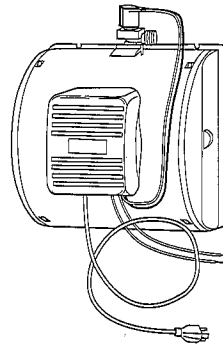
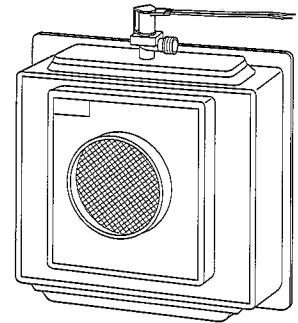


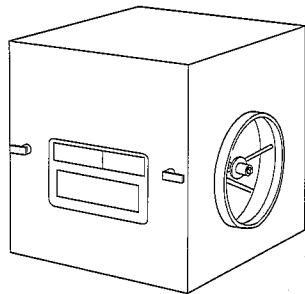
913B



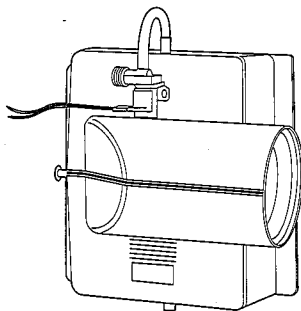
913C



912D



914A



912E

All Bryant humidifiers are designed for easy installation and quiet operation with heat pumps as well as upflow, downflow, or horizontal furnaces. Humid air is circulated throughout the home by the central heating system. All Bryant humidifiers are equipped with a humidistat to maintain the desired humidity level. Access to the media pad in the humidifier is convenient and tools are not required, allowing easy pad replacement.

The fan-powered humidifiers, Model 913B and 913C, are designed for simple installation on supply ductwork, without a bypass duct required. Humidity is achieved by drawing heated supply air through a wet media pad, by means of the humidifier's fan. The 913B offers high evaporation rate, up to 25 gallons of moisture per day. For smaller, tighter constructed, or well insulated homes, the 913C can deliver up to 16 gallons of moisture per day.

The by-pass humidifiers, Model 912D and 912E, are designed for installation on the supply or return ductwork, by means of a bypass duct on a forced air heating system. Bypass humidifiers operate on the pressure differential between supply and return ductwork, bypassing heated supply air through the wet media pad, and back into the return air. The 912D offers up to 18 gallons of moisture per day with front bypass duct discharge. The 912E can deliver up to 17 gallons of moisture per day and has a reversible side bypass duct discharge.

The humidifiers mentioned are constructed of high-impact, Noryl thermoplastic to provide years of durability. Mineral buildup is reduced by continual flushing with fresh water. The water valves are low-voltage DC solenoid valves, offering quiet operation. The voltage is then rectified to AC for installation.

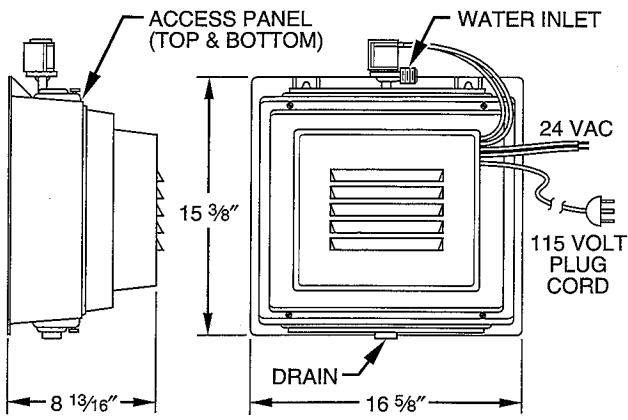
The Model 914A is rated up to 19 gallons of moisture per day and because of its no-drain construction, it is perfect for areas where hard water is not a problem. This Model is a bypass humidifier and is reversible for right or left duct runs. A rotating foam drum is operated by a synchronous motor and a float valve maintains the water level to keep the drum wet. An observation window allows for convenient visual maintenance checks.

## SPECIFICATIONS

MODEL	912E	912D	913B	913C	914A
<b>ARI CAPACITY*</b>					
Gallons/Day @ 140° (Lbs/hr)	17 (5.9)	18 (6.3)	25 (8.7)	16 (5.9)	19 (6.6)
Gallons/Day @ 120° (Lbs/hr)	12.8 (4.4)	13.5 (4.7)	18.8 (6.5)	12.8 (4.5)	14.3 (5.0)
<b>TYPE</b>					
Airflow	Bypass		Fan		Bypass
Waterflow	Drain Through				No drain
<b>GENERAL</b>					
Evaporator Pad-Replacement	L2-02623-2	L2-02623-1		L2-02623-3	L2-02950-1
Material of Evap Pad	Treated Expanded Aluminum				Polyether Foam
Size (H x W x D) of Evap Pad	10-7/8 x 10-7/16 x 1-3/4	14 x 10-5/8 x 1-3/4		9-3/4 x 9-1/4 x 1-1/4	9 Dia x 8-7/8
Pad Access	Side (Right or Left) with Snap Latch	Top and Bottom with Thumbscrew		Side (Right or Left) and Front Access	Front with 2 Pawl Latches
Unit Size (H x W x D)	13-3/4 x 13-3/4 x 7-5/16	15-3/8 x 16-5/8 x 5-13/16	15-3/8 x 16-5/8 x 8-13/16	12.5 x 12 x 10.18	11-1/2 x 11-7/8 x 11-7/8
Weight (Lb)	8	7.4	14	10	11.4
Water Usage (Gal/hr)	3.3		3.2		Float Controlled
<b>ELECTRICAL CONTROL</b>					
Low-Voltage Terminals					
Volts	24 VAC				
Amps (MAX)	0.50				0.13
VA (MAX)	12				3
Watts	10				3
High Voltage Cord					
Volts	NA	115V - 1PH - 60HZ			NA
Amps	NA	1.00	1.9	NA	
<b>CONNECTIONS</b>					
Water Inlet	1/4-in. Tubing or 3/4-in. Garden Hose				1/4-in. Tubing
Water Drain	5/8-in. Tubing	1/2-in. Tubing		5/8-in. tube	1/2-in. Tubing
Duct	6-in. Round, Right/Left	6-in. Round, Front	NA		6-in. Round, Right/Left
Duct Opening (In) (W x H)	11-1/2 x 11-3/4	15-1/2 x 13-1/2	15-1/2 x 13-1/2	11.50 x 11.00	11-7/8 x 11-1/2
<b>MATERIALS</b>					
Cabinet	Silver Sage				
Material	High Temperature, Thermoplastic (Noryl)				Prepainted Galvanized Steel
Valve	Nylon				Polypropylene
Water Pan	NA				Polypropylene
Drum	NA				Polypropylene
<b>STANDARD EQUIPMENT</b>					
Water Valve	Solenoid, 24 VDC		Solenoid, 24 VDC Converted to 24VAC		Float
Rectifier, 24 VAC	24 VAC, 24 VDC		NA		
Motor	NA		Thermally Protected 115 VAC, 1/.60 Hp	Thermally Protected 115 VAC, 25MHP	24 VAC, Synchronous
Relay	NA		SPST†, 24 VAC	SPST, 24VDC to AC	NA
Humidistat	SPST				
Saddle Valve	Standard				
Transformer	120 to 24 VAC, 12 VA	NA			120 to 24 VAC, 12 VA
Damper	Standard	NA			
Template	Standard				
Mounting Hardware	Standard				

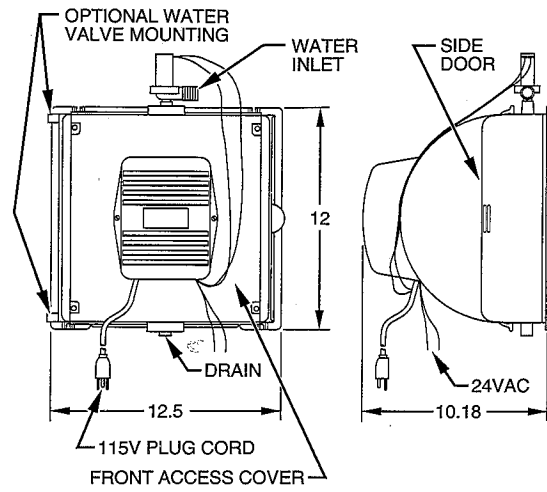
\* Per ARI Standard 610, 60°F water, 0.20 in. wc.

† Single pole, single throw.



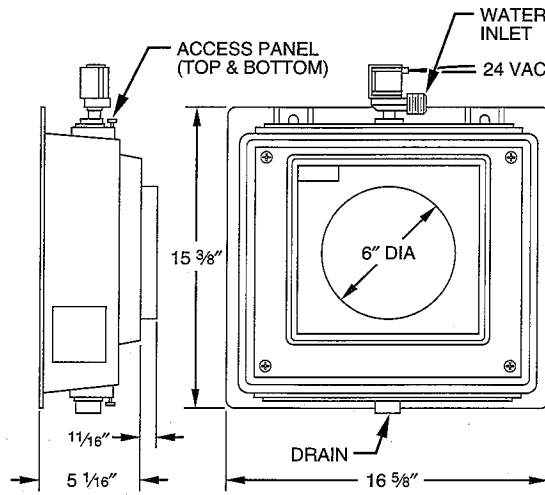
A96481

**Model 913B**



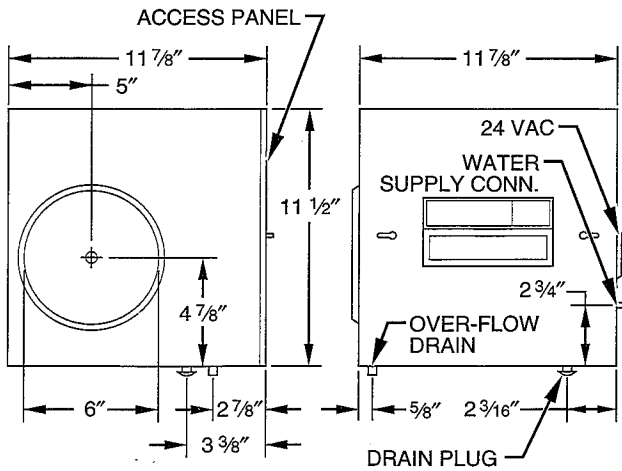
A96482

**Model 913C**



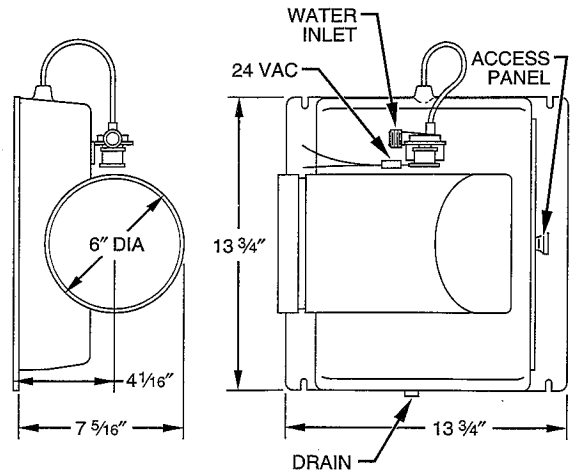
A96483

**Model 912D**



A96484

**Model 914A**



A96485

**Model 912E**

**RECOMMENDED RELATIVE HUMIDITY  
BY OUTDOOR TEMPERATURE**

OUTDOOR TEMP (°F)	OUTDOOR RELATIVE HUMIDITY (%)	INDOOR RELATIVE HUMIDITY (%) W/O HUMIDIFIER*	MAXIMUM RECOMMENDED INDOOR RELATIVE HUMIDITY†
-10	30 to 70	1 to 2	20 (Lo)
0	30 to 70	2 to 4	25
10	30 to 70	3 to 6	30
20	30 to 70	4 to 10	35
30	30 to 70	6 to 15	40 (Med)

\* Indoor relative humidity level when outdoor air is heated to 72°F.

† As stipulated by the Air Conditioning Contractors of America.

**INDOOR RELATIVE HUMIDITY LIMIT  
FOR NO WINDOW CONDENSATION  
(Indoor Air at 74°F Dry Bulb)**

OUTDOOR TEMPERATURE (°F)	SINGLE PANE WINDOWS (%)	DOUBLE PANE WINDOWS (%)
40	39	59
30	29	50
20	21	43
10	15	36
0	10	30
-10	7	26
-20	5	21
-30	3	17

**MAXIMUM MOISTURE REQUIREMENTS\***

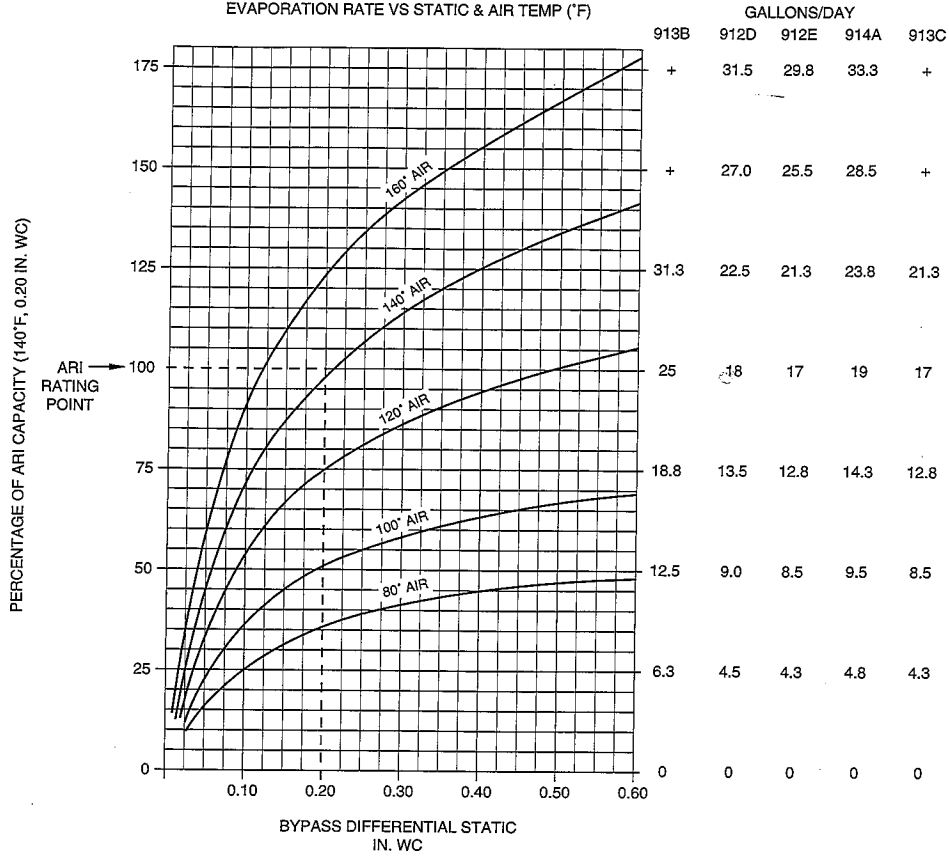
VOLUME OF RESIDENCE (CU FT)	TIGHT HOUSE		AVERAGE HOUSE	
	Pounds Per Hour	Gallons Per Day	Pounds Per Hour	Gallons Per Day
8,000	1.76	5.09	3.52	10.17
10,000	2.21	6.35	4.41	12.72
12,000	2.64	7.63	5.29	15.26
14,000	3.09	8.91	5.92	17.08
16,000	3.53	10.18	7.06	20.35
18,000	3.97	11.45	7.94	22.89
20,000	4.41	12.72	8.82	25.44
22,000	4.85	13.99	9.71	27.98
24,000	5.29	15.27	10.59	30.52
26,000	5.74	16.54	11.47	33.07
28,000	6.18	17.81	12.35	35.61
30,000	6.62	19.08	13.24	38.16

\* Based on design conditions of outdoor 20°F dry bulb, 80% RH; indoor 70°F dry bulb, 40% RH, and minimum moisture production from residential operations for an absolute humidity difference of 0.0049 lbs/hr.

**NOTE:** Tight house is defined as being well insulated, having vapor barriers, tight storm doors and windows with weatherstripping, and having dampered fireplaces.

Average house is defined as being insulated, having vapor barriers, loose storm doors and windows, and having dampered fireplaces.

EVAPORATION RATE VS STATIC & AIR TEMP (°F)

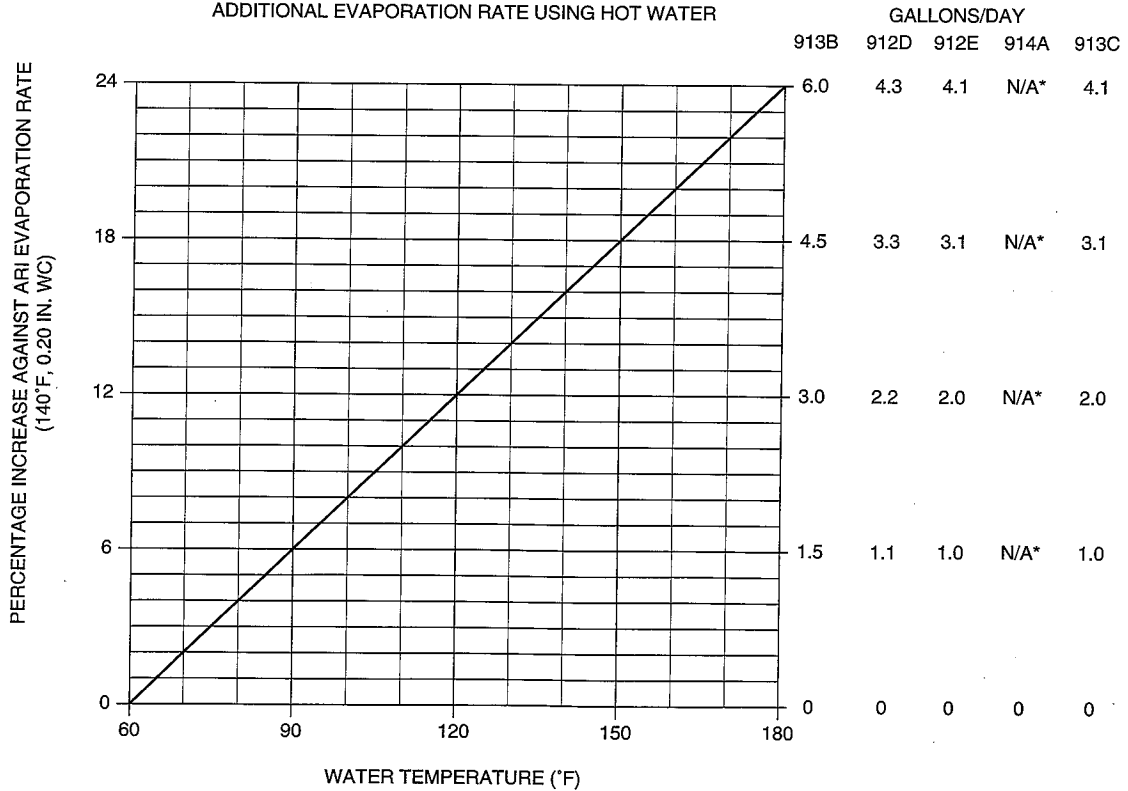


+ FAN UNIT CAPACITY VARIES ONLY W/AIR TEMP. AT 0.20 STATIC POINT

NOTE: DUCT STATIC HAS NO EFFECT ON 913B

A96488

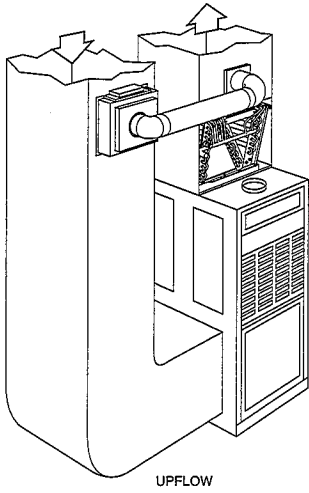
ADDITIONAL EVAPORATION RATE USING HOT WATER



NOTE: 914A, NO DRAIN = 0% (USE OF HOT WATER HAS LITTLE OR NO EFFECT DUE TO NON-FLOW THRU DESIGN OF 914A)

A96489

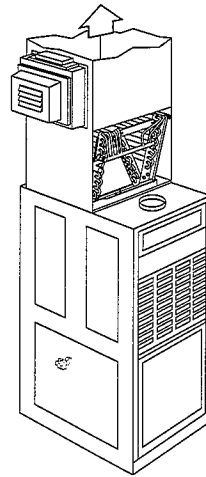
**TYPICAL HUMIDIFIER INSTALLATIONS**



UPFLOW

A96492

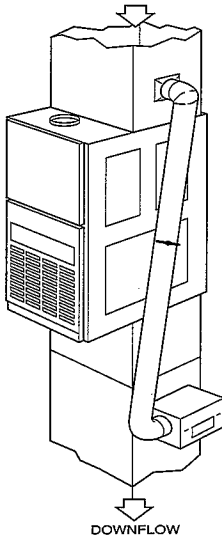
**MODEL 912D IN A HORIZONTAL INSTALLATION**



UPFLOW

A96493

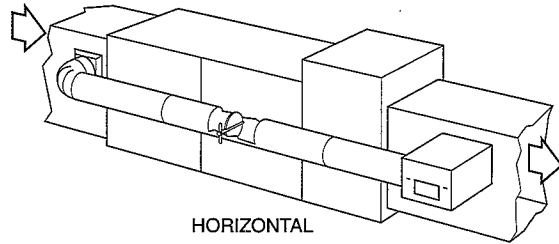
**MODEL 913B IN AN UPFLOW INSTALLATION**



DOWNFLOW

A96490

**MODEL 914A IN A DOWNFLOW INSTALLATION**



HORIZONTAL

A96491

**MODEL 914A IN AN UPFLOW INSTALLATION**



# SERVICE TRAINING

**Packaged Service Training** programs are an excellent way to increase your knowledge of the equipment discussed in this manual, including:

- Unit Familiarization
- Maintenance
- Installation Overview
- Operating Sequence

A large selection of product, theory, and skills programs is available, using popular video-based formats and materials. All include video and/or slides, plus companion book.

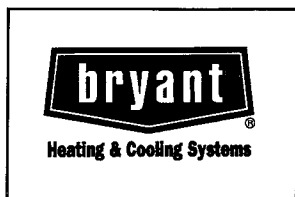
**Classroom Service Training** plus "hands-on" the products in our labs can mean increased confidence that really pays dividends in faster troubleshooting, fewer callbacks. Course descriptions and schedules are in our catalog.

**CALL FOR FREE CATALOG 1-800-962-9212**

Packaged Service Training

Classroom Service Training

A94328



SPECIFICATIONS SUBJECT TO CHANGE WITHOUT NOTICE

UNIT MUST BE INSTALLED IN ACCORDANCE  
WITH INSTALLATION INSTRUCTIONS

Cancels: PDS 912F.52.1B