

Model CH2009
Pre-Charged Pneumatic Airgun
OWNER'S MANUAL

READ ALL INSTRUCTIONS AND WARNINGS IN THIS MANUAL BEFORE USING THIS AIRGUN



Crosman Corporation
7629 Rts. 5 & 20
Bloomfield, NY 14469
800-7-AIRGUN (724-7486)
www.crosman.com

CH2009A515

⚠ WARNING: NOT A TOY. THIS AIRGUN IS RECOMMENDED FOR ADULT USE ONLY. MISUSE OR CARELESS USE MAY CAUSE SERIOUS INJURY OR DEATH. MAY BE DANGEROUS UP TO 600 YARDS (549 METERS).

⚠ WARNING: DO NOT BRANDISH OR DISPLAY THIS AIRGUN IN PUBLIC—IT MAY CONFUSE PEOPLE AND MAY BE A CRIME. POLICE AND OTHERS MAY THINK IT IS A FIREARM. DO NOT CHANGE THE COLORATION AND MARKINGS TO MAKE IT LOOK MORE LIKE A FIREARM. THAT IS DANGEROUS AND MAY BE A CRIME.

YOU AND OTHERS WITH YOU SHOULD ALWAYS WEAR SHOOTING GLASSES TO PROTECT YOUR EYES.

READ ALL INSTRUCTIONS BEFORE USING.

BUYER AND USER HAVE THE DUTY TO OBEY ALL LAWS ABOUT THE USE AND OWNERSHIP OF THIS AIRGUN.

THIS AIRGUN IS INTENDED FOR USE BY ADULTS ONLY

⚠ WARNING: LEAD PELLETS. DO NOT INHALE DUST OR PUT PELLETS IN MOUTH. WASH HANDS AFTER HANDLING. THIS PRODUCT CONTAINS LEAD, A CHEMICAL KNOWN TO THE STATE OF CALIFORNIA TO CAUSE CANCER AND BIRTH DEFECTS (OR OTHER REPRODUCTIVE HARM.)

⚠ WARNING: USE ONLY COMPRESSED AIR IN THIS AIRGUN. WHEN USING CROSMAN'S OPTIONAL CO₂ ADAPTER YOU MAY USE CO₂. USE NO OTHER GASSES—INCLUDING OXYGEN, WHICH CAN CAUSE A FIRE OR EXPLOSION THAT MAY RESULT IN SERIOUS INJURY OR DEATH.

Please read this owner's manual completely. And remember that an airgun is not a toy. Always carefully follow the safety instructions found in this owner's manual and keep the manual in a safe place for future use. If you have any questions regarding the operation of your new airgun, please contact

Crosman at 1-800-724-7486.

⚠ WARNING: BECAUSE THIS AIRGUN HAS AN ADJUSTABLE MATCH GRADE TRIGGER, IT COULD FIRE WHEN DROPPED OR JARRED, WITH OR WITHOUT THE SAFETY ENGAGED.

1. Learning the Parts of your New Airgun

Learning the names and parts of your new airgun will help you understand your owner's manual.



A. Bolt B. Hammer spring adjustment knob C. Hammer/ Striker travel adjustment (internal- accessed through Hammer spring adjustment knob) D. Safety E. Protective cap for fill nipple F. Fill nipple G. Pressure gauge H. Trigger I. Trigger guard J. Barrel K. Muzzle L. Stock

Your new airgun is unique because it operates on either air or CO₂. To fill and shoot with CO₂, an optional CO₂ fill adapter must be purchased. This owner's manual describes operating the gun with air, only. The manual that comes with Crosman's CO₂ adapter describes operation on CO₂.

2. Operating the Safety

A. To Put the Airgun "ON SAFE:"

- Locate the safety in front of the trigger.
- The letters "F" (fire) and "S" (safe) on the bottom of the trigger guard also indicate the appropriate position of the safety.
- Push the safety towards the trigger to put the safety on. The safety is on, and the airgun is "ON SAFE" when the lever is in the rear position (near the trigger). (Fig. 2A)

Even when the safety is on, you should continue to handle the airgun safely. Don't point the gun at anything you don't intend to shoot.

Like all mechanical devices, an airgun safety can fail. Even when the safety is "ON SAFE", you should continue to handle the airgun safely. NEVER point the airgun at any person. NEVER point the airgun at anything you do not intend to shoot

B. To Take the Airgun "OFF SAFE"

Push the safety to the forward position (away from the trigger). When the airgun is "OFF SAFE" it is ready to be fired after following the instructions in this manual on how to fill and load. (Fig. 2B)



2A

3. Pressurizing the Airgun

NOTE: Operation instructions for CO₂ operation are contained in the manual that comes with the CO₂ adapter.

⚠ WARNING: USE ONLY COMPRESSED AIR IN THIS AIRGUN. WHEN USING CROSMAN'S OPTIONAL CO₂ ADAPTER YOU MAY USE CO₂. USE NO OTHER GASSES—INCLUDING OXYGEN, WHICH CAN CAUSE A FIRE OR EXPLOSION THAT MAY RESULT IN SERIOUS INJURY OR DEATH.

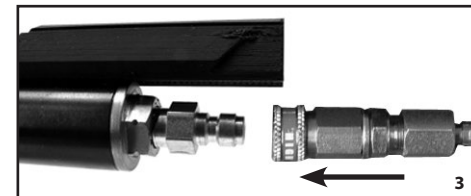
A. Pressurizing (Filling) the Airgun with a Hand Pump

- Be sure to wear eye protection
- Make sure the airgun is unloaded and not cocked. (See section 5 for instructions on unloading and un-cocking.)
- Read all instructions with your hand pump so you are familiar with its operation. Use only a pump designed for filling a pre-charged airgun and outfitted with a Foster #12FS quick disconnect fitting. Do not use a standard air compressor or bicycle pump.
- Put the airgun "ON SAFE" (see section 2A).
- Point the airgun in a SAFE DIRECTION.
- Pull off the protective cap that covers the fill nipple on the airgun.
- Connect the quick-disconnect fitting on the hand pump hose to the fill nipple (fig. 3) by
 - Pulling back and holding the knurled ring
 - Connecting the fitting over the fill nipple.
 - Releasing the knurled ring.
- Make certain the bleed valve on the hand pump is fully closed (tighten in a clockwise direction) (fig.4).
- Start pumping and continue until the gauge needles on your pump and on the airgun are between 1000 psi and 2000 psi depending on your desired tune.

DO NOT fill the air gun to more than 2000 psi (138 bar). See "Overfill" information (section 3C).



2B



3

⚠ WARNING: DISCONNECTING THE FILL HOSE FROM THE AIRGUN WITHOUT BLEEDING THE AIR FIRST MAY RESULT IN INJURY FROM HOSE WHIP AS A RESULT OF PRESSURE IN THE FILL HOSE.

- Open the bleed screw on the pump base rapidly in a counter-clockwise direction to COMPLETELY bleed the hose. You must bleed the fill hose COMPLETELY to avoid hose whip from pressure in the fill hose.
- Disconnect the pump from the fill nipple on the gun
- Replace the cap over the fill nipple. Always keep the fill nipple capped to eliminate the possibility of dirt entering the check valve.

B. Pressurizing (Filling) the Airgun with a High Pressure Tank

The CH2009 may be filled from a high pressure tank (bottle). Scuba tanks and other high pressure tanks can be outfitted for the task. Make certain that only clean, dry, compressed air is used in your filling apparatus. A reputable dive shop or paintball shop is best suited to fill and service tanks and bottles used for filling your PCP airgun.

- Be sure to wear eye protection
- Make sure the airgun is unloaded and not cocked. (See section 5 for instructions on unloading and un-cocking.)
- Read all instructions with your tank and hose adaptor so you are familiar with its operation.
- Put the airgun "ON SAFE" (see section 2A).
- Point the airgun in a SAFE DIRECTION.
- Remove the protective cap that covers the fill nipple on the airgun.
- Connect the quick-disconnect fitting on the tank's hose to the fill nipple (fig. 3).

NOTE: the fitting must be a Foster #12FS quick disconnect fitting.

- Slowly open the valve on your tank and start filling the gun SLOWLY. Filling too quickly will cause heat buildup that can affect accuracy of the fill pressure.
- Watch the gauges on the airgun and your tank (if equipped) until the desired pressure is reached (1000-2000 psi)

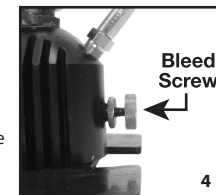
DO NOT fill the airgun to more than 2000 psi. See "Overfill" information in section 3C.

- Turn the valve on your tank off when the desired fill pressure is reached.
- Follow instructions with your tank and hose to BLEED the fill hose COMPLETELY to avoid hose whip from pressure in the fill hose
- Disconnect the tank's fill hose from the fill nipple on the airgun.
- Replace the cap over the fill nipple and tighten. Always keep the fill nipple capped to eliminate the possibility of dirt entering the check valve.

TIP: If your airgun is being filled from completely empty (zero pressure) the tension of the hammer pressing against the valve may keep the valve open which will cause air to leak down the barrel. This is most likely to happen with a gun where the hammer spring is adjusted to a high rate. In the event this occurs try cocking the bolt and leaving it in the rear (fully open) position to eliminate the force on the valve allowing it to close. Always make certain the airgun is not loaded and there is not a pellet in the chamber.

C. Overfill:

- Over filling beyond the "as tuned" best fill pressure does not improve performance. It will actually lessen performance and may cause the valve to lock. If you discover that the airgun has been over filled, try to dry fire the airgun (cock and shoot with no pellet loaded) in a SAFE DIRECTION until pressure on your airgun drops to 2,000 psi or less depending on where your gun's tuned best fill pressure is.
- If the airgun will not discharge air with each shot, the valve may be completely pressure locked and will require use of the degassing tool included with your airgun. Follow the instructions included with the degassing tool, or see section 4B on degassing tool method.



Bleed Screw

4



5

4. Depressurizing the airgun:

Your CH2009 airgun, like most PCP airguns, is best stored with some pressure in the reservoir. This keeps the seals in the airgun forced against the sealing surfaces. In the event you want or need to depressurize (e.g. for service) follow the following steps:

A. Dry Fire Method:

- Keep the air rifle pointed in a SAFE DIRECTION.
- Remove all the air from your air rifle by repeatedly cocking and dry-firing with the air rifle pointed in a SAFE DIRECTION until the pressure gauge on your airgun shows no pressure and air cannot be heard when the shot is fired.
- Put the air gun "ON SAFE" see section 2A.

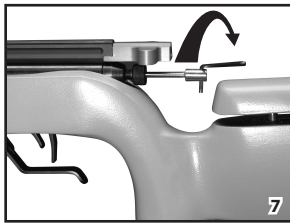
B. Degassing tool method:

CAUTION: Failure to ensure the gun is NOT cocked when using the degassing tool WILL cause damage to the sear mechanism in the trigger.

- Make certain the airgun is not in the cocked position by:
 - Pointing the airgun in a SAFE DIRECTION.
 - Closing the airgun bolt by sliding forward and latching.
 - Pulling the trigger.

Note: If you have raised your cheek piece, you may need to lower the cheek piece in order to use the degassing tool.

- Insert the degassing tool, (included with your CH2009), into the hammer spring adjustment knob as shown in figure 6.
- Turn the tool in to the airgun in a clockwise direction until resistance is felt. This will indicate the nose of the tool has come in contact with the hammer.



WARNING: PERFORMING THE FOLLOWING PROCEDURE WILL EXHAUST AIR FROM THE BARREL AT A HIGH RATE. MAKE CERTAIN THE AIRGUN IS POINTED IN A SAFE DIRECTION.

- Using an Allen wrench or screwdriver through the hole in the degassing tool apply leverage to turn the tool clockwise and force the internal valve open. This may require approximately 1-2 complete turns to totally degas the airgun.
- Remove the degassing tool completely from the airgun. Leaving the tool in the airgun will interfere with the normal operation of the firing mechanism.
- Cock the airgun and dry-fire (no pellet) in a SAFE DIRECTION to make certain all pressure has been relieved from the airgun.
- Check the gauge to make certain all pressure has been relieved from the airgun.

5. Cocking, Loading, Unloading and Un-cocking the Airgun

WARNING: USE .177 CALIBER PELLETS ONLY IN YOUR CH2009. NEVER REUSE AMMUNITION. USE OF ANY OTHER AMMUNITION CAN CAUSE INJURY TO YOU OR DAMAGE TO THE AIRGUN.

A. Cocking and Loading Pellets

- Put the airgun "ON SAFE." (See Section 2A).
- Point the airgun in a SAFE DIRECTION.
- Be sure your airgun is properly pressurized (see section 3).
- Open the bolt by pulling the bolt handle all the way back (fig 8).
- With the bolt in the rearward position, place one pellet, nose first, into the loading port (breach). This is a single shot pellet airgun. Load no more than one pellet at a time.
- Lightly push the pellet into the barrel by pushing the bolt handle all the way forward to lock. DO NOT jam the bolt forward. This will damage your airgun.
- Be sure the bolt is completely closed and locked before firing. If it is not closed and locked, the pellet may not be discharged.



B. Unloading Pellets and Un-cocking Your Air Gun

Unloading

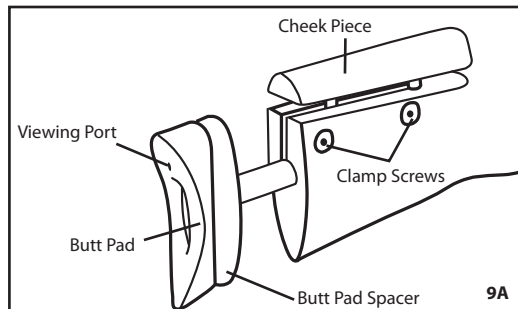
- The most common way to unload a pellet is to fire your airgun in a SAFE DIRECTION following the section on Aiming and Firing Safely. If a pellet has become lodged in the barrel follow the steps in section 8 removing a Jammed Pellet.

Un-cocking

- To un-cock the action, take the airgun "OFF SAFE." With the muzzle pointed in a SAFE DIRECTION, open the bolt and pull all the way to the rear. Holding the bolt handle securely, pull the trigger with your other hand and ease the bolt as far forward as it will go with your hand. You may now release the bolt and the airgun is un-cocked.
- Put the airgun "ON SAFE"

6. Adjusting The Stock

- Your CH2009 is designed with a stock with an adjustable cheek piece and butt pad.
- Make sure the airgun is "ON SAFE." (See Section 2A) and pointed in a SAFE DIRECTION.
- Loosen the two clamp screws located below the cheek piece using a 5/32 Allen head wrench. (fig 9A)
- **CHEEK PIECE:** Pull up on the cheek piece to adjust for height. To adjust the cheek piece downward, place your hand on the top of the cheek piece only and push down, being careful not to pinch your fingers.
- **BUTT PAD- Horizontal:** Pull out on the butt pad to desired position. Tighten the clamp screws to lock into position.

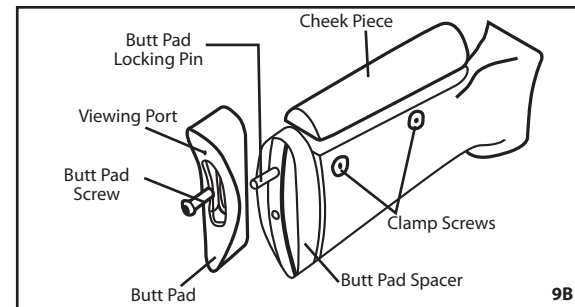


- When you are finished with the cheek piece and/or the horizontal butt pad adjustments tighten the clamp screws.

- **BUTT PAD- Vertical:** Loosen the butt pad screw using a 5/32 Allen head wrench. Slide the butt pad up or down to desired position.

- A butt pad locking pin has been provided to comply with some competition regulations that prohibit vertical butt pad adjustment. A viewing port has also been provided to allow for visual verification of the use of the butt pad locking pin. The locking pin is stored inside the butt pad. To locate the locking pin on the inside of the butt pad, the pad must be removed.

- **TO LOCK THE BUTT PAD:** (See fig 9B) Remove the butt pad to locate the pin underneath. Remove the pin, and insert in the top hole of the butt. Replace the butt pad. Insert and tighten the butt pad screw.



7. Aiming and Firing Safely

A. Aiming the Airgun

- Always point your airgun in a SAFE DIRECTION.
- Follow the instructions for filling the air gun (section 3A) and loading pellets (section 5).
- You and others with you should always wear shooting glasses to protect your eyes.
- Do not shoot at hard surfaces or at the surface of water. The pellet may bounce off or ricochet and hit someone or something you had not intended to hit.
- Always choose your target carefully. It is best to shoot at paper bull's-eye targets which are attached to a safe backstop. A heavy blanket should be hung behind the backstop to prevent ricochet should you miss the backstop.
- Your airgun is designed for target shooting and is suited for both indoor and outdoor use. Always remember to place your target carefully. THINK about what you will hit if you miss the target.
- Before firing the air gun make certain there is sufficient pressure for proper operation. The gauge needle should be pointing to an area in the green zone on the gauge.

8. Removing a Jammed Pellet

A jammed pellet is usually the result of trying to fire the airgun when the pressure is too low. Before firing the airgun make certain there is sufficient pressure for proper operation. The gauge needle should be pointing to an area in the green zone on the gauge.

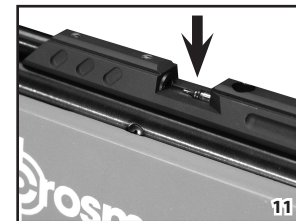
WARNING: IN THIS PROCEDURE YOU WILL PUT A CLEANING ROD DOWN THE BARREL OF A CHARGED AIRGUN. IT IS EXTREMELY IMPORTANT THAT WHILE YOU ARE DOING THIS THE AIRGUN BE "ON SAFE"; THE BOLT REMAINS IN OPEN POSITION AND THAT YOUR FINGER BE KEPT AWAY FROM THE TRIGGER. FAILURE TO FOLLOW THIS WARNING MAY RESULT IN SERIOUS INJURY OR DEATH.

- Point the airgun in a SAFE DIRECTION.
- Put the airgun "ON SAFE" (see section 2A.)
- Open the bolt by pulling it all the way back until you hear two clicks.
- With the bolt in the rearward position insert a ramrod of the proper size into the barrel (start at the muzzle). The barrel could be damaged if the proper sized cleaning rod is not used.
- Using the ramrod push the pellet into the pellet loading port (forward of the bolt) see fig 10, remove and discard the pellet. Do not reuse that pellet.
- Point the airgun in a SAFE DIRECTION, close the action, take "OFF SAFE" and fire. Put the airgun "ON SAFE".
- If you are not able to unjam your airgun by following this procedure, take no further action. Crosman Corporation or an Authorized Service Station will unjam your airgun. (no cost during the warranty period)



9. Maintaining Your Airgun

- Apply Crosman silicone chamber oil (part number RMCOIL) on the barrel o-ring every 3 months or 500 shots. Apply with a cotton swab as shown in figure 11.
- Apply a dry powder graphite lube (not included) to the sliding bolt mechanism every three months or 800 shots.
 - First, pull back the T-handle bolt.
 - Apply the graphite powder sparingly to the bolt, then slide it back into the receiver.
 - Repeat this procedure a few times to allow the lubricant to migrate into the bolt wear surfaces.
- Keep all petroleum-based lubricants away from the fill nipple. They MUST NOT be introduced into the high pressure reservoir.



WARNING: USE OF PETROLEUM-BASED LUBRICANTS IN THIS AREA COULD RESULT IN AN EXPLOSION RESULTING IN PERSONAL INJURY.

- DO NOT MODIFY OR ALTER YOUR AIRGUN. Attempts to modify the airgun in any way inconsistent with this manual may make your airgun unsafe to use, cause serious injury or death, and will void the warranty.
- If you drop your airgun, visually check to see that it works properly before you use it again. If anything seems changed, like a shorter or weaker trigger pull, this may mean worn out or broken parts. Call Crosman customer service for assistance before using your airgun again.

⚠ WARNING: DO NOT ATTEMPT TO REPAIR THE AIRGUN OR TO DISASSEMBLE TO CORRECT AN OVER FILL OR VALVE LOCK. PARTS CAN FLY FROM THE AIRGUN AT DANGEROUS SPEEDS WHEN IT IS DISASSEMBLED WHILE PRESSURIZED.

10. Advanced Tuning Techniques

A. Trigger Adjustment

The CH2009 trigger assembly can be adjusted and customized but unless you are experienced in making such adjustments, Crosman recommends that these adjustments to factory settings be made only by a qualified gunsmith after reading all instructions. Adjusting the trigger assembly can result in a light trigger pull, decreased sear engagement that could make the gun more susceptible to discharge when dropped or jarred, or a non-functioning safety. Make only the adjustments identified in this manual.

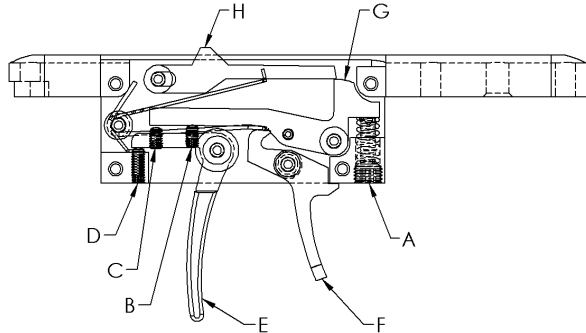
NOTE: these adjustment features are for advanced shooters. Most shooters can use the settings provided during manufacturing of the gun and should not need to make modifications.

- The match grade trigger on your pellet air rifle is a two stage, fully adjustable unit. It has been factory set to an efficient setting that will suit most hunting and target uses. If you, as the owner, wish to alter the factory settings you should do so only after reading the following instructions carefully.
- Put the air rifle "ON SAFE", remove the clip and keep the airgun pointed in a SAFE DIRECTION.
- Depressurize the airgun (see section 4)
- Remove the stock screw, (fig 11). Using a $\frac{3}{16}$ " Allen wrench, to separate the stock from the action. Do not remove the trigger guard screws as the trigger guard should remain with the stock.

Do not remove the trigger guard screws as the trigger guard should remain with the stock.

⚠ WARNING: ADJUSTMENT OF TRIGGER SCREW (B) COULD INHIBIT PROPER FUNCTION OF THE SAFETY LEVER (F). THUS, ALWAYS CHECK FOR FULL ENGAGEMENT AND SMOOTH FUNCTION OF THE SAFETY LEVER UPON COMPLETION OF ANY CHANGES TO THE TRIGGER SCREW. IF YOU ARE NOT SURE IF THE SAFETY IS ENGAGING AND OPERATING PROPERLY, TAKE YOUR GUN TO AN EXPERIENCED GUNSMITH.

⚠ WARNING: ADJUSTMENT TO THE TRIGGER ASSEMBLY COULD ALLOW THIS AIRGUN TO FIRE IF DROPPED OR JARRED, WITH OR WITHOUT THE SAFETY ENGAGED.



A. TRIGGER WEIGHT ADJUSTER B. FIRST STAGE ADJUSTER C. SECOND STAGE ADJUSTER
D. TRIGGER POSITION E. TRIGGER F. SAFETY LEVER G. LINK H. SEAR

- **Trigger Pull** Using a $\frac{1}{8}$ " Allen wrench turn the adjuster screw (A) clockwise to increase trigger pull weight and counterclockwise to decrease trigger pull weight. This adjustment will not affect sear engagement.
- **Trigger Position** Using a .050" Allen wrench the trigger position at rest can be adjusted. Turn screw (D) clockwise to move the trigger back and counter clockwise to move the trigger forward. This adjustment could affect sear engagement, and therefore could allow the gun to fire when dropped or jarred.
- **Trigger Stages** Using a .050" Allen wrench for adjustment of screws (B) and (C), changes can be made to the position and length of first and second stages of the trigger motion. These adjustments could affect sear engagement, and therefore could allow the gun to fire when dropped or jarred.
 - **Screw (B)** changes the first stage. Turning screw (B) clockwise will increase the length of the first stage and decrease the sear engagement. Turning counter clockwise will decrease the length of the first stage and increase the sear engagement.
 - **Screw (C)** changes the second stage. Turning screw (C) clockwise will cause the second stage to occur sooner while turning counterclockwise will cause the second stage to occur later.
 - **Adjustment of screws (B) and (C)** should be done in harmony with each other as they work together to create the trigger's profile. Start slowly to understand what each adjustment does and its relationship to the other.
- **Trigger Maintenance** The trigger is assembled with a moly graphite EP grease that should last for years. In the event your trigger becomes contaminated with debris and is not functioning properly, contact a qualified gunsmith to examine for repair or maintenance.
 - After adjusting your trigger, always check that the trigger and safety are functioning properly. If you are not sure if the trigger or safety is operating properly, take your gun to an experienced gunsmith.
 - Re-insert the action into the stock, and replace and tighten the stock screw.

B. Adjusting the Hammer Energy

The CH2009 is designed to be tuned to work at various fill pressures up to 2000 psi (138 bar) The gun is factory tuned to allow minimum velocity deviation and maximum shot count. However, a shooter may decide to adjust the hammer energy to meet his or her needs. This is done by adjustment of the hammer spring preload and hammer stroke length. In either case the

adjustment changes the amount of energy the hammer generates when striking the valve. It is advised to always record your settings when tuning your rifle.

- The CH2009 has been factory set to suit most hunting and target uses. If you, as the owner, wish to alter the factory settings you should do so only after reading the following instructions carefully

Generally, setting the knob at a position so there is a .25 inch view of threads visible between the hammer spring adjustment knob and the receiver will achieve minimum velocity deviation and maximum shot output. (fig 12)

Hammer Spring Preload

To increase the energy, turn the hammer spring adjustment knob clockwise (fig 12), up to 6 revolutions.

NOTE: More revolutions will simply cause the adjuster to spin but will not yield any higher force. Increasing the preload will be required to facilitate use of higher fill pressures.

Hammer Stroke Length

The striker can be adjusted using a $\frac{1}{8}$ " Allen wrench. Insert the wrench into the hole in the hammer spring adjustment knob and push the wrench all the way in. Turning the striker clockwise will shorten the hammer stroke and turning counter clockwise will lengthen (fig 13) the stroke. A long stroke length will yield higher hammer energy while a short stroke length will yield lower hammer energy. The striker can be adjusted inward by up to 12 revolutions.

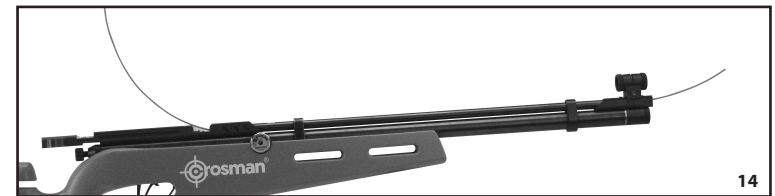
If during tuning you are not sure which direction to move, or need to start over, turn the allen wrench counter-clockwise until it reaches a hard stop. This will give you a point of reference to start over. Turning the wrench out clockwise from this position about 4 $\frac{1}{2}$ turns and then turning the knob to a .25 inch gap will bring the adjustments back to a point near the factory preset.

TIP! Too little hammer energy at high fill pressures may result in very low velocities which is the result of partial valve lock.

- Tuning the rifle to obtain various velocity profiles can be achieved through use of these adjustment points and should be done in harmony with each other. Start slow to understand how each one affects the rifle's performance. Experience and testing is the best way to understand these capabilities.

11. Reviewing Safety

- Never point the airgun at any person or at anything you do not intend to shoot.
 - Always treat the airgun as though it is loaded and with the same respect you would a firearm.
 - Always aim in a SAFE DIRECTION. Always keep the muzzle of the airgun pointed in a SAFE DIRECTION.
 - Always keep the airgun on safe until you are ready to shoot.
 - Always check to see if the airgun is "ON SAFE" (see section 2A) and unloaded when getting it from another person or from storage.
 - Always keep your finger off the trigger and out of the trigger guard until ready to shoot.
 - You and others with you should always wear shooting glasses to protect your eyes.
 - If your reading or prescription glasses are not safety glasses, make sure you wear shooting glasses over your regular glasses.
 - Use .177 caliber (4.5mm) pellets only in your Model CH2009. NEVER reuse ammunition.
 - Do not shoot at hard surfaces or at the surface of water. The pellet may bounce off or ricochet and hit someone or something you had not intended to hit.
 - Place the backstop in a location that will be safe should the backstop fail.
 - Your backstop should be checked for wear before and after each use. All backstops are subject to wear and will eventually fail. Replace your backstop if the surface is worn or damaged or if a ricochet occurs.
 - Do not attempt to disassemble or tamper with your airgun. Use an Authorized Service Station. Using unauthorized repair centers or modifying the function of your airgun in any way may be unsafe and will void your warranty.
 - Before you store your airgun make sure it is not loaded or cocked. Store this airgun charged with air or CO₂ to keep the valves closed against dirt.
 - Whenever you store the airgun, make sure it is "ON SAFE" (see section 2A).
- NOTE:** When using a CBI (CLEAR BARREL INDICATOR)
- Put the gun "ON SAFE" (sec 2A) and point in a SAFE DIRECTION.
 - Pull the bolt back one click, then insert the device into the breech as shown.
- NOTE:** you do not want to pull the bolt back all the way
- If you do pull the bolt all the way back, you will need to follow section 5B-on uncocking your air rifle.



SPECIFICATIONS

Mechanism	Bolt action single shot
Power Source	Compressed air or CO ₂ (one or the other)
Caliber/Ammunition	.177 caliber lead pellet
Weight	7.1 lb
Length	38"- 41.5"
Barrel	Lothar Walther
Safety	Ambidextrous Lever

PERFORMANCE

Many factors affect velocity, including brand of projectile and weight of projectile.

Your CH2009 has been designed for quiet shooting. However when using light weight pellets the sound barrier may be broken resulting in a loud muzzle report.

DO NOT RETURN THIS PRODUCT TO THE STORE.

Our friendly customer service representatives will be glad to help. You can get answers to frequently asked questions at www.crosman.com or you can contact us directly at 1-800-7AIRGUN (1-800-724-7486)

REPAIR SERVICE

If your airgun needs repair, we recommend you take or send it to your nearest Crosman Authorized Service Station. DO NOT ATTEMPT TO DISASSEMBLE IT! Your airgun requires special tools and fixtures to repair it. Any disassembly or modification not performed by an Authorized Service Station will void the warranty.

A SPECIAL CUSTOMER SERVICE

Crosman Authorized Service Stations will unjam your airgun at no cost during the warranty period.

LIMITED ONE YEAR WARRANTY

This product is warranted to the retail consumer for one year from date of retail purchase against defects in material and workmanship and is transferable. To register the serial number of your airgun, please return the airgun registration form. The warranty is not conditioned on the return of the card. You should retain the original sales receipt as record of date of purchase.

WHAT IS COVERED

Replacement parts and labor. Transportation charges to consumer for repaired product.

WHAT IS NOT COVERED

Transportation charges to Authorized Service Station for defective product. Damages caused by abuse, modification or failure to perform normal maintenance – see Owner's Manual. Any other expense. CONSEQUENTIAL DAMAGES, INCIDENTAL DAMAGES, OR INCIDENTAL EXPENSES INCLUDING DAMAGE TO PROPERTY. SOME STATES DO NOT ALLOW THE EXCLUSION OR LIMITATION OF INCIDENTAL OR CONSEQUENTIAL DAMAGES SO THE ABOVE LIMITATION OR EXCLUSION MAY NOT APPLY TO YOU.

HOW TO OBTAIN WARRANTY PERFORMANCE

U.S. Customers- Locate nearest service station (see www.Crosman.com or call Crosman customer service at 800-724-7486 for list of stations). The service station will give you details of how to proceed with sending the item in for repair. You must contact the station prior to shipping your product.

International Customers- Please return product to your nearest distributor. If you do not know your distributor, please call 585-657-6161 and ask for our International Department for assistance.

IMPLIED WARRANTIES

ANY IMPLIED WARRANTIES INCLUDING THE IMPLIED WARRANTIES OF MERCHANTABILITY AND FITNESS FOR A PARTICULAR PURPOSE ARE LIMITED IN DURATION TO ONE YEAR FROM DATE OF RETAIL PURCHASE. SOME STATES DO NOT ALLOW LIMITATIONS ON HOW LONG AN IMPLIED WARRANTY LASTS SO THE ABOVE LIMITATIONS MAY NOT APPLY TO YOU.

To the extent any provision of this warranty is prohibited by federal, state or municipal law, which cannot be preempted, it shall not be applicable. This warranty gives you specific legal rights and you may also have other rights, which vary, from state to state.

CROSMAN and Benjamin are registered trademarks of Crosman Corporation in the United States.

Modelo CH2009 Rifle De Aire Neumático Precargado MANUAL DEL PROPIETARIO

LEA TODAS LAS INSTRUCCIONES Y ADVERTENCIAS DE ESTE MANUAL ANTES DE USAR ESTE RIFLE DE AIRE



Crosman Corporation
7629 Rts. 5 & 20
Bloomfield, NY 14469
800-7-AIRGUN (724-7486)
www.crosman.com

ADVERTENCIA: NO ES UN JUGUETE. ESTE RIFLE DE AIRE SE RECOMIENDA SÓLO PARA SER USADO POR ADULTOS. EL USO INCORRECTO O CON DESCUIDO PUEDE CAUSAR LESIONES GRAVES O LA MUERTE. PUEDE SER PELIGROSO HASTA A 549 METROS (600 YARDAS).

ADVERTENCIA: NO BLANDA NI MUESTRE ESTE RIFLE DE AIRE EN PÚBLICO, PUEDE CONFUNDIR A LA GENTE Y PODRÍA SER DELITO. LA POLICÍA Y OTRAS PERSONAS PUEDEN PENSAR QUE SE TRATA DE UN ARMA DE FUEGO. NO CAMBIE LA COLORACIÓN O LAS MARCAS DE MODO QUE TENGA UN MAYOR PARECIDO CON UN ARMA DE FUEGO. ES PELIGROSO Y PODRÍA TRATARSE DE UN DELITO.

USTED Y LAS DEMÁS PERSONAS DEBEN USAR SIEMPRE LENTES DE TIRO PARA PROTEGER SUS OJOS.
LEA TODAS LAS INSTRUCCIONES ANTES DE USARLO.

EL COMPRADOR Y EL USUARIO TIENEN EL DEBER DE OBEDECER TODAS LAS LEYES RELATIVAS AL USO Y PROPIEDAD DE ESTE RIFLE DE AIRE.

ESTE RIFLE DE AIRE SE RECOMIENDA SÓLO PARA SER USADO POR ADULTOS

ADVERTENCIA: DIÁBOLOS DE PLOMO. NO INHALE EL POLVO NI SE PONGA LOS DIÁBOLOS EN LA BOCA. LÁVESE LAS MANOS DESPUÉS DE MANIPULARLO. ESTE PRODUCTO CONTIENE PLOMO, UNA SUSTANCIA QUÍMICA QUE EN EL ESTADO DE CALIFORNIA SE HA DETERMINADO QUE CAUSA CÁNCER Y DEFECTOS CONGÉNITOS (U OTROS DAÑOS A LA REPRODUCCIÓN)

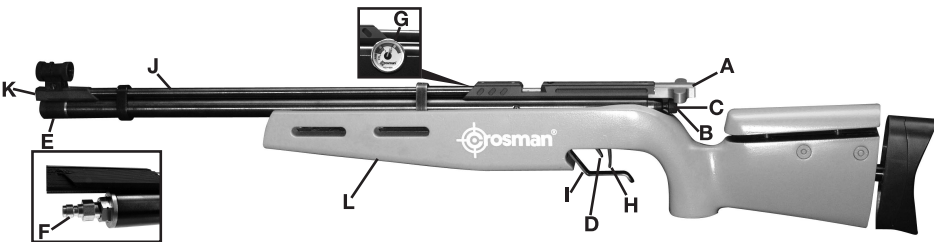
ADVERTENCIA: USE ÚNICAMENTE AIRE COMPRIMIDO EN ESTE RIFLE DE AIRE. AL USAR EL ADAPTADOR OPCIONAL DE CO₂ DE CROSMAN, PUEDE USAR CO₂. NO USE OTROS GASES, ENTRE ELLOS EL OXÍGENO, QUE PUEDAN CAUSAR UN INCENDIO O EXPLOSIÓN Y DAR COMO RESULTADO GRAVES LESIONES O LA MUERTE.

Por favor lea por completo este manual del usuario. Y recuerde que un rifle de aire no es un juguete. Siempre siga cuidadosamente las instrucciones de seguridad que se encuentran en este manual del propietario y consérvelo en lugar seguro para utilizarlo en el futuro. Si tiene preguntas sobre su nuevo rifle de aire, comuníquese con Crosman al 1-800-724-7486.

ADVERTENCIA: DEBIDO A QUE ESTE RIFLE DE AIRE TIENE UN GATILLO AJUSTABLE DE GRADO DE COMPETENCIA, PODRÍA DISPARARSE AL CAER O AL SACUDIRSE, CON O SIN EL SEGURO PUESTO

1. Aprender las partes de su nuevo rifle de aire

Aprenderse los nombres de las partes de su nuevo rifle de aire le ayudará a entender el manual del propietario.



A. Cerrojo B. Perilla de ajuste del resorte del martillo C. Ajuste del recorrido del martillo/percutor (interno, se accede a él mediante la perilla de ajuste del resorte del martillo) D. Seguro E. Tapón protector del niple de llenado F. Niple de llenado G. Manómetro H. Gatillo I. Guardamonte J. Cañón K. Boca L. Culata

Su nuevo rifle de aire es singular porque funciona ya sea con aire comprimido o con CO₂. Para llenarlo y dispararlo con CO₂, debe adquirirse un adaptador de llenado de CO₂ opcional. Este manual del propietario describe únicamente el funcionamiento del rifle con aire comprimido. El manual que viene con el adaptador de CO₂ de Crosman describe el funcionamiento con CO₂.

2. Operación del seguro

A. Para poner el seguro del rifle de aire en posición de activado ("ON SAFE").

- Encuentre el seguro delante del gatillo.
- Las letras "F" (fuego) y "S" (seguro) en la parte inferior del guardamonte también indican la posición correcta del seguro.
- Empuje el seguro hacia el gatillo. El seguro está activado y el rifle de aire suave está "ON SAFE" cuando la palanca está en la posición más retrasada (cerca del gatillo). (Fig. 2A)

Incluso con el seguro activado, debe seguir manipulando con seguridad el rifle de aire. NUNCA apunte con el rifle a nada a lo que no tenga intención de dispararle.

Como todos los dispositivos mecánicos, el seguro de las armas de aire puede fallar. Incluso con el seguro activado ("ON SAFE"), debe seguir manipulando con seguridad el rifle de aire. NUNCA apunte el rifle de aire a una persona. NUNCA apunte con el arma de aire a nada a lo que no tenga intención de dispararle

B. Para poner el seguro del rifle de aire en posición de desactivado ("OFF SAFE").

Empuje el seguro hacia la posición delantera (alejado del gatillo). Cuando el rifle de aire está con el seguro desactivado ("OFF SAFE") está listo para dispararse después de seguir las instrucciones de este manual sobre cómo llenar y cargar. (Fig. 2C)



3. Presurizar el rifle de aire

NOTA: Las instrucciones de operación para el CO₂ están contenidas en el manual que viene con el adaptador de CO₂.

ADVERTENCIA: USE ÚNICAMENTE AIRE COMPRIMIDO EN ESTE RIFLE DE AIRE. AL USAR EL ADAPTADOR OPCIONAL DE CO₂ DE CROSMAN, PUEDE USAR CO₂. NO USE OTROS GASES, ENTRE ELLOS EL OXÍGENO, LOS CUALES PUEDEN CAUSAR UN INCENDIO O EXPLOSIÓN Y DAR COMO RESULTADO GRAVES LESIONES O LA MUERTE.

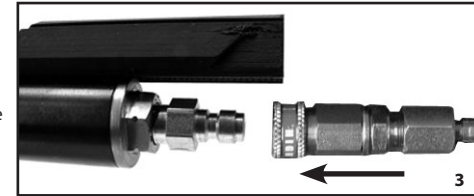
A. Presurizar (llenar) el rifle de aire con una bomba de mano

- Asegúrese de utilizar protección para los ojos
- Cerciórese de que el rifle de aire esté descargado y no amartillado. (Vea la sección 5 para obtener instrucciones sobre cómo descargar y desamartillar.)
- Lea todas las instrucciones que vienen con su bomba manual, para familiarizarse con su operación. Use únicamente una bomba diseñada para llenar un rifle de aire precargado y dotado de un conector de desconexión rápida Foster #12FS. No use una compresora de aire común ni una bomba de bicicleta.
- Active el seguro del rifle de aire ("ON SAFE"). (Consulte la Sección 2A).
- Apunte el rifle de aire en una DIRECCIÓN SEGURA.
- Quite el tapón protector que cubre el niple de llenado del rifle de aire.
- Conecte el aditamento de desconexión rápida de la manguera de la bomba manual al niple de llenado (fig. 3.)



Haciendo Lo Siguiente:

- o Tirando hacia atrás y sosteniendo el anillo rugoso
- o Conectando el aditamento sobre el niple de llenado.
- o Soltando el anillo rugoso
- Asegúrese de que la válvula de purga de la bomba de mano esté totalmente cerrada (apriétela en dirección de las manecillas del reloj) (fig. 4).
- Empezee a bombear y continúe hasta que las agujas del manómetro de su bomba y del rifle de aire estén entre 1000 psi y 2000 psi según su afinación deseada.



NO llene el rifle de aire a más de 2000 psi (138 bar). Vea la información sobre "Llenado en exceso" (sección 3C).

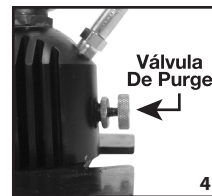
ADVERTENCIA: DESCONECTAR LA MANGUERA DE LLENADO DEL RIFLE DE AIRE SIN PURGAR EL AIRE PRIMERO PUEDE OCASIONAR LESIONES POR LATIGAZOS DE LA MANGUERA COMO RESULTADO DE LA PRESIÓN QUE QUEDA EN LA MANGUERA DE LLENADO.

- Abra el tornillo purgador de la base de la bomba rápidamente en sentido contrario al de las manecillas del reloj para purgar COMPLETAMENTE la manguera. Debe purgar la manguera de llenado COMPLETAMENTE para evitar que latiguee por tener presión.
- Desconecte la bomba del niple de llenado del rifle.
- Vuelva a colocar el tapón sobre el niple de llenado. Mantenga siempre el niple de llenado tapado para eliminar la posibilidad de que entre suciedad a la válvula de retención.

B. Presurizar (llenar) el rifle de aire con un tanque

El CH2009 se puede llenar desde un tanque (botella) de alta presión. Se pueden adaptar tanques de buceo y otros tanques de alta presión para cumplir esta tarea. Asegúrese de que sólo se use aire comprimido limpio y seco en su aparato de llenado. Una tienda de buceo o de paintball prestigiosa es la más adecuada para rellenar y dar servicio a tanques y botellas utilizadas para rellenar su rifle de aire PCR.

- Asegúrese de utilizar protección para los ojos
- Cerciórese de que el rifle de aire esté descargado y no amartillado. (Vea la sección 5 para obtener instrucciones sobre cómo descargar y desamartillar.)
- Lea todas las instrucciones que vienen con su tanque y adaptador de manguera, para familiarizarse con su operación.
- Active el seguro del rifle de aire ("ON SAFE"). (Consulte la Sección 2A).
- Apunte el rifle de aire en una DIRECCIÓN SEGURA.
- Quite el tapón protector que cubre el niple de llenado del rifle de aire.
- Conecte el aditamento de desconexión rápida de la manguera de la bomba manual al niple de llenado (fig. 3).



NOTA: el aditamento debe ser un aditamento de desconexión rápida Foster #12FS.

- Lentamente, abra la válvula de su tanque y empiece a llenar el rifle LENTAMENTE. Llenar demasiado rápido ocasionará una acumulación de calor que puede afectar la precisión de la presión de llenado.
- Observe los manómetros del rifle de aire y de su tanque (si están equipados con ellos) hasta alcanzar la presión deseada (1000-2000 psi)

NO llene el rifle de aire a más de 2000 psi. Vea la información sobre "Llenado en exceso" en la sección 3C.

- Cierre la válvula de su tanque cuando se llegue a la presión de llenado deseada.
- Siga las instrucciones que vienen con su tanque y manguera para PURGAR la manguera de llenado COMPLETAMENTE para evitar que latiguee por tener presión.
- Desconecte la manguera de llenado del tanque del niple de llenado del rifle de aire.
- Vuelva a colocar el tapón sobre el niple de llenado y apriételo. Mantenga siempre el niple de llenado tapado para eliminar la posibilidad de que entre suciedad a la válvula de retención.

SUGERENCIA: Si está llenando su rifle de aire estando éste totalmente vacío (presión cero), la tensión del martillo presionando contra la válvula puede mantener la válvula abierta, lo que hará que escape aire hacia el cañón. Es más probable que esto ocurra con un rifle en el que el resorte del martillo esté ajustado a una alta proporción. En caso de que esto ocurra, intente amartillar el cerrojo y dejarlo en posición trasera (totalmente abierto) para eliminar la fuerza sobre la válvula, permitiéndole cerrarse. Asegúrese de que el rifle de aire no esté cargado y no tenga un diábolo en la recámara.



C. Llenado en exceso:

- El llenado en exceso más allá de la mejor presión de llenado "según la afinación" no mejora el desempeño. De hecho, puede disminuir el desempeño y ocasionar que se bloquee la válvula. Si descubre que se ha llenado en exceso el rifle de aire, intente dispararlo en seco (amartille y dispare sin cargar diábolos) en una DIRECCIÓN SEGURA hasta que la presión de su rifle de aire caiga a 2,000 psi o menos, dependiendo de cuál sea la mejor presión de llenado afinada de su rifle.
- Si el rifle de aire no descarga aire con cada disparo, la válvula puede estar completamente bloqueada por la presión y requerirá el uso de la herramienta de desgasado incluida con su rifle de aire. Siga las instrucciones incluidas con la herramienta de desgasado o vea la sección 4B sobre el método de la herramienta de desgasado.

4. Despresurizar el rifle de aire

Su rifle de aire CH2009, como la mayoría de los rifles de aire PCP, es mejor guardarlo con algo de presión en el depósito. Esto mantiene los sellos del rifle de aire presionados contra las superficies de sellado. En caso de que desee o tenga que despresurizar (por ejemplo, para darle servicio), siga los pasos que aparecen a continuación:

A. Método de disparo en seco:

- Mantenga el rifle de aire apuntado en una DIRECCIÓN SEGURA.
- Extraiga todo el aire de su rifle de aire amartillando y disparando en seco repetidamente con el rifle apuntado en una DIRECCIÓN SEGURA hasta que el manómetro de su rifle de aire muestre que no hay presión y no se pueda escuchar aire cuando se hace el disparo.
- Active el seguro del rifle de aire ("ON SAFE"). Consulte la Sección 2A.

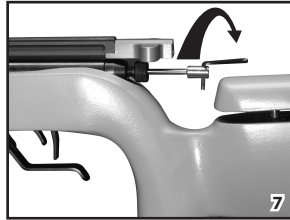
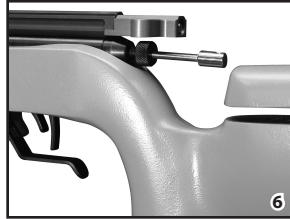
B. Método de la herramienta de desgasado:

PRECAUCIÓN: No asegurarse de que el rifle NO esté amartillado al usar la herramienta de desgasado PROVOCARÁ daños al mecanismo del fiador en el gatillo.

- Asegúrese de que el rifle de aire no esté en posición de amartillado:
 - o Apuntado el rifle de aire en una DIRECCIÓN SEGURA.
 - o Cerrando el cerrojo del rifle de aire deslizándolo hacia delante y asegurándolo.
 - o Tirando del gatillo.

NOTA: Si ha levantado la pieza para la mejilla, quizá tenga que bajarla para usar la herramienta de desgasado.

- Inserte la herramienta de desgasado (incluida con su rifle de aire CH2009) en la perilla de ajuste del resorte del martillo como se muestra en la figura 6.
- Introduzca la herramienta en el rifle de aire girándola en dirección de las manecillas del reloj, hasta que sienta resistencia. Esto indicará que la punta de la herramienta ha entrado en contacto con el martillo.



ADVERTENCIA: REALIZAR EL PROCEDIMIENTO SIGUIENTE EXPULSARÁ EL AIRE DEL CAÑÓN A GRAN VELOCIDAD. ASEGÚRESE DE QUE EL RIFLE DE AIRE ESTÉ APUNTADO EN UNA DIRECCIÓN SEGURA.

- Usando una llave Allen o un destornillador a través del orificio de la herramienta de desgasado, haga palanca para girar la herramienta en el sentido de las manecillas del reloj y forzar a que se abra la válvula interna. Esto puede requerir aproximadamente 1 ó 2 vueltas completas para desgasar totalmente el rifle de aire.
- Quite la herramienta de desgasado completamente del rifle de aire. Dejar la herramienta en el rifle de aire interferirá con la operación normal del mecanismo de disparo.
- Amartille el rifle de aire y dispare en seco (sin diábolos) en una DIRECCIÓN SEGURA para asegurarse de que se ha liberado toda la presión del rifle de aire.
- Compruebe el manómetro para confirmar que se haya liberado toda la presión del rifle de aire.

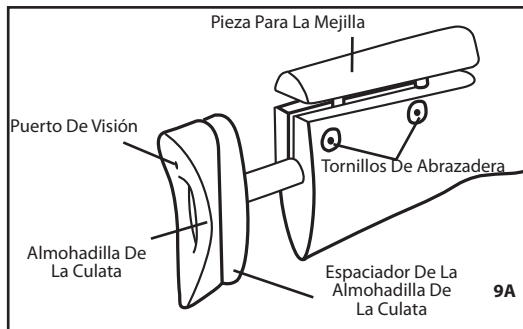


5. Amartillado, carga, descarga y desamartillado del rifle de aire

ADVERTENCIA: USE ÚNICAMENTE DIÁBOLOS DE CALIBRE .177 EN EL CH2009. NUNCA REUTILICE LA MUNICIÓN. EL USO DE CUALQUIER OTRO TIPO DE MUNICIÓN PUEDE CAUSARLE LESIONES O DAÑAR EL RIFLE DE AIRE.

A. Amartillado y carga de los diábolos

- Active el seguro del rifle de aire ("ON SAFE"). (Consulte la Sección 2A).
- Apunte el rifle de aire en una DIRECCIÓN SEGURA.
- Cuides que su rifle de aire esté debidamente presurizado (consulte la sección 3).
- Abra el cerrojo tirando de la palanca del cerrojo totalmente hacia atrás (fig. 8).
- Con el cerrojo en la posición más trasera, coloque un diábolos, empezando por la nariz, en el puerto de carga (recámara). Este es un rifle de aire de diábolos de un solo tiro. No cargue más de un diábolos a la vez.
- Introduzca ligeramente el diábolos en el interior del cañón empujando totalmente hacia delante la palanca del cerrojo, para asegurarlo en su sitio. NO meta a la fuerza el cerrojo hacia delante. Esto podría dañar el rifle de aire.
- Cuides que el cerrojo esté totalmente cerrado y asegurado antes de disparar. Si no está cerrado y completamente bloqueado, el diábolos podría no dispararse.



B. Descarga de los diábolos y desamartillado de su rifle de aire

Descarga

- La forma más común de descargar un diábolos es disparar el rifle de aire en una DIRECCIÓN SEGURA siguiendo las indicaciones de la sección sobre Apuntar y disparar con seguridad. Si un diábolos se atasca en el cañón, siga los pasos de la sección 8 Extraer un diábolos atascado.

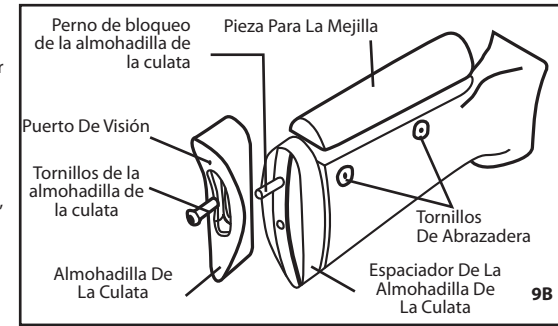
Desamartillado

- Para desamartillar la acción, desactive el seguro del rifle de aire ("OFF SAFE"). Con el cañón apuntado en una DIRECCIÓN SEGURA, abra el cerrojo y tire completamente hacia atrás. Sosteniendo firmemente la palanca del cerrojo, tire del gatillo con su otra mano y lentamente lleve hacia delante el cerrojo con la mano tanto como avance. Ahora puede bajar el cerrojo y el rifle de aire estará desamartillado.
- Ponga el rifle de aire "ON SAFE" (Seguro activado).

6. AJUSTE DE LA CULATA

Su CH2009 está diseñado con una culata que tiene una pieza para la mejilla y una almohadilla de cacha ajustables.

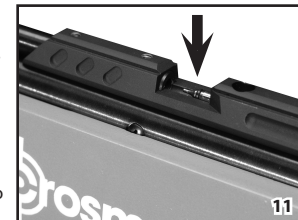
- Cuides que esté activado el seguro del rifle de aire ("ON SAFE") (consulte la Sección 2A) y que esté apuntado en una DIRECCIÓN SEGURA.
- Con una llave Allen de 5/32, afloje los dos tornillos de abrazadera que están situados debajo de la pieza para la mejilla. (fig. 9A)
- **PIEZA PARA LA MEJILLA:** Tire hacia arriba en la pieza para la mejilla con objeto de ajustar la altura. Para ajustar hacia abajo la pieza para la mejilla, coloque la mano en la parte superior de la pieza para la mejilla y empuje hacia abajo, cuidando de no pellizcarse los dedos.
- **ALMOHADILLA DE LA CULATA-Horizontal:** Tire hacia fuera de la almohadilla de la culata hasta la posición deseada. Apriete los tornillos de abrazadera para bloquearla en su posición.
- Cuando haya terminado con los ajustes a la pieza para la mejilla y/o la almohadilla horizontal de la culata, apriete los tornillos de abrazadera.
- **ALMOHADILLA DE LA CULATA-Vertical:** Con una llave Allen de 5/32, afloje el tornillo de la almohadilla de la culata. Deslice la almohadilla de la culata hacia arriba o hacia abajo a la posición deseada.
- Se proporciona un perno de fijación de la almohadilla de la culata para cumplir con algunos reglamentos de competencia que prohíben el ajuste vertical de la almohadilla de la culata. También se ha proporcionado un puerto de visión para permitir la verificación visual del uso del perno de fijación de la almohadilla de la culata. El perno de fijación se encuentra dentro de la almohadilla de la culata. Para ubicar el perno de fijación de la culata en el interior de la almohadilla, debe quitarse ésta.
- **PARA BLOQUEAR LA ALMOHADILLA DE LA CULATA:** (Vea la fig. 9B) Quite la almohadilla de la culata para ubicar el perno que está debajo. Quite el perno e insértelo en el orificio superior de la culata. Vuelva a colocar la almohadilla de la culata. Insértelo y apriete el tornillo de la almohadilla de la culata.



7. Apuntar y disparar con seguridad

A. Apuntar el rifle de aire

- Siempre apunte el rifle de aire en una DIRECCIÓN SEGURA.
- Siga las instrucciones para llenar el rifle de aire (sección 3A o 3B) y cargar los diábolos (sección 5A y 5B).
- Usted y las demás personas deben siempre usar anteojos de tiro para proteger sus ojos.
- No dispare a superficies duras o a la superficie del agua. El diábolos puede rebotar y golpear a alguien o algo que usted no tenía intención de tocar.
- Elija siempre su blanco con cuidado. Es mejor disparar contra dianas de papel que se hayan fijado a un respaldo seguro. Debe colgarse una manta gruesa detrás del respaldo para evitar rebotes en caso de que no atine al respaldo.
- Su rifle de aire está diseñado para tiro al blanco y es adecuado para usarse bajo techo o al aire libre. Recuerde siempre colocar su blanco con cuidado. PIENSE en lo que puede golpear si no atina al blanco.
- Antes de disparar el rifle de aire, asegúrese de que hay suficiente presión para su operación correcta. La aguja del manómetro debe estar apuntando a un área en la zona verde del manómetro.



B. Extracción de un diábolos atorado

Un diábolos atascado es habitualmente resultado de los intentos de disparar el rifle de aire con la presión demasiado baja. Antes de disparar el rifle de aire, asegúrese de que hay suficiente presión para su operación correcta. La aguja del manómetro debe estar apuntando a un área en la zona verde del manómetro.

ADVERTENCIA: EN ESTE PROCEDIMIENTO METERÁ UNA BAQUETA DE LIMPIEZA POR EL CAÑÓN DE UN RIFLE DE AIRE CARGADO. ES EN EXTREMO IMPORTANTE QUE MIENTRAS ESTÉ HACIENDO ESTO EL RIFLE DE AIRE TENGA EL SEGURO ACTIVADO ("ON SAFE"), QUE EL CERROJO PERMANEZCA EN POSICIÓN ABIERTA Y QUE MANTENGA EL DEDO APARTADO DEL GATILLO. NO RESPETAR ESTA ADVERTENCIA PODRÍA CAUSAR LESIONES GRAVES O LA MUERTE.

- Apunte el rifle de aire en una DIRECCIÓN SEGURA.
- Active el seguro del rifle de aire ("ON SAFE") (vea la Sección 2A).
- Abra el cerrojo tirando de él completamente hacia atrás hasta que escuche dos clics.
- Con el cerrojo en la posición más trasera, inserte una baqueta del tamaño adecuado en el cañón (empezando por la boca). Se puede dañar el cañón si no se usa una baqueta de limpieza del tamaño correcto.

- Con la baqueta, empuje el diábolo al puerto de carga de diábolos (frente del cerrojo), vea la fig. 10, quite y deseche el diábolo. No vuelva a utilizar ese diábolo.
- Apunte el rifle de aire en una DIRECCIÓN SEGURA, cierre la acción, desactive el seguro (póngalo en "OFF SAFE") y dispare. Ponga el rifle de aire "ON SAFE" (Seguro activado).
- Si no puede desatascar el rifle de aire siguiendo este procedimiento, no emprenda ninguna otra acción. Crosman Corporation o una Estación de servicio autorizada le desatascarán el rifle (no tiene costo durante el período de garantía).

9. Mantenimiento de su rifle de aire

- Ponga aceite de recámara de silicón Crosman (número de pieza RMCOIL) en la junta tórica del cañón cada 3 meses o cada 500 disparos. Aplíquelo con una torunda de algodón, como se muestra en la figura 11.
- Aplique un lubricante seco de grafito en polvo (no incluido) en el mecanismo de cerrojo deslizante cada tres meses u 800 tiros.
 - Primero, tire hacia atrás del cerrojo de manija en T.
 - Aplique el polvo de grafito con moderación en el cerrojo y luego deslícelo nuevamente al interior del receptor.
 - Repita este procedimiento varias veces para permitir que el lubricante pase a las superficies de desgaste del cerrojo.
- Mantenga todos los lubricantes a base de petróleo apartados del niple de llenado. NO DEBEN introducirse en el depósito de alta presión.

ADVERTENCIA: EL USO DE LUBRICANTES A BASE DE PETRÓLEO EN ESTA ÁREA PODRÍA DAR COMO RESULTADO UNA EXPLOSIÓN QUE PROVOQUE LESIONES PERSONALES.

- NO MODIFIQUE NI ALTERE EL RIFLE DE AIRE. Los intentos de modificar el rifle de aire de cualquier forma que no esté indicada en este manual pueden hacer que el rifle de aire no sea seguro para usarse, ocasionar graves lesiones o la muerte, y anular la garantía.
- Si su rifle de aire se cae, revise visualmente que funcione correctamente antes de volverlo a usar. Si parece que cualquier cosa ha cambiado, como que el gatillo esté más suave o más duro, puede ser indicación de piezas desgastadas o rotas. Llame a servicio al cliente de Crosman para obtener ayuda antes de volver a usar el rifle de aire.

ADVERTENCIA: NO INTENTE REPARAR EL RIFLE DE AIRE NI DESARMARLO PARA CORREGIR UN LLENADO EN EXCESO O UN BLOQUEO DE VÁLVULA. PUEDEN SALIR PIEZAS VOLANDO DEL RIFLE DE AIRE A VELOCIDADES PELIGROSAS CUANDO SE DESARMA MIENTRAS ESTÁ PRESURIZADO.

10. Técnicas avanzadas de afinación

A. Ajuste del conjunto del gatillo

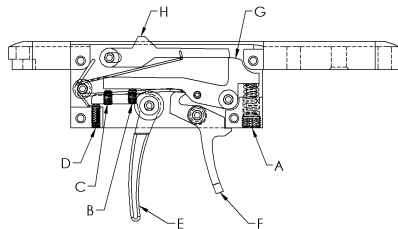
El conjunto del gatillo del CH2009 se puede ajustar y personalizar, pero a menos que usted tenga experiencia en la realización de tales ajustes, Crosman recomienda que estos ajustes a los valores de fábrica sean realizados sólo por un armero calificado después de leer todas las instrucciones. Ajustar el conjunto del gatillo puede dar como resultado una poca resistencia del gatillo, menor enganche del fiador que podría causar que se dispare al caerse o sacudirse, o que el seguro no funcione. Haga únicamente los ajustes identificados en este manual.

NOTA: estas funciones de ajuste son para tiradores avanzados. La mayoría de los tiradores pueden usar la configuración proporcionada durante la fabricación del rifle, y no deberían tener que hacer modificaciones.

- El gatillo de calidad de competencia de su rifle de aire de diábolos es una unidad de dos etapas totalmente ajustable. Se ha ajustado de fábrica a un estado eficiente que será adecuado para la mayoría de los usos de cacería y tiro al blanco. Si usted, como propietario, desea alterar los ajustes de fábrica, debe hacerlo únicamente después de leer cuidadosamente las siguientes instrucciones.
- Active el seguro del rifle de aire ("ON SAFE"), quite el cargador y mantenga el rifle apuntado en una DIRECCIÓN SEGURA.
- Despresurice el rifle de aire (vea la sección 4)
- Quite el tornillo de la culata (Fig. 11) (con una llave Allen de 3/16" para separar la culata del accionador. No quite los tornillos del guardamonte ya que éste debe permanecer con la culata.

ADVERTENCIA: EL AJUSTE DEL TORNILLO DEL GATILLO (B) PODRÍA IMPEDIR LA FUNCIÓN ADECUADA DE LA PALANCA DEL SEGURO (F). POR TANTO, COMPRUEBE SIEMPRE EL ENGANCHE COMPLETO Y EL FUNCIONAMIENTO SUAVE DE LA PALANCA DEL SEGURO AL FINALIZAR CUALQUIER CAMBIO EN ESTOS TORNILLOS DE AJUSTE. SI NO ESTÁ SEGURO DE QUE EL SEGURO SE ESTÉ ENGANCHANDO Y FUNCIONANDO CORRECTAMENTE, LLEVE SU ARMA A UN ARMERO EXPERIMENTADO.

ADVERTENCIA: LOS AJUSTES AL CONJUNTO DEL GATILLO PODRÍAN HACER QUE ESTE RIFLE DE AIRE SE DISPARE AL CAER O AL SACUDIRSE, CON O SIN EL SEGURO PUESTO.



A. AJUSTADOR DEL PESO DEL GATILLO B. AJUSTADOR DE LA PRIMERA ETAPA C. AJUSTADOR DE LA SEGUNDA ETAPA D. POSICIÓN DEL GATILLO E. GATILLO F. PALANCA DEL SEGURO G. ESLABÓN H. FIADOR

- **Resistencia del gatillo** Con una llave Allen de 1/8" gire el tornillo de ajuste (A) en el sentido de las manecillas del reloj para aumentar la fuerza de resistencia del gatillo y en sentido contrario al de las manecillas del reloj para disminuir la fuerza de resistencia del gatillo. Este ajuste no afectará el enganche del fiador.
- **Posición del gatillo** Con una llave Allen de .050" se puede ajustar la posición del gatillo en descanso. Gire el tornillo (D) en el sentido de las manecillas del reloj para mover el gatillo hacia atrás y en sentido contrario a las manecillas del reloj para moverlo hacia adelante. Este ajuste podría afectar el enganche del fiador, y por tanto podría hacer que el rifle se dispare al caerse o sacudirse.
- **Etapas del gatillo** Con una llave Allen de .050" para los tornillos (B) y (C), se pueden hacer cambios a la posición y longitud de la primera y segunda etapas del movimiento del gatillo. Estos ajustes podrían afectar el enganche del fiador, y por tanto podrían hacer que el rifle se dispare al caerse o sacudirse.
 - **El tornillo (B)** cambia la primera etapa. Girar el tornillo (B) en el sentido de las manecillas del reloj aumentará la longitud de la primera etapa y disminuirá el enganche del fiador. Girarlo en sentido contrario al de las manecillas del reloj disminuirá la longitud de la primera etapa y aumentará el enganche del fiador.
 - **El tornillo (C)** cambia la segunda etapa. Girar el tornillo (C) en el sentido de las manecillas del reloj hará que la segunda etapa ocurra más rápido, mientras que girarlo en sentido contrario al de las manecillas del reloj hará que la segunda etapa ocurra después.
 - **El ajuste de los tornillos (B) y (C)** debe hacerse en armonía uno con otro, ya que trabajan unidos para crear el perfil del gatillo. Empezar lentamente para entender lo que hace cada ajuste y la relación que tiene con el otro.
- **Mantenimiento del gatillo** El gatillo está ensamblado con una grasa EP de moly grafito que debe durar años. En caso de que el gatillo se contamine con desechos y no esté funcionando adecuadamente, comuníquese con un armero calificado para que lo examine y haga las reparaciones o mantenimiento necesarios.

Después de ajustar su gatillo, siempre compruebe que el gatillo y el seguro estén funcionando correctamente. Si no está seguro de que el gatillo o el seguro están funcionando correctamente, lleve su arma a un armero experimentado. Guarde el rifle de aire en un sitio seguro.

- Antes de guardar su rifle de aire, extraiga el cargador, asegúrese de que no haya diábolos en la recámara y de que el rifle no esté amartillado (vea la sección 6).
- Guarde este rifle de aire cargado con aire comprimido o CO₂ para mantener las válvulas cerradas contra la sociedad.

B. Ajuste de la energía del martillo

- El CH2009 está diseñado para afinarse de modo que funcione a varias presiones de llenado, hasta desde 2000 psi (138 bar). El arma está afinada de fábrica para permitir una mínima desviación de la velocidad y un máximo recuento de disparos. No obstante, un tirador puede decidir ajustar la energía del martillo para ajustarse a sus necesidades. Esto se hace mediante el ajuste de la precarga de resorte del martillo y la longitud de recorrido del martillo. En cualquier caso, el ajuste cambia la cantidad de energía que el martillo genera al golpear la válvula. Se recomienda siempre anotar sus ajustes al afinar su rifle.
- El CH2009 se ha ajustado de fábrica para ser adecuado a la mayoría de los usos de cacería y tiro al blanco. Si usted, como propietario, desea alterar los ajustes de fábrica, debe hacerlo únicamente después de leer cuidadosamente las siguientes instrucciones.
- Generalmente, ajustar la perilla en una posición tal que pueda verse .25 de pulgada de la rosca visible entre la perilla de ajuste del resorte del martillo y el receptor conseguirá la mínima desviación de la velocidad y el máximo rendimiento de disparos. (fig. 12)
- Precarga del resorte del martillo
- Para aumentar la energía, gire la perilla de ajuste del resorte del martillo en el sentido de las manecillas del reloj (fig. 12), hasta 6 revoluciones.

NOTA: Más revoluciones sólo harán que el ajustador gire pero no producirán ninguna fuerza adicional. Será necesario aumentar la precarga para facilitar el uso de presiones de llenado más elevadas.

Longitud del recorrido del martillo

El percutor se puede ajustar con una llave Allen de 1/8". Inserte la llave en el orificio que está en la perilla de ajuste del resorte del martillo y empujéla para que entre totalmente (fig. 13). Girar el percutor en el sentido de las manecillas del reloj reducirá el recorrido del martillo y girarlo en sentido contrario al de las manecillas del reloj alargará el recorrido. Una longitud de recorrido larga producirá una mayor energía del martillo, mientras que una longitud de recorrido corta producirá una menor energía del martillo. El percutor se puede ajustar hacia dentro por hasta 12 revoluciones.

Si al afinar no está seguro de en qué dirección moverse, o tiene que empezar de nuevo, gire la llave Allen en sentido contrario al de las manecillas del reloj hasta que llegue a un tope duro. Esto le dará un punto de referencia para volver a empezar. Girar la llave hacia fuera en el sentido de las manecillas del reloj desde esta posición unas 4 1/2 vueltas y después girar la perilla a un huelgo de .25 de pulgada llevará los ajustes de nuevo a un punto cercano al valor predeterminado de fábrica.

¡¡SUGERENCIA!!! Muy poca energía del martillo a altas presiones de llenado puede dar como resultado velocidades muy bajas como resultado de un bloqueo parcial de la válvula.

- Afinar el rifle de aire para obtener varios perfiles de velocidad puede conseguirse mediante el uso de estos puntos de ajuste, y deben hacerse en armonía entre sí. Comience lentamente para entender cómo cada uno de ellos afecta el desempeño del rifle de aire. La experiencia y las pruebas son la mejor forma de entender estas capacidades.

11. Revisión de la seguridad

- Nunca apunte el rifle de aire a ninguna persona o a ninguna cosa a la que no tenga intención de dispararle.
- Siempre trate el rifle de aire como si estuviera cargado y con el mismo respeto que le tendría a un arma de fuego.
- Apunte siempre en una DIRECCIÓN SEGURA. Mantenga siempre el cañón del rifle de aire apuntado en una DIRECCIÓN SEGURA.
- Mantenga siempre el rifle de aire con el seguro activado hasta que esté listo para disparar.
- Siempre compruebe que el rifle de aire tenga el seguro activado ("ON SAFE") (vea la sección 2A) y esté descargado al recibirlo de otra persona o al sacarlo después de estar guardado.
- Mantenga siempre el dedo apartado del gatillo y fuera del guardamonte hasta que esté listo para disparar.
- Usted y las demás personas deben siempre usar anteojos de tiro para proteger sus ojos.
- Si sus lentes de lectura o para ver no son de seguridad, cuide de usar anteojos de tiro encima de sus lentes normales.
- Use solamente diábolos calibre .177 (4.5 mm) en su Modelo. NUNCA reutilice la munición.
- No dispare a superficies duras o a la superficie del agua. El diábolo puede rebotar y golpear a alguien o algo que usted no tenía intención de tocar.
- Coloque el respaldo en un lugar que sea seguro en caso de que falle el respaldo.
- Debe revisarse el desgaste del respaldo antes y después de cada uso. Todos los respaldos se desgastan y eventualmente dejarán de servir. Reemplace el respaldo si la superficie está desgastada o dañada, o si rebota la munición.

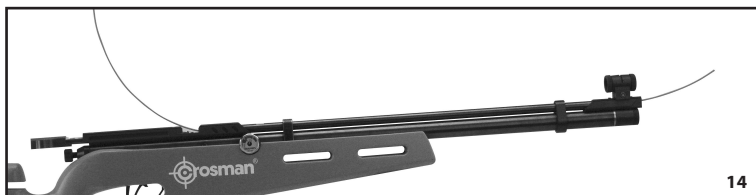
- No intente desarmar el rifle de aire ni lo manipule indebidamente. Use una Estación de servicio autorizada. El uso de centros de reparaciones no autorizados o la modificación de las funciones del rifle de aire en cualquier forma puede ser inseguro y anulará la garantía.
- Antes de almacenar el rifle de aire, asegúrese de que no esté cargado, ni amartillado. Almacene este rifle de aire cargado con aire comprimido o CO₂ para mantener las válvulas cerradas contra la suciedad.
- Siempre que almacene el rifle de aire, asegúrese de que el seguro esté activado ("ON SAFE") (vea la sección 2A.)

NOTA: Al usar un CBI (INDICADOR DE CAÑÓN LIBRE)

- Active el seguro del rifle ("ON SAFE") (sec 2A) y apúntelo en una DIRECCIÓN SEGURA.
- Tire del cerrojo hacia atrás un clic, luego inserte el dispositivo en la recámara como se muestra.

NOTA: No debe tirar del cerrojo totalmente hasta atrás

- Si tira del cerrojo hasta atrás, deberá seguir lo indicado en la sección 5B- sobre cómo desamartillar el rifle de aire.



ESPECIFICACIONES

Mecanismo	Acción de cerrojo de un solo tiro	Longitud	38"- 41.5"
Fuente de energía	Aire comprimido o CO ₂ (uno u otro)	Cañón	Lothar Walther
Calibre/Municiones	diábolo de plomo calibre .177	Seguro	Palanca ambidiestra
Peso	7.1 libras		

DESEMPEÑO

Muchos factores afectan la velocidad, incluida la marca del proyectil y su peso. CH2009 se ha diseñado para disparar silenciosamente. No obstante, al usar diábolos de peso ligero, puede romperse la barrera del sonido dando como resultado una fuerte detonación en la boca del cañón.

NO DEVUELVA SU PRODUCTO A LA TIENDA

Nuestros amables representantes de servicio al cliente le ayudarán con gusto. Puede obtener respuestas a preguntas muy frecuentes a www.crosman.com o puede comunicarse con nosotros directamente al 1-800-7AIRGUN (1-800-724-7486)

SERVICIO DE REPARACIONES

Si el rifle de aire necesita repararse, le recomendamos que lo lleve o envíe a su Estación de servicio autorizada Crosman más cercana. ¡NO INTENTE DESARMARLO! El rifle de aire requiere de herramientas y accesorios especiales para repararlo. Si lo desarma o modifica cualquier persona que no sea una Estación de servicio autorizada, se anulará la garantía.

UN SERVICIO ESPECIAL AL CLIENTE

Las Estaciones de servicio autorizadas Crosman desatascarán el rifle de aire sin costo durante el período de garantía.

GARANTÍA LIMITADA DE UN AÑO

Este producto está garantizado para el comprador al menudeo durante un año a partir de la fecha de compra al menudeo contra defectos en materiales y mano de obra, y es transferible. Para registrar el número de serie de su rifle, devuelva el formulario de registro de armas de aire. La garantía no está condicionada a la devolución de la tarjeta. Debe conservar el recibo de ventas original como registro de la fecha de compra.

QUÉ ESTÁ CUBIERTO

Refacciones y mano de obra. Cargos del transporte del producto reparado al consumidor.

QUÉ NO ESTÁ CUBIERTO

Cargos de transporte del producto defectuoso a la Estación de servicio autorizada. Daños ocasionados por el abuso, modificación o negligencia en la realización del mantenimiento normal, consulte el Manual del propietario. Cualquier otro gasto. DAÑOS CONSECUCIONALES, DAÑOS INCIDENTALES O GASTOS INCIDENTALES, INCLUIDOS LOS DE DAÑOS A LA PROPIEDAD. ALGUNOS ESTADOS NO PERMITEN LA EXCLUSIÓN O LIMITACIÓN DE DAÑOS INCIDENTALES O CONSECUCIONALES, DE MODO QUE ES POSIBLE QUE LA LIMITACIÓN ANTES SEÑALADA NO SE LE APLIQUE A USTED.

CÓMO HACER EFECTIVA LA GARANTÍA

No. de patentes Clientes- Encuentre la estación de servicio más cercana (consulte www.Crosman.com o llame a servicio al cliente de Crosman al 800-724-7486 para obtener una lista de estaciones). La estación de servicio le dará los detalles sobre cómo proceder con el envío del artículo para su reparación. Debe ponerse en contacto con la estación antes de enviar el producto.

Clientes internacionales: devuelva el producto a su distribuidor más cercano. Si no conoce a su distribuidor, llame al 585-657-6161 y pida hablar con nuestro departamento internacional (International Department) para obtener ayuda.

GARANTÍAS IMPLÍCITAS

CUALQUIER GARANTÍA IMPLÍCITA, INCLUIDAS LAS GARANTÍAS IMPLÍCITAS DE COMERCIABILIDAD E IDONEIDAD PARA UN PROPÓSITO EN PARTICULAR TIENEN UNA DURACIÓN LIMITADA DE UN AÑO A PARTIR DE LA FECHA DE LA COMPRA AL MENEDEO. ALGUNOS ESTADOS NO PERMITEN LIMITACIONES SOBRE LA DURACIÓN DE UNA GARANTÍA IMPLÍCITA, DE MODO QUE ES POSIBLE QUE ESTAS LIMITACIONES NO SE LE APLIQUEN A USTED.

En la medida en que cualquier disposición de esta garantía esté prohibida por la ley federal, estatal o municipal, no será aplicable. Esta garantía le otorga derechos legales concretos y es posible que usted tenga también otros derechos que varían según el estado.

CROSMAN y Benjamin son marcas comerciales registradas de Crosman Corporation en los Estados Unidos.