

**MODEL/ MODELO/ MODÈLE :
26EF031GPG**

Español P.12

Français P.21



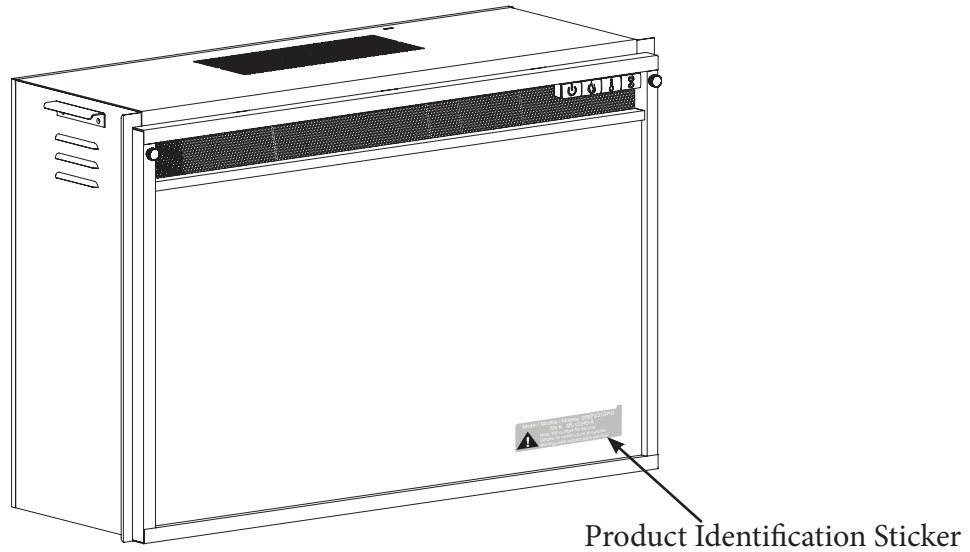
www.tsicustomerservice.com



1-866-661-1218

GETTING STARTED

1. Remove the product identification sticker from the front of the insert.



2. Attach the Product Identification Sticker to the Manual below for future reference. This information is used for product registration and also is necessary for customer service.

Attach Product Identification Sticker Here



3. Go to www.tsicustomerservice.com for product warranty registration. If you are unable to complete registration save your proof of purchase for warranty purposes.

PRODUCT SPECIFICATIONS

VOLTAGE	120VAC, 60 Hz
AMPS	11.7 Amps
WATTS	1400 Watts

IMPORTANT INSTRUCTIONS

When using electrical appliances, basic precautions should always be followed to reduce the risk of fire, electrical shock, and injury to persons including the following:

1. Read all instructions before using this appliance.
2. **DANGER** – High temperatures may be generated under certain abnormal conditions. Do not partially or fully cover or obstruct the front of this heater. **WARNING:** In order to avoid overheating, do not cover the heater.
3. **CAUTION:** Never leave the heater operating unattended. Extreme caution is necessary if unsupervised children or invalids are nearby.
4. The appliance is not to be used by children or persons with reduced physical, sensory or mental capabilities, or lack of experience and knowledge, unless they have been given supervision or instruction.
5. Always unplug this appliance when not in use.
6. Do not operate any heater with a damaged cord or plug or after the appliance malfunctions, or if it has been dropped or damaged in any manner.
7. If the supply cord is damaged, it must be replaced by the manufacturer, its service agent or similarly qualified persons in order to avoid a hazard.
8. Do not use outdoors.
9. This heater is not intended for use in bathrooms, laundry areas and similar indoor locations. Never locate this appliance where it may fall into a bathtub or other water container.
10. Do not run cord under carpeting. Do not cover cord with throw rugs, runners or the like. Arrange cord away from traffic areas and where it will not be tripped over.
11. To disconnect this appliance, turn controls to the off position, then remove plug from outlet.
12. Connect to properly grounded outlets only. This heater is for use on 120 volts. The cord has a plug as shown at A in Fig.1 Do not use a 2 prong adapters. Never use with an extension cord or relocatable power tap (outlet/power strip).

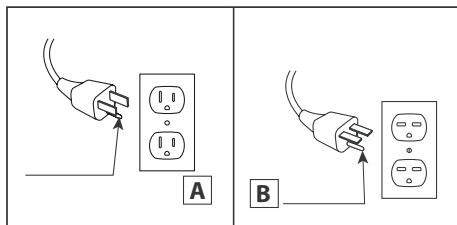


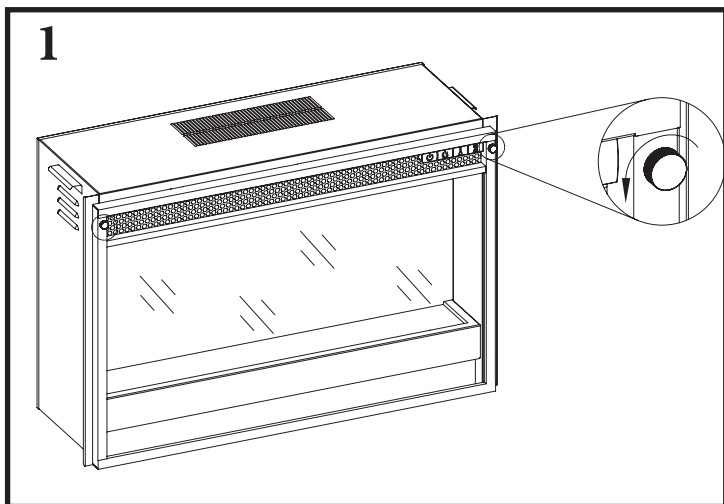
Fig.1



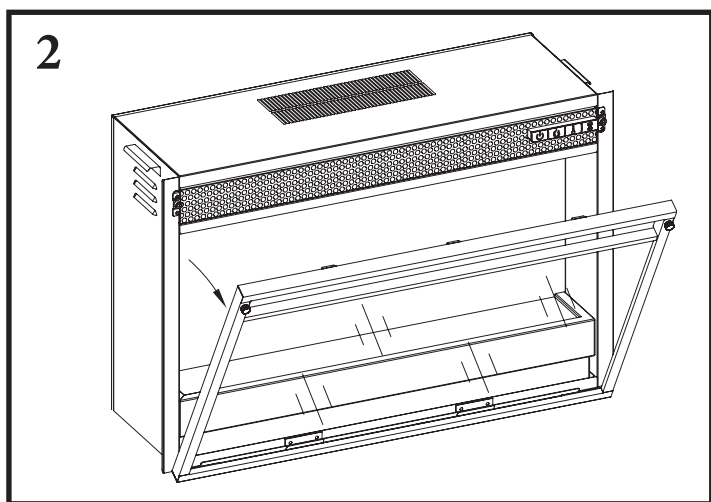
13. This appliance, when installed, must be electrically grounded in accordance with local codes or, in the absence of local codes, with the current CSA C22.1 Canadian Electrical Code or for U.S.A. installations, follow local codes and the National Electrical Code, ANSI/NFPA NO.70.
14. Do not insert or allow foreign objects to enter any ventilation or exhaust opening as this may cause an electric shock or fire, or damage the appliance.
15. To prevent a possible fire, do not block air intakes or exhaust in any manner. Do not use on soft surfaces, like a bed, where opening may become blocked.
16. This appliance has hot and arcing or sparking parts inside. Do not use it in areas where gasoline, paint or flammable liquids are used or stored. This fireplace should not be used as a drying rack for clothing. Christmas stockings or decorations should not be hung in the area of it.
17. Use this appliance only as described in the manual. Any other use not recommended by the manufacturer may cause fire, electric shock or injury to persons.

SAVE THESE INSTRUCTIONS

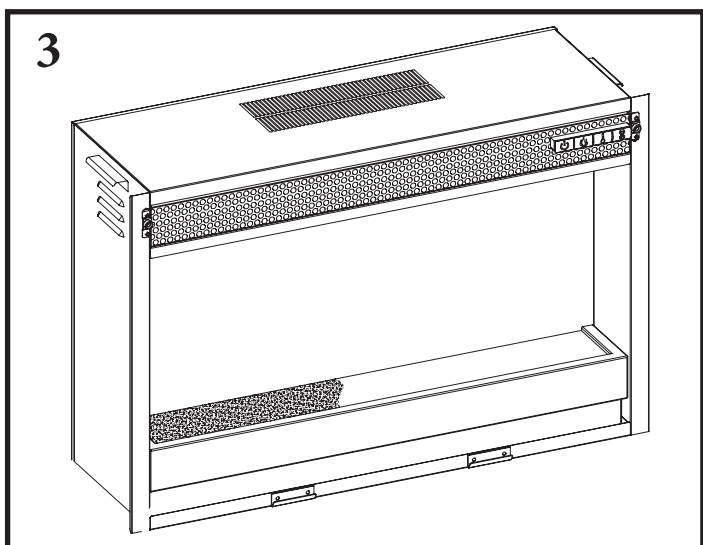
INSTALLATION INSTRUCTIONS



1. Locate and rotate the 2 screws in a counter-clockwise direction to loosen the glass front from the fireplace.

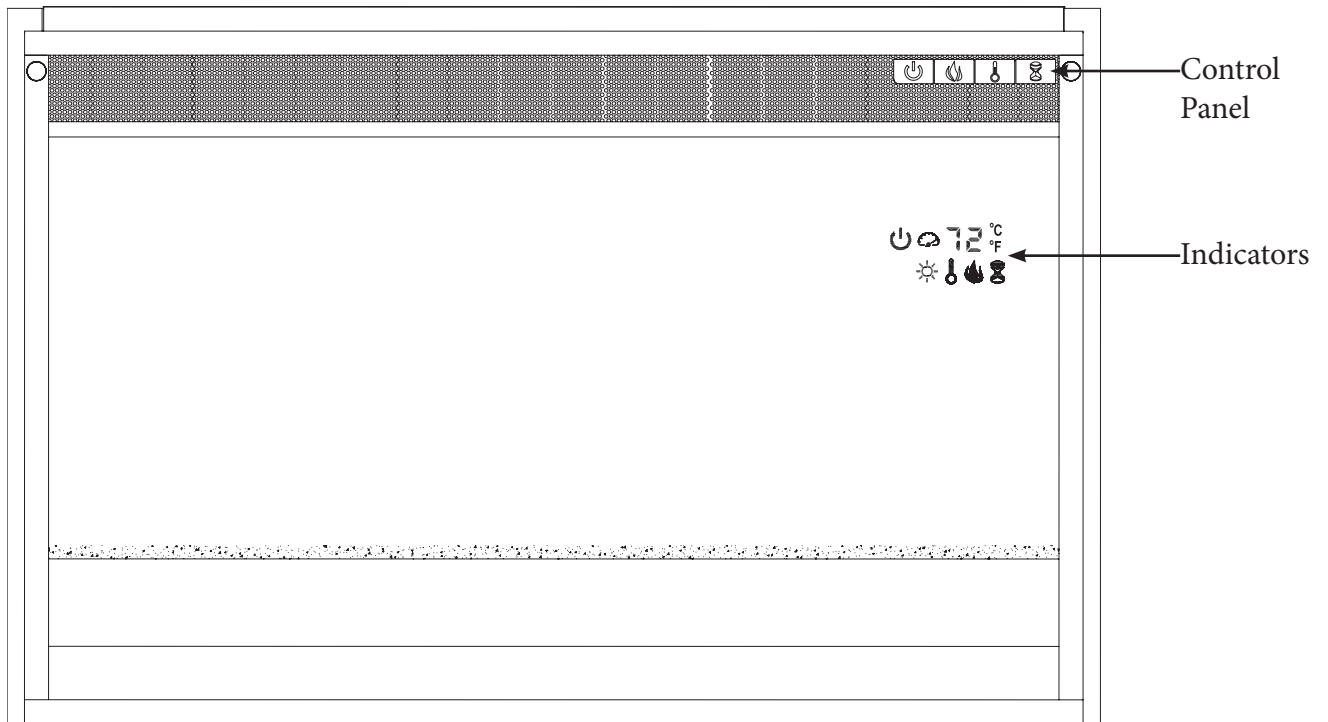


2. Remove front glass front from the insert.

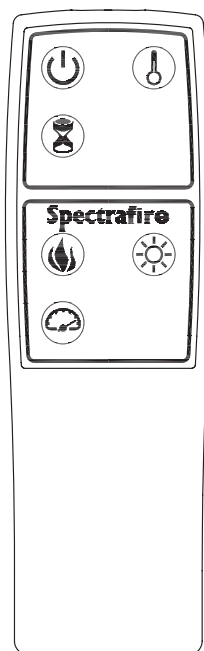


3. Place fireglass as desired. Reinstall the glass front turning the corner screws in a clockwise direction.






OPERATION INSTRUCTIONS



When a function is changed from the control panel or remote there will be a corresponding indicator displayed. The indicator shows the function changed and the level selected. When the function is turned off, the corresponding indicator will flash several times then fade off.



OPERATION INSTRUCTIONS

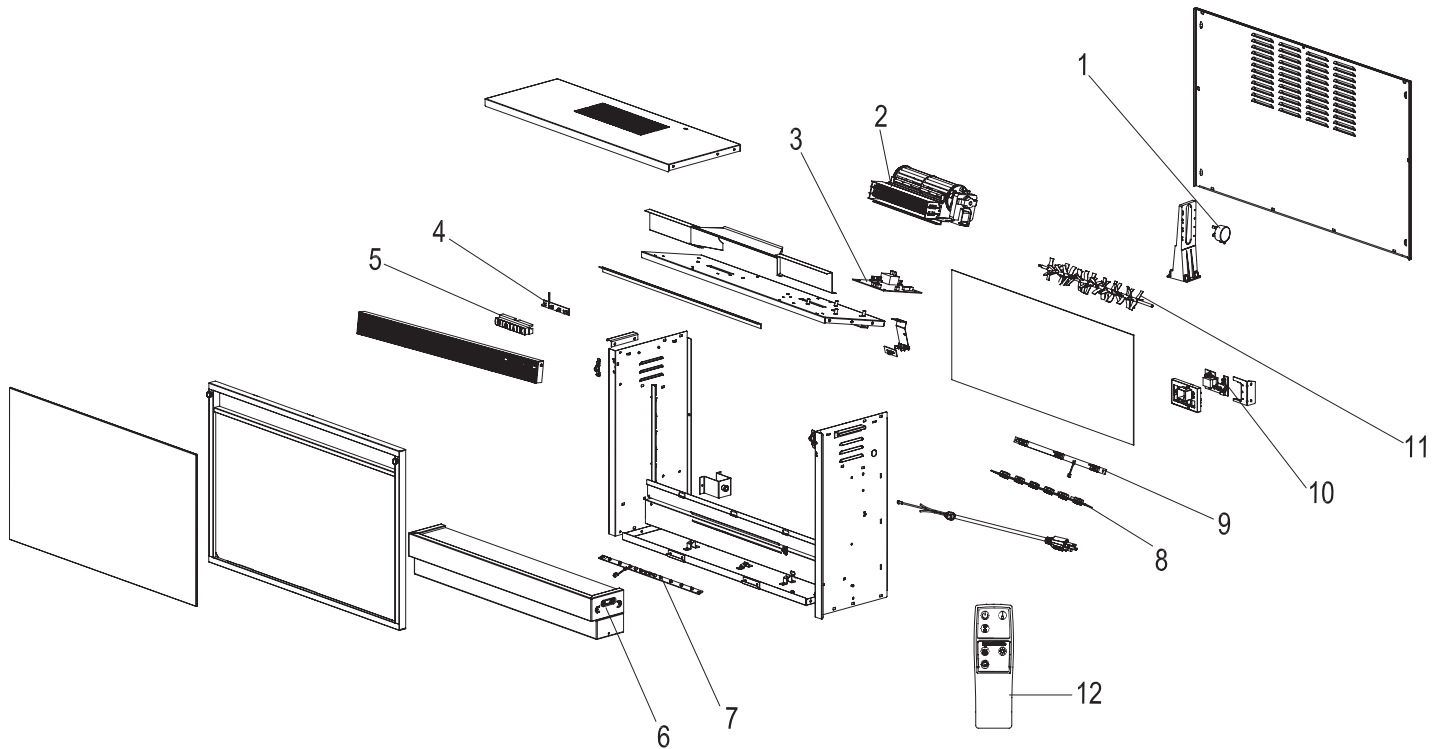
FUNCTION	ICON	DESCRIPTION
HEATER		<p>The fireplace contains a fan forced wire element heater.</p> <p>The default temperature is 72 °F (22 °C.). The thermostat setting range is 62°F - 82°F or 17°C - 27°C or continuously ON.</p> <p>The thermostat is adjustable by 2°F or 1°C increments.</p> <p>The button on the remote only turns the heater on/off to the thermostat setting selected with the control panel.</p> <p>To change between °F and °C press and hold the HEATER button on the control panel for 3 seconds.</p>
TIMER		<p>Pressing the timer button will cycle through the timer settings; 30 minutes, 1 Hour, 2H, 3H, 4H, 5H, 6H, 7H, 8H, 9H and off.</p>
SPECTRAFIRE COLOR		<p>There are 5 unique Spectrafire flame effects that can be selected.</p> <ol style="list-style-type: none"> 1: Spectrafire 2: Sapphire 3: Amethyst 4: Campfire 5: Midnight Fire <p>AU: Auto Cycle which will automatically fade in and fade out a new color flame effect periodically.</p>
SPECTRAFIRE INTENSITY		<p>The intensity is only adjustable from the remote control.</p> <p>Each Spectrafire flame color option has 5 intensity options available.</p>
SPECTRAFIRE SPEED		<p>The flame speed is only adjustable from the remote control.</p> <p>Each Spectrafire flame color option has speed options available.</p> <p>Setting 1 is slowest ranging up to setting 5 which is the fastest.</p>

TROUBLESHOOTING

Problem	Root Cause	Corrective Action
Display shows “ E 1 ”	The thermostat sensor is broken or disconnected.	Unplug the fireplace, remove the back panel of the fireplace and check that the thermostat is plugged into the main circuit board. If this does not solve the problem contact customer service for a replacement thermostat sensor.
Display shows “ E 2 ”	The thermostat sensor is broken.	Contact customer service for a replacement thermostat sensor.
Display shows “ E 3 ”	Manual Reset overheat protection has triggered.	Inspect the heater and check that the air inlets and outlets are not blocked as this may cause overheating. Unplug the heater for 30 minutes and allow it to cool down. Replug and operate, monitor the heater for signs of overheating, if the problem persist discontinue use of the heater and contact customer service.
Display shows “ E 4 ”	Power cord overheating protection has activated.	Check your heater cord and plug connections. Faulty wall outlet connections or loose plugs can cause the outlet or plug to overheat. Be sure the plug fits tight in the outlet. Heaters draw more current than small appliances, overheating of the outlet may occur even if it has not occurred with the use of other appliances. During use check frequently to determine if your plug outlet or faceplate is HOT! If so, discontinue use of the heater and have a qualified electrician check and/or replace the faulty outlet(s).
Heater does not blow warm air.	Cool down cycle.	Normal operation, will continue to run for several minutes before shutting down. Times will vary based on temperatures. During this time cool air will blow.
No power, logs do not glow.	No power to the unit	Check that unit is plugged into a standard 120V outlet. Press power button several times, make sure power is set at “ON” position.
Heater does not blow warm air.	Thermostat setting is preventing heater from turning on.	Adjust the temperature settings to ensure that the thermostat is set higher than the current room temperature.
Flame effect works but heater function does not and the embered flashes when the heater button is pressed.	The heater is disabled.	With the power on press and hold the POWER button on the control panel for 10 seconds. Once re-enabled the flame effect will flash multiple times.
Remote Control is not working.	No batteries	Change the remote batteries.
	Poor Signal	Operate remote transmitter at a slow measured pace. Press the remote control buttons with an even motion and gentle pressure. Repeatedly pressing buttons in rapid succession may cause the transmitter to malfunction.
	Distance	Operate the remote at a distance less than 20 feet from the front of the appliance; point the remote at the control panel.

EXPLODED VIEW

Part	Part Name
1	Flame Generator Drive Motor
2	Heater/Blower Assembly
3	Main Circuit Board
4	Control Panel Circuit Board
5	Control Panel Buttons
6	Tray
7	Tray Circuit Board
8	Flame Circuit Board
9	Blue Flame Circuit Board
10	LED Display
11	Flame Generator/ Spinner
12	Remote Control



CARE AND MAINTENANCE

- The motors used on the fan and the flame generator assembly are pre-lubricated for extended bearing life and require no further lubrication. However, we recommend periodic cleaning/vacuuming of the fan/heater.
- Make sure the unit is turned OFF and unplugged before cleaning the heater or fireplace.

FCC/IC INFORMATION

NOTE: This equipment has been tested and found to comply with the limits for Class B digital device, pursuant to part 15 of the FCC Rules. These limits are designed to provide reasonable protection against harmful interference in a residential installation. This equipment generates, uses, and can radiate radio frequency energy and, if not installed and used in accordance with the instructions, may cause harmful interference to radio or television reception, which can be determined by turning the equipment off and on, the user is encouraged to try to correct the interference by one or more of the following measures:

- Reorient or relocate the receiving antenna.
- Increase the separation between the equipment and the receiver.
- Connect the equipment into an outlet on a circuit different from that to which the receiver is connected.
- Consult the dealer or an experienced radio/TV technician for help.

This device complies with Part 15 of the FCC Rules. Operation is subject to the following two conditions:

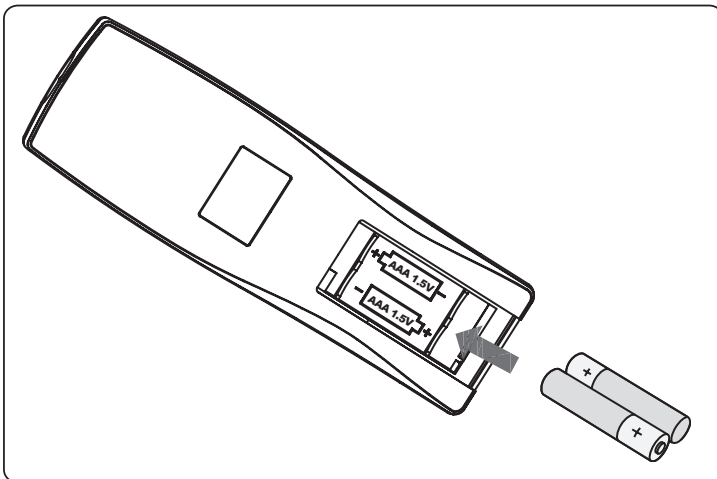
- (1) This device may not cause harmful interference, and
- (2) this device must accept any interference received, including interference that may cause undesired operation.

Modifications not approved by the party responsible for compliance could void user's authority to operate the equipment.

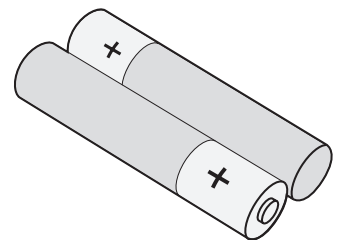
This Class B digital apparatus complies with Canadian ICES-003.

BATTERY REPLACEMENT

- NOTE: Do not mix old and new batteries.
Do not mix alkaline, standard (carbon zinc), or rechargeable (nicad, nimh, etc.) batteries.
Do not ingest batteries.



Note:
Battery disposal
Please always dispose of batteries
at a suitable recycling point.



CAUTION:

- Always purchase the correct size and grade of battery most suitable for the intended use.
- Replace all batteries of a set at the same time.
- Clean the battery contacts and also those of the device prior to battery installation.
- Ensure the batteries are installed correctly with regard to polarity (+ and -).
- Remove batteries from equipment which is not to be used for an extended period of time.
- Remove used batteries promptly.

1-YEAR LIMITED WARRANTY

The manufacturer warrants that your new Electric Fireplace is free from manufacturing and material defects for a period of one year from date of purchase, subject to the following conditions and limitations.

1. Install and operate this appliance in accordance with the installation and operating instructions furnished with the product at all times. Any unauthorized repair, alteration, willful abuse, accident, or misuse of the product shall nullify this warranty.
2. This warranty is non-transferable, and is made to the original owner, provided that the purchase was made through an authorized supplier of the product.
3. The warranty is limited to the repair or replacement of part(s) found to be defective in material or workmanship, provided that such part(s) have been subjected to normal conditions of use and service, after said defect is confirmed by the manufacturer's inspection.
4. The manufacturer may, at its discretion, fully discharge all obligations with respect to this warranty by refunding the wholesale price of the defective part(s).
5. Any installation, labor, construction, transportation, or other related costs/expenses arising from defective part(s), repair, replacement, or otherwise of same, will not be covered by this warranty, nor shall the manufacturer assume responsibility for same.
6. The owner/user assumes all other risks, if any, including the risk of any direct, indirect or consequential loss or damage arising out of the use, or inability to use the product, except as provided by law.
7. All other warranties – expressed or implied – with respect to the product, its components and accessories, or any obligations/liabilities on the part of the manufacturer are hereby expressly excluded.
8. The manufacturer neither assumes, nor authorizes any third party to assume on its behalf, any other liabilities with respect to the sale of the product.
9. The warranties as outlined within this document do not apply to non accessories used in conjunction with the installation of this product.
10. This warranty gives you specific legal rights, and you may also have other rights which vary from state to state.

This warranty is void if:

- a. The fireplace is subjected to prolonged periods of dampness or condensation.
- b. Any unauthorized alteration, willful abuse, accident, or misuse of the product.
- c. You do not have the original receipt of purchase.

CUSTOMER SERVICE

www.tsicustomerservice.com

For Customer Service Call 1-866-661-1218

Questions? Our experts are standing by assist you at our Toll-Free help line, we can help you with assembly, and, if necessary replace damaged/missing parts. Assistance is available 7 days a week/24 hours a day/365 days per year.

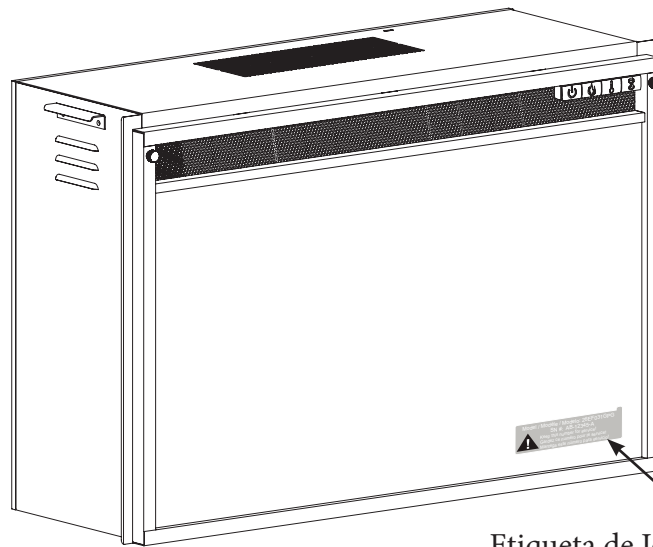
IMPORTANT:

Before contacting Customer Service please have this information available:

- Serial Number
- Model Number
- Sales Receipt or Proof of Purchase

PARA EMPEZAR

1. Retirar la etiqueta de identificación del producto de la parte delantera del inserto.



Etiqueta de Identificación del Producto

2. Colocar la etiqueta de identificación del producto en el Manual más abajo para una referencia futura. Esta información se utiliza para registrar el producto y también es necesaria para el servicio de atención al cliente.

Colocar aquí la etiqueta de identificación del producto



3. Visitar www.tsicustomerservice.com para el registro de la garantía del producto. Si usted no puede completar el registro guarde el comprobante de compra para hacer válida la garantía.

ESPECIFICACIONES ELÉCTRICAS

Tensión	120VAC, 60 Hz
Amperios	11.7 A
Potencia	1400 W

INSTRUCCIONES IMPORTANTE

Cuando utilice electrodomésticos, siempre tome medidas de precaución básicas para evitar incendios, descargas eléctricas y lesiones personales. Entre ellas:

1. Lea todas las instrucciones antes de usar este electrodoméstico.
2. **PELIGRO** – Es posible que altas temperaturas se pueden generar bajo ciertas condiciones anormales. No cubra parcialmente o totalmente ni obstruya la parte delantera de este calentador. **ADVERTENCIA:** Para evitar el sobrecalentamiento, no cubra el calentador.
3. **PRECAUCIÓN:** Nunca deje el calentador operando de forma desatendida. Extremo cuidado es necesario si hay niños o personas discapacitadas sin supervisión cerca.
4. Este electrodoméstico no debe ser usado por personas o niños con capacidades físicas, sensoriales o mentales reducidas o sin experiencia ni conocimientos, a menos que una persona responsable de su seguridad les brinde supervisión o capacitación respecto al uso del electrodoméstico.
5. Siempre desenchufe este electrodoméstico cuando no lo use.
6. No opere ningún calentador con un cable o enchufe dañados, después de fallas del mismo, de que se haya dejado caer o dañado de cualquier forma.
7. Si el cable de alimentación está dañado, el fabricante, su empresa de servicio o alguien de calificación similar deben reemplazarlo para evitar peligros.
8. No lo use en exteriores.
9. Este calentador no se debe usar en el baño, lavadero y en espacios húmedos similares interiores. Nunca coloque este calentador donde se pueda caer dentro de una bañera u otro contenedor de agua.
10. No coloque el cable debajo de una alfombra. No cubra el cable con alfombras, tapetes o similares. Coloque el cable lejos de zonas de tránsito en donde nadie se pueda tropezar y caer.
11. Para desconectar este electrodoméstico, gire los controles a la posición de apagado y luego retire el enchufe del tomacorriente.
12. Conectar solamente a una toma de corriente con conexión a tierra adecuada. Este calentador debe utilizarse con 120 voltios. El cable incluye un enchufe tal como se muestra en la figura A en la Fig.1. No utilice un adaptador de 2 clavijas. Nunca use un cable de extensión o tomas de alimentación reubicable (enchufes/ regletas).

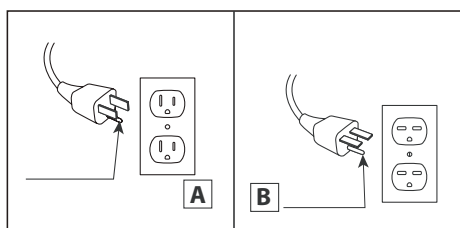
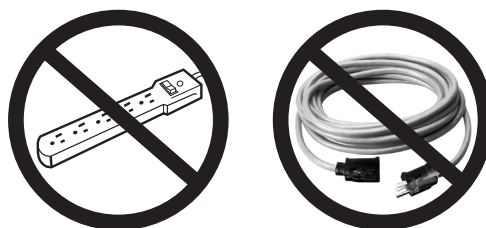


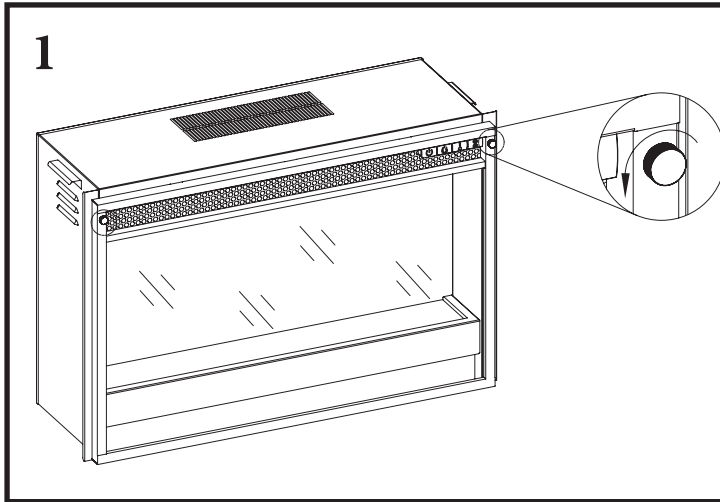
Fig.1



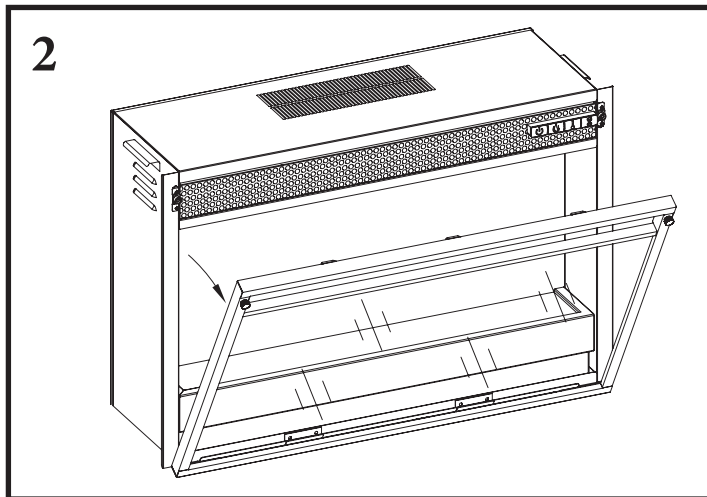
13. Cuando está instalado, este artefacto debe presentar una conexión eléctrica a tierra según los códigos locales, según los Códigos de Electricidad de Canadá CSA C22.1 o, para instalaciones en EE.UU., siga los códigos locales y el código nacional de electricidad, ANSI/ NFPA No. 70.
14. No introduzca objetos extraños ni permita que entren en las aberturas de ventilación o escape, ya que pueden provocar descargas eléctricas, incendios o daños en el electrodoméstico.
15. Para evitar incendios, no bloquee las entradas ni salidas de aire de ninguna manera. No use sobre superficies blandas, como una cama, donde las aberturas se puedan bloquear.
16. Este electrodoméstico tiene en su interior piezas calientes y piezas que forman arcos eléctricos o que echan chispas. No lo use en áreas donde se use o almacene gasolina, pintura o líquidos inflamables. Esta chimenea no se debe usar como una rejilla para secar ropa. No cuelgue medias navideñas u otras decoraciones sobre o cerca de este producto.
17. Utilice este electrodoméstico sólo como se describe en este manual. Cualquier otro uso no recomendado por el fabricante puede causar incendios, descargas eléctricas o lesiones personales.

GUARDE ESTAS INSTRUCCIONES

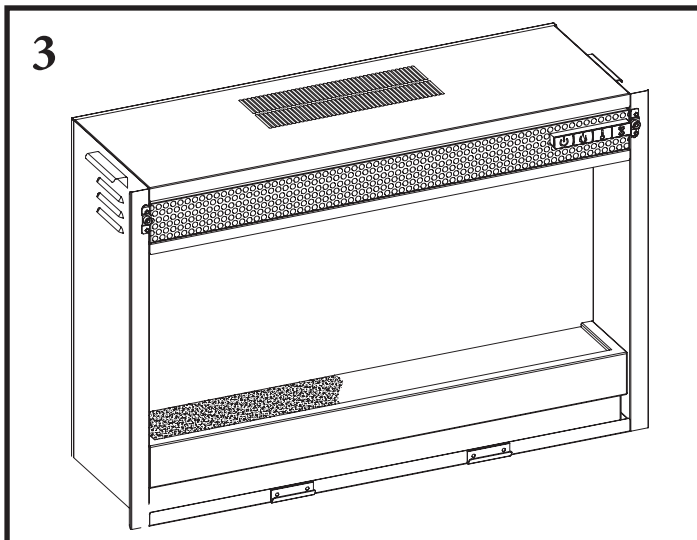
INSTRUCCIONES DE INSTALACIÓN



1. Localice y gire los 2 tornillos en sentido contrario a las agujas del reloj para aflojar el cristal frontal del mueble.

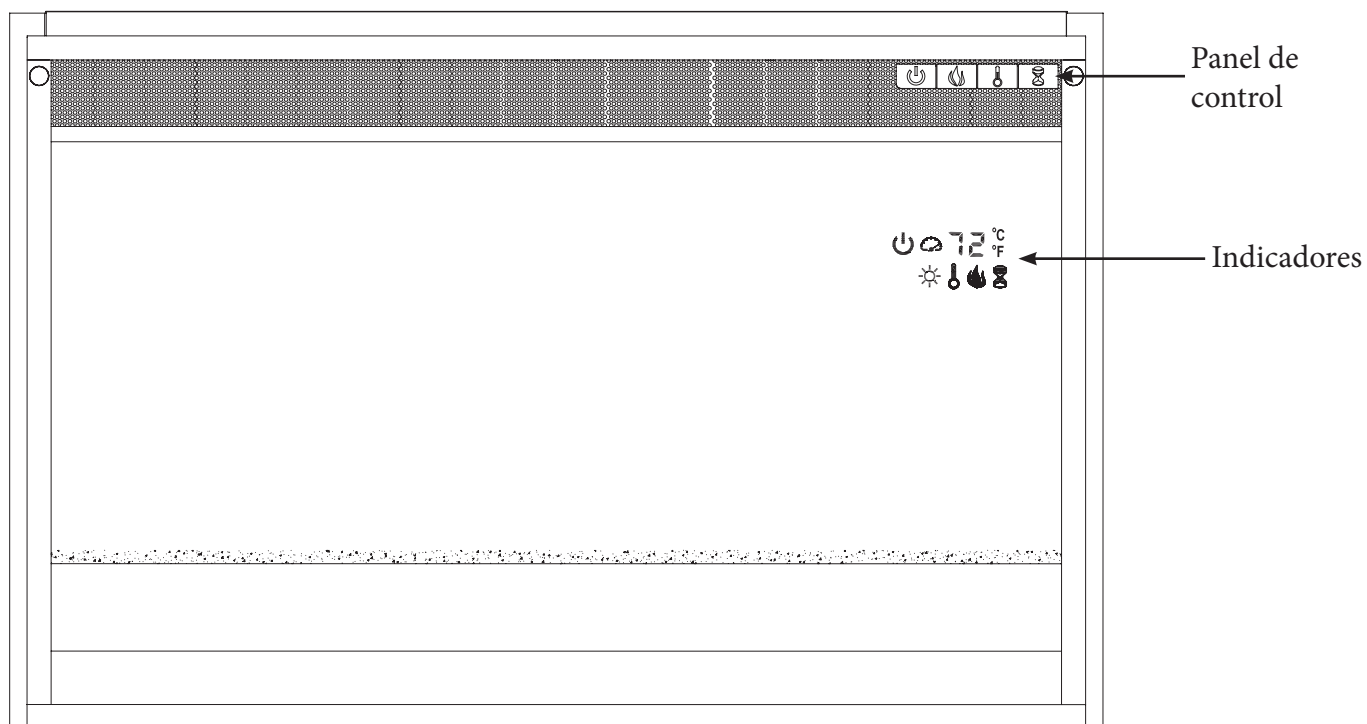


2. Saque el cristal frontal del inserto.

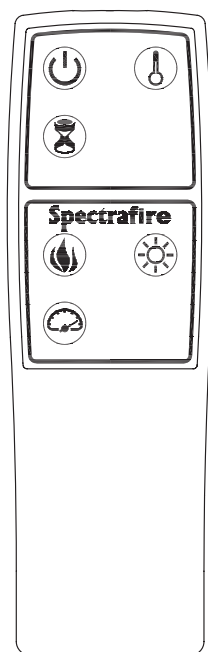


3. Ponga el cristal del mueble como desee. Reinstale el cristal frontal girando los tornillos de las esquinas en dirección opuesta a las agujas del reloj.






INSTRUCCIONES DE OPERACIÓN



Cuando una función es modificada desde el panel de control o de manera remota habrá un indicador correspondiente. El indicador muestra la función modificada y el nivel seleccionado. Cuando la función está desactivada, el indicador correspondiente destellará varias veces y luego se apagará gradualmente.



INSTRUCCIONES DE OPERACIÓN

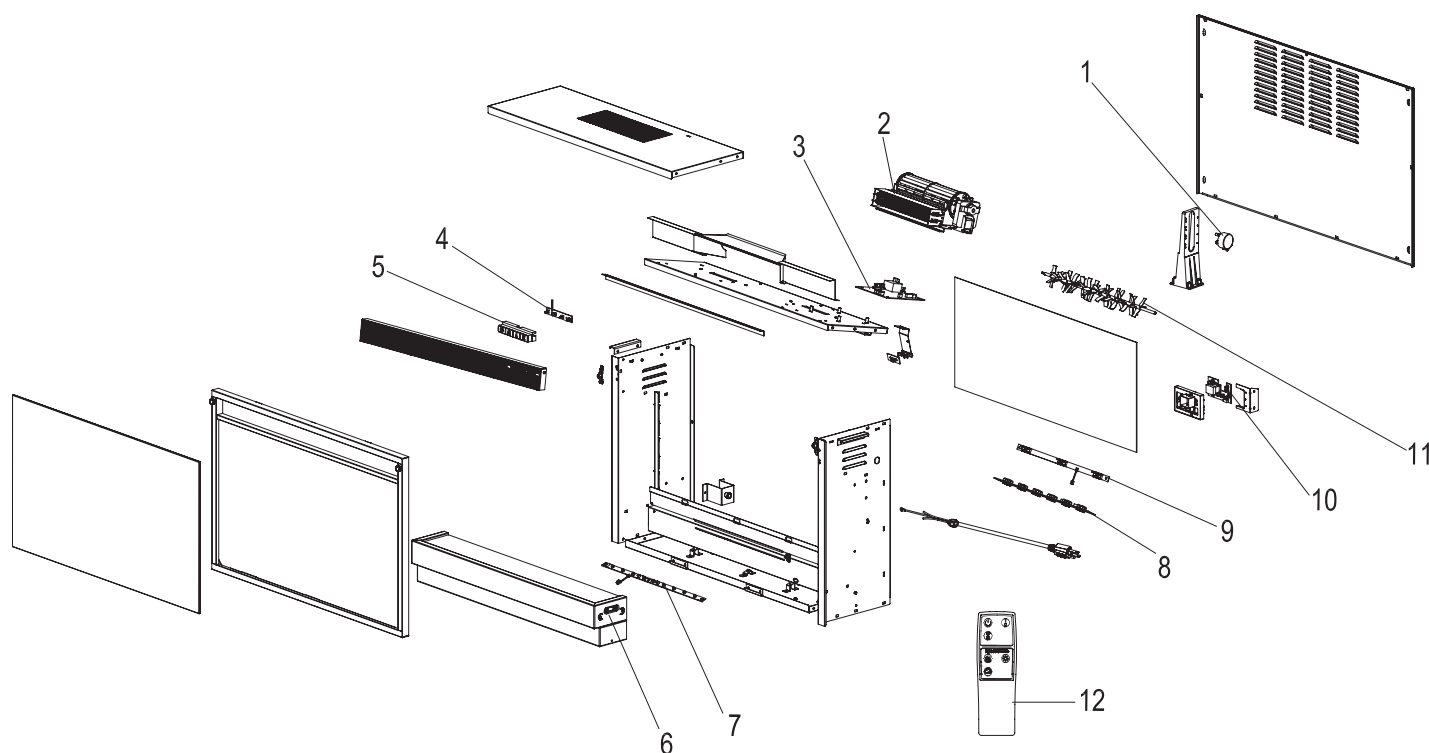
FUNCIÓN	ICONO	DESCRIPCIÓN
CALENTADOR		<p>La chimenea contiene un calentador con un elemento cableado forzado con ventilador.</p> <p>La temperatura predeterminada es de 22 °C (72 °F). El rango de ajuste del termostato es de 62°F - 82°F o 17°C - 27°C o continuamente encendido.</p> <p>El termostato es ajustable en incrementos por 2°F o 1°C.</p> <p>El botón del control remoto sólo enciende/apaga el calentador para el ajuste del termostato seleccionado con el panel de control.</p> <p>Para cambiar entre °F y °C mantenga pulsado el botón del CALENTADOR en el panel de control durante 3 segundos.</p>
TEMPORIZADOR		<p>Al presionar el botón del temporizador, hará un ciclo a través de la configuración del temporizador; 30 minutos, 1 hora, 2H, 3H, 4H, 5H, 6H, 7H, 8H, 9H y apagado.</p>
COLOR DE SPECTRAFIRE		<p>Hay 5 únicos efectos de llama Spectrafire que se pueden seleccionar.</p> <ol style="list-style-type: none">1: Spectrafire2: Zafiro3: Amatista4: Hoguera5: Fuego de Medianoche <p>AU: Ciclo automático que cambiará automáticamente por otro nuevo efecto de la llama de color periódicamente.</p>
INTENSIDAD DE SPECTRAFIRE		<p>La intensidad es sólo ajustable desde el control remoto.</p> <p>Cada opción de color de la llama Spectrafire tiene 5 opciones de intensidad disponibles.</p>
VELOCIDAD DE SPECTRAFIRE		<p>La velocidad de la llama es sólo ajustable desde el control remoto.</p> <p>Cada opción de color de la llama Spectrafire tiene opciones de velocidad disponibles.</p> <p>El ajuste 1 es el más lento que varía hasta el ajuste de 5, que es la más rápida.</p>

SOLUCIÓN DE PROBLEMAS

Problema	Origen de la causa	Medidas correctivas
La pantalla muestra “ E 1 ”.	El sensor del termostato está dañado o desconectado.	Desenchufe la chimenea, quite el panel posterior de la chimenea y revise que el termostato esté conectado a la placa del circuito principal. Si esto no resuelve el problema, comuníquese con atención al cliente para obtener un replazo del sensor del termostato.
La pantalla muestra “ E 2 ”.	El sensor del termostato está dañado.	Comuníquese con atención al cliente para el replazo del sensor del termostato.
La pantalla muestra “ E 3 ”.	El restablecimiento manual de protección contra el sobrecalentamiento se ha activado.	Inspeccione el calentador y verifique que las entradas y salidas de aire no estén bloqueadas, pues pueden causar sobrecalentamiento. Desenchufe el calentador durante 30 minutos y deje enfriar. Vuelva a enchufar y a operar, y supervise el calentador para detectar signos de sobrecalentamiento, y si el problema persiste, interrumpa el uso del calentador y comuníquese con atención al cliente.
La pantalla muestra “ E 4 ”.	Poder sobrecalentamiento cable protección se ha activado.	Compruebe que el cable del calentador y las conexiones del enchufe. Conexiones de tomas de corriente defectuosas o enchufes sueltos pueden hacer que la toma de corriente o el enchufe se recaliente. Asegúrese de que el enchufe queda ajustado a la toma de corriente. Los calentadores consumen más corriente que los pequeños electrodomésticos, el recalentamiento de la toma de corriente puede ocurrir incluso si no se ha producido con el uso de otros aparatos. Durante el uso, compruebe con frecuencia para determinar si su enchufe o la placa frontal está CALIENTE! Si es así, deje de utilizar el calentador y contacte con un electricista cualificado para que compruebe o reemplace los enchufe(s) defectuosos.
El calentador no sopla aire caliente.	Ciclo de enfriamiento.	Esto es una operación normal, el ventilador continuará funcionando durante menos de un minuto para enfriar los componentes internos. Períodos pueden variar dependiendo de la temperatura. Durante este tiempo, el aire frío se fundirá.
Sin corriente, los registros no brillan.	No hay corriente en la unidad.	Compruebe que la unidad esté enchufada a una toma de corriente estándar de 120V. Presione el botón de encendido varias veces, y asegúrese de que la energía este fijada en la posición de “ENCENDIDO”.
El calentador no sopla aire caliente.	El ajuste del termostato está evitando que el calentador se encienda.	Ajuste la configuración de la temperatura para asegurar que el termostato está fijado por encima de la temperatura actual de la habitación.
El efecto de llama funciona, pero la función del calentador no funciona y el peldaño parpadea cuando el botón del calentador está presionado.	El calentador está desactivado.	Con la corriente encendida, presione y mantenga pulsado el botón de encendido en el panel de control durante 10 segundos. Una vez reactivado el efecto de la llama parpadea varias veces.
El control remoto no funciona.	No hay pilas	Cambie las pilas del control remoto.
	Mala Señal.	Opere el transmisor remoto a una velocidad más lenta. Pulse los botones del control remoto con una moción uniforme y presión suave. Pulsar los botones en una sucesión rápida y de forma repetida puede causar que el transmisor mal funcione.
	Distancia.	Operar el control remoto a una distancia inferior a 20 pies desde la parte delantera del aparato; apunte el control remoto al panel de control.

VISTA DESPLEGADA

Pieza	Nombre de la pieza
1	Motor Generador de Llama
2	Montaje del Calentador/Ventilador
3	Tarjeta de circuitos principal
4	Tarjeta de circuitos del panel de control
5	Botones del panel de control
6	Bandeja
7	Placa de circuito Bandeja
8	Tarjeta de circuitos de llama
9	Tarjeta de circuitos de llama azul
10	Visualización LCD
11	Generador/acelerador de llama
12	Control remoto



CUIDADO Y MANTENIMIENTO

- Los motores usados en el ventilador y el conjunto generador de flamas vienen lubricados previamente para prolongar la vida útil de los rodamientos y no necesitan otra lubricación. Sin embargo, recomendamos la limpieza/aspirado periódico del ventilador/calentador.
- Asegúrese de que la unidad esté apagada y desenchufada siempre que limpie el calentador o chimenea.

INFORMACIÓN DE FCC/IC

NOTA: Este equipo ha sido probado y se ha verificado que cumple con los límites para un dispositivo digital clase B, conforme a la sección 15 de las regulaciones de la FCC. Estos límites están diseñados para proporcionar protección razonable contra interferencia perjudicial en una instalación residencial. Este equipo genera, usa y puede irradiar energía de radiofrecuencia y, si no se instala y usa de acuerdo con las instrucciones, puede causar interferencia perjudicial a la recepción de radio o televisión, lo que se puede determinar al apagar y encender el equipo. Se recomienda al usuario que intente corregir la interferencia con una o más de las siguientes medidas:

- Reorientar o reubicar la antena de recepción.
- Aumentar la separación entre el equipo y el receptor.
- Conectar el equipo a un tomacorriente de un circuito distinto al que usa el receptor.
- Solicitar ayuda al concesionario o a un técnico con experiencia en radio/TV.

Este dispositivo cumple con la sección 15 de las reglas de la FCC. El funcionamiento está sujeto a las siguientes dos condiciones:

- (1) este dispositivo no debe causar interferencia perjudicial, y
- (2) este dispositivo deberá aceptar cualquier interferencia recibida, incluida la interferencia que pudiese causar la operación no deseada.

Las modificaciones que no estén aprobadas por la parte responsable del cumplimiento podrían anular la autorización del usuario para utilizar el equipo.

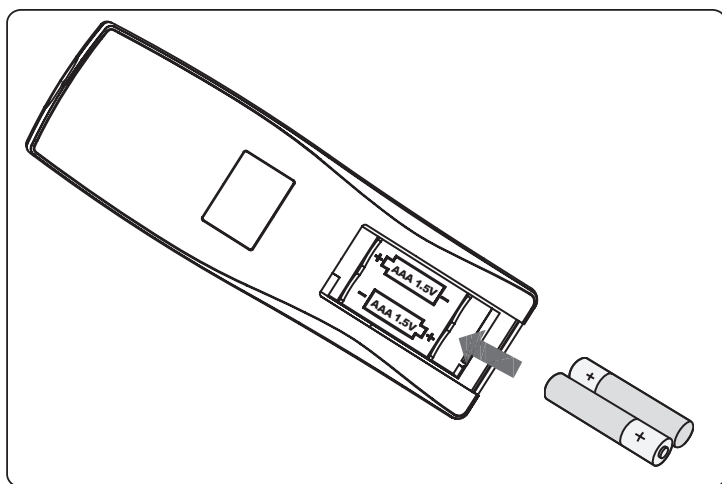
Este instrumento digital clase B cumple con el ICES-003 de Canadá.

REEMPLAZO DE BATERÍA

Nota: No mezclar baterías viejas con nuevas.

No mezclar baterías alcalinas, baterías recargables (de Ni-Cd, Ni-MH, etc.) y baterías estándar (de zinc-carbono).

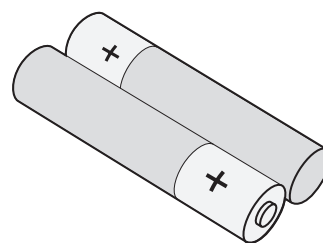
Precaución por ingestión.



Nota:

Eliminación de batería

Siempre deseche las baterías en un punto adecuado de reciclaje.



PRECAUCIÓN:

- Siempre compre las pilas de tamaño y grado correctos para este uso.
- Reemplace todas las pilas de un set al mismo tiempo.
- Limpie los contactos de las pilas y los del aparato antes de colocar las pilas.
- Asegúrese que las pilas estén bien colocadas respecto a la polaridad (+ y -).
- Retire las pilas del equipo si no se va a utilizar por un tiempo prolongado.
- Retire las pilas usadas de inmediato.

GARANTÍA LIMITADA DE 1 AÑO

El fabricante garantiza que su nueva estufa eléctrica no presentará defectos de fabricación ni materiales durante un período de un año a partir de la fecha de compra, siempre y cuando se cumplan las siguientes condiciones y limitaciones.

1. Esta estufa eléctrica se debe instalar y operar en todo momento de acuerdo con las instrucciones de instalación y operación proporcionadas con el producto. Cualquier reparación no autorizada, alteración, abuso deliberado, accidente o uso inadecuado del producto anulará esta garantía.
2. Esta garantía no es transferible y sólo está disponible para el propietario original, siempre y cuando la compra se haya realizado a través de un proveedor autorizado del producto.
3. Esta garantía se limita a la reparación o reemplazo de piezas que se consideren defectuosas en material o mano de obra, siempre y cuando dicha pieza haya estado sometida a condiciones normales de uso y servicio, después de que una inspección por parte del fabricante confirme dicho defecto.
4. El fabricante podrá, bajo su criterio, eximirse de toda obligación respecto de esta garantía reembolsando el precio al por mayor de la pieza defectuosa.
5. Esta garantía no cubre ningún costo de instalación, mano de obra, fabricación, transporte o de otro tipo que surja de la pieza defectuosa, su reparación, reemplazo u otra situación, y el fabricante no asume ninguna responsabilidad por las mismas.
6. El dueño/usuario asume todos los riesgos, si los hay, incluidos los riesgos de daños o pérdidas directos, indirectos o resultantes que surjan del uso del producto, o de la incapacidad para usarlo, salvo que la ley estipule lo contrario.
7. Mediante el presente, se excluye expresamente cualquier otra garantía, expresa o implícita, respecto del producto, sus componentes y accesorios, o cualquier otra obligación o responsabilidad de parte del fabricante.
8. El fabricante no asume ni autoriza a ningún tercero a asumir en su nombre ninguna otra responsabilidad respecto de la venta de este producto.
9. Las garantías descritas en este documento no se aplican a accesorios que no sean del fabricante y que se usen junto con la instalación de este producto.
10. Esta garantía le otorga derechos legales específicos, pero también puede tener otros derechos que varían según el estado.

Esta garantía es nula si:

- a. La chimenea está sometida a períodos prolongados de humedad o condensación.
- b. Se produce cualquier alteración no autorizada, abuso deliberado, accidente o uso inadecuado del producto.
- c. Usted no tiene el recibo original de compra.

SERVICIO AL CLIENTE

www.tsicustomerservice.com

Para el servicio de atención al cliente llame 1-866-661-1218

¿Preguntas? Nuestros expertos están a su disposición a través de nuestra línea de ayuda gratuita, para brindarle asistencia con el ensamblaje, y, si es necesario, para reemplazar las partes dañadas/perdidas. La asistencia está disponible los 7 días de la semana, las 24 horas del día, los 365 días del año.

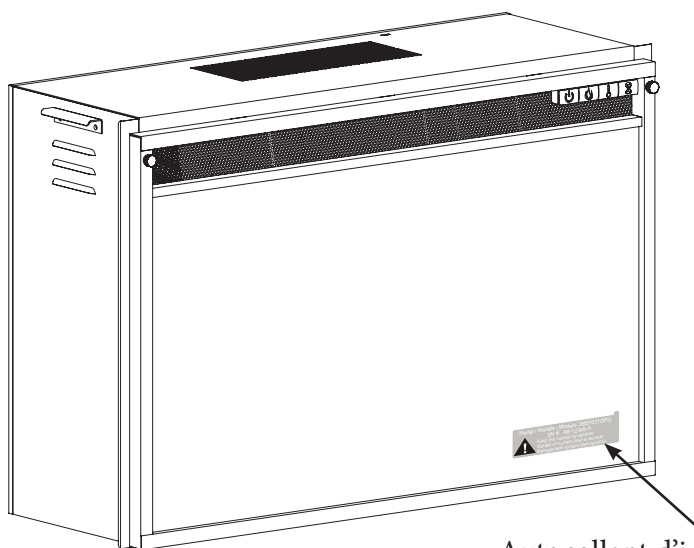
IMPORTANTE:

Antes de comunicarse con atención al cliente, tenga disponible la siguiente información:

- Número de serie
- Número de modelo
- Recibo de compra o prueba de compra

PRÉPARATION

1. Retirer l'autocollant d'identification du produit sur le devant de l'insertion.



Autocollant d'identification du produit

2. Fixer l'autocollant d'identification du produit ci-dessous, dans le manuel, pour référence future. Cette information sera utilisée pour l'enregistrement de produit et sera aussi nécessaire pour le service à la clientèle.

Fixer l'autocollant d'identification du produit ici



3. Rendez-vous sur le site www.tsicustomerservice.com pour compléter l'enregistrement de la garantie. Si vous êtes incapable de compléter l'enregistrement, conserver votre preuve d'achat pour les besoins de la garantie.

CARACTÉRISTIQUES DU PRODUIT

TENSION	120VAC, 60 Hz
AMPÈRES	11,7 A
WATTS	1400 W

INSTRUCTIONS IMPORTANTES

Lors de l'utilisation d'appareils électriques, pour éviter les risques d'incendie, d'électrocution et de blessures, toujours suivre les consignes de sécurité de base suivantes :

1. Lisez toutes les directives avant d'utiliser cet appareil.
2. DANGER - Les températures élevées peuvent être générées sous certaines conditions anormales. Ne couvrez et n'obstruez pas partiellement ou totalement l'avant de cet appareil de chauffage. AVERTISSEMENT : Ne couvrez pas l'appareil pour éviter qu'il surchauffe.
3. AVERTISSEMENT : Ne jamais laisser un chauffage fonctionnant sans surveillance. Une grande prudence est nécessaire si des enfants sans supervision ou des invalides sont à proximité.
4. Cet appareil ne doit pas être utilisé par les enfants, les personnes atteintes d'une déficience physique, sensorielle ou intellectuelle, ou les personnes n'ayant pas l'expérience et les connaissances nécessaires, à moins qu'une personne ne les supervise ou leur donne les instructions nécessaires.
5. Débranchez toujours cet appareil lorsqu'il n'est pas utilisé.
6. N'utilisez pas un appareil muni d'un cordon ou d'une fiche endommagé, qui a subi une défaillance, qui est tombé ou qui a été endommagé de quelque façon que ce soit.
7. Si le cordon d'alimentation est endommagé, il doit être remplacé par le fabricant, par un de ses agents ou par une personne qualifiée afin d'éviter tout danger.
8. N'utilisez pas cet appareil à l'extérieur.
9. Cet appareil n'est pas conçu pour être utilisé dans une salle de bains, une salle de lavage ou tout autre endroit humide semblable. Ne placez jamais cet appareil à un endroit où il risquerait de tomber dans une baignoire ou un autre contenant rempli d'eau.
10. Évitez de placer le cordon sous un tapis. Ne couvrez pas le cordon avec une carpe, un tapis de passage ou un autre article semblable. Placez le cordon dans un endroit peu passant et où il ne pourra pas être accroché.
11. Pour débrancher cet appareil, tournez les commandes en position d'arrêt, puis retirez la fiche de la prise.
12. Brancher uniquement dans une prise de courant munie d'une mise à la terre. Cet appareil de chauffage a été conçu pour être utilisé sous une tension de 120 V. La fiche du cordon est montrée à la figure 1 en A. Ne pas utiliser d'adaptateur de 3 broches à 2 broches. Ne jamais utiliser avec une rallonge ou une barre d'alimentation (multiprises).

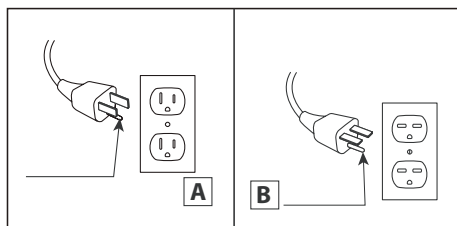
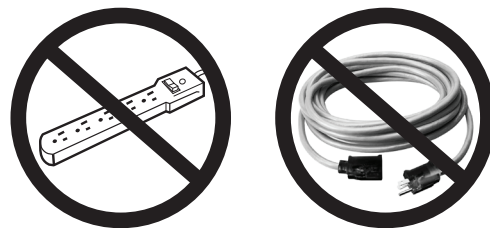


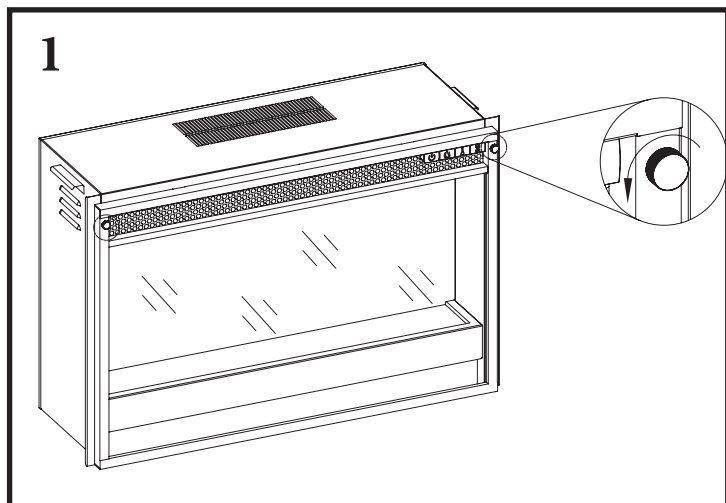
Fig.1



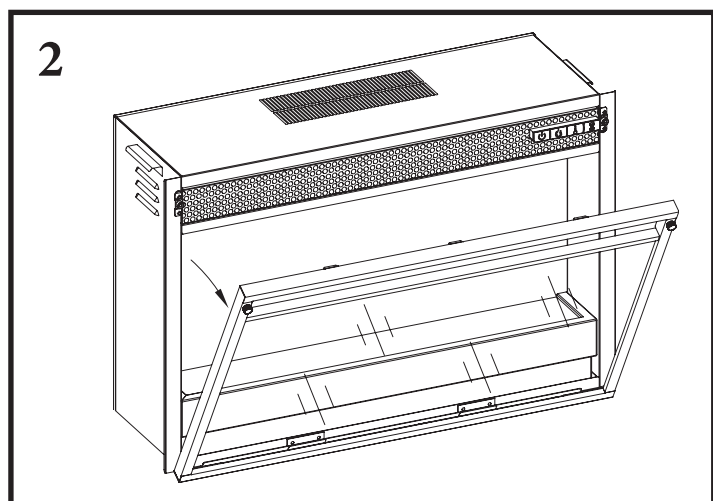
13. Lors de l'installation, veillez à ce que l'appareil soit mis à la terre conformément aux codes locaux, le cas échéant, à la plus récente version du Code canadien de l'électricité, CSA C22.1, ou, dans le cas des installations aux É.-U., aux codes locaux et au code national de l'électricité, ANSI/NFPA no 70.
14. N'insérez jamais un objet, quel qu'il soit, dans les ouvertures de ventilation ou de sortie d'air de l'appareil afin de prévenir les dommages ainsi que les risques de choc électrique et d'incendie.
15. Afin de prévenir les risques d'incendie, ne bloquez jamais les ouvertures d'aération ou de sortie d'air de quelque façon que ce soit. Ne placez pas l'appareil sur une surface molle, comme un lit, car les ouvertures pourraient se bloquer.
16. Cet appareil renferme des pièces chaudes qui produisent des arcs électriques ou des étincelles. N'utilisez pas l'appareil là où de l'essence, de la peinture ou des liquides inflammables sont utilisés ou entreposés. Ce foyer ne doit pas être utilisé pour faire sécher les vêtements. Ne suspendez pas de bas de Noël ou d'autres décorations sur ou à proximité de ce produit.
17. N'utilisez cet appareil que pour l'usage prévu dans ce manuel. Toute autre utilisation de l'appareil qui n'est pas prévue par le fabricant peut provoquer un incendie, un choc électrique ou des blessures.

CONSERVER CES INSTRUCTIONS

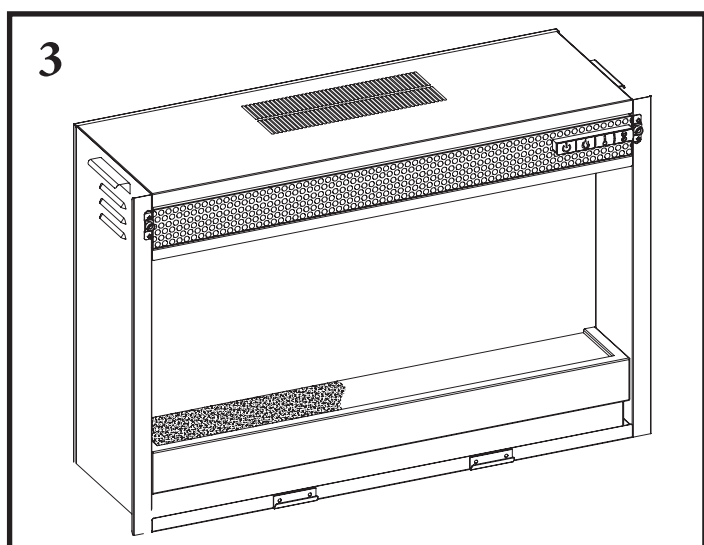
INSTRUCTIONS D'INSTALLATION



1. Localisez et désserez les 2 vis dans le sens contraire des aiguilles d'une montre pour desserrer la vitre d'insert de la cheminée.

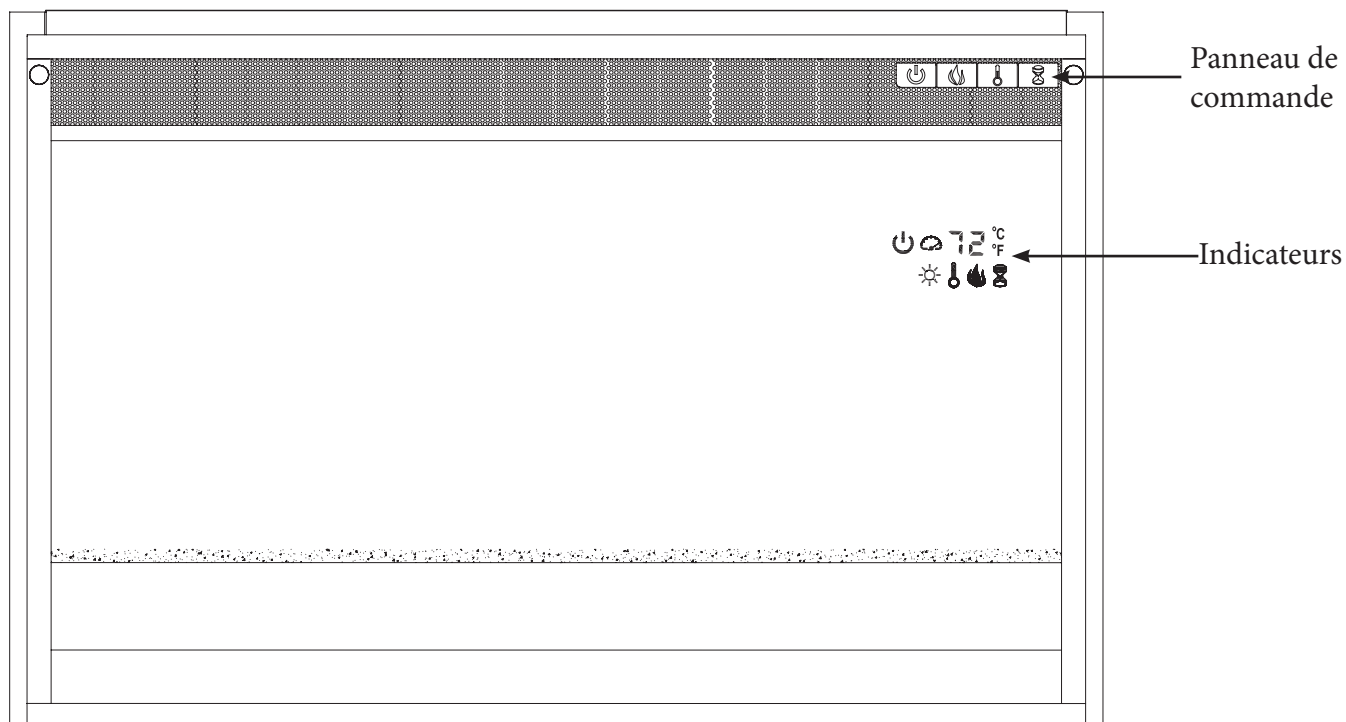


2. Retirez la vitre d'insert de l'insert.

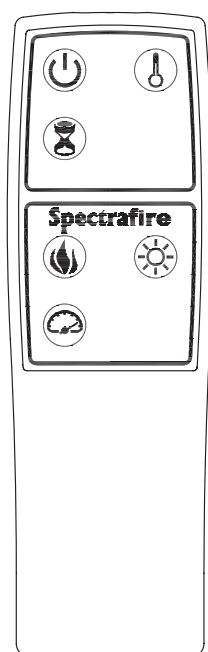


3. Placez le verre réfléchissant du feu comme souhaité. Réinstallez la vitre d'insert en tournant les vis d'angle dans le sens des aiguilles d'une montre.






INSTRUCTIONS D'OPÉRATION



Lorsqu'une fonction est changée sur le panneau de commande ou sur la télécommande il y aura un indicateur correspondant. L'indicateur montre la fonction qui a changée et le niveau sélectionné. Quand la fonction est éteinte, l'indicateur correspondant clignotera plusieurs fois avant de s'éteindre graduellement.



INSTRUCTIONS D'OPÉRATION

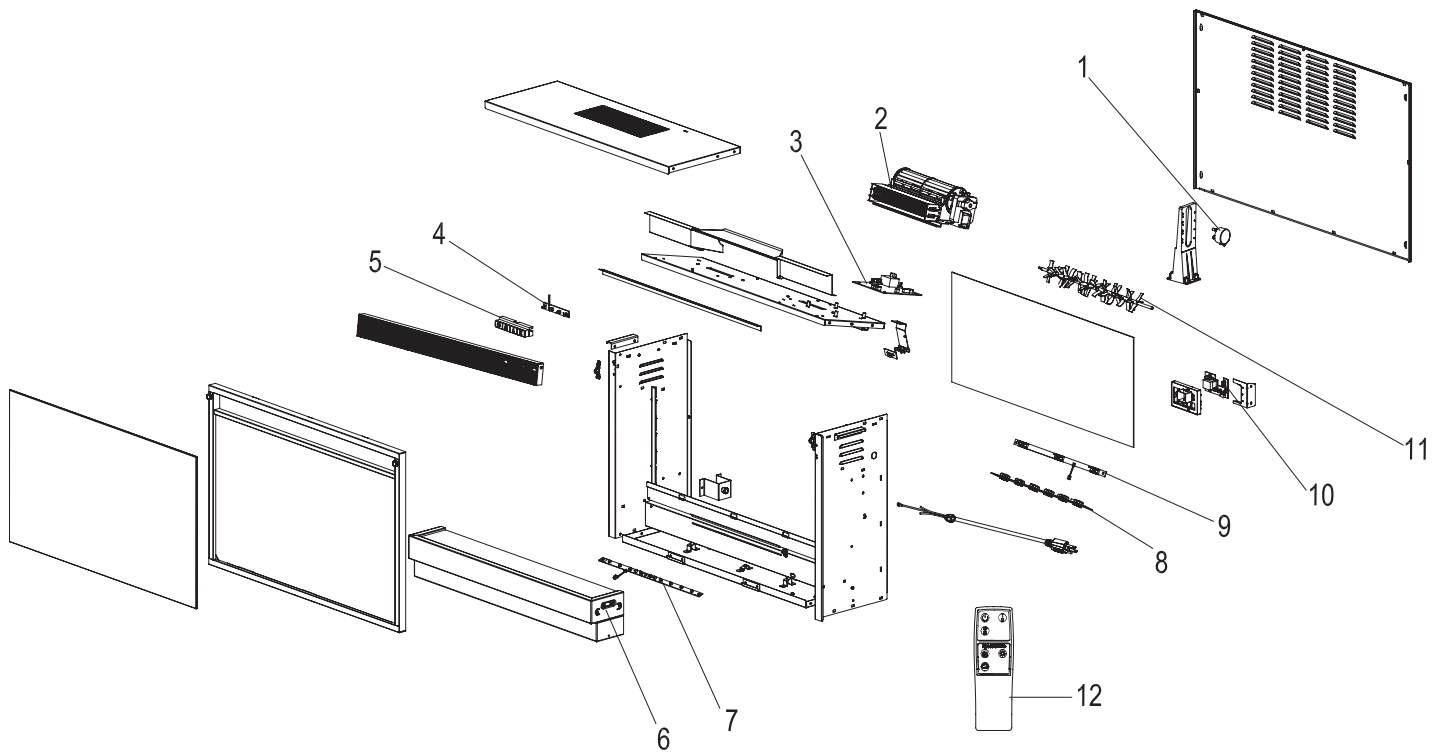
FONCTION	ICÔNE	DESCRIPTION
CHAUFFERETTE		<p>Le foyer contient un élément de chauffage à pulso-radiateur.</p> <p>La température par défaut est de 72 °F (22 °C). La plage de réglage du thermostat est de 17°C à 27°C (62°F à 82°F) ou à fonctionnement en continu.</p> <p>Le thermostat est réglable de incréments par 2°F ou 1°C.</p> <p>Le bouton sur la télécommande peut seulement allumer ou éteindre le foyer au réglage sélectionné sur le panneau de commande.</p> <p>Pour passer de l'affichage en degrés °F à degrés °C, pressez et maintenez pendant 3 secondes le bouton de chauffage (HEATER) sur le panneau de commande.</p>
MINUTERIE		<p>De presser sur le bouton de minuterie (timer) permet de cycler entre les divers réglages de minuterie ; 30 minutes, 1 heure, 2, 3, 4, 5, 6, 7, 8, 9 heures et éteint.</p>
COULEUR DU SPECTRAFIRE		<p>Il y a 5 effets unique Spectrafire qui peuvent être sélectionnés.</p> <ul style="list-style-type: none">1: Spectrafire2 : Saphir3 : Améthyste4 : Feu de camp5 : Feu de nuit <p>AU : Auto cycle qui fera automatiquement un fondu d'un nouvel effet de couleur de flamme périodiquement.</p>
INTENSITÉ DU SPECTRAFIREY		<p>L'intensité est ajustable uniquement à partir de la télécommande.</p> <p>Chaque option de couleur de flamme Spectrafire a 5 options d'intensité disponible.</p>
VITESSE DU SPECTRAFIRE		<p>La vitesse de la flamme est ajustable uniquement à partir de la télécommande.</p> <p>Chaque option de couleur de flamme Spectrafire a l'option de vitesse disponible.</p> <p>Le paramètre 1 est le plus lent allant au paramètre 5 qui est le plus rapide.</p>

DÉPANNAGE

Problème	Cause probable	Action corrective
L'affichage indique " E I ".	Le capteur du thermostat est brisé ou déconnecté.	Débrancher le foyer, retirer le panneau arrière du foyer et vérifier que le thermostat est branché sur la plaquette de circuit principale. Si cela ne résout pas le problème, contacter le service à la clientèle pour demander un capteur de thermostat de rechange.
L'affichage indique " E Z ".	Le capteur du thermostat est brisé.	Contactez le service à la clientèle pour un capteur de thermostat de rechange.
L'affichage indique " E X ".	La protection à réinitialisation manuelle contre la surchauffe s'est déclenchée.	Inspecter la chaufferette et vérifier que les entrées et les sorties d'air ne sont pas obstruées car cela peut causer une surchauffe. Débrancher la chaufferette pendant 30 minutes et la laisser refroidir. Rebranchez-la et faites-la fonctionner, en surveillant le chauffage pour des signes de surchauffe, si le problème persiste cessez d'utiliser le chauffage et contactez le service à la clientèle.
L'affichage indique " E r ".	Le cordon protection contre la surchauffe a été activé.	Vérifier votre cordon du chauffage et les prises enfichables. Un branchement défectueux ou des prises mal fixées peuvent causer une surchauffe de la prise de courant murale ou du connecteur. S'assurer que le connecteur tient bien fermement dans la prise de courant murale. Les chauffages consomment plus de courant que les petits appareils électriques, la surchauffe de la prise de courant murale peut survenir même si elle ne s'est pas produite avec l'utilisation d'autres appareils. Pendant l'utilisation vérifier fréquemment afin de déterminer si votre prise de courant murale ou votre façade est CHAUDE ! Si c'est le cas, cesser d'utiliser l'utilisation du chauffage et faites vérifier et/ou remplacer par un électricien qualifié la ou les prises de courant défectueuses.
Le chauffage ne souffle pas d'air chaud.	Cycle de refroidissement.	Fonctionnement normal, continuera de fonctionner pendant une période de fois avant de s'arrêter. Les temps varieront basé sur les températures. Pendant ce temps de l'air froid sera soufflé.
Pas d'alimentation, les bûches ne s'illuminent pas.	L'unité n'est pas en marche / alimentée.	Vérifier que l'unité est branchée directement dans une prise de courant standard à 120 volts. Appuyer plusieurs fois sur le bouton marche/arrêt (Power) et assurez-vous qu'il est à la position de marche ("ON").
Le chauffage ne souffle pas d'air chaud.	Le réglage du thermostat empêche le chauffage de semettre en marche.	Ajuster le réglage de température afin de vous assurer que le réglage du thermostat est réglé à une température plus élevée que la température actuelle de la pièce.
L'effet de flammes fonctionne mais la fonction de chauffage ne marche pas et le lit de braise clignote quand on presse sur le bouton de chauffage (Heater).	Le chauffage est désactivé.	Alors que l'appareil fonctionne, appuyer et maintenir pendant 10 secondes le bouton marche/arrêt (POWER) sur le panneau de commande. Une fois réactivé, l'effet de flammes clignotera plusieurs fois.
La télécommande ne fonctionne pas.	Pas de piles	Changer les piles de la télécommande.
	Mauvais Signal.	Faire fonctionner la télécommande à un rythme lent et mesuré. Appuyer sur les touches de la télécommande avec un même mouvement et une légère pression. Appuyer sur les touches à plusieurs reprises en succession rapide peut entraîner un mauvais fonctionnement de la télécommande.
	Distance	Faites fonctionner la télécommande a une distance de moins de 6 mètres du devant de l'appareil ; Pointer la télécommande sur le panneau de commandes.

VUE EXPLOSIVE

Pièce	Nom de la pièce
1	Moteur d'Entrainement du Générateur de flamme
2	Assemblage Chauffant / Soufflant
3	Carte du Circuit Principal
4	Circuit Imprimé du Panneau de Commande
5	Touches du Panneau de Commande
6	Plateau
7	Carte de circuits plateau
8	Circuit Imprimé de la Flamme
9	Circuit Imprimé de la Flamme Bleue
10	Écran LCD
11	Rotor du Generateur de Flamme
12	Télécommande



ENTRETIEN GÉNÉRAL

- Les moteurs utilisés sur le ventilateur et le générateur d'effet de flamme ont été prégraissés pour prolonger la durée des roulements et n'exigent aucun autre graissage. Toutefois, nous recommandons de nettoyer le ventilateur et le radiateur et d'y passer l'aspirateur périodiquement.
- Assurez-vous que l'appareil est éteint et débranché lorsque vous nettoyez le radiateur ou le foyer.

INFORMATION CONCERNANT FCC/IC

REMARQUE : Cet appareil a été testé et déclaré conforme aux limites imposées aux appareils numériques de classe B, en vertu de l'alinéa 15 du règlement de la FCC. Ces limites sont destinées à assurer une protection raisonnable contre les interférences nuisibles dans un environnement résidentiel. Cet appareil génère, utilise et peut émettre de l'énergie radiofréquence et, s'il n'est pas installé et utilisé conformément aux instructions, risque de provoquer des interférences nuisibles lors de la réception d'émissions de radio ou de télévision (il suffit, pour le vérifier, d'allumer et d'éteindre successivement l'appareil); s'il constate de telles interférences, l'utilisateur devra prendre les mesures nécessaires pour les éliminer. À cette fin, il devra :

- réorienter ou déplacer l'antenne réceptrice;
- accroître la distance entre l'appareil et le récepteur;
- brancher l'appareil sur une prise de courant appartenant à un autre circuit que celui du récepteur;
- obtenir de l'aide auprès du détaillant ou d'un technicien en radio ou en télévision expérimenté.

Cet appareil est conforme à l'alinéa 15 du règlement de la FCC. Son utilisation est soumise aux deux conditions suivantes :

- (1) cet appareil ne doit provoquer aucune interférence nuisible; et
- (2) cet appareil doit accepter toute interférence reçue, y compris les interférences pouvant entraîner un fonctionnement indésirable.

Les modifications non autorisées expressément par la partie responsable de la conformité peuvent annuler le droit de l'utilisateur de se servir de cet appareil.

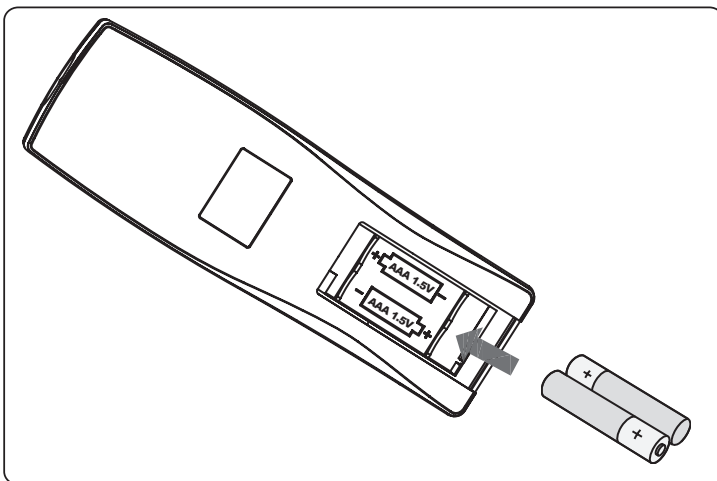
Cet appareil numérique de classe B est conforme à la norme NMB-003 du Canada.

REEMPLACEMENT DES PILES

Note: Ne pas mélanger les piles usagées et neuves.

Ne pas mélanger les piles alcalines, standard (carbone/zinc) ou rechargeables (ni-cad, NiMh, etc.)

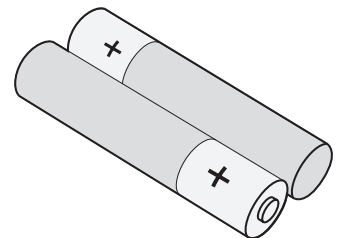
Mise en garde au cas d'ingestion.



Remarque:

Disposition des piles

Veillez toujours disposer des piles dans un site de recyclage adéquat.



ATTENTION

- S'assurer de toujours acheter la taille et la catégorie exactes de piles les mieux adaptées à l'utilisation prévue.
- Remplacer toutes les piles d'un groupe en même temps.
- Nettoyer les surfaces de contact de la pile et celles du compartiment avant d'installer les piles.
- S'assurer que les piles sont correctement mises en ce qui concerne la polarité (+ et -).
- Enlever les piles de tout appareil qui ne sera pas utilisé pendant longtemps.
- Enlever les vieilles piles rapidement.

GARANTIE LIMITÉE DE 1 AN

Le fabricant garantit que votre nouveau foyer électrique est exempt de défaut de fabrication ou de matériaux durant une année à partir de la date d'achat, en tenant compte des conditions et des restrictions suivantes.

1. Respectez en tout temps les directives d'installation et le mode d'emploi fournis avec ce foyer électrique lorsque vous installez et que vous utilisez ce produit. Toute modification non autorisée, abus volontaire, accident ou mauvaise utilisation du produit invalide la présente garantie.
2. Cette garantie n'est pas transférable et n'est offerte qu'à l'acheteur d'origine, tant que l'achat a été conclu chez un fournisseur autorisé du produit.
3. La garantie se limite à la réparation ou au remplacement des pièces qui présentent des défauts de matériaux ou de fabrication, tant que ces pièces ont fait l'objet d'une utilisation et d'un entretien normaux, une fois un tel défaut confirmé par l'inspection effectuée par le fabricant.
4. Le fabricant peut, à sa discrétion, s'acquitter de toute obligation en vertu de la présente garantie en remboursant le prix de gros des pièces défectueuses.
5. Tout frais d'installation, de main-d'œuvre, de fabrication, de transport, ou d'autres frais connexes découlant des pièces défectueuses, de la réparation, du remplacement ou d'une intervention du même type, ne sont pas couverts par la présente garantie et le fabricant n'assume aucune responsabilité à cet égard.
6. Le propriétaire ou l'utilisateur assume tous les risques, le cas échéant, incluant le risque de pertes ou dommages directs, indirects ou consécutifs découlant de l'utilisation de l'appareil, ou de l'incapacité à utiliser l'appareil, sauf conformément aux dispositions de la loi.
7. Toutes les autres garanties, explicites ou implicites, sur le produit, ses composants et ses accessoires ainsi que toute autre obligation ou responsabilité du fabricant sont expressément exclues par les présentes.
8. Le fabricant n'assume ni n'autorise un tiers à assumer, en son nom, toute autre responsabilité quant à la vente de ce produit.
9. Les garanties énoncées dans le présent document ne couvrent pas les accessoires utilisés au cours de l'installation de ce produit.
10. Cette garantie vous confère des droits particuliers et vous pourriez aussi avoir d'autres droits qui varient d'une province ou d'un État à l'autre.

Cette garantie sera annulée si :

- a. Le foyer est exposé à l'humidité ou à la condensation pendant des périodes prolongées.
- b. Le produit a fait l'objet d'une modification non autorisée, d'un abus volontaire ou d'une mauvaise utilisation, ou a subi un accident.
- c. Vous n'avez pas le reçu de vente original.

SERVICE À LA CLIENTÈLE

www.tsicustomerservice.com

Pour le Service Clientèle Appeler le 1-866-661-1218

Des questions ? Nos experts attendent votre appel sans frais, nous pouvons vous aider avec l'assemblage et au besoin, remplacer des pièces manquantes ou endommagées. L'assistance est disponible 7 jours par semaine /24 heures par jour /365 jours par année.

IMPORTANT :

Avant de contacter le service à la clientèle, assurez-vous d'avoir en main l'information suivante :

- Numéro de série
- Numéro de modèle
- Votre facture d'achat ou une preuve d'achat

TWIN-STAR[®] 
INTERNATIONAL
HOME FURNISHINGS

www.tsicustomerservice.com