

# RCA

## Two-Line Speakerphone with Call Waiting Caller ID User's Guide

Please read this manual before  
operating this product for the  
first time.



**Model 25204**

## Important Information

---

### Equipment Approval Information

Your telephone equipment is approved for connection to the Public Switched Telephone Network and is in compliance with parts 15 and 68, FCC Rules and Regulations and the Technical Requirements for Telephone Terminal Equipment published by ACTA.

#### 1 Notification to the Local Telephone Company

On the bottom of this equipment is a label indicating, among other information, the US number and Ringer Equivalence Number (REN) for the equipment. You must, upon request, provide this information to your telephone company.

The REN is useful in determining the number of devices you may connect to your telephone line and still have all of these devices ring when your telephone number is called. In most (but not all) areas, the sum of the RENs of all devices connected to one line should not exceed 5. To be certain of the number of devices you may connect to your line as determined by the REN, you should contact your local telephone company.

A plug and jack used to connect this equipment to the premises wiring and telephone network must comply with the applicable FCC Part 68 rules and requirements adopted by the ACTA. A compliant telephone cord and modular plug is provided with this product. It is designed to be connected to a compatible modular jack that is also compliant. See installation instructions for details.

#### Notes

- This equipment may not be used on coin service provided by the telephone company.
- Party lines are subject to state tariffs, and therefore, you may not be able to use your own telephone equipment if you are on a party line. Check with your local telephone company.
- Notice must be given to the telephone company upon permanent disconnection of your telephone from your line.
- If your home has specially wired alarm equipment connected to the telephone line, ensure the installation of this product does not disable your alarm equipment. If you have questions about what will disable alarm equipment, consult your telephone company or a qualified installer.

**US Number is located on the cabinet bottom**

**REN number is located on the cabinet bottom**

#### 2 Rights of the Telephone Company

Should your equipment cause trouble on your line which may harm the telephone network, the telephone company shall, where practicable, notify you that temporary discontinuance of service may be required. Where prior notice is not practicable and the circumstances warrant such action, the telephone company may temporarily discontinue service immediately. In case of such temporary discontinuance, the telephone company must: (1) promptly notify you of such temporary discontinuance; (2) afford you the opportunity to correct the situation; and (3) inform you of your right to bring a complaint to the Commission pursuant to procedures set forth in Subpart E of Part 68, FCC Rules and Regulations.

---

## Important Information

The telephone company may make changes in its communications facilities, equipment, operations or procedures where such action is required in the operation of its business and not inconsistent with FCC Rules and Regulations. If these changes are expected to affect the use or performance of your telephone equipment, the telephone company must give you adequate notice, in writing, to allow you to maintain uninterrupted service.

### Interference Information

This device complies with Part 15 of the FCC Rules. Operation is subject to the following two conditions: (1) This device may not cause harmful interference; and (2) This device must accept any interference received, including interference that may cause undesired operation.

This equipment has been tested and found to comply with the limits for a Class B digital device, pursuant to Part 15 of the FCC Rules. These limits are designed to provide reasonable protection against harmful interference in a residential installation.

This equipment generates, uses, and can radiate radio frequency energy and, if not installed and used in accordance with the instructions, may cause harmful interference to radio communications. However, there is no guarantee that interference will not occur in a particular installation.

Privacy of Communications may not be ensured when using this product.

If this equipment does cause harmful interference to radio or television reception, which can be determined by turning the equipment off and on, the user is encouraged to try to correct the interference by one or more of the following measures:

- Reorient or relocate the receiving antenna (that is, the antenna for radio or television that is "receiving" the interference).
- Reorient or relocate and increase the separation between the telecommunications equipment and receiving antenna.
- Connect the telecommunications equipment into an outlet on a circuit different from that to which the receiving antenna is connected.

If these measures do not eliminate the interference, please consult your dealer or an experienced radio/television technician for additional suggestions. Also, the Federal Communications Commission has prepared a helpful booklet, "How To Identify and Resolve Radio/TV Interference Problems." This booklet is available from the U.S. Government Printing Office, Washington, D.C. 20402. Please specify stock number 004-000-00345-4 when ordering copies.

Notice: The changes or modifications not expressly approved by the party responsible for compliance could void the user's authority to operate the equipment.

### Licensing

Licensed under US Patent 6,427,009.

### Hearing Aid Compatibility

This telephone system meets FCC standards for Hearing Aid Compatibility.



## Table of Contents

---

<b>IMPORTANT INFORMATION .....</b>	<b>2</b>	<b>TELEPHONE OPERATION .....</b>	<b>19</b>
<b>EQUIPMENT APPROVAL INFORMATION .....</b>	<b>2</b>	<b>TELEPHONE OPERATION.....</b>	<b>19</b>
<b>INTERFERENCE INFORMATION .....</b>	<b>3</b>	<b>MAKING CALLS WITH THE HANDSET.....</b>	<b>19</b>
<b>LICENSING .....</b>	<b>3</b>	<b>MAKING CALLS WITH THE SPEAKERPHONE .....</b>	<b>19</b>
<b>HEARING AID COMPATIBILITY.....</b>	<b>3</b>	<b>MAKING CALLS WITH THE OPTIONAL HEADSET.....</b>	<b>19</b>
<b>INTRODUCTION .....</b>	<b>6</b>	<b>RECEIVING CALLS WITH THE HANDSET.....</b>	<b>20</b>
<b>BASE LAYOUT.....</b>	<b>7</b>	<b>RECEIVING CALLS WITH THE SPEAKERPHONE.....</b>	<b>20</b>
<b>CONNECTIONS AND SETUP.....</b>	<b>7</b>	<b>RECEIVING CALLS WITH THE OPTIONAL HEADSET ..</b>	<b>20</b>
<b>PARTS CHECKLIST .....</b>	<b>8</b>	<b>SWITCHING BETWEEN THE SPEAKERPHONE, HANDSET,</b>	
<b>TELEPHONE JACK REQUIREMENTS.....</b>	<b>8</b>	<b>AND HEADSET .....</b>	<b>21</b>
<b>INSTALLATION .....</b>	<b>8</b>	<b>PRE-DIALING TELEPHONE NUMBERS .....</b>	<b>21</b>
<b>IMPORTANT INSTALLATION INFORMATION .....</b>	<b>8</b>	<b>CALL TIMER.....</b>	<b>21</b>
<b>INSTALLING THE PHONE.....</b>	<b>9</b>	<b>MUTE.....</b>	<b>21</b>
<b>ATTACHING THE DESKTOP PEDESTAL.....</b>	<b>11</b>	<b>HOLD .....</b>	<b>22</b>
<b>DATA PORT.....</b>	<b>11</b>	<b>PLACING A CALL ON HOLD.....</b>	<b>22</b>
<b>WALL MOUNTING THE PHONE .....</b>	<b>12</b>	<b>RELEASING A CALL FROM HOLD.....</b>	<b>22</b>
<b>PROGRAMMING THE TELEPHONE .....</b>	<b>13</b>	<b>FLASH .....</b>	<b>22</b>
<b>DISPLAY LANGUAGE.....</b>	<b>13</b>	<b>REDIAL .....</b>	<b>22</b>
<b>MANUALLY SETTING THE DATE AND TIME .....</b>	<b>13</b>	<b>VOLUME .....</b>	<b>22</b>
<b>HOOR FORMAT .....</b>	<b>14</b>	<b>RINGER VOLUME.....</b>	<b>22</b>
<b>LCD CONTRAST.....</b>	<b>14</b>	<b>SPEAKERPHONE, HANDSET, AND HEADSET VOLUME</b>	<b>23</b>
<b>LCD BACKLIGHT.....</b>	<b>15</b>	<b>CONFERENCE.....</b>	<b>23</b>
<b>RING TONE.....</b>	<b>15</b>	<b>DO NOT DISTURB .....</b>	<b>23</b>
<b>KEY TONE VOLUME .....</b>	<b>16</b>	<b>VOICE MESSAGING.....</b>	<b>24</b>
<b>CALL ALERT TONE.....</b>	<b>16</b>	<b>CALLER ID .....</b>	<b>25</b>
<b>LOCAL AREA CODE.....</b>	<b>17</b>	<b>CALLER ID (CID).....</b>	<b>25</b>
<b>REGIONAL AREA CODES .....</b>	<b>17</b>	<b>SUMMARY SCREEN.....</b>	<b>25</b>
<b>FLASH TIME .....</b>	<b>18</b>	<b>RECEIVING AND STORING CID RECORDS .....</b>	<b>25</b>
<b>NEW CALL INDICATOR.....</b>	<b>18</b>	<b>REVIEWING CID RECORDS .....</b>	<b>25</b>
<b>RESTORING THE DEFAULTS.....</b>	<b>19</b>	<b>SAVING CID RECORDS TO MEMORY/PHONE</b>	
		<b>DIRECTORY MEMORY.....</b>	<b>26</b>

DELETING A CID RECORD .....	26	STORING A PAUSE .....	29
DELETING ALL CID RECORDS .....	26	DIALING A STORED NUMBER .....	30
DIALING BACK .....	26	CHAIN DIALING .....	30
IF YOU PROGRAMMED YOUR LOCAL AREA CODE IN THE SETUP MENU.....	26	DELETING ALL DIRECTORY MEMORY.....	31
IF YOU DID NOT PROGRAM YOUR LOCAL AREA CODE IN THE SETUP MENU.....	27	AUTO REDIAL FUNCTION.....	31
CALL WAITING CALLER ID.....	27	<b>OTHER INFORMATION .....</b>	<b>32</b>
<b>MEMORY .....</b>	<b>28</b>	AUDIO TONE ADJUSTMENT.....	32
<b>DIRECT ACCESS MEMORY &amp; DIRECTORY</b>		DISPLAY MESSAGES.....	32
<b>MEMORY.....</b>	<b>28</b>	TROUBLESHOOTING GUIDE .....	32
<b>STORING A NAME AND NUMBER IN MEMORY...28</b>		GENERAL PRODUCT CARE.....	33
<b>REVIEWING STORED NAMES &amp; NUMBERS .....</b>	<b>29</b>	SERVICE .....	34
<b>CHANGING A STORED NAME OR NUMBER.....29</b>		LIMITED WARRANTY .....	35
<b>STORING THE LAST NUMBER DIALED.....29</b>		<b>INDEX.....</b>	<b>37</b>
		<b>ACCESSORY INFORMATION.....</b>	<b>39</b>

**WARNING: TO PREVENT FIRE OR ELECTRICAL SHOCK HAZARD, DO NOT EXPOSE THIS PRODUCT TO RAIN OR MOISTURE.**

	<p><b>CAUTION:</b> RISK OF ELECTRIC SHOCK DO NOT OPEN</p>	
<p>THE LIGHTNING FLASH AND ARROW HEAD WITHIN THE TRIANGLE IS A WARNING SIGN ALERTING YOU OF "DANGEROUS VOLTAGE" INSIDE THE PRODUCT.</p>	<p>CAUTION: TO REDUCE THE RISK OF ELECTRIC SHOCK, DO NOT REMOVE COVER (OR BACK). NO USER SERVICEABLE PARTS INSIDE. REFER SERVICING TO QUALIFIED SERVICE PERSONNEL.</p>	<p>THE EXCLAMATION POINT WITHIN THE TRIANGLE IS A WARNING SIGN ALERTING YOU OF IMPORTANT INSTRUCTIONS ACCOMPANYING THE PRODUCT.</p>
<p>SEE MARKING ON BOTTOM / BACK OF PRODUCT</p>		

## Introduction

---



*CAUTION: When using telephone equipment, there are basic safety instructions that should always be followed. Refer to the IMPORTANT SAFETY INSTRUCTIONS provided with this product and save them for future reference.*

Your Caller ID phone stores and displays specific information, provided by your local telephone company, to subscribers of Caller ID or similar caller identification services.

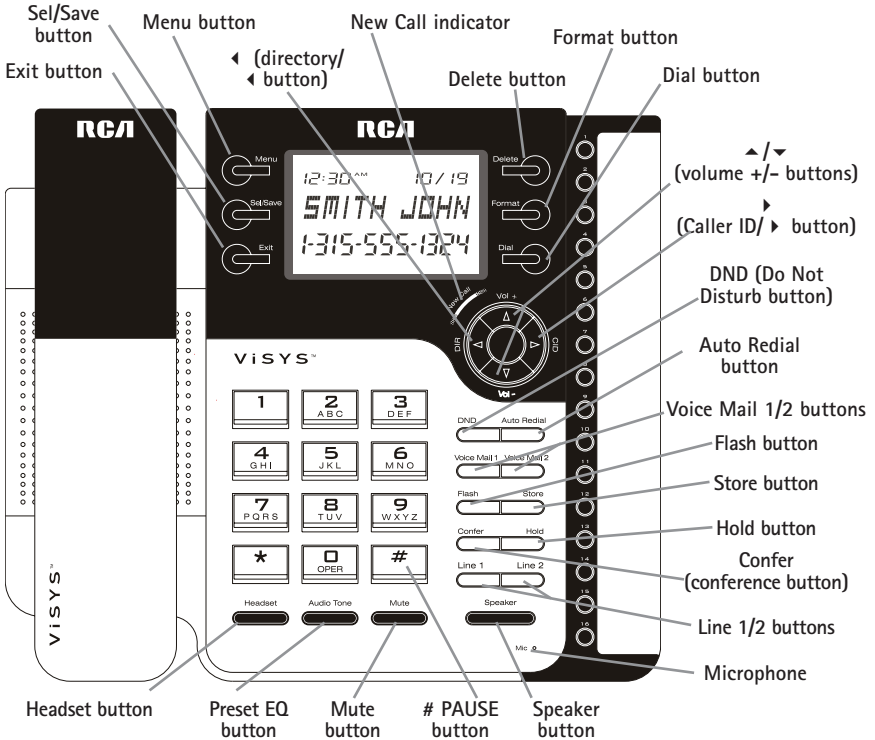
Your Caller ID phone enables you to:

- Identify callers before you answer the phone.
- View the time and date of each incoming call.
- Record up to 99 Caller ID messages sequentially.
- Know who called while you were away.

To get the most from your new phone, we suggest that you take a few minutes right now to read through this user's guide.

*IMPORTANT: In order to use this unit, you must subscribe to either the standard Name/Number Caller ID Service or Caller ID with Call Waiting Service. To know who is calling while you are on the phone, you must subscribe to Caller ID with Call Waiting Service.*

Base Layout

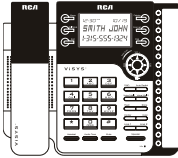


# Connections and Setup

---

## Parts Checklist

Make sure your package includes the following items:



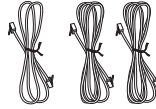
Base



Handset



Handset cord

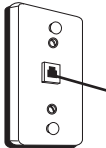


Line cords



AC power adaptor

### Wall plate



Modular telephone line jack

## Telephone Jack Requirements

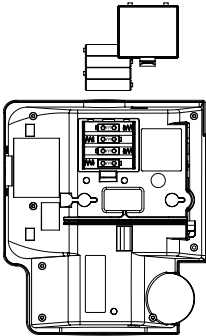
To use this phone, you will need one RJ14C or two RJ11C type modular phone jacks, which might look like the one pictured here, installed in your home/office.

## Installation

### Important Installation Information

- Never install telephone wiring during a lightning storm.
- Never touch uninsulated telephone wires or terminals, unless the telephone line has been disconnected at the network interface.
- Use caution when installing or modifying telephone lines.
- Never install telephone jacks in wet locations unless the jack is specifically designed for wet locations.





### Installing the Phone

1. Choose an area near an electrical outlet and telephone wall jack. Your phone should be placed on a level surface, such as a table top or desk.
2. Install 4 AAA-size alkaline batteries (not included) for back up power in the event of a power failure.
  - Use a tool to press the lock and then open the battery compartment door located on the bottom of the phone.
  - Insert the batteries as shown on the diagram inside the battery compartment.
  - Snap the battery compartment door back into place.

*NOTE: If REPLACE BATTERY appears in the display, you need to replace the batteries. It is important that you replace them as soon as possible to maintain unit operation when electrical power is off. As a precaution, you may want to write down any stored information you do not want erased.*

*IMPORTANT: If you are not going to use the telephone for more than 30 days, remove the batteries because they can leak and damage the unit.*

3. Connect the AC power adaptor to an electrical outlet and the DC connector to the back of the base.

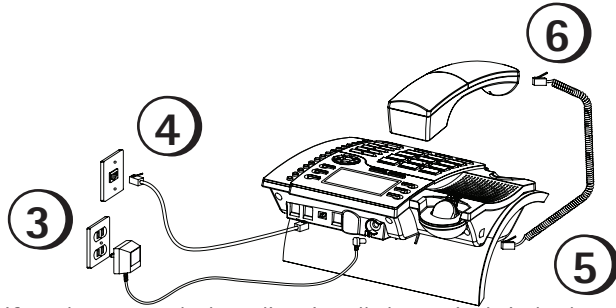


*CAUTION: Use only the Thomson Inc. 5-2719 power adaptor that came with this unit. Using other power adaptors may damage the unit. This power adaptor is intended to be correctly orientated in a vertical or floor mount position.*

4. Connect the telephone line cords:

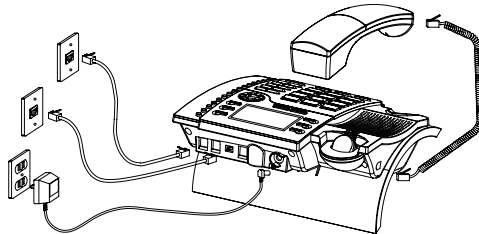
## Connections and Setup

---



If you have two telephone lines installed on a single jack, plug one end of the straight telephone line cord into the jack marked LINE 1+2 on the back of the base. Plug the other end into the 2-line wall jack.

If you have two separate telephone line jacks, plug one telephone line cord into the jack marked LINE 1+2 and another cord into the jack marked LINE 2. Plug the other end of each line cord into separate wall jacks.



*NOTE: To use two line, you must have two telephone lines with unique telephone numbers. If you only have one telephone line, this phone will still operate, but only as a single line telephone.*

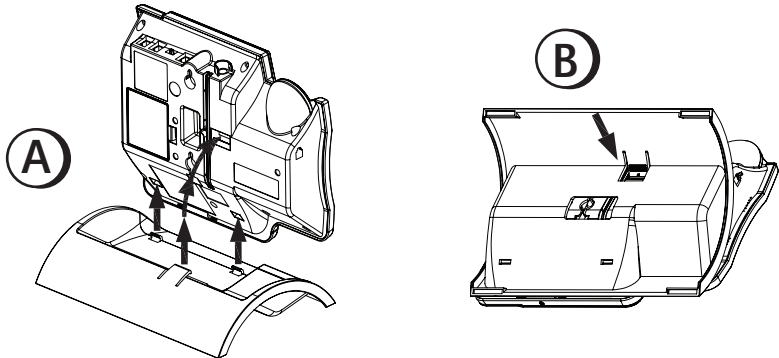
### 5. Connect the handset cord:

Plug one end of the coiled handset cord into the side of the base and the other end into the jack on the handset, and place the handset in the cradle.

### 6. Check for a dial tone. Lift the handset and listen for a dial tone. If you hear a dial tone, the phone is properly installed.

### Attaching the Desktop Pedestal

1. Turn the phone over so that the bottom of the base is facing up and the end with data port and line jacks is pointing away from you.
2. Turn the desktop pedestal so that the side with four rectangle rubber feet is facing you.
3. Insert the tabs on the pedestal into the two lower slots on the bottom of the base, then push the pedestal downward until the tab on the top of the pedestal snaps (lock) into place.



### Data Port

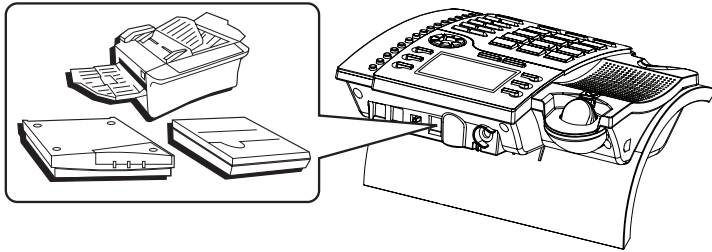
This phone has a DATA PORT jack to connect an auxiliary phone device, such as a fax machine, computer modem, answering machine, or even a cordless phone.

The DATA PORT switch on the back of the phone controls the DATA PORT jack so you can choose line 1 or line 2.

## Connections and Setup

---

Use the DATA PORT jack to hook up your fax machine, for example, and then set the DATA PORT switch to 2 in order to receive faxes on the phone number for line 2.



If you are talking to someone on line 2 and want them to fax something to you, change the DATA PORT switch to 1 and give him the phone number for line 1. Your fax machine can now receive calls on line 1.

*IMPORTANT: Be sure to switch the fax machine back to the normal line when you are done because outside callers who do not know that you have multiple lines will not be able to reach your fax machine if they dial the normal fax line.*

### Wall Mounting the Phone

1. Remove the desktop stand from the base of the phone if it is already attached to the base unit.
2. Thread the AC adaptor cord through the cord channel on the bottom of the phone.
3. Connect the line cord to the wall jack and the phone.
4. Slip the mounting circles on the bottom of the phone over the wall plate posts and firmly slide the unit down into place.
5. Plug the AC adaptor cord into the power outlet.

### Programming the Telephone

#### Display Language

You may set the display language to English, French, or Spanish. The default is English.

1. Press the MENU button.
2. Use the ▲ or ▼ button to scroll to *DISPLAY SETTING*.
3. Press Sel/Save.
4. Use the ▲ or ▼ button to scroll to *LANGUAGE*.
5. Press Sel/Save.
6. Use the ▲ or ▼ button to select the language.
7. When finished, press Sel/Save to save. To start over, press EXIT to return to the main menu and repeat step 2.

#### Manually Setting the Date and Time

*NOTE: If you do not manually set the time and date, it is automatically set when you receive your first Caller ID call. The unit resets the hour and minute each time a call is received.*

1. Press the MENU button.
2. Use the ▲ or ▼ button to scroll to *DISPLAY SETTING*.
3. Press Sel/Save.
4. Use the ▲ or ▼ button to scroll to *TIME & DATE*.
5. Press Sel/Save.
6. Use the ▲ or ▼ button to scroll to the desired Month.
7. Press Sel/Save to save. The cursor moves to the Date field.
8. Use the ▲ or ▼ button to select the Date.
9. Press Sel/Save to save. The cursor moves to the Hour field.

## Connections and Setup

---

10. Use the ▲ or ▼ button to select the Hour.
11. Press Sel/Save to save. The cursor moves to the Minute field.
12. Use the ▲ or ▼ button to select the Minute.
13. Press Sel/Save to save. To start over, press EXIT to return to the main menu and repeat step 2.

### Hour Format

You can set the clock for either 12-hour or 24-hour (military) format. The default is 12 hour.

1. Press the MENU button.
2. Use the ▲ or ▼ button to scroll to *DISPLAY SETTING*.
3. Press Sel/Save.
4. Use the ▲ or ▼ to scroll to *HOUR FORMAT*.
5. Press Sel/Save.
6. Use the ▲ or ▼ to scroll between *12 HOUR* and *24 HOUR*.
7. Press Sel/Save to save. To start over, press EXIT to return to the *HOUR FORMAT* menu.

### LCD Contrast

1. Press the MENU button.
2. Use the ▲ or ▼ button to scroll to *DISPLAY SETTING*.
3. Press Sel/Save.
4. Use the ▲ or ▼ button to scroll to *LCD CONTRAST*.
5. Press Sel/Save button.
6. Use the ▲ or ▼ button to adjust the LCD contrast.
7. Press Sel/Save to save. To start over, press EXIT to return to the *LCD CONTRAST* menu.

### LCD Backlight

1. Press the MENU button.
2. Use the ▲ or ▼ button to scroll to *DISPLAY SETTING*.
3. Press Sel/Save.
4. Use the ▲ or ▼ button to scroll to *LCD BACKLIGHT*.
5. Press Sel/Save button.
6. Use the ▲ or ▼ button to select *AUTOMATIC* or *ALWAYS ON*.

*NOTE: If you select the option AUTOMATIC, the LCD will be turned on during incoming call or when a button is pressed. If you select the option ALWAYS ON, the LCD backlight will become always turned on.*

7. Press Sel/Save to save. To start over, press EXIT to return to the *LCD BACKLIGHT* menu.

### Ring Tone

Each line can have its own ring tone selection.

1. Press the MENU button.
2. Use the ▲ or ▼ button to scroll to *SOUND SETTING*.
3. Press Sel/Save button.
4. Use the ▲ or ▼ button to scroll to *RING TONE*.
5. Press Sel/Save button.
6. Press ◀ or ▶ to select L1 or L2 for ring tone change.
7. Then, use the ▲ or ▼ button to scroll the tone selection. There are 7 ring tones for you to select from.
8. Press Sel/Save to save. To start over, press EXIT to return to the *SOUND SETTING* submenu and repeat step 5.

### Key Tone Volume

1. Press the MENU button.
2. Use the ▲ or ▼ button to scroll to *SOUND SETTING*.
3. Press Sel/Save button.
4. Use the ▲ or ▼ button to scroll to *KEY TONE VOL*.
5. Press Sel/Save button.
6. Use the ▲ or ▼ button to scroll to *OFF, Low or High*.
7. Press Sel/Save button to save. To start over, press EXIT to return to the *KEY TONE VOL* menu.

### Call Alert Tone

When the call alert tone is turned ON, you hear a call alert tone when you are on the phone and you receive a call on the other line. If you prefer to have incoming calls not interrupt or disturb your ongoing conversation, set the Call Alert Tone to OFF. The default is ON.

1. Press the MENU button.
2. Use the ▲ or ▼ button to scroll to *SOUND SETTING*.
3. Press Sel/Save button.
4. Use the ▲ or ▼ button to scroll to *CALL ALERT*.
5. Press Sel/Save button.
6. Use the ▲ or ▼ button to scroll to *ON* or *OFF*.
7. Press Sel/Save to save. To start over, press EXIT to return to the *CALL ALERT* menu.



### Local Area Code

1. Press the MENU button.
2. Use the ▲ or ▼ button to scroll to *PHONE SETTING*.
3. Press Sel/Save button.
4. Use the ▲ or ▼ button to scroll to *AREA CODE*.
5. Press Sel/Save. *ENTER DIGIT* is displayed.
6. Use the touch-tone pad to enter your area code.

*NOTE: If you make a mistake, press DELETE to clear all three digits and re-enter the area code.*

7. When finished, press Sel/Save to save. To start over, press EXIT to return to the *AREA CODE* menu and repeat step 4.

### Regional Area Codes

Depending on your area, you may need to set regional area codes. These are needed in order for the phone to determine the number format to display when a valid CID signal is received. Calls received that match any of the regional area codes display as 10 digits. If the number is not displayed correctly, the phone may not be able to dial back the number. You can store up to 6 regional area codes.

You may need to use this feature if you have:

- Multiple area codes
- Overlapping area codes
- Areas that require 10-digit dialing.

1. Press the MENU button.
2. Use the ▲ or ▼ button to scroll to *PHONE SETTING*.
3. Press Sel/Save button.
4. Use the ▲ or ▼ button to scroll to *REGIONAL CODE*.
5. Press Sel/Save.

## Connections and Setup

---

6. Use the ▲ or ▼ to scroll to desired code #.
7. Press Sel/Save.
8. Use the touch-tone pad to enter the code. Press DELETE to clear and re-enter all three digits.
9. When finished, press Sel/Save to save and return to *CODE # x*.

### Flash Time

Depending on the services you have with the phone company, you may need to adjust the flash timing. It can be set to 100ms or 600ms. The default is 600ms.

1. Press the MENU button.
2. Use the ▲ or ▼ to scroll to *PHONE SETTING*.
3. Press Sel/Save.
4. Use the ▲ or ▼ to scroll to *FLASH TIME*.
5. Press Sel/Save.
6. Use the ▲ or ▼ to scroll to the desired setting.
7. Press Sel/Save to save. To start over, press EXIT to return to the *FLASH TIME* menu.

### New Call Indicator

1. Press the MENU button.
2. Use the ▲ or ▼ button to scroll to *PHONE SETTING*.
3. Press Sel/Save.
4. Use the ▲ or ▼ button to scroll to *NEW CALL LED*.
5. Press Sel/Save.
6. Use the ▲ or ▼ button to select on or off.

*NOTE: If you select ON, the New Call Indicator will flash after the phone receive a new caller ID. If it is OFF, the New Call Indicator will stay at off status even a new caller ID is received.*

7. Press Sel/Save to save. To start over, press EXIT to return to the *NEW CALL LED* menu.

### Restoring the Defaults

This feature allows you to reset all the menu settings to the original default settings.

1. Press the MENU button.
2. Use the ▲ or ▼ to scroll to *RESTORE SETTING*.
3. Press Sel/Save.
4. Use the ▲ or ▼ to scroll to *YES*.
5. Press Sel/Save to save. To start over, press EXIT to return to the *RESTORE SETTING* menu.

### Telephone Operation

#### Making Calls with the Handset

1. Pick up the handset and the phone automatically selects an open line.
2. Wait for a dial tone.
3. Dial a phone number.
4. Hang up the handset when finished.

#### Making Calls with the Speakerphone

1. Press the SPEAKER button and the phone automatically selects an open line.
2. Wait for a dial tone.
3. Dial a phone number.
4. Press SPEAKER when finished.

#### Making Calls with the Optional Headset

1. Connect a headset to the HEADSET jack on the right side of the base.
2. Adjust the headset to rest comfortably on top of your head and over your ear.
3. Move the microphone to approximately 2 to 3 inches from your mouth.
4. Press the HEADSET button, and the phone automatically selects an open line.
5. Wait for a dial tone.

## Telephone Operation

---

6. Dial a phone number.
7. Press HEADSET when finished.

*NOTE: To converse using the headset, the handset must be placed in the cradle.*

### Receiving Calls with the Handset

When the phone rings, the corresponding line's indicator flashes rapidly.

1. Pick up the handset (your phone automatically selects the ringing line).
2. When you are finished, hang up the handset.

### Receiving Calls with the Speakerphone

When the phone rings, the corresponding line's indicator flashes rapidly.

1. Press the SPEAKER button. The speakerphone turns on and automatically selects a line.
2. When you are finished, press SPEAKER.

### Receiving Calls with the Optional Headset

When the phone rings, the corresponding line's indicator flashes rapidly.

1. Press the HEADSET button, and the phone automatically selects the line using the headset.
2. When you are finished, press HEADSET.

*NOTE: Whether you are making or receiving a call, the caller is disconnected if you press another line without putting the call on hold first.*

*NOTE: To converse using the headset, the handset must be placed in the cradle.*

### Switching Between the Speakerphone, Handset, and Headset

To switch to the speakerphone, press SPEAKER. The speakerphone indicator turns on.

To switch to the handset, pick up the handset. The speakerphone or headset turns off.

To switch to the headset, press HEADSET. The headset indicator turns on. Place the handset in the cradle.

### Pre-Dialing Telephone Numbers

Pre-dialing lets you enter , check , and edit a telephone number before engaging the line. There are several ways to pre-dial a telephone number:

- Manually enter the telephone number, or
- Press one of the 16 memory location buttons, or
- Press DIR, followed by the ▲ or ▼ button to search the phone book memory.
- Press CID, followed by the ▲ or ▼ button to scroll the CID memory, or
- Press the Redial button.

Then -

1. Press the DIAL button. The phone automatically selects a line and turns on the speakerphone.
2. Dial the number showing in the display.

### Call Timer

During a phone conversation, a built-in call timer displays the length of the call in minutes and seconds. When the call is finished, total time shows in the display for about 10 seconds. A call is timed even while it is on hold.

### Mute

To have a private, off-line conversation, use the MUTE feature. The party on the telephone line cannot hear you. A conversation can be muted during speakerphone, handset, or headset use.

1. Press MUTE. The mute indicator turns on.
2. Press MUTE to cancel and return to your phone conversation.

*NOTE: Switching from speakerphone to handset or headset cancels mute.*

## Telephone Operation

---

### Hold

#### Placing a Call on Hold

1. Press HOLD. The indicator for the line on hold flashes blue.
2. Hang up or press another line button.

#### Releasing a Call from Hold

Press the line button for the call on hold. The phone automatically goes into speakerphone mode.

*NOTE: If you want to change modes, lift the handset to switch to the handset, or press the HEADSET button to use the headset.*

### Flash

Use the FLASH button to activate custom calling services such as Call Waiting, which is available through your local telephone company.

### Redial

To quickly redial the last number you dialed (up to 32 digits):

1. Pick up the handset, or press SPEAKER or HEADSET.
2. The line is selected automatically.
3. Wait for a dial tone.
4. Press Auto Redial.

### Volume

The ringer, speaker, and handset/headset volumes can be set independently. Your telephone is preset but may be set to individual taste.

#### Ringer Volume

While the phone is in idle mode, press the Vol + or Vol - button to enter the ringer volume menu.

1. Press the ◀ and ▶ button to select L1 or L2.

2. Use the Vol + or Vol - button to adjust the ring volume. The phone generates a 2-second long sample ring at the select setting for loudness verification.

### **Speakerphone, Handset, and Headset Volume**

While using the phone press the Vol + or Vol - buttons to set the volume to a comfortable level. The phone stores the setting when you release the button.

### **Conference**

This feature lets you connect two calls to make a conference call.

**To connect with two calls:**

1. Make a call and stay in talk mode.
2. Press HOLD.
3. Press the another line button to answer or make a second call
4. When the second call connects, press Confer.

**To disconnect one line,** press the line button for the party you want to continue talking with and the other party is automatically disconnected.

**To disconnect both lines,** hang up the handset or press SPEAKER if you are using the speakerphone or press HEADSET if you are using the headset.

**To keep both parties on-line but talk to one party:**

1. Press the HOLD button to place both lines on hold.
2. To talk with one caller, press the corresponding line button. The other line remains on hold.
3. To resume the conference call with both lines, press Confer.

### **Do Not Disturb**

This feature disables an incoming call ring, within the time duration you selected. You can program the do not disturb duration.

## Telephone Operation

---

1. While the handset is on the cradle, press DND button. The DND indicator flashes.
2. Use the ▲ or ▼ button to select the duration. You may choose from 15 minutes, 30 minutes, 45 minutes, 1 hour, or 2 hours and increase the duration by 1 hour intervals up to 24 hours.
3. Press the Sel/Save button to save your selection.
4. When the Do Not Disturb function is on, the DND indicator flashes. To turn off Do Not Disturb, press the DND button.

*NOTE: When Do Not Disturb is On, you will still receive a ringing line indication, CID information, and New Call indicators.*

### Voice Messaging

Provided your phone company offers voice messaging service and you subscribe to it, the VOICE MAIL indicator on the base flashes to indicate a message is waiting. It stops flashing after the message is reviewed.

*IMPORTANT: You must have the voice mail access code programmed for this feature to work. See "Storing a name and number in memory."*

1. Pick up the handset, or press HEADSET or SPEAKER.
2. Press VOICE MAIL 1 for line 1 voicemail or VOICE MAIL 2 for line 2 voicemail.
3. The unit auto dials the pre-programmed voice mail access number/code so you can access the voice mail stored at the phone company.

#### To Turn Off the Voice Messaging Indicator:

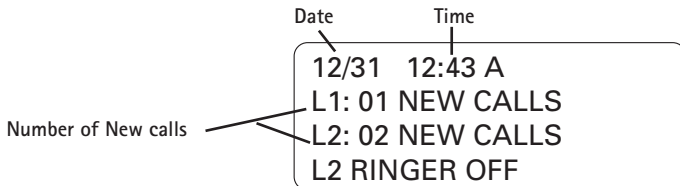
1. In the idle mode, press and hold the Voice Mail 1 button for 2 seconds.
2. Then, the display will show *CLEAR VOICE MAIL INDICATION?*
3. Press Sel/Save button to confirm. Then, the Voice Mail 1 indicator will be turned off.
4. Repeat the above steps and press Voice Mail 2 button instead of Voice Mail 1 button to turn off Voice Mail 2 indicator.



## Caller ID (CID)

### Summary Screen

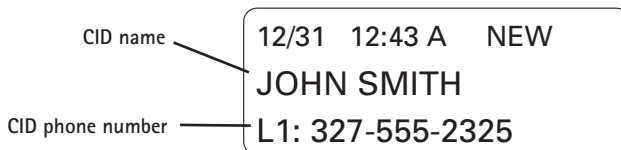
The summary screen shows the current time, current date and number of new calls to be reviewed. It is displayed until any button is pressed. Within 10 seconds of receiving a new call, the new caller information is displayed and the blue NEW CALL indicator flashes.



*NOTE: The number of new calls is displayed until all new calls have been reviewed.*

### Receiving and Storing CID Records

This unit receives and displays information transmitted by your local phone company. This information can include the phone number, date, and time; or the name, phone number, date, and time. The unit stores up to 99 call records for later review. When the call log is full, a new call automatically replaces the oldest call. *NEW* appears in the display for calls received that have not been reviewed.



### Reviewing CID Records

- Press the CID button to enter the CID review menu, then use ▲ or ▼ buttons to scroll through the call records.

*NOTE: When you scroll to the start/end of the list, END OF LIST appears in the display.*

### Saving CID Records to Memory/Phone Directory Memory

1. While a name and telephone number shows in the display, press Sel/Save if you want to edit the information. Then follow the steps in the Storing a Name and Number in Memory section to edit and store the record.
2. If you do not need to edit the name or number, press the STORE button followed by the MEMORY button, or press the DIR button to save the information in the Phone Directory memory.

### Deleting a CID Record

To delete the record showing in the display, press the DELETE button and then press the Sel/Save to confirm deletion.

### Deleting All CID Records

This feature allows you to clear all CID records at once.

1. While viewing the CID record, press and hold the DELETE button for two seconds. *DELETE ALL CID RECORDS?* shows in the display.
2. Press the Sel/Save button again to confirm.

### Dialing Back

When reviewing CID records, you can dial back the numbers showing on the display.

#### If You Programmed Your Local Area Code in the Setup Menu

1. Press the CID button to enter the CID review menu, then use ▲ or ▼ button to scroll to the desired number.
2. Press the DIAL button. If you see a number with 7 digits (i.e. 555-1234), then the call is received from within your area code. However, this does not guarantee the call is a local call. If you see a number with 11 digits (i.e. 1-234-555-1234), then the call received was not from your area code. If the viewing number is not a Direct Dial Number provided by the phone company, the unit displays *CHANGE FORMAT?*

3. To adjust the phone number format, press the **FORMAT** button. For instance, a 7-digit local number sometimes cannot be dialed because it requires a 10-digit or 11-digit format. Use the **FORMAT** button to scroll through 7, 10, and 11-digit numbers.

**7-digits:** 7-digit telephone number (i.e. 555-5555)

**10-digits:** 3-digit area code + 7-digit telephone number (i.e. 425-555-5555)

**11-digits:** long distance code 1 + 3-digit area code + 7-digit telephone number (i.e. 1-425-555-5555)

4. To dial the displayed number, pick up the handset or press **DIAL** again.

### **If You Did Not Program Your Local Area Code in the Setup Menu**

1. Press the **CID** button first to go into the CID review mode, and then use the **▲** and **▼** button to scroll to the number you want to dial. You will only see 10-digit numbers (i.e. 234-555-1234).
2. Press **DIAL** to dial back. You may adjust the number format if *FORMAT CHANGE?* shows in the display.

### **Call Waiting Caller ID**

This feature lets you see (in the display) who is calling when you are on the phone and hear the call waiting tone in the receiver. The caller identification information appears in the display after you hear the tone.

*IMPORTANT: In order to use this unit, you must subscribe to either the standard Name/Number Caller ID Service or Caller ID with Call Waiting Service. To know who is calling while you are on the phone, you must subscribe to Caller ID with Call Waiting Service.*

### Direct Access Memory & Directory Memory

#### Storing a Name and Number in Memory

1. Press the STORE button. *ENTER DIGITS* shows in the display.
2. Use the touch-tone pad to enter the number you want to store (up to 25 digits).

*NOTE: If you make a mistake, press DELETE button to delete the last digit and back one space.*

3. Press the Sel/Save or STORE button.
4. Use the touch-tone pad to enter a name (up to 16 characters). More than one letter is stored in each of the number keys. For example, to enter Bill Smith, press the 2 key twice for the letter B. Press the 4 key 3 times for the letter l. Press the 5 key 3 times for the letter L. Press the 5 key 3 times for the second letter L, and press the 1 key to insert a space between the first and last name. Press the 7 key 4 times for the letter S; press the 6 key once for the letter M; press the 4 key 3 times for the letter l; press the 8 key for the letter T; press the 4 key twice for the letter H.

*NOTE: If you make a mistake, press DELETE button to delete the last letter and back one space.*

5. Press the Sel/Save or STORE button. *ENTER LOCATION* shows in the display.
6. Enter the memory location :
  - Press the DIR button to save the record in Directory MemoryOR
  - Press a MEMORY button to save the record in Direct Access Memory.
7. For future reference, write the name or number of the parties stored in each location on the corresponding spaces on the memory index card.

*NOTE: If you press the EXIT button before selecting the location to save the record, you will exit without saving any changes..*

### Reviewing Stored Names & Numbers

1. Press the DIR button.
2. Use the ▲ and ▼ button to review the records stored in Directory Memory.

OR

1. Press a MEMORY button to review the record stored in Direct Access Memory.

### Changing a Stored Name or Number

1. Press DIR.
2. Use the ▲ and ▼ button to scroll to the desired memory.
3. Press Sel/Save and edit the content according to the steps in the Storing a Name & Number in Memory section.

OR

1. Press a MEMORY location button.
2. Press Sel/Save and edit the content according to the steps in the Storing a Name and Number in Memory section.

### Storing the Last Number Dialed

To quickly and easily store the last number dialed.

1. Press the Redial button to view the last number dialed.
2. Press Sel/Save if you want to edit the number, otherwise press STORE.
3. Follow the steps in the Storing a Name and Number in Memory section to store the number.

### Storing a Pause

Use the PAUSE button to insert a pause when a delay is needed in the dialing sequence (for example, when you must dial a 9 to get an outside line or when you must enter codes to access your bank's information line).

### Dialing a Stored Number

If the number is stored in the Directory Memory,

1. Pick up the handset, or press SPEAKER or HEADSET.
2. Wait for the dial tone.
3. Press the DIR button, and use the ▲ and ▼ button to find the number.
4. Press the DIAL button and the number automatically dials.

If the number is stored in the Direct Access Memory,

1. Pick up the handset, or press SPEAKER or HEADSET.
2. Wait for the dial tone.
3. Press the MEMORY location button, and the number automatically dials.

### Chain Dialing

This process allows you to dial a succession of stored numbers from separate memory locations. This is useful when you must dial several sequences of numbers, such as with frequent calls via a telephone company long distance provider.

*For example*

*Memory location*

Local access number of long distance company	6
Authorization code (ID)	7
Long distance phone number	8

*Using*

1. Press the line you want.
2. Press memory location 6. (Press pause if needed.)
3. Press memory location 7. (Press pause if needed.)
4. Press memory location 8.

### Deleting All Directory Memory

This feature allows you to clear all memory saved in the directory at once.

1. Press the MENU button.
2. Use the ▲ or ▼ buttons to scroll to *PHONE SETTING*.
3. Press Sel/Save. *MEMORY CLEAR* shows in the display.
4. Press Sel/Save.
5. Press the ▲ or ▼ button to scroll to *YES*.
6. Press Sel/Save to confirm all directory memory deletion. If you want to start over, press EXIT once to return to the previous menu level.

### Auto Redial Function

This feature allows you to automatically redial the last number or re-try after a busy tone is received.

1. After getting the busy tone, place the handset back on the cradle (or press SPEAKER) to hang up the call.
2. Press the Auto Redial button.
3. The phone will automatically redial the last dialed number.
4. The SPEAKER LED blinks and the speaker is on which allows you to listen for the call to connect. However, the microphone is muted at this point.
5. If the caller answers the call, you can lift up the handset (or press SPEAKER) to start the conversation.
6. If the line is still busy, the unit will automatically drop the line and wait for 45 seconds, then attempt to make the call again. During this 45 second waiting period, the Auto Redial LED will blink, and the unit will beep every 15 seconds.
7. The phone can try a maximum of 10 times to do auto redial.

## Other Information

---

### Audio Tone Adjustment

There are four preset profiles to allow for adjustment of the audio tone (graphics equalizer) of the speakerphone. When speakerphone is active, press the Preset EQ button to move through the settings.

### Display Messages

The following special messages indicate the status of a message or the unit:

<b>NO CALLS</b>	The CID memory log is empty.
<b>UNKNOWN CALLER</b>	The incoming call does not have CID service or their service area is not linked to yours. If <i>UNKNOWN CALLER</i> appears along with a calling number, the name information for that number was not available.
<b>BLOCKED CALL</b>	The caller is registered as "Private Number" and their CID information is withheld.
<b>INCOMPLETE DATA</b>	Caller information has been interrupted or corrupted during transmission.
<b>NO DATA</b>	No CID signal has been detected, or CID service has not been activated.
<b>END OF LIST</b>	You are at the beginning or the end of the CID memory log.

### Troubleshooting Guide

No dial tone

- Check or repeat installation steps:
  - Make sure the telephone line cords are connected to the phone and the wall jack.
  - Make sure the cords are not damaged .
- Make sure the hook switch pops up when the handset is lifted .
- Check the SPEAKER button. Is the indicator off?
- Disconnect the phone from the wall jack and connect another phone to the same jack. If there is no dial tone in the second phone, the problem might be your wiring or local service.



You cannot be heard by the other party.

- Make sure the handset or headset cord is connected properly and securely.
  - Make sure MUTE is not turned on.
- 

Phone does not ring.

- Make sure the ringer is turned on.
  - You may have too many extension phones on your line. Try unplugging some phones.
  - See solutions for "No dial tone."
  - Make sure Do Not Disturb is not turned on.
- 

Incoming voice too low or none at all.

- Check and adjust volume control setting.
- 

Memory dialing doesn't work

- Make sure you program the memory location keys correctly .
  - Make sure you follow proper dialing sequence .
- 

### **General Product Care**

To keep your telephone working and looking good, follow these guidelines:

- Avoid putting the phone near heating appliances and devices that generate electrical noise (for example, motors or fluorescent lamps).
  - DO NOT expose to direct sunlight or moisture.
  - Avoid dropping the handset, as well as other rough treatment to the phone.
  - Clean the phone with a soft cloth.
  - Never use a strong cleaning agent or abrasive powder because this will damage the finish.
  - Retain the original packaging in case you need to ship the phone at a later date.
-

## Other Information

---

### Service

If trouble is experienced with this equipment, for repair or warranty information, please contact customer service at **1-800-511-3180**. If the equipment is causing harm to the telephone network, the telephone company may request that you disconnect the equipment until the problem is resolved.

This product may be serviced only by the manufacturer or its authorized service agents. Changes or modifications not expressly approved by Thomson Inc. could void the user's authority to operate this product. For instructions on how to obtain service, refer to the warranty included in this guide or call customer service at **1-800-511-3180**.

Or refer inquiries to:

Thomson Inc.  
Manager, Consumer Relations  
P O Box 1976  
Indianapolis, IN 46206-1976

Attach your sales receipt to the booklet for future reference or jot down the date this product was purchased or received as a gift. This information will be valuable if service should be required during the warranty period.

Purchase date \_\_\_\_\_

Name of store \_\_\_\_\_

### Limited Warranty

#### What your warranty covers:

- Defects in materials or workmanship.

#### For how long after your purchase:

- One year, from date of purchase.

(The warranty period for rental units begins with the first rental or 45 days from date of shipment to the rental firm, whichever comes first.)

#### What we will do:

- Provide you with a new or, at our option, a refurbished unit. The exchange unit is under warranty for the remainder of the original product's warranty period.

#### How you get service:

- Properly pack your unit. Include any cables, etc., which were originally provided with the product. We recommend using the original carton and packing materials.
- "Proof of purchase in the form of a bill of sale or receipted invoice which is evidence that the product is within the warranty period, must be presented to obtain warranty service." For rental firms, proof of first rental is also required. Also print your name and address and a description of the defect. Send via standard UPS or its equivalent to:

Thomson Inc.  
c/o Thomson  
11721 B Alameda Ave.  
Socorro, Texas 79927

- Pay any charges billed to you by the Exchange Center for service not covered by the warranty.
- Insure your shipment for loss or damage. Thomson Inc. accepts no liability in case of damage or loss.
- A new or refurbished unit will be shipped to you freight prepaid.

#### What your warranty **does not** cover:

- Customer instruction. (Your Owner's Manual provides information regarding operating instructions and user controls. Any additional information, should be obtained from your dealer.)
- Installation and setup service adjustments.
- Batteries.
- Damage from misuse or neglect.
- Products which have been modified or incorporated into other products.
- Products purchased or serviced outside the USA.
- Acts of nature, such as but not limited to lightning damage.

## Other Information

---

### Product Registration:

- Please complete and mail the Product Registration Card packed with your unit. It will make it easier to contact you should it ever be necessary. The return of the card is not required for warranty coverage.

### Limitation of Warranty:

- The warranty stated above is the only warranty applicable to this product. All other warranties, express or implied (including all implied warranties of merchantability or fitness for a particular purpose) are hereby disclaimed. No verbal or written information given by Thomson Inc., its agents, or employees shall create a warranty or in any way increase the scope of this warranty.
- Repair or replacement as provided under this warranty is the exclusive remedy of the consumer. Thomson Inc. shall not be liable for incidental or consequential damages resulting from the use of this product or arising out of any breach of any express or implied warranty on this product. This disclaimer of warranties and limited warranty are governed by the laws of the state of Indiana. Except to the extent prohibited by applicable law, any implied warranty of merchantability or fitness for a particular purpose on this product is limited to the applicable warranty period set forth above.

### How state law relates to this warranty:

- Some states do not allow the exclusion nor limitation of incidental or consequential damages, or limitations on how long an implied warranty lasts so the above limitations or exclusions may not apply to you.
- This warranty gives you specific legal rights, and you also may have other rights that vary from state to state.

### If you purchased your product outside the USA:

- This warranty does not apply. Contact your dealer for warranty information.

**A**

Accessory Information 39  
Attaching the Desktop  
Pedestal 11  
Audio Tone Adjustment 32  
Auto Redial Function 31

**B**

Base Layout 7

**C**

Call Alert Tone 16  
Caller ID (CID) 25  
Call Timer 21  
Call Waiting Caller ID 27  
Chain Dialing 30  
Changing a Stored Name or  
Number 29  
Conference 23  
Connections and Setup 7

**D**

Data Port 11  
Deleting a CID Record 26  
Deleting All CID Records 26  
Deleting All Directory  
Memory 31  
Dialing a Stored Number 30  
Dialing Back 26

Direct Access Memory &  
Directory Memory 28

Display Language 13  
Display Messages 32  
Do Not Disturb 23

**E**

Equipment Approval  
Information 2

**F**

Flash 22  
Flash Time 18

**G**

General Product Care 33

**H**

Hearing Aid Compatibility 3  
Hold 22  
Hour Format 14

**I**

Important Information 2  
Important Installation  
Information 8  
Installation 8  
Installing the Phone 9  
Interference Information 3  
Introduction 6

**L**

LCD Backlight 15  
LCD Contrast 14  
Licensing 3  
Limited Warranty 35  
Local Area Code 17

**M**

Making Calls with the  
Handset 19  
Making Calls with the  
Optional Headset 19  
Making Calls with the  
Speakerphone 19  
Manually Setting the Date  
and Time 13  
Mute 21

**N**

New Call Indicator 18

**O**

Other Information 32

**P**

Parts Checklist 8  
Placing a Call on Hold 22  
Pre-Dialing Telephone  
Numbers 21  
Programming the Telephone  
13

### R

Receiving and Storing CID Records 25  
Receiving Calls with the Handset 20  
Receiving Calls with the Optional Headset 20  
Receiving Calls with the Speakerphone 20  
Redial 22  
Regional Area Codes 17  
Removing a Call from Hold 22  
Restoring the Defaults 19  
Reviewing CID Records 25  
Reviewing Stored Names & Numbers 29  
Ringer Volume 22  
Ring Tone 15

### S

Saving CID Records to Memory/Phone Directory Memor 26  
Service 34  
Speakerphone, Handset, and Headset Volume 23  
Storing a Name and Number in Memory 28  
Storing a Pause 29  
Storing the Last Number Dialed 29  
Summary Screen 25  
Switching Between the Speakerphone, Handset, and H 21

### T

Telephone Basics 19  
Telephone Jack Requirements 8  
Troubleshooting Guide 32

### V

Voice Messaging 24  
Volume 22

### W

Wall Mounting the Phone 12

## Accessory Information

---



AC power adaptor

5-2719



Headset

5-2425

To place order, have your Visa, MasterCard, or Discover Card ready and call toll-free 1-800-338-0376.

A shipping and handling fee will be charged upon ordering. We are required by law to collect appropriate sales tax for each individual state, country, and locality to which the merchandise is being sent.

Items are subject to availability.

Visit the RCA web site at [www.rca.com](http://www.rca.com)

---

Please do not send any products to the Indianapolis address listed in this manual or on the carton. This will only add delays in service for your product.

**Thomson Inc.**

10330 North Meridian Street

Indianapolis, IN 46290

© 2006 Thomson Inc.

Trademark(s) ® Registered

Marca(s) Registrada(s)

Model 25204

00007055 (Rev. 0 DOM E/S)

06-48

Printed in China



**THOMSON**

**THOMSON** 



# **RCA**

## **Teléfono con Altavoz de Dos Líneas con Identifica- dor de Llamada en Espera Guía del Usuario**

Por favor lea este manual  
antes de operar este producto  
por primera vez.



**Modelo 25204**

## Información Importante

---

### Información sobre la Aprobación de Equipo

El equipo de su teléfono está aprobado para la conexión con la red Telefónica Pública (Public Switched Telephone Network) y cumple con los requisitos establecidos en las secciones 15 y 68 de las Reglas y Regulaciones de la FCC y con los Requerimientos Técnicos para Equipos de Terminales Telefónicas (Technical Requirements for Telephone Terminal Equipment), publicado por ACTA.

#### 1 Notificación a la Compañía Telefónica Local

En la parte de abajo de este equipo hay una etiqueta que indica, entre otra información, el número de US y el Número de Equivalencia de Timbres (REN) para este equipo. Usted debe, cuando sea requerido, proveer esta información a su compañía telefónica.

El REN es útil para determinar el número total de artefactos que Ud. puede conectar a su línea telefónica, todavía asegurando que todos estos artefactos sonarán cuando se llame su número telefónico. En la mayoría de las áreas (pero no en todas), el total de los números REN de todos los artefactos conectados a una línea no debe exceder 5. Para estar seguro del número total de artefactos que Ud. pueda conectar a su línea (determinado por el REN), Ud. deberá ponerse en contacto con su compañía telefónica local.

Cualquier enchufe y conexión que se utilice para conectar este equipo al cableado del edificio y a la red telefónica, debe estar en conformidad con el reglamento de la FCC Parte 68 que ha sido adoptado por la ACTA. Un cable telefónico y un enchufe modular que han sido aprobados y están en conformidad con dicho reglamento han sido provistos con este producto. Están diseñados para ser conectados a un enchufe modular compatible, que también esté en conformidad. Para más detalles, vea las instrucciones para la instalación.

NOTAS:

- No se puede usar este equipo con un teléfono de previo pago proveído por la compañía telefónica.
- Las líneas compartidas son sujetas a las tarifas del estado, y por eso, es posible que Ud. no pueda usar su propio equipo telefónico si Ud. estuviera compartiendo la misma línea telefónica con otros abonados.
- Se debe notificar la compañía telefónica cuando se desconecte permanentemente su teléfono de la línea.
- Si su casa tiene algún equipo de alarma especial conectado a la línea telefónica, asegúrese que la instalación de este producto no desactive su equipo de alarma. Si usted tiene alguna pregunta sobre qué puede desactivar su equipo de alarma, consulte a su compañía telefónica o a un instalador calificado.

El número de la US está ubicado en el fondo de la base

El numero REN esta ubicado en el fondo de la base

#### 2 Derechos de la Compañía Telefónica

Si su equipo causase algún problema en su línea que pudiera dañar la red telefónica, la compañía telefónica siempre que sea posible le avisará de la posible interrupción temporal de su servicio. En caso que la compañía no pudiera avisarle de antemano y hubiera necesidad de tomar tal acción, la compañía telefónica podrá interrumpir su servicio inmediatamente. En caso de tal interrupción telefónica temporal la compañía debe : (1) darle aviso al momento de tal interrupción temporal de servicio, (2) concederle a Ud. la oportunidad de corregir la situación, (3) informarle a Ud. de sus derechos de presentar una queja a la Comisión de acuerdo con los procedimientos dictados en la Subparte E de la Parte 68 de las Regulaciones y Reglas de la FCC.

La compañía telefónica puede hacer los cambios en sus instalaciones de comunicación, en equipos, en sus funcionamientos o procedimientos que digne necesarios para el manejo de sus negocios y que no sean incompatibles con las Reglas y Regulaciones de la FCC. Si estos cambios pudieran alterar el uso o el funcionamiento de su equipo telefónico, la compañía telefónica deberá darle aviso adecuado en escrito para que Ud. goce de un servicio ininterrumpido.

### Información de Interferencias

Este artefacto cumple con la Parte 15 de las Reglas de la FCC. Su funcionamiento es sujeto a las dos condiciones siguientes: (1) Este artefacto no puede causar interferencia dañosa, y (2) Este artefacto debe aceptar cualquier interferencia recibida, incluyendo interferencia que puede causar un funcionamiento no deseado.

Este equipo ha sido probado y cumple con los límites para un artefacto digital de la Clase B, de conformidad con la Parte 15 de las Reglas de la FCC. Estos límites han sido diseñados para proporcionar una protección razonable contra una interferencia dañosa que pueda existir en una instalación doméstica.

Este equipo genera, usa y puede radiar la energía de frecuencia de una radio y, si no fuera instalado y usado de acuerdo con las instrucciones, puede causar interferencia dañosa a las transmisiones radiales. Sin embargo, no hay garantía que la interferencia no ocurrirá en una instalación en particular.

La aislamiento de comunicaciones no puede ser asegurada al usar este producto.

Si este equipo causa en efecto una interferencia dañosa a la recepción de la radio o de la televisión, lo cual puede ser determinado apagando y prendiendo el equipo, le animamos a Ud. de tratar de corregir la interferencia por medio de una (o más) de las sugerencias siguientes:

- Cambie la posición o la ubicación de la antena (quiere decir la antena de la radio o de la televisión que está recibiendo la interferencia).
- Cambie la posición o cambie la ubicación y aumente la distancia entre el equipo de telecomunicaciones y la antena receptora de la radio o de la televisión que está recibiendo la interferencia.
- Conecte el equipo de telecomunicaciones a una toma en un circuito diferente del circuito al cual la antena receptora esté conectada.

Si estas medidas no eliminan la interferencia, favor de consultar a su distribuidor o a un técnico de radio/televisión experto por otras sugerencias. También, la Comisión Federal de Comunicaciones (FCC) ha preparado un folleto muy útil, "How To Identify and Resolve Radio/TV Interference Problems" ("Como Identificar y Resolver Problemas de Interferencia de Radio/Televisión"). Este folleto se puede obtener del U.S. Government Printing Office, Washington, D.C. 20402. Favor de especificar el número 004-000-00345-4 cuando haga su pedido.

Aviso: Los cambios o las modificaciones no no expreso aprobados por el partido responsable de conformidad podían anular la autoridad del usuario para funcionar el equipo.

### Licensing

Con licencia bajo la patente US 6,427,009.

### Compatibilidad con Audífonos (CCA)

Se juzga que este teléfono es compatible con audífonos, en base a las normas de la FCC.

## Tabla de Contenido

---

<b>INFORMACIÓN IMPORTANTE .....</b>	<b>2</b>	<b>OPERACIÓN DEL TELÉFONO.....</b>	<b>19</b>
INFORMACIÓN SOBRE LA APROBACIÓN DE EQUIPO	2	OPERACIÓN DEL TELÉFONO .....	19
INFORMACIÓN DE INTERFERENCIAS .....	3	PARA HACER LLAMADAS CON EL AURICULAR.....	19
LICENSING .....	3	PARA HACER LLAMADAS CON EL ALTAVOZ.....	19
COMPATIBILIDAD CON AUDÍFONOS (CCA).....	3	PARA HACER LLAMADAS CON LOS AUDÍFONOS	
<b>INTRODUCCIÓN.....</b>	<b>6</b>	OPCIONALES .....	19
FORMATO DE LA BASE.....	7	PARA RECIBIR LLAMADAS CON EL AURICULAR ....	20
<b>CONEXIÓN Y PROGRAMACIÓN .....</b>	<b>7</b>	PARA RECIBIR LLAMADAS CON EL ALTAVOZ .....	20
LISTA DE PARTES.....	8	PARA RECIBIR LLAMADAS CON LOS AUDÍFONOS	
REQUERIMIENTOS PARA ENCHUFE TELEFÓNICO....	8	OPCIONALES .....	20
INSTALACIÓN .....	8	PARA CAMBIAR ENTRE ALTAVOZ, AURICULAR Y	
INFORMACIÓN IMPORTANTE PARA LA INSTALACIÓN.	8	AUDÍFONOS .....	21
PARA INSTALAR EL TELÉFONO.....	9	PRE-MARCADO DE NÚMEROS TELEFÓNICOS.....	21
PARA INSTALAR EL PEDESTAL SOBRE LA SUPERFICIE		TEMPORIZADOR DE LLAMADAS.....	21
PLANA.....	11	ENMUDECEDOR .....	21
TERMINAL DE DATOS .....	11	EN ESPERA.....	22
PARA MONTAR LA BASE SOBRE LA PARED.....	12	PARA PONER UNA LLAMADA EN ESPERA.....	22
<b>PARA PROGRAMAR EL TELÉFONO .....</b>	<b>13</b>	PARA LIBERAR UNA LLAMADA EN ESPERA .....	22
IDIOMA DE LA PANTALLA.....	13	BOTÓN DE SERVICIOS ESPECIALES ("FLASH").....	22
PARA PROGRAMAR LA FECHA Y HORA		PARA VOLVER A MARCAR ("REDIAL") .....	22
MANUALMENTE.....	13	VOLUMEN .....	22
FORMATO DE LA HORA .....	14	VOLUMEN DEL TIMBRE.....	22
CONTRASTE DEL LCD.....	14	VOLUMEN DEL ALTAVOZ, AURICULAR, O AUDÍFONOS	23
LA LUZ DE FONDO DEL LCD .....	15	CONFERENCIA .....	23
TONO DE TIMBRE .....	15	FUNCIÓN DE NO MOLESTAR.....	23
VOLUMEN DEL TONO DE TECLA .....	16	MENSAJE DE VOZ .....	24
TONO PARA ALERTA DE LLAMADA.....	16	<b>FUNCIONES DEL IDENTIFICADOR DE</b>	
CLAVE DE ÁREA LOCAL.....	17	<b>LLAMADAS (CALLER ID) .....</b>	<b>25</b>
CLAVES DE ÁREA REGIONALES .....	17	FUNCIONES DEL IDENTIFICADOR DE LLAMADAS	
TIEMPO PARA SERVICIOS ESPECIALES ("FLASH")..	18	(CALLER ID).....	25
INDICADOR DE LLAMADA NUEVA.....	18	PANTALLA SUMARIO.....	25
PARA RESTABLECER LAS PROGRAMACIONES DE		PARA RECIBIR Y ALMACENAR ARCHIVOS DEL	
FÁBRICA.....	19	IDENTIFICADOR DE LLAMADAS .....	25

PARA REVISAR ARCHIVOS DEL IDENTIFICADOR DE LLAMADAS.....	25	PARA REVISAR NOMBRE Y NÚMEROS ALMACENADOS .....	29
PARA SALVAR ARCHIVOS DEL IDENTIFICADOR DE LLAMADAS A LA MEMORIA /DIRECTORIO DE MEMORIA .....	26	PARA CAMBIAR UN NOMBRE O NÚMERO ALMACENADO.....	29
PARA BORRAR UN ARCHIVO DEL IDENTIFICADOR DE LLAMADAS.....	26	PARA ALMACENAR EL ÚLTIMO NÚMERO MARCADO .....	29
PARA BORRAR TODOS LOS ARCHIVOS DEL IDENTIFICADOR DE LLAMADAS .....	26	PARA ALMACENAR UNA PAUSA.....	29
PARA VOLVER A MARCAR.....	26	PARA MARCAR UN NÚMERO ALMACENADO.....	30
SI USTED PROGRAMÓ SU CLAVE DE ÁREA EN EL MENÚ DE PROGRAMACIÓN .....	26	MARCADO EN CADENA.....	30
SI USTED NO PROGRAMÓ SU CLAVE DE ÁREA EN EL MENÚ DE PROGRAMACIÓN .....	27	PARA BORRAR TODAS LAS MEMORIAS DEL DIRECTORIO .....	31
CALLER ID (IDENTIFICADOR DE LLAMADAS) CON CALL WAITING (LLAMADA EN ESPERA).....	27	FUNCIÓN DE REMARCAO AUTOMÁTICO .....	31
<b>MEMORIA .....</b>	<b>28</b>	<b>OTRA INFORMACIÓN .....</b>	<b>32</b>
MEMORIA DE ACCESO DIRECTO Y DIRECTORIO DE MEMORIA.....	28	AJUSTE DEL TONO DE AUDIO.....	32
PARA ALMACENAR UN NOMBRE Y NÚMERO EN LA MEMORIA.....	28	MENSAJES DE LA PANTALLA.....	32
		GUÍA PARA SOLUCIÓN DE PROBLEMAS .....	32
		CUIDADO GENERAL DEL PRODUCTO .....	33
		CÓMO OBTENER SERVICIOS DE MANTENIMIENTO	34
		GARANTÍA LIMITADA .....	35
		ÍNDICE .....	37
		INFORMACIÓN DE ACCESORIOS .....	39

**ADVERTENCIA:** PARA PREVENIR EL RIESGO DE UN FUEGO O DE UNA SACUDIDA ELÉCTRICA, NO EXPONGA ESTE APARATO A LA LLUVIA O A LA HUMEDAD.

 <p>EL RELÁMPAGO Y LA PUNTA DE FLECHA DENTRO DEL TRIÁNGULO ES UNA SEÑAL DE ADVERTENCIA, ALERTÁNDOLE A UD. DE QUE HAY "VOLTAJE PELIGROSO" DENTRO DEL PRODUCTO.</p>	<p><b>ATTENTION:</b> RIESGO DE SACUDIDA ELÉCTRICA NO ABRA</p> <p>CUIDADO: PARA REDUCIR EL RIESGO DE UNA SACUDIDA ELÉCTRICA, NO quite LA CUBIERTA (O PARTE POSTERIOR) NO use PARTES DE REPUESTO DENTRO. CONSULTE A ALGUNA PERSONA CALIFICADA DEL SERVICIO DE REPARACIONES.</p>	 <p>EL SIGNO DE EXCLAMACIÓN DENTRO DEL TRIÁNGULO ES UNA SEÑAL DE ADVERTENCIA, ALERTÁNDOLE A UD. DE QUE EL PRODUCTO, TRAE INCLUIDO, INSTRUCCIONES MUY IMPORTANTES.</p>
<p>VEA ADVERTENCIA EN LA PARTE POSTERIOR/BASE DEL PRODUCTO.</p>		

## Introducción

---



*CUIDADO: Cuando utilice equipo telefónica, hay instrucciones básicas de seguridad que siempre deben seguirse. Refiérase a la guía de INSTRUCCIONES DE SEGURIDAD IMPORTANTES provista con este producto y guárdela para referencia futura.*

Su teléfono con Identificador de Llamada almacena y muestra información específica, provista por su compañía telefónica local, a suscriptores al servicio de Identificador de Llamadas o servicios de identificación similares.

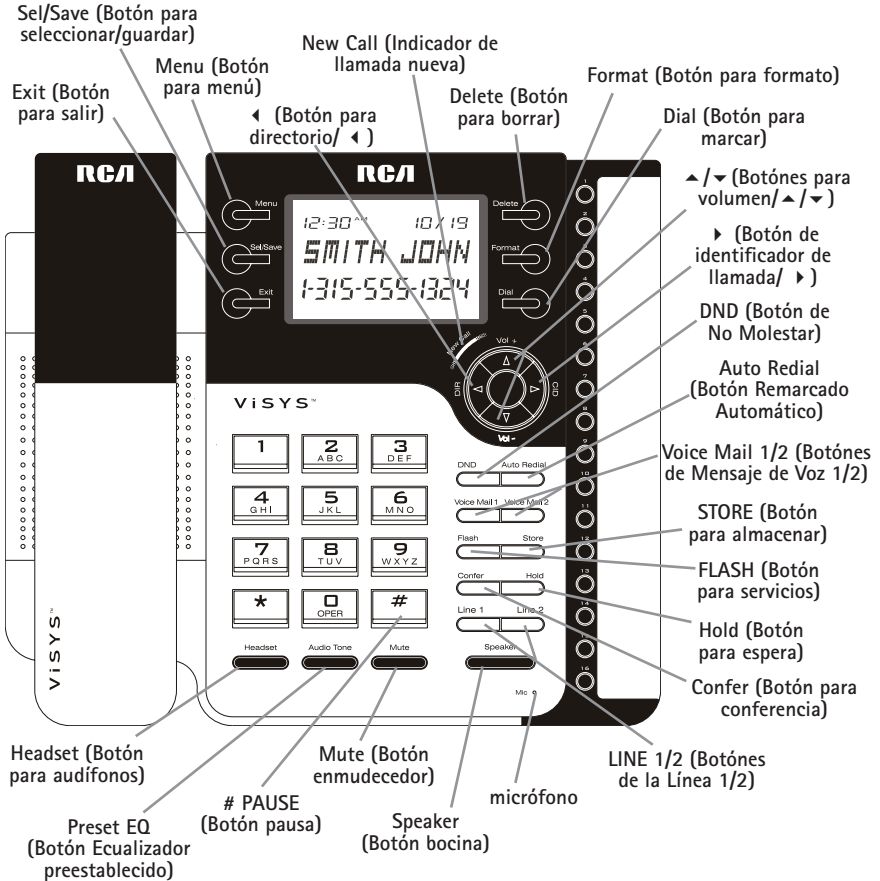
Su teléfono con Identificador de Llamadas le permite:

- Identificar a la persona que llama antes de que usted conteste el teléfono.
- Ver la hora y fecha de cada llamada entrante.
- Grabar hasta 99 mensajes del Identificador de Llamadas en secuencia.
- Saber quién llamó mientras usted estaba fuera.

Para aprovechar al máximo su nuevo teléfono, le sugerimos que se tome unos minutos ahora mismo para leer esta guía del usuario.

*IMPORTANTE: Para poder utilizar este aparato, usted debe suscribirse, ya sea al Servicio Estándar de Identificador de Nombre/ Número, o al servicio de Identificador de Llamada en Espera. Para saber quién llama mientras usted está en el teléfono, usted debe suscribirse al servicio de Identificador de Llamada en Espera.*

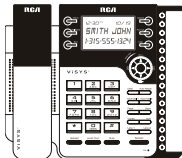
## Formato de la Base



# Conexión y Programación

## Lista de Partes

Asegúrese de que su empaque contenga los siguientes artículos:



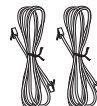
Base



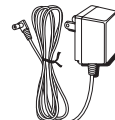
Auricular



Cable del auricular



Cables de línea



Adaptador de corriente AC

Placa de pared



Enchufe telefónico modular

## Requerimientos Para Enchufe Telefónico

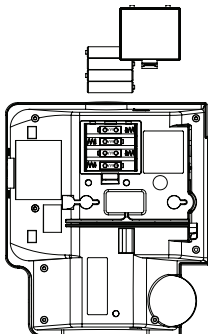
Para utilizar este teléfono, usted necesitará un enchufe telefónico modular tipo RJ14C o dos enchufes tipo RJ11C, que pueden ser como el que está ilustrado aquí, en su casa/ oficina.

## Instalación

### Información Importante para la Instalación

- Nunca instale cableado telefónico durante una tormenta de relámpagos.
- Nunca toque cables o terminales no aislados, a menos que la línea telefónica haya sido desconectada en la interfaz de la red.
- Utilice precaución cuando instale o modifique líneas telefónicas.
- Nunca instale enchufes telefónicos en localizaciones mojadas a menos que el enchufe haya sido diseñado específicamente para localizaciones mojadas.





### Para Instalar el Teléfono

1. Escoja un área cerca de un enchufe eléctrico y un enchufe telefónico de pared. Su teléfono debe ser colocado sobre una superficie plana, como una mesa o un escritorio.
2. Instale 4 baterías alcalinas tamaño AAA (no incluidas) como repuesto en caso de un corte de corriente.
  - Use una herramienta para presionar el seguro y luego abra la puerta del compartimento de la batería ubicada en la parte inferior del teléfono.
  - Introduzca las baterías como se muestra en el diagrama dentro del compartimento de las baterías.
  - Coloque la puerta del compartimento de las baterías en su sitio.

*NOTA: Si REPLACE BATTERY aparece en la pantalla, usted necesita cambiar las baterías. Es importante que las cambie tan pronto como sea posible para mantener intacta la operación del aparato en caso de un corte de corriente. Como precaución, anote cualquier información almacenada que usted no quiera que se borre.*

*IMPORTANTE: Si usted no va a utilizar el teléfono durante más de 30 días, quite las baterías para evitar que se escurran y dañen el aparato.*

3. Conecte el adaptador de corriente AC en un enchufe eléctrico y el conector DC en la parte trasera de la base.

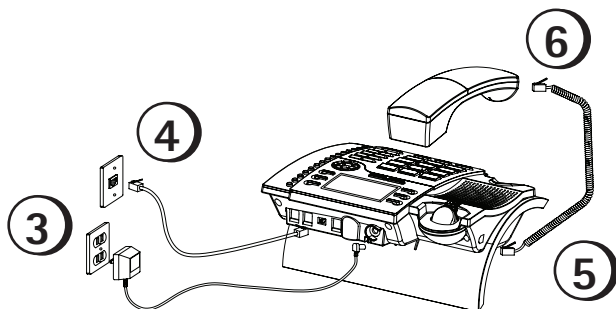


*CUIDADO: Utilice únicamente el adaptador de corriente 5-2719 que es compatible con esta unidad. El uso de otros adaptadores de corriente puede resultar en daño al aparato. Este adaptador de corriente es diseñado para estar orientado correctamente en una posición de montaje en el piso o vertical.*

4. Conecte los cables de línea telefónica:

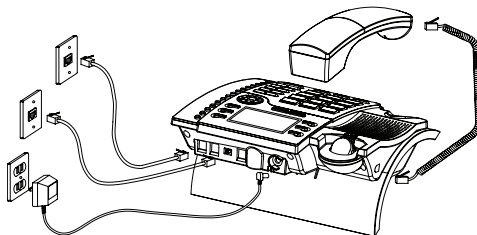
## Conexión y Programación

---



Si usted tiene dos líneas telefónicas instaladas en un solo enchufe, conecte un extremo del cable de línea liso dentro del enchufe marcado "LINE 1+2" en la parte trasera de la base. Conecte el otro extremo en el enchufe de pared de 2 líneas.

Si usted tiene dos enchufes telefónicos separados, conecte uno de los cables telefónicos dentro del enchufe marcado "LINE 1+2" y el otro cable dentro del enchufe marcado "LINE 2." Conecte el otro extremo de cada cable de línea dentro de enchufes de pared separados.



*NOTA: Para usar dos líneas, usted debe tener dos líneas telefónicas con números separados. Si usted tiene únicamente una línea telefónica, este teléfono operará, pero únicamente como teléfono de una sola línea.*

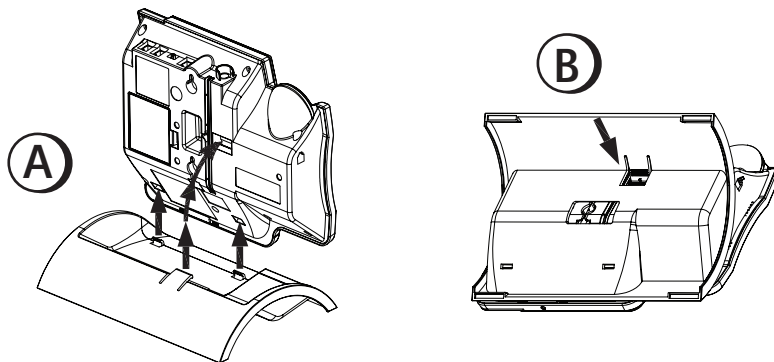
### 5. Conecte el cable del auricular:

Conecte un extremo del cable espiral en el enchufe al costado de la base y el otro extremo dentro del enchufe en el auricular, y coloque el auricular sobre la base.

### 6. Verifique que haya tono de marcar. Levante el auricular y espere a escuchar el tono de marcar. Si escucha un tono de marcar, quiere decir que el teléfono está instalado adecuadamente.

### Para Instalar el Pedestal sobre la Superficie Plana

1. Voltee el teléfono de forma que la parte inferior de la base quede hacia arriba y el extremo con el puerto de datos y receptáculos de línea esté apuntando lejos de usted.
2. Voltee el pedestal de escritorio de forma que el lado con cuatro patas de hule rectangulares esté frente a usted.
3. Inserte las lengüetas en el pedestal dentro de las dos ranuras inferiores en la parte inferior de la base, luego empuje el pedestal hacia abajo hasta que la lengüeta en la parte superior del pedestal quede colocada (asegurada) en su lugar.



### Terminal de Datos

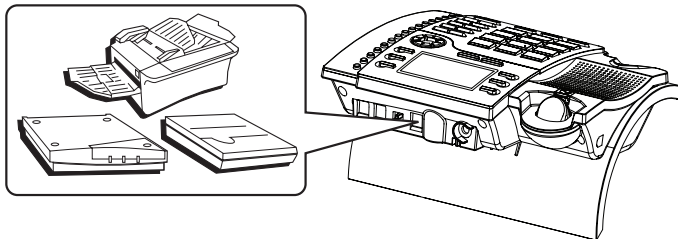
Este teléfono tiene una terminal de datos ("DATA PORT") para que usted pueda conectar un accesorio auxiliar del teléfono, como una máquina de fax, un módem de computadora, una máquina contestadora o hasta un teléfono inalámbrico.

El selector de terminal de datos ("DATA PORT") en la parte posterior del teléfono controla el enchufe de la terminal de datos para que usted pueda escoger entre la línea 1 o la línea 2.

## Conexión y Programación

---

Utilice el enchufe de la terminal de datos para conectar su máquina de fax, por ejemplo, y después coloque el selector de la terminal de datos ("DATA PORT") en la línea 2 para poder recibir faxes en el número telefónico de la línea 2.



Si usted está hablando con alguien en la línea 2 y quiere que le manden un fax, cambie el selector de la terminal de datos ("DATA PORT") a la línea 1 y dé a esa persona el número telefónico de la línea 1. Ahora su máquina de fax puede recibir llamadas por la línea 1.

*IMPORTANTE: Asegúrese de volver a cambiar su máquina de fax a la línea normal cuando usted termine con esa llamada, porque si no, las personas que no saben que usted ha cambiado de línea su máquina de fax, no podrán enviarle faxes si marcan la línea donde el fax está conectado normalmente.*

### Para Montar la Base sobre la Pared

1. Retire el soporte del escritorio de la base del teléfono si éste ya está unido a la unidad de base.
2. Alimente el cable a través de las ranuras en la parte de abajo de la base.
3. Conecte el cable de la línea al receptáculo de la pared y al teléfono.
4. Deslice los agujeros para montaje en la parte de abajo de la base sobre los postcitos de pared y deslice el aparato firmemente hacia abajo hasta que entre en su sitio.
5. Conecte el adaptador CA a la toma de corriente.

### Para Programar el Teléfono

#### Idioma de la Pantalla

Usted puede programar el idioma de la pantalla a inglés, francés o español. El idioma de fábrica es el inglés.

1. Oprima el botón MENU.
2. Utilice los botones ▲ o ▼ para ir a la indicación *DISPLAY SETTING (CONFIG PANTALLA)*.
3. Oprima el botón Sel/Save.
4. Utilice los botones ▲ o ▼ para ir a la indicación *LANGUAGE (IDIOMA)*.
5. Oprima el botón Sel/Save.
6. Utilice los botones ▲ o ▼ para seleccionar el idioma.
7. Cuando haya terminado, oprima el botón Sel/Save para salvar. Para volver a empezar, oprima el botón EXIT para volver al menú principal y repita el paso 2.

#### Para Programar la Fecha y Hora Manualmente

*NOTA: Si usted no programa la fecha y hora manualmente, éstas se programan automáticamente cuando se recibe la primera llamada del Identificador de Llamadas. El aparato ajusta la hora y los minutos cada vez que se recibe una llamada.*

1. Oprima el botón MENU.
2. Utilice los botones ▲ o ▼ para ir a la indicación *CONFIG PANTALLA*.
3. Oprima el botón Sel/Save.
4. Utilice los botones ▲ o ▼ para ir a la indicación *FECH Y HORA*.
5. Oprima el botón Sel/Save.
6. Use el botón ▲ o ▼ para desplazarse al Mes deseado.
7. Oprima el botón Sel/Save. El cursor se mueve al campo de Fecha.

## Conexión y Programación

---

8. Utilice los botones ▲ o ▼ para programar la fecha.
9. Oprima el botón Sel/Save para salvar. El cursor se mueve al campo de Hora.
10. Utilice los botones ▲ o ▼ para programar la hora deseada.
11. Oprima el botón Sel/Save para salvar. El cursor se mueve al campo de Minuto.
12. Utilice los botones ▲ o ▼ para programar programar el minuto.
13. Oprima el botón Sel/Save para salvar. Para volver a empezar, oprima el botón EXIT para volver al menú principal y repita el paso 2.

### Formato de la Hora

Usted puede programar la hora en formato de 12 horas o de 24 horas (hora militar). La programación de fábrica es de 12 horas.

1. Oprima el botón MENU.
2. Utilice los botones ▲ o ▼ para ir a la indicación *CONFIG PANTALLA*.
3. Oprima el botón Sel/Save.
4. Utilice los botones ▲ o ▼ para llegar a la indicación *FORMATO HORA*.
5. Oprima el botón Sel/Save.
6. Utilice los botones ▲ o ▼ para ir del formato de *12 HORAS* al formato de *24 HORAS*.
7. Oprima el botón Sel/Save para salvar. Para volver a empezar, oprima el botón EXIT para volver al menú de *FORMATO HORA*.

### Contraste del LCD

1. Oprima el botón MENU.
2. Utilice los botones ▲ o ▼ para ir a la indicación *CONFIG PANTALLA*.
3. Oprima el botón Sel/Save.
4. Utilice los botones ▲ o ▼ para ir a la indicación *CONTRASTE LCD*.
5. Oprima el botón Sel/Save.
6. Use el botón ▲ o ▼ para ajustar el contraste del LCD.
7. Oprima el botón Sel/Save para salvar. Para volver a empezar, oprima el botón EXIT para volver al menú de *CONTRASTE LCD*.

### La Luz de Fondo del LCD

1. Oprima el botón MENU.
2. Utilice los botones ▲ o ▼ para ir a la indicación *CONFIG PANTALLA*.
3. Oprima el botón Sel/Save.
4. Utilice los botones ▲ o ▼ para ir a la indicación *LUZ DE FONDO LCD*.
5. Oprima el botón Sel/Save.
6. Utilice los botones ▲ o ▼ para activar *AUTOMATICO* o *SIEMPRE ENCNDIDO*.

*NOTA: si usted selecciona la opción AUTOMATICO, el LCD se activará durante la llamada entrante o cuando se presione un botón. Si usted selecciona una opción SIEMPRE ENCNDIDO, la luz de fondo del LCD se activará siempre..*

7. Oprima el botón Sel/Save para salvar. Para volver a empezar, oprima el botón EXIT para volver al menú de *LCD BACKLIGHT*.

### Tono de Timbre

Cada línea puede tener su propia selección de tono de timbre.

1. Oprima el botón MENU.
2. Utilice los botones ▲ o ▼ para ir a la indicación *CONFIG SONIDO*.
3. Oprima el botón Sel/Save.
4. Utilice los botones ▲ o ▼ para ir a la indicación *TONO TMBR*.
5. Oprima el botón Sel/Save.
6. Presione ◀ o ▶ para seleccionar L1 ó L2 para cambio del tono de timbre.
7. Luego, use el botón ▲ o ▼ para desplazarse a la selección del ton. Hay 7 tonos de timbre, entre los que usted puede seleccionar.
8. Oprima el botón Sel/Save para salvar. Para volver a empezar, Presione EXIT para regresar al submenú *CONFIG SONIDO* y repita el paso 5.

### Volumen del Tono de Tecla

1. Oprima el botón MENU.
2. Utilice los botones ▲ o ▼ para ir a la indicación *CONFIG SONIDO*.
3. Oprima el botón Sel/Save.
4. Utilice los botones ▲ o ▼ para llegar a la indicación *VOL TONO TECLA*.
5. Oprima el botón Sel/Save.
6. Utilice los botones ▲ o ▼ para activar *OFF*, *BAJO* o *ALTO*.
7. Oprima el botón Sel/Save para salvar. Para volver a empezar, oprima el botón EXIT para volver al menú de *VOL TONO TECLA*.

### Tono para Alerta de Llamada

Cuando el tono para alerta de llamada está activado (*ON*), usted lo escucha cuando está en el teléfono y recibe una llamada en la otra línea. Si usted prefiere que las llamadas entrantes no le interrumpan o le distraigan de su conversación, desactive el Tono de Alerta de Llamada (*OFF*). Viene activado de fábrica (*ON*).

1. Oprima el botón MENU.
2. Utilice los botones ▲ o ▼ para ir a la indicación *CONFIG SONIDO*.
3. Oprima el botón Sel/Save.
4. Utilice los botones ▲ o ▼ para llegar a la indicación *ALERTA LLAMADA*.
5. Oprima el botón Sel/Save.
6. Utilice los botones ▲ o ▼ para activar (*ON*) o desactivar (*OFF*).
7. Oprima el botón Sel/Save para salvar. Para volver a empezar, oprima el botón EXIT para volver al menú de *ALERTA LLAMADA*.



### Clave de Área Local

1. Oprima el botón MENU.
2. Utilice los botones ▲ o ▼ para ir a la indicación *CONFIG TELFONO*.
3. Oprima el botón Sel/Save.
4. Utilice los botones ▲ o ▼ para ir a la indicación *CLAVE DE AREA*.
5. Oprima el botón Sel/Save. La indicación *INGRESE DIGITO* aparece en la pantalla.
6. Utilice el teclado numérico para inscribir su clave de área.

*NOTA: Si usted comete un error, oprima el botón DELETE y elimine los tres dígitos para volver a inscribir su clave de área.*

7. Cuando haya terminado, oprima el botón Sel/Save para salvar. Para volver a empezar, oprima el botón EXIT para volver al menú de *CLAVE DE AREA* y repita el paso 4.

### Claves de Área Regionales

Dependiendo de su área, usted puede necesitar programar claves de área regionales. Éstas son necesarias para que su teléfono pueda determinar qué formato de número mostrar cuando recibe una señal válida del Identificador de Llamadas. Las llamadas que provengan de la misma clave de área que las áreas regionales programadas, se mostrarán como números de diez dígitos. Si el número no se muestra correctamente, el teléfono no puede contestar la llamada automáticamente. Usted puede almacenar hasta 6 claves de área regionales.

Usted puede necesitar utilizar estas funciones si tiene:

- Claves de área múltiples.
- Claves de área sobrepuestas
- Áreas que requieren marcado de 10 dígitos.

1. Oprima el botón MENU.
2. Utilice los botones ▲ o ▼ para ir a la indicación *CONFIG TELFONO*.
3. Oprima el botón Sel/Save.
4. Utilice los botones ▲ o ▼ para ir a la indicación *CLAVE REGIONAL*.
5. Oprima el botón Sel/Save.

## Conexión y Programación

---

6. Utilice los botones ▲ o ▼ para ir al # de la clave de área deseada.
7. Oprima el botón Sel/Save.
8. Utilice el teclado numérico para inscribir su clave de área. Oprima el botón DELETE para eliminar y volver a inscribir elimine los tres dígitos.
9. Cuando haya terminado, oprima el botón Sel/Save y vuelva al menú de *CLAVE # x*.

### Tiempo para Servicios Especiales ("Flash")

Dependiendo de los servicios que usted tenga contratados con la compañía telefónica, usted puede necesitar ajustar el tiempo para servicios. Se puede establecer en 100 ms o 600 ms. El aparato está programado de fábrica a 600ms.

1. Oprima el botón MENU.
2. Utilice los botones ▲ o ▼ para ir a la indicación *CONFIG TELFONO*.
3. Oprima el botón Sel/Save.
4. Utilice los botones ▲ o ▼ para llegar a la indicación *TIEMPO SERV*.
5. Oprima el botón Sel/Save.
6. Utilice los botones ▲ o ▼ para ir a la programación deseada.
7. Oprima el botón Sel/Save para salvar. Para volver a empezar, oprima el botón EXIT para volver al menú de *TIEMPO SERV*.

### Indicador de Llamada Nueva

1. Oprima el botón MENU.
2. Utilice los botones ▲ o ▼ para ir a la indicación *CONFIG TELFONO*.
3. Oprima el botón Sel/Save.
4. Utilice los botones ▲ o ▼ para llegar a la indicación *LED NUEV LLAMD*.
5. Oprima el botón Sel/Save.
6. Utilice los botones ▲ o ▼ para activar (*ON*) o desactivar (*OFF*).

*NOTA: Si usted selecciona ON, el Indicador Nueva Llamada parpadeará después de que el teléfono reciba un nuevo Identificador de llamada. Si este está apagado, el Identificador de Nueva Llamada permanecerá en estado de apagado aun si se recibe un nuevo Identificador de llamada.*

7. Oprima el botón Sel/Save para salvar. Para volver a empezar, oprima el botón EXIT para volver al menú de *LED NUEV LLAMD*.

### Para Restablecer las Programaciones de Fábrica

Esta función le permite volver todas las programaciones del menú a las programaciones originales.

1. Oprima el botón MENU.
2. Utilice los botones ▲ o ▼ para ir a la indicación *RESTAUR CONFIG*.
3. Oprima el botón Sel/Save.
4. Utilice los botones ▲ o ▼ para ir a la indicación *SI*.
5. Oprima el botón Sel/Save para salvar. Para volver a empezar, oprima el botón EXIT para volver al menú de *RESTAUR CONFIG*.

### Operación del Teléfono

#### Para Hacer Llamadas con el Auricular

1. Levante el auricular y el teléfono selecciona automáticamente una línea abierta.
2. Espere al tono de marcar.
3. Marque el número telefónico.
4. Cuelgue cuando usted haya terminado.

#### Para Hacer Llamadas con el Altavoz

1. Oprima el botón SPEAKER y el teléfono selecciona automáticamente una línea abierta.
2. Espere al tono de marcar.
3. Marque el número telefónico.
4. Oprima el botón SPEAKER cuando usted haya terminado.

#### Para Hacer Llamadas con los Audífonos Opcionales

1. Conecte un auricular al receptáculo HEADSET en el lado derecho de la base.
2. Ajuste los audífonos a que descansen sobre su cabeza.
3. Mueva el micrófono a aproximadamente 2 o 3 pulgadas de su boca.
4. Oprima el botón HEADSET, y el teléfono selecciona automáticamente una línea abierta.
5. Espere al tono de marcar.

## Operación del Teléfono

---

6. Marque el número telefónico.
7. Oprima el botón HEADSET cuando usted haya terminado.

*NOTA: Para conversar utilizando los audífonos, el auricular debe estar sobre la base.*

### **Para Recibir Llamadas con el Auricular**

Cuando el teléfono timbra, el indicador de la línea correspondiente parpadea rápidamente.

1. Levante el auricular (su teléfono automáticamente selecciona la línea que timbra).
2. Cuando haya terminado, cuelgue el auricular.

### **Para Recibir Llamadas con el Altavoz**

Cuando el teléfono timbra, el indicador de la línea correspondiente parpadea rápidamente.

1. Oprima el botón SPEAKER. El altavoz se activa y automáticamente selecciona una línea.
2. Cuando haya terminado, oprima el botón SPEAKER.

### **Para Recibir Llamadas con los Audífonos Opcionales**

Cuando el teléfono timbra, el indicador de la línea correspondiente parpadea rápidamente.

1. Oprima el botón HEADSET, y el teléfono automáticamente selecciona la línea que está conectada a los audífonos.
2. Cuando haya terminado, oprima el botón HEADSET.

*NOTA: Tanto si usted hace una llamada, como si la recibe, la persona que llama se desconecta si usted oprime el botón de otra línea sin antes poner en espera a la línea original.*

*NOTA: Para conversar utilizando los audífonos, el auricular debe estar sobre la base.*

### **Para Cambiar entre Altavoz, Auricular y Audífonos**

Para cambiar a altavoz, oprima el botón SPEAKER. El indicador del altavoz se ilumina.

Para cambiar a auricular, levántelo. El altavoz o los audífonos se desactivan.

Para cambiar a los audífonos, oprima el botón HEADSET. El indicador de audífonos se ilumina. Coloque el auricular sobre la base.

### Pre-Marcado de Números Telefónicos

La función de pre-marcado le permite inscribir, verificar y cambiar un número telefónico antes de ocupar la línea. Hay varias maneras de pre-marcado un número telefónico:

- Inscriba el número telefónico manualmente, u
- Oprima uno de los 16 botones de localizaciones de memoria, u
- Oprima el botón DIR, seguido por los botones ▲ o ▼ para buscar el número en la memoria del libro telefónico.
- Oprima el botón CID, seguido por los botones ▲ o ▼ recorrer la memoria del Identificador de Llamadas, u
- Oprima el botón Redial.

Después,

1. Oprima el botón DIAL. El teléfono automáticamente selecciona una línea y activa el altavoz.
2. Marque los números que aparecen en la pantalla.

### Temporizador de Llamadas

Durante una conversación telefónica, un temporizador integrado muestra la duración de la llamada en minutos y segundos. Cuando la llamada termina, el tiempo total permanece en la pantalla durante aproximadamente 10 segundos. Se marca la duración de una llamada, aún cuando la llamada está en espera.

### Enmudecedor

Para tener una conversación privada, fuera de la línea, utilice la función del enmudecedor ("MUTE"). La persona en la línea no puede escucharle. Esta función puede ser utilizada en modalidad de altavoz, auricular o audífonos.

1. Oprima el botón MUTE. El indicador del enmudecedor se ilumina.
2. Oprima el botón MUTE para cancelar y volver a su conversación telefónica.

*NOTA: Al cambiar de modalidad de altavoz a auricular, el enmudecedor se cancela.*

# Operación del Teléfono

---

## En Espera

### Para Poner una Llamada en Espera

1. Oprima el botón HOLD. El indicador de la línea en espera parpadea en azul.
2. Cuelgue u oprima el botón de otra línea.

### Para Liberar una Llamada en Espera

Oprima el botón de la línea en donde está la llamada en espera. El teléfono automáticamente se pone en modalidad de altavoz.

*NOTA: Si usted quiere cambiar modalidades, levante el auricular para cambiar a modalidad de auricular, u oprima el botón de audifonos para utilizar los audifonos.*

## Botón de Servicios Especiales ("Flash")

Utilice el botón FLASH para activar servicios especiales como Llamada en Espera, que le son disponibles a través de su compañía telefónica local.

## Para Volver a Marcar ("Redial")

Para volver a marcar rápidamente el último número que usted marcó (hasta 32 dígitos):

1. Levante el auricular, u oprima el botón SPEAKER o HEADSET.
2. La línea es seleccionada automáticamente.
3. Espere al tono de marcar.
4. Oprima el botón Auto Redial.

## Volumen

El volumen del timbre, del altavoz y del auricular/ audifonos pueden ser programados independientemente. Su teléfono ha sido pre-programado, pero puede ser cambiado a su gusto.

### Volumen del Timbre

Mientras el teléfono esté en modo inactivo, presione el botón Vol + ó Vol - para ingresar al estado de ajuste de volumen del timbre.

1. Appuyez sur les touches ◀ et ▶ pour sélectionner L1 ou L2.

2. Use el botón Vol + ó Vol - para ajustar el volumen del timbre. El teléfono genera un timbre de muestra de 2 segundos de longitud en el ajuste de selección para verificación de la intensidad.

### **Volumen del Altavoz, Auricular, o Audífonos**

Mientras que usted utiliza el teléfono, toque los botones Vol + o Vol - para programar el volumen a un nivel cómodo. El teléfono almacena esta programación cuando usted suelta el botón.

### **Conferencia**

Esta función le permite conectar dos llamadas para establecer una llamada en conferencia.

#### **Para conectar con dos llamadas:**

1. Haga una llamada y permanezca en el modo hablar.
2. Oprima el botón HOLD.
3. Oprima el botón de la otra línea para contestar o hacer una segunda llamada.
4. Cuando la segunda llamada es conectada, oprima el botón Confer.

**Para desconectar una línea**, oprima el botón de la línea con la que usted quiere seguir hablando, y la otra línea se desconecta automáticamente.

**Para desconectar ambas líneas**, cuelgue el auricular u oprima el botón SPEAKER si usted está utilizando el altavoz, o el botón HEADSET si usted está utilizando los audífonos.

Para mantener ambas líneas conectadas, pero hablar únicamente con una persona:

1. Oprima el botón HOLD para poner ambas líneas en espera.
2. Para hablar con una persona, oprima el botón de la línea correspondiente. La otra línea permanece en espera.
3. Para volver a la llamada en conferencia con ambas líneas, oprima el botón Confer.

### **Función de No Molestar**

Esta función deshabilita el timbre de una llamada entrante, durante el tiempo que usted ha seleccionado. Usted puede programar la duración de la función de No Molestar.

## Operación del Teléfono

---

1. Mientras que el auricular está en la base, oprima el botón DND. El indicador DND parpadea.
2. Utilice los botones ▲ o ▼ para seleccionar la duración. Usted puede escoger entre 15 minutos, 30 minutos, 45 minutos, 1 hora, 2 horas e incrementar la duración a intervalos de 1 hora hasta 24 horas.
3. Oprima el botón Sel/Save para salvar su selección.
4. Cuando la función de No Molestar está activada, el indicador DND parpadea. Para desactivar la función de No Molestar, oprima el botón DND.

*NOTA: Cuando la función de No Molestar está activada, usted seguirá recibiendo indicación de la línea, información del Identificador de Llamadas e indicador de Nueva Llamada.*

### Mensaje de Voz

Suponiendo que su compañía telefónica ofrece el servicio de mensaje de voz y que usted se suscribe a éste, el indicador VOICE MAIL en la base parpadea para indicar que hay un mensaje esperando. Deja de parpadear después de que el mensaje es revisado.

*IMPORTANTE: Usted debe tener programada la clave de acceso para el buzón de voz para que funcione. Vea la sección "Para Almacenar un Nombre y Número en la Memoria."*

1. Levante el auricular, u oprima el botón HEADSET o SPEAKER.
2. Oprima el botón de buzón de voz para la línea 1 ("VOICE MAIL 1") o para la línea 2 ("VOICE MAIL 2").
3. El aparato marca automáticamente el número de acceso del buzón de voz programado previamente para que usted pueda tener acceso a su correo de voz almacenado en la compañía telefónica.

#### Para Apagar el Indicador de Mensajes de Voz:

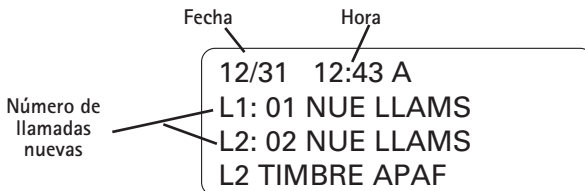
1. En el modo inactivo, presione y sostenga el botón Voice Mail 1 por 2 segundos.
2. Luego, la pantalla mostrará **BORRAR AVISO DE CORREO DE VOZ?**
3. Presione el botón Sel/Save para confirmar. Luego, el indicador Voice Mail 1 se apagará.
4. Repita los pasos anteriores y presione el botón Voice Mail 2 en lugar del botón Voice Mail 1 para apagar el indicador Voice Mail 2.



### Funciones del Identificador de Llamadas (Caller ID)

#### Pantalla Sumario

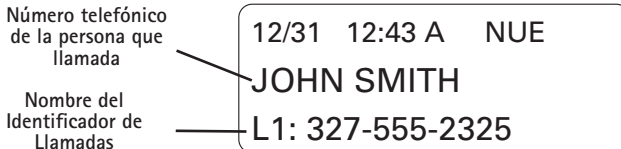
La pantalla sumario muestra la hora actual, la fecha actual y el número de llamadas esperando a ser revisadas. Esto aparece hasta que se oprime cualquier botón. Dentro de 10 segundos después de que se recibe una llamada nueva la información de la persona que acaba de llamar aparece en la pantalla y el indicador azul *NUEVA* parpadea..



*NOTA: El número de llamadas nuevas se muestra hasta que todas las llamadas nuevas hayan sido recibidas.*

#### Para Recibir y Almacenar Archivos del Identificador de Llamadas

Este aparato recibe y muestra información transmitida por su compañía telefónica local. Esta información puede incluir el número telefónico, fecha y hora; o el nombre, número telefónico, fecha y hora. El aparato puede almacenar hasta 99 llamadas para ser revisadas después. Cuando la memoria está llena, una llamada nueva automáticamente reemplaza a la llamada más vieja. La indicación de llamada nueva ("*NEW*") aparece en la pantalla para llamadas recibidas que no han sido revisadas.



#### Para Revisar Archivos del Identificador de Llamadas

- Presione el botón CID para ir primero a la revisión CID y luego use el botón ▲ ó ▼ para desplazarse a los registros de llamada.

*NOTA: Cuando usted recorre los archivos hasta el principio o fin de la lista, la indicación FIN DE LISTA aparece en la pantalla.*

## Funciones del Identificador de Llamadas (Caller ID)

---

### Para Salvar Archivos del Identificador de Llamadas a la Memoria /Directorio de Memoria

1. Mientras aparece en nombre y número telefónico en la pantalla, oprima el botón Sel/Save si usted quiere cambiar la información. Después, siga los pasos en la sección "Para Almacenar el Nombre y Número en la Memoria" para cambiar y almacenar el archivo.
2. Si usted no necesita cambiar el nombre o número, oprima el botón STORE, seguido por el botón MEMORIA, u oprima el botón para DIR salvar la información en la memoria del Directorio Telefónico.

### Para Borrar un Archivo del Identificador de Llamadas

Para borrar el archivo que aparece en la pantalla, presione el botón DELETE y luego presione Sel/Save para confirmar la eliminación.

### Para Borrar todos los Archivos del Identificador de Llamadas

Esta función le permite borrar a la vez todos los archivos del Identificador de Llamadas.

1. Mientras aparece un archivo del Identificador de Llamadas en la pantalla, oprima y sostenga el botón DELETE durante dos segundos. La indicación *BORRAR TODOS LOS REGISTROS CID?* aparece en la pantalla.
2. Oprima nuevamente el botón Sel/Save para confirmar.

### Para Volver a Marcar

Cuando usted revisa los archivos del Identificador, usted puede marcar los número que aparecen en la pantalla.

### Si usted programó su Clave de Área en el Menú de Programación

1. Presione primero el botón CID para ir al modo de revisión CID, y luego use el botón ▲ y ▼ para desplazarse al número que usted quiere marcar.
2. Oprima el botón DIAL. Si usted ve un número de 7 dígitos (por ejemplo 555-1234), entonces la llamada recibida provino de su misma clave de área. Sin embargo, esto no garantiza que sea una llamada local. Si usted ve un número de 11 dígitos (por ejemplo 1-234-555-1234), entonces la llamada recibida no provino de su misma clave de área. Si el número que se muestra no es un Número de Marcado Directo provisto por la compañía telefónica, la pantalla muestra *CAMBIAR FORMATO?*

## Funciones del Identificador de Llamadas (Caller ID)

---

3. Para ajustar el formato del número, appuyez sur FORMAT. Por ejemplo, un número local de 7 dígitos algunas veces no se puede marcar porque requiere un formato de 10 o de 11 dígitos. Utilice los botones FORMAT para recorrer los formatos de 7, 10 y 11 dígitos.

**7 dígitos**      número telefónico de 7 dígitos (por ejemplo 555-5555)

**10 dígitos**    clave de área de 3 dígitos + número telefónico de 7 dígitos  
(por ejemplo, 425-555-5555)

**11 dígitos**    clave de larga distancia "1" + clave de área de 3 dígitos + número telefónico de 7 dígitos (por ejemplo, 1-425-555-5555).

4. Para marcar el número mostrado, levante el auricular u oprima nuevamente el botón DIAL.

### Si usted no programó su Clave de Área en el Menú de Programación

1. Presione primero el botón CID para ir al modo de revisión CID, y luego use el botón ▲ y ▼ para desplazarse al número que usted quiere marcar. Usted únicamente verá números de 10 dígitos (por ejemplo, 234-555-1234).
2. Oprima el botón DIAL. Usted puede ajustar el formato del número si la pantalla muestra CAMBIAR FORMATO?.

### Caller ID (Identificador de Llamadas) con Call Waiting (Llamada en Espera)

Esta función le permite ver (en la pantalla) quien le llama cuando escucha el tono de espera en el receptor. La información de la persona que llama aparece en la pantalla después de que usted escucha el tono.

*IMPORTANTE: Para poder utilizar las funciones del Identificador de Llamadas con este aparato, usted debe suscribirse ya sea al Servicio Estándar de Identificador de Llamadas de Nombre/ Número, o al Servicio de Identificador de Llamada en Espera (Caller ID with Call Waiting).*

## Memoria de Acceso Directo y Directorio de Memoria Para Almacenar un Nombre y Número en la Memoria

1. Oprima el botón STORE. La indicación *INSCRIBA DIGITO* aparece en la pantalla.
2. Utilice el teclado numérico para inscribir el número que usted quiera almacenar (hasta 25 dígitos).

*NOTA: Si usted comete un error, presione el botón DELETE para eliminar el último dígito y retroceder un espacio.*

3. Oprima el botón Sel/Save o STORE.
4. Utilice el teclado numérico para inscribir el nombre (hasta 16 caracteres). Por ejemplo, para inscribir el nombre "Bill Smith", oprima la tecla del 2 dos veces para la letra B. Oprima la tecla del 4 tres veces para la letra I. Oprima la tecla del 5 tres veces para la letra L. Oprima la tecla del 5 nuevamente tres veces para la segunda letra L, oprima la tecla del 1 para introducir un espacio entre la letra L y S. Oprima la tecla del 7 cuatro veces para la letra S. Oprima la tecla del 6 una vez para la letra M; oprima el 4 tres veces para la letra I; oprima el 8 para la letra T; y el 4 dos veces para la letra H.

*NOTA: Si usted comete un error, presione al botón DELETE para eliminar la última letra y retroceder un espacio.*

5. Oprima el botón Sel/Save o STORE. La pantalla muestra *INSCR LOCALIZCN* en la pantalla.
6. Inscriba la localización de memoria:
  - Oprima el botón ◀ para salvar el archivo en la Memoria del Directorio

U

- Oprima el botón MEMORY para salvar el archivo en Memoria de Acceso Directo.
7. Para referencia futura, escriba el nombre o el número de las personas que están localizados en cada localización, en los espacios correspondientes de la tarjeta índice de la memoria.

*NOTA: Si usted presiona el botón EXIT antes de seleccionar la ubicación para guardar el registro, usted saldrá sin guardar cambio alguno.*

### Para Revisar Nombre y Números Almacenados

1. Oprima el botón DIR.
2. Utilice los botones ▲ o ▼ para recorrer los archivos almacenados en el Directorio de Memoria .

U

1. Oprima uno de los botones de memoria ("MEMORY") para revisar el archivo localizado en Memoria de Acceso Directo.

### Para Cambiar un Nombre o Número Almacenado

1. Oprima el botón DIR.
2. Utilice los botones ▲ o ▼ para llegar a la localización de memoria deseada.
3. Oprima el botón Sel/Save y corrija el contenido de acuerdo a los pasos en la sección "Para Almacenar un Nombre y Número la Sección de Memoria."

U

1. Oprima uno de los botones de localización de memoria ("MEMORY").
2. Oprima el botón Sel/Save y corrija el contenido de acuerdo a los pasos en la sección "Para Almacenar un Nombre y Número la Sección de Memoria."

### Para Almacenar el Último Número Marcado

Para almacenar rápidamente el último número marcado.

1. Oprima el botón Redial para ver el último número marcado.
2. Oprima el botón Sel/Save si quiere corregir el número, o de otra manera, oprima el botón STORE.
3. Siga los pasos en la sección Para Almacenar un Nombre y Número la Sección de Memoria para almacenarlo.

### Para Almacenar una Pausa

Utilice el botón PAUSE para introducir un retraso en la secuencia de marcado de un número (por ejemplo después de que usted marca 9 para obtener línea externa, o cuando usted tiene que inscribir un número de acceso en la línea de información de su banco).

### Para Marcar un Número Almacenado

Si el número está almacenado en la Memoria del Directorio,

1. Levante el auricular, u oprima el botón SPEAKER o HEADSET.
2. Espere al tono de marcar.
3. Oprima el botón DIR o utilice los botones ▲ o ▼ para encontrar el número.
4. Oprima el botón DIAL y el número se marca automáticamente.

Si el número está almacenado en la Memoria de Acceso Directo,

1. Levante el auricular, u oprima el botón SPEAKER o HEADSET.
2. Espere al tono de marcar.
3. Oprima el botón de la localización de memoria ("MEMORY"), y el número se marca automáticamente.

### Marcado en Cadena

Este proceso le permite marcar una sucesión de números almacenados en diferentes localizaciones de memoria. Esto es muy útil cuando usted debe marcar diferentes secuencias de números, como llamadas frecuentes de larga distancia.

<i>Por ejemplo</i>	<i>Localización de Memoria</i>
Número local de acceso de su compañía de larga distancia	6
Código de autorización (ID)	7
Número de larga distancia	8

Utilizando

1. Oprima el botón de la línea que quiera.
2. Oprima el botón de la localización de memoria 6. (Oprima pausa si fuera necesario).
3. Oprima el botón de la localización de memoria 7. (Oprima pausa si fuera necesario).
4. Oprima el botón de la localización de memoria 8.

### Para Borrar Todas las Memorias del Directorio

Esta función le permite eliminar todas las memorias almacenadas en el directorio a la vez.

1. Oprima el botón MENU.
2. Utilice los botones ▲ o ▼ para ir a la indicación *CONFIG TELFONO*.
3. Oprima el botón Sel/Save. La indicación *BORRAR MEMORIA* aparece en la pantalla.
4. Oprima el botón Sel/Save.
5. Utilice los botones ▲ o ▼ para llegar a la indicación *SI*.
6. Presione Sel/Save para confirmar la eliminación de toda la memoria en el directorio. Si usted quiere volver a empezar, oprima el botón EXIT una vez para volver al nivel del menú previo.

### Función de Remarcado Automático

Esta característica le permite remarcar automáticamente el último número o remarcar después de que se recibe un tono de ocupado.

1. Después de obtener el tono de ocupado, vuelva a colocar el auricular en la base (o presione Speaker) para colgar la llamada.
2. Presione el botón Auto Redial.
3. El teléfono remarcará automáticamente el último número marcado.
4. El LED Speaker parpadea y el altavoz se activa lo cual le permite escuchar mientras se establece la llamada. Sin embargo, el micrófono está silenciado en este punto.
5. Si la persona a quien llama responde la llamada, usted puede levantar el auricular (o presionar SPEAKER) para iniciar la conversación.
6. Si la línea todavía está ocupada, la unidad colgará la línea y esperará por 45 segundos, luego intentará hacer la llamada otra vez. Durante este periodo de espera de 45 segundos, el LED Auto Redial parpadeará, y la unidad emitirá un bip cada 15 segundos.
7. El teléfono puede intentar un máximo de 10 veces para hacer una remarcación automática.

### Ajuste del Tono de Audio

Hay cuatro perfiles preestablecidos para permitir el ajuste del tono de audio (ecualizador gráfico) del altavoz. Cuando el altavoz esté activo, presione el botón Preset EQ para moverse a través de las selecciones.

### Mensajes de la Pantalla

Los siguientes mensajes especiales indican el estado actual de un mensaje o del aparato:

<b>NO HAY LLAMADAS</b>	El registro de memoria está vacío.
<b>PERSONA DESCONOCIDA</b>	La llamada entrante viene de un área en donde el Identificador de Llamadas (Caller ID) no está disponible, o no está enlazado al suyo. Si aparece la indicación <i>DESCONOCID</i> junto con el número, la información del nombre no está disponible.
<b>LLAMADA BLOQUEADA</b>	La persona que llama está registrada como "Número Privado" y la información no es enviada.
<b>INFORMACION INCOMPLETA</b>	La información sobre la persona que llama ha sido interrumpida o corrupta durante la transmisión.
<b>NO HAY INFORMACIÓN</b>	No se detecta una señal del Identificador de Llamadas, o el servicio no ha sido activado.
<b>FIN DE LISTA</b>	Usted está al principio o al final del registro de memoria.

### Guía para Solución de Problemas

No hay tono de marcar

- Verifique o repita los pasos para la instalación:
    - Asegúrese que los cables telefónicos estén conectados a un teléfono y a un enchufe telefónico de pared.
    - Asegúrese que los cables no estén dañados.
  - Asegúrese el gancho para colgar se levante cuando el auricular es descolgado.
  - Verifique el botón SPEAKER. ¿Está apagado el indicador?
  - Desconecte la base del enchufe de pared y conecte otro teléfono al mismo enchufe. Si continúa sin haber tono de marcar en el segundo teléfono, el problema puede estar en el cableado o en el servicio local.
-



La otra persona no le escucha

- Asegúrese que el auricular y el cable de los audífonos estén conectados adecuadamente.
- Asegúrese que la función del enmudecedor ("MUTE") no haya sido activada.

El teléfono no timbra

- Asegúrese que el selector del timbre ("RINGER") esté en la posición de activado (ON).
- Usted puede tener demasiadas extensiones de teléfono en su línea. Intente desconectar algunos teléfonos.
- Ve a las soluciones para "No hay tono de marcar."
- Asegúrese que la función de No Molestar no haya sido activada.

La voz entrante se escucha muy levemente o no se escucha

- Verifique y ajuste los controles del volumen.

El Marcado desde la Memoria no funciona

- Asegúrese que haya programado adecuadamente las teclas de las localizaciones de memoria. Asegúrese que haya programado adecuadamente las teclas de las localizaciones de memoria.
- Asegúrese que haya seguido la secuencia adecuada para marcar.

## Cuidado General del Producto

Para mantener su teléfono funcionando bien y con buena apariencia, observe las siguientes pautas:

- Evite poner el teléfono cerca de calentadores (calefactores) de ambiente y dispositivos que generen interferencia eléctrica (ejemplo, motores o lámparas fluorescentes).
- No lo exponga a la luz solar directa o a la humedad.
- No deje caer la extensión móvil y no maltrate el teléfono.
- Limpie el teléfono con un trapo suave
- Nunca use un agente de limpieza fuerte ni un polvo abrasivo, ya que esto dañará el acabado.
- Retenga el empaque original en caso de que necesite embarcar el auricular en el futuro.

### Cómo Obtener Servicios de Mantenimiento

Si usted experimenta problemas con este equipo, para reparaciones o para información de garantía, comuníquese con el departamento de servicio al cliente al **1-800-511-3180**. Si el equipo está causando daños a la red telefónica, la compañía telefónica puede pedirle que desconecte su equipo hasta que el problema haya sido resuelto.

Este producto puede únicamente ser reparado por el fabricante o sus agentes de reparación autorizados. Cualquier cambio o modificación no aprobados expresamente por Thomson Inc. podría ser motivo de anulación de la autoridad del usuario para operar este producto. Para recibir instrucciones sobre cómo obtener servicios de mantenimiento, por favor consulte la garantía incluida en esta Guía, o llame a Información para el Usuario, **1-800-511-3180**.

O envíe sus preguntas a:

Thomson Inc.

Gerente, Servicio al Consumidor

P.O. Box 1976

Indianápolis, IN 46206-1976

Adjunte su recibo al folleto, para futura referencia, o anote la fecha en la que se compró o recibió este producto como regalo. Esta información será valiosa si se llegase a requerir durante el período de garantía.

Fecha de compra \_\_\_\_\_

Nombre de la tienda \_\_\_\_\_

## Garantía Limitada

### Lo que cubre su garantía:

- Defectos de materiales o de trabajo.

### Por cuánto tiempo después de la compra:

- Un año, a partir de la fecha de compra.

(El periodo de garantía para unidades arrendadas se inicia con la primera renta o 45 días de la fecha del embarque a la firma de arrendamiento, lo que ocurra primero).

### Lo que haremos:

- Proporcionarle una unidad nueva o, a nuestra opción, una reacondicionada. La unidad de intercambio quedará bajo garantía por el resto del periodo de garantía del producto original.

### Cómo obtener servicio:

- Empaque bien la unidad, incluyendo todos los cables, etc., que originalmente venían con el producto. Se recomienda usar el cartón y materiales de empaque originales.
- "Prueba de compra como factura o recibo de compra, que ofrezca evidencia de que el producto está dentro del periodo de garantía, debe ser presentado para obtener servicio bajo garantía." Para compañías de arrendamiento, se requiere como evidencia el primer contrato de renta. También escriba claramente su nombre, dirección y la descripción del defecto. Mande vía UPS o un servicio de paquetería equivalente a:

Thomson Inc.  
c/o Thomson  
11721 B Alameda Ave.  
Socorro, Texas 79927

- Pague cualquier cargo que le facture el Centro de Intercambio por servicio que no esté cubierto por garantía.
- Asegure su empaque para prevenir pérdida o daño. Thomson Inc. no acepta responsabilidad en caso de pérdida o daño.
- Un aparato nuevo o uno remozado se le enviará con los cargos pagados.

### Lo que no cubre la garantía:

- Instrucciones al cliente. (Su manual de propietario le proporciona la información con respecto a las instrucciones de operación y los controles del usuario. Cualquier información adicional debe obtenerse con su agente de ventas.
- Ajustes de instalación y de preparación del servicio.
- Baterías.
- Daño por mal uso o negligencia.
- Productos que han sido modificados o incorporados a otros productos.
- Productos comprados o que han recibido servicio fuera de los Estados Unidos.

## Otra Información

---

- Desastres naturales, por ejemplo y sin limitarse a ellos, daños por relámpagos.

### Registro del Producto:

- Por favor llene y envíe por correo la Tarjeta de Registro del Producto que se embarcó con su producto. Hará más fácil que hagamos contacto con usted si fuera necesario. No se requiere la devolución de la tarjeta para tener la cobertura de la garantía.

### Limitaciones sobre la Garantía:

- LA GARANTÍA ESPECIFICADA ANTERIORMENTE ES LA ÚNICA GARANTÍA APLICABLE A ESTE PRODUCTO. CUALQUIER OTRA GARANTÍA, EXPRESA O IMPLÍCITA (INCLUYENDO TODAS LAS GARANTÍAS IMPLÍCITAS DE MERCADO O DE SALUD PARA CUALQUIER PROPÓSITO) SON CONSIDERADAS NO VÁLIDAS. NINGUNA INFORMACIÓN VERBAL O ESCRITA OTORGADA POR THOMSON INC., SUS AGENTES, O EMPLEADOS SERÁ CONSIDERADA PARA CREAR UNA GARANTÍA NI PARA AUMENTAR BAJO NINGUNA CIRCUNSTANCIA LA COBERTURA DE ESTA GARANTÍA.
- LA REPARACIÓN O REEMPLAZO DE UN PRODUCTO COMO SE ESPECIFICA BAJO ESTA GARANTÍA ES EL REMEDIO EXCLUSIVO DEL CONSUMIDOR. THOMSON INC. NO SE HACE RESPONSIBLE POR DAÑOS INCIDENTALES, DAÑOS DERIVADOS COMO CONSECUENCIA DEL USO DE ESTE PRODUCTO, O COMO RESULTADO DEL INCUMPLIMIENTO DE CUALQUIER GARANTÍA IMPLÍCITA O EXPRESA DE ESTE PRODUCTO. LA INVALIDEZ DE LAS GARANTÍAS O LAS GARANTÍAS LIMITADAS ESTÁN REGLAMENTADAS POR LAS LEYES DEL ESTADO DE INDIANA. EXCEPTO POR EL ALCANCE ESTABLECIDO POR LAS LEYES APLICABLES, CUALQUIER GARANTÍA IMPLÍCITA DE MERCADO O DE SALUD PARA CUALQUIER PROPÓSITO, EN ESTE PRODUCTO ES LIMITADA AL PERÍODO DE GARANTÍA ESPECIFICADO ANTERIORMENTE.

### Cómo se Relaciona la Ley Estatal a esta Garantía:

- Algunos estados no permiten la exclusión ni limitación de daño incidental o derivado de alguna consecuencia, o la limitación con respecto al período de tiempo que debe aplicarse para garantías implícitas, por lo tanto las limitaciones y exclusiones mencionadas anteriormente pueden no ser aplicables para usted.
- Esta garantía le ofrece derechos legales específicos, y usted puede tener otros derechos legales que varían de estado a estado.

### Si compró su producto fuera de los Estados Unidos:

- Esta garantía no se aplica. Vea a su distribuidor para información sobre la garantía.

**A**

Ajuste del Tono de Audio 32  
Auricular 23  
Auricular y Audífonos 21

**B**

Botón de Servicios Especiales ("Flash") 22

**C**

Caller ID (Identificador de Llamadas) con  
Call Waiting (Llamada en Espera) 27  
Clave de Área Local 17  
Claves de Área Regionales 17  
Cómo Obtener Servicios de Mantenimiento  
34  
Compatibilidad con Audífonos (CCA) 3  
Conexión y Programación 7,8,9  
Conferencia 23  
Contraste del LCD 14  
Cuidado General del Producto 33

**E**

En Espera 22  
Enmudecedor 21

**F**

Formato de la Base 7  
Formato de la Hora 14  
Función de No Molestar 23  
Función de Remarcado Automático 31  
Funciones del Identificador de Llamadas  
(Caller ID) 25

**G**

Garantía Limitada 35  
Guía para Solución de Problemas 32

**I**

Idioma de la Pantalla 13  
Indicador de Llamada Nueva 18  
Información de Accesorios 39  
Información de Interferencias 3  
Información Importante 2  
Información sobre la Aprobación de Equipo  
2  
Introducción 6

**L**

La Luz de Fondo del LCD 15  
Licensing 3

**M**

Marcado en Cadena 30  
Memoria 28  
Memoria de Acceso Directo y Directorio de  
Memoria 28  
Mensaje de Voz 24  
Mensajes de la Pantalla 32

**O**

o Audífonos 23  
Operación del Teléfono 19  
Otra Información 32

## P

- Pantalla Sumario 25
- Para Almacenar el Último Número Marcado 29
- Para Almacenar una Pausa 29
- Para Almacenar un Nombre y Número en la Memoria 28
- Para Apagar el Indicador de Mensajes de Voz: 24
- Para Borrar Todas las Memorias del Directorio 31
- Para Borrar todos los Archivos del Identificador de Llamadas 26
- Para Borrar un Archivo del Identificador de Llamadas 26
- Para Cambiar entre Altavoz 21
- Para Cambiar un Nombre o Número Almacenado 29
- Para Hacer Llamadas con el Altavoz 19
- Para Hacer Llamadas con el Auricular 19
- Para Hacer Llamadas con los Audífonos Opcionales 19
- Para Instalar el Pedestal sobre la Superficie Plana 11
- Para Instalar el Teléfono 9
- Para Liberar una Llamada en Espera 22
- Para Marcar un Número Almacenado 30
- Para Montar la Base sobre la Pared 12
- Para Poner una Llamada en Espera 22
- Para Programar el Teléfono 13
- Para Programar la Fecha y Hora Manualmente 13
- Para Recibir Llamadas con el Altavoz 20

- Para Recibir Llamadas con el Auricular 20
- Para Recibir Llamadas con los Audífonos Opcionales 20
- Para Recibir y Almacenar Archivos del Identificador de Llamadas 25
- Para Restablecer las Programaciones de Fábrica 19
- Para Revisar Archivos del Identificador de Llamadas 25
- Para Revisar Nombre y Números Almacenados 29
- Para Salvar Archivos del Identificador de Llamadas a la Memoria /Directorio de Memoria 26
- Para Volver a Marcar 26
- Para Volver a Marcar ("Redial") 22
- Pre-Marcado de Números Telefónicos 21

## T

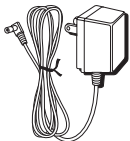
- Temporizador de Llamadas 21
- Terminal de Datos 11
- Tiempo para Servicios Especiales ("Flash") 18
- Tono de Timbre 15
- Tono para Alerta de Llamada 16

## V

- Volumen 22
- Volumen del Altavoz 23
- Volumen del Timbre 22
- Volumen del Tono de Tecla 16

## Información de Accesorios

---



Convertidor de corriente AC

5-2719



Audífonos

5-2425

Para ordenar, tenga lista su tarjeta Visa, Mastercard o Discover y llame al 1-800-338-0376.

Se aplicará un cargo por envío al ordenar. La ley nos requiere que cobremos el impuesto sobre la venta apropiado para cada estado, condado y área individuales a las cuales se envíe la mercancía.

Los artículos están sujetos a disponibilidad.

Visite el sitio de RCA en [www.rca.com](http://www.rca.com)

---

Por favor no envíe ningún producto a la dirección de Indianápolis enlistada en este manual o en la caja. Esto únicamente resultará en un retraso para dar servicio a su producto.

**Thomson Inc.**

10330 North Meridian Street

Indianapolis, IN 46290

© 2006 Thomson Inc.

Trademark(s) ® Registered

Marca(s) Registrada(s)

Modelo 25204

00007055 (Rev. 0 DOM E/S)

06-48

Impreso en China



**THOMSON**

**THOMSON** 