

Please read and save these instructions. Read carefully before attempting to assemble, install, operate or maintain the product described. Protect yourself and others by observing all safety information. Failure to comply with instructions could result in personal injury and/or property damage! Retain instructions for future reference.

Dayton® Centrifugal Belt-Drive Upblast Exhaust Ventilators

Description

Dayton ventilators are designed for continuous operation to exhaust contaminated air, fumes, odors and grease-laden vapors from range hoods and commercial cooking appliances in addition to ventilating industrial or institutional applications. Ventilators can handle temperatures up to 300°F. Weather resistant ventilators feature spun aluminum curb, galvanized metal motor base and supports. Ventilators (excluding 6KWJ9, and 6KWK0 thru 6KWK3) are UL/cUL Listed, Standard 705 and UL/cUL Listed Subject 762 (YZHW) and comply with the NFPA 96 Standard for Ventilation Control and Fire Protection Commercial Cooking Operations. Motors are mounted out of the discharge stream in a positively cooled chamber fed by outside air drawn in through a breather tube.

High Pressure units are designed for applications that have a high resistance to exhaust contaminated air in industrial and commercial applications, directly away from the roof surface. Typically used for long and/or high resistance duct work with average volume and high pressure.

When used with explosion proof motor, ventilators 6KWJ9 and 6KWK0 thru 6KWK3 may be used to exhaust potential flammable particles or fumes. Ventilators feature spark-resistant aluminum wheel and rub ring for hazardous locations.

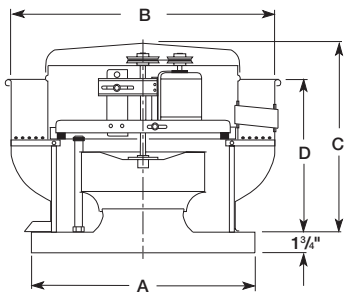


Figure 1 — Dimensions



Dayton Electric Mfg. Co. certifies that the ventilators shown herein are licensed to bear the AMCA seal. The ratings shown are based on tests and procedures performed in accordance with AMCA Publication 211 and AMCA Publication 311 and comply with the requirements of the AMCA Certified Ratings Program.



Optional Accessories

General or UL 705	
Description	Model No.
NEMA 1 Dis. Switch:	
	1H400 (2 pole, 2 HP max)
	1H401 (3 pole, 7½ HP max)
Damper:	4HX64-4HX70
12" Fixed Roof Curb:	
	2RB75-2RB77, 2RB79-2RB82
12" Adj. Roof Curb:	2ZV82-2ZV85
Roof Curb Adapter:	
	3AZK1-3AZK9, 3AZL1-3AZL3
Birdscreen:	4YY78-4YY83

Kitchen or UL 762	
Description	Model No.
NEMA 4 Dis. Switch:	
	1H408 (2 pole, 2 HP max)
	1H409 (3 pole, 7½ HP max)
Grease Collector Box:	1RL34, 4HX78
Hinge Kit:	4HX79, 4YY84-4YY86
Clean-Out Port Kit:	3ATV9
18-24" Ventilated Fixed Roof Curb:	
	4HX54-4HX60
18-24" Ventilated Adj. Roof Curb:	
	4HX61-4HX63

WARNING Do not use a damper in any kitchen exhaust application.

Dimensions and Specifications (See Figure 1)

Model Without Drive Package	Model With Drive Package, Assembled	Wheel Dia.	Shaft Dia.	A	B	C	D	Recommended Roof Opening Damper Size	
4YY13	1MBE6	11"	3/4"	19"	24 7/8"	25 1/8"	17 3/8"	14 1/2" x 14 1/2"	12 x 12"
4YY14, 2RB65, 6KWJ9	1MBE7	11 1/4"	3/4"	22"	24 7/8"	25 1/8"	17 3/8"	17 1/2" x 17 1/2"	15 x 15
5DVL4	—	12 1/2"	3/4"	22"	24 7/8"	25 1/8"	17 3/8"	17 1/2" x 17 1/2"	15 x 15
4YY15, 6KWK0	1MBE8	13 1/4"	3/4"	22"	24 7/8"	25 1/8"	17 3/8"	17 1/2" x 17 1/2"	15 x 15
4YY16A, 2RB66, 6KWK1	5PV06H, 3ATT8A, 3ATT9A, 3ATU1A	14 3/4"	3/4"	26"	28 7/8"	26 3/8"	19 3/8"	21 1/2" x 21 1/2"	19 x 19
4YY17, 1MBF1, 6KWK2	1MBE9, 3ATU2, 3ATU3	16 1/2"	3/4"	26"	28 7/8"	26 3/8"	19 3/8"	21 1/2" x 21 1/2"	19 x 19
4YY18, 6KWK3	5PV07G, 3ATU4, 3ATU5, 3ATU6	18 1/2"	3/4"	30"	35 3/8"	34 3/4"	21"	25 1/2" x 25 1/2"	23 x 23
4YY19, 1MBF2	5PV08G, 3ATU7, 3ATU8	21 1/4"	3/4"	30"	35 3/8"	34 3/4"	21"	25 1/2" x 25 1/2"	23 x 23
4YY20	3GY73G, 3ATU9, 3ATV1	24 1/2"	1"	34"	42 3/4"	39 1/2"	25 1/2"	29 1/2" x 29 1/2"	27 x 27
4YY21	3GY74G, 3ATV2	30 1/2"	1"	42"	50"	40"	29 1/4"	37 1/2" x 37 1/2"	35 x 35
4YY22	—	36"	1 1/4"	46"	58 7/8"	44 5/8"	29 1/16"	41 1/2" x 41 1/2"	39 x 39

Dayton® Centrifugal Belt-Drive Upblast Exhaust Ventilators

E
N
G
L
I
S
H

Without Drive Package Performance

Model	Wheel Dia.	Fan RPM	HP	Max BHP	Sones @ .250" SP CFM Air Delivery @ Static Pressure Shown										
					@ 5 Ft.	.000"	.125"	.250"	.375"	.500"	.750"	1.00"	1.25"	1.50"	1.75"
4YY13	11"	1140	1/6	0.06	8.3	780	656	502	294	—	—	—	—	—	—
		1725	1/4	0.20	13.0	1180	1094	1017	929	824	586	—	—	—	—
4YY14, 6KWJ9‡	11¼"	1660	1/4	0.26	12.0	1413	1365	1313	1251	1189	1056	861	—	—	—
		1820	1/3	0.35	13.4	1549	1505	1459	1406	1350	1234	1106	900	—	—
5DVL4	12½"	1410	1/4	0.26	12.2	1665	1595	1528	1463	1398	1224	968	—	—	—
		1545	1/3	0.34	14.0	1824	1760	1699	1639	1580	1441	1262	990	—	—
		1725	1/2	0.48	16.7	2037	1979	1923	1869	1816	1710	1571	1406	1176	—
4YY15, 6KWK0‡	13¼"	1305	1/4	0.26	13.9	1790	1709	1629	1547	1458	1201	—	—	—	—
		1435	1/3	0.35	15.1	1968	1895	1822	1749	1671	1479	1198	—	—	—
		1645	1/2	0.52	17.4	2256	2192	2128	2065	2001	1864	1684	1455	—	—
4YY16A, 6KWK1‡	14¾"	1105	1/4	0.26	10.6	2001	1906	1793	1667	1515	998	—	—	—	—
		1210	1/3	0.34	11.7	2192	2106	2006	1896	1773	1443	—	—	—	—
		1390	1/2	0.52	14.2	2518	2445	2362	2271	2174	1949	1643	—	—	—
		1595	3/4	0.79	18.5	2889	2826	2757	2683	2602	2430	2225	1968	1568	—
		1725	1	1.00	22	3125	3066	3005	2936	2865	2711	2539	2339	2085	1704
4YY17, 6KWK2‡	16½"	875	1/4	0.26	10.1	2515	2362	2177	1974	1744	—	—	—	—	—
		965	1/3	0.35	11.5	2774	2637	2477	2300	2109	1584	—	—	—	—
		1110	1/2	0.54	14.2	3191	3072	2941	2796	2641	2297	1770	—	—	—
		1265	3/4	0.79	17.7	3636	3532	3426	3301	3172	2894	2583	2163	—	—
		1390	1	1.05	21	3996	3901	3806	3698	3584	3340	3078	2785	2394	—
4YY18, 6KWK3‡	18½"	745	1/4	0.26	8.1	2815	2617	2448	2143	1763	—	—	—	—	—
		820	1/3	0.34	10.0	3098	2916	2759	2525	2257	—	—	—	—	—
		940	1/2	0.52	13.1	3551	3389	3243	3115	2879	2363	—	—	—	—
		1075	3/4	0.78	15.8	4061	3919	3786	3666	3554	3141	2652	—	—	—
		1185	1	1.04	17.1	4477	4348	4224	4108	4005	3703	3336	2841	—	—
		1360	1½	1.58	22	5138	5026	4913	4811	4710	4532	4232	3912	3537	3023
		1495	2	2.10	27	5648	5546	5443	5345	5254	5082	4921	4598	4313	3983
4YY19	21¼"	605	1/4	0.26	6.7	3403	3054	2675	2144	—	—	—	—	—	—
		665	1/3	0.35	8.1	3740	3422	3096	2699	2073	—	—	—	—	—
		760	1/2	0.52	10.9	4275	3994	3718	3413	3048	—	—	—	—	—
		875	3/4	0.79	15.2	4922	4676	4439	4192	3922	3240	—	—	—	—
		960	1	1.04	17.7	5400	5176	4958	4742	4508	3985	3169	—	—	—
		1100	1½	1.57	23	6187	5992	5798	5610	5421	5006	4529	3861	—	—
		1210	2	2.10	23	6806	6628	6451	6279	6108	5748	5350	4892	4289	3365
4YY20	24½"	465	1/4	0.26	6.3	4216	3768	3188	2162	—	—	—	—	—	—
		510	1/3	0.34	7.3	4623	4243	3717	3134	—	—	—	—	—	—
		585	1/2	0.52	9.5	5303	4961	4540	4093	3565	—	—	—	—	—
		670	3/4	0.79	12.8	6074	5763	5461	5052	4659	3524	—	—	—	—
		735	1	1.04	15.5	6663	6370	6133	5764	5409	4618	—	—	—	—
		845	1½	1.57	18.6	7660	7400	7184	6947	6615	6002	5282	—	—	—
		930	2	2.10	23	8431	8194	7985	7798	7536	6953	6375	5706	4324	—
		1050	3	3.00	31	9519	9309	9107	8941	8775	8267	7766	7253	6672	6005

(‡) Ventilator for use with explosion proof motor in hazardous locations. Performance certified is for installation type A: Free inlet, Free outlet. Power rating (BHP) does not include transmission losses. Performance ratings do not include the effects of appurtenances (accessories). The sound ratings shown are loudness values in fan sones at 5 ft. (1.5 m) in a hemispherical free field calculated per AMCA Standard 301. Values shown are for installation type A: Free inlet hemispherical sone levels.

Models 1MBF1, 1MBF2, 1MBE6 thru 1MBE9, 2RB65, 2RB66, 3ATT8A, 3ATT9A, 3ATU1A, 3ATU2 thru 3ATU9, 3ATV1, 3ATV2, 3GY73G, 3GY74G, 4YY13 thru 4YY15, 4YY16A, 4YY17 thru 4YY22, 5DVL4, 5PV06H, 5PV07G, 5PV08G, 6KWKJ9, 6KWK0 thru 6KWK3

Without Drive Package Performance (Continued)

Model	Wheel Dia.	Fan RPM	HP	Max BHP	Sones @ .250" SP @ 5 Ft.	CFM Air Delivery @ Static Pressure Shown									
						.000"	.125"	.250"	.375"	.500"	.750"	1.00"	1.25"	1.50"	1.75"
4YY21	30½"	365	1/3	0.34	5.7	5940	5316	4464	—	—	—	—	—	—	—
		420	1/2	0.52	7.5	6835	6314	5660	4820	—	—	—	—	—	—
		480	3/4	0.77	9.9	7811	7377	6844	6231	5440	—	—	—	—	—
		530	1	1.05	12.2	8625	8231	7772	7245	6636	—	—	—	—	—
		605	1½	1.55	15.7	9845	9501	9127	8705	8226	7084	—	—	—	—
		665	2	2.07	18.6	10,822	10,508	10,193	9808	9411	8495	7271	—	—	—
		765	3	3.15	23	12,449	12,176	11,904	11,607	11,273	10,554	9743	8756	7352	—
905	5	5.21	32	14,727	14,497	14,266	14,036	13,788	13,223	12,614	11,963	11,191	10,357		
4YY22	36	320	1/2	0.52	6.0	8631	7820	6755	5256	—	—	—	—	—	
		365	3/4	0.78	8.5	9845	9142	8299	7286	5767	—	—	—	—	
		400	1	1.02	11.1	10,789	10,153	9426	8556	7575	—	—	—	—	
		460	1½	1.55	15.8	12,408	11,862	11,281	10,587	9814	7809	—	—	—	
		505	2	2.06	19.8	13,621	13,125	12,602	12,022	11,359	9878	—	—	—	
		580	3	3.13	23	15,644	15,212	14,769	14,306	13,783	12,597	11,287	9381	—	
690	5	5.26	28	18,611	18,248	17,884	17,504	17,115	16,236	15,243	14,187	12,985	11,290		

Performance certified is for installation type A: Free inlet, Free outlet. Power rating (BHP) does not include transmission losses. Performance ratings do not include the effects of appurtenances (accessories). The sound ratings shown are loudness values in fan sones at 5 ft. (1.5 m) in a hemispherical free field calculated per AMCA Standard 301. Values shown are for installation type A: Free inlet hemispherical sone levels.

Without Drive Package, High Pressure Performance

Model	Wheel Dia.	Fan RPM	HP	Max BHP	Sones @ .500" SP @ 5 Ft.	CFM Air Delivery @ Static Pressure Shown								
						.500"	.750"	1.00"	1.25"	1.50"	1.75"	2.00"	2.25"	2.50"
2RB65	11¼"	2045	1/4	0.26	13.9	761	693	615	522	346	—	—	—	—
		2250	1/3	0.35	14.4	860	804	737	665	579	456	—	—	—
		2580	1/2	0.53	16.8	1014	969	919	861	799	735	655	550	323
2RB66	14¾"	1465	1/4	0.26	14.2	1016	920	798	642	—	—	—	—	
		1605	1/3	0.34	15.2	1146	1063	965	846	704	—	—	—	
		1845	1/2	0.52	17.0	1363	1292	1219	1137	1042	924	800	—	
		2110	3/4	0.78	19.8	1592	1536	1473	1409	1341	1262	1178	1073	965
1MBF1	16½"	1065	1/4	0.26	11.0	1487	1252	—	—	—	—	—	—	
		1165	1/3	0.34	12.8	1697	1504	1252	—	—	—	—	—	
		1340	1/2	0.52	14.4	2053	1897	1724	1513	—	—	—	—	
		1535	3/4	0.74	18.1	2433	2301	2165	2015	1855	1638	—	—	
		1690	1	1.05	21	2722	2611	2488	2365	2228	2082	1899	1664	—
1MBF2	21¼"	880	1/2	0.52	10.5	2779	2317	—	—	—	—	—	—	
		1010	3/4	0.79	14.5	3397	3067	2637	—	—	—	—	—	
		1110	1	1.04	16.9	3851	3561	3242	2806	—	—	—	—	
		1270	1½	1.56	22	4558	4312	4055	3789	3433	2944	—	—	
		1400	2	2.09	24	5110	4898	4674	4436	4195	3880	3515	—	
1600	3	3.13	29	5943	5775	5581	5385	5182	4971	4760	4476	4189		

Performance certified is for installation type A: Free inlet, Free outlet. Power rating (BHP) does not include transmission losses. Performance ratings do not include the effects of appurtenances (accessories). The sound ratings shown are loudness values in fan sones at 5 ft. (1.5 m) in a hemispherical free field calculated per AMCA Standard 301. Values shown are for installation type A: Free inlet hemispherical sone levels.

ENGLISH



Dayton® Centrifugal Belt-Drive Upblast Exhaust Ventilators

ENGLISH

With Drive Package, Assembled Performance

Model	Wheel Dia.	Fan RPM	HP	Max BHP	Sones @										
					.250" SP @ 5 Ft.	CFM Air Delivery @ Static Pressure Shown									
1-PHASE, 115/208-230															
1MBE6	11"	1725	1/4	0.20	13.0	1180	1094	1017	929	824	586	—	—	—	—
1MBE7	11¼"	1820	1/3	0.35	13.4	1549	1505	1459	1406	1350	1234	1171	1106	900	—
1MBE8	13¼"	1645	1/2	0.52	17.4	2256	2192	2128	2065	2001	1864	1778	1684	1455	—
3ATT8A	14¾"	1390	1/2	0.52	14.2	2518	2445	2362	2271	2174	1949	1643	—	—	—
5PV06H	14¾"	1595	3/4	0.79	18.5	2889	2826	2757	2683	2602	2430	2332	2225	1968	1568
3ATT9A	14¾"	1725	1	1.00	22	3125	3066	3005	2936	2865	2711	2539	2339	2085	1704
3ATU2	16½"	1265	3/4	0.79	17.7	3636	3532	3426	3301	3172	2894	2583	2163	—	—
1MBE9	16½"	1390	1	1.05	21	3996	3901	3806	3698	3584	3340	3078	2785	2394	—
3ATU4	18½"	1075	3/4	0.78	15.8	4061	3919	3786	3666	3554	3141	2652	—	—	—
5PV07G	18½"	1185	1	1.04	17.1	4477	4348	4224	4108	4005	3703	3515	3336	2841	—
3ATU5	18½"	1360	1½	1.58	22	5138	5026	4913	4811	4710	4532	4232	3912	3537	3023
3ATU7	21¼"	960	1	1.04	17.7	5400	5176	4958	4742	4508	3985	3169	—	—	—
5PV08G	21¼"	1100	1½	1.57	23	6187	5992	5798	5610	5421	5006	4773	4529	3861	—
3ATU9	24½"	845	1½	1.57	18.6	7660	7400	7184	6947	6615	6002	5282	—	—	—
3-PHASE, 208-230/460															
3ATU1A	14¾"	1725	1	1.00	22	3125	3066	3005	2936	2865	2711	2539	2339	2085	1704
3ATU3	16½"	1390	1	1.05	21	3996	3901	3806	3698	3584	3340	3078	2785	2394	—
3ATU6	18½"	1360	1½	1.58	22	5138	5026	4913	4811	4710	4532	4232	3912	3537	3023
3ATU8	21¼"	1210	2	2.10	23	6806	6628	6451	6279	6108	5748	5350	4892	4289	3365
3GY73G	24½"	930	2	2.10	23	8431	8194	7985	7798	7536	6953	6683	6375	5706	4324
3ATV1	24½"	1050	3	3.00	31	9519	9309	9107	8941	8775	8267	7766	7253	6672	6005
3GY74G	30½"	765	3	3.15	23	12,449	12,176	11,904	11,607	11,273	10,554	10,169	9743	8756	7352
3ATV2	30½"	905	5	5.21	32	14,727	14,497	14,266	14,036	13,788	13,223	12,614	11,963	11,191	10,357

Performance certified is for installation type A: Free inlet, Free outlet. Power rating (BHP) does not include transmission losses. Performance ratings do not include the effects of appurtenances (accessories). The sound ratings shown are loudness values in fan sones at 5 ft. (1.5 m) in a hemispherical free field calculated per AMCA Standard 301. Values shown are for installation type A: Free inlet hemispherical sone levels.

Unpacking

1. Inspect for any damage that may have occurred during transit.
2. Shipping damage claim must be filed with carrier.
3. Check all bolts, screws, set-screws, etc. for looseness that may have occurred during transit. Retighten as required. Rotate wheel by hand to be sure it turns freely.

General Safety Information

⚠ DANGER Do not depend on any switch as the

sole means of disconnecting power when installing or servicing the fan. Always disconnect, lock and tag power source before installing or servicing. Failure to disconnect power source can result in fire, shock or serious injury. Motor will restart without warning after thermal protector trips. Do not touch operating motor, it may be hot enough to cause injury.

⚠ DANGER Do not place any body parts or objects in fan, motor openings or drives while motor is connected to power source.

⚠ WARNING Do not use this equipment in

explosive atmospheres unless motor and disconnect are suitable for use in hazardous environments.

1. Read and follow all instructions and cautionary markings. Make sure electrical power source conforms to requirements of equipment and local codes.
2. Ventilators should be assembled, installed and serviced by a qualified technician. Have all electrical work performed by a qualified electrician.

Models 1MBF1, 1MBF2, 1MBE6 thru 1MBE9, 2RB65, 2RB66, 3ATT8A, 3ATT9A, 3ATU1A, 3ATU2 thru 3ATU9, 3ATV1, 3ATV2, 3GY73G, 3GY74G, 4YY13 thru 4YY15, 4YY16A, 4YY17 thru 4YY22, 5DVL4, 5PV06H, 5PV07G and 5PV08G, 6KWJ9, 6KWK0 thru 6KWK3

General Safety Information (Continued)

3. Follow all local electrical and safety codes in the United States and Canada, as well as the National Electrical Code (NEC), the Occupational Safety and Health Act (OSHA), and the National Fire Protection Association (NFPA) Bulletin 96 in the United States. Ground motor in accordance with NEC Article 250 (grounding). Follow the Canadian Electric Code (CEC) in Canada.

CAUTION To reduce the risk of injury to persons, observe the following:

OSHA requires OSHA complying guards when ventilator is installed within 2.1 meters (7 feet) of floor or working level.

UL/cUL Standards require OSHA complying guards when ventilator is installed within 2.5 meters (8 feet) of floor or working level.

4. Do not kink power cable or allow it to come in contact with sharp objects, oil, grease, hot surfaces or chemicals. Replace damaged cords immediately.
5. Make certain that the power source conforms to the requirements for the equipment.
6. Never open access door to a duct with the ventilator running.
7. Motor must be securely and adequately grounded. Accomplish this by wiring with a grounded, metal-clad race way system by using a separate ground wire connected to the bare metal of the motor frame, or other suitable means.

Installation

WARNING Installation, troubleshooting and parts replacement is to be performed

only by a qualified personnel. Consult and follow NFPA 96 recommendations. NFPA 96 instructions supercede this document.

CAUTION Do not raise ventilator by its windband; use a sling or platform.

ROOF MOUNTING

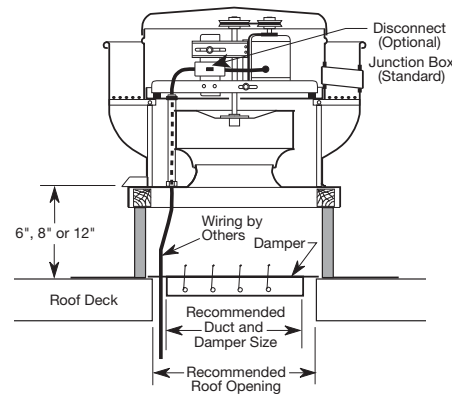


Figure 2 — Typical Roof-Mount

NOTE: Mount unit with a Dayton roof curb (purchased separately).

1. Cut an appropriate sized hole in the roof surface. Follow curb manufacturer's installation instructions. Caulk and flash curb to ensure a water tight seal.
2. Install optional backdraft damper. Secure damper flange to curb damper tray, with fasteners provided.
3. Remove motor compartment cover by removing fasteners.

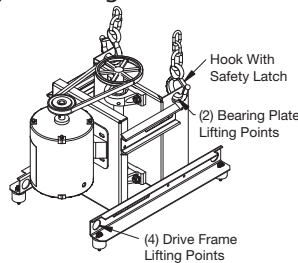


Figure 3 — Lifting Lugs

4. Use lifting lugs on the drive frame to lift and place the unit on top of curb. See Figure 3.
5. Secure ventilator to roof curb using a minimum of eight fasteners.
6. Check ventilator wheel for free rotation.
7. Check all fasteners for tightness.
8. Mount and wire safety disconnect switch under ventilator cover and wire motor per connection wiring diagram. See Electrical Connection, Figure 8. Wire control switches at ground level.
9. Replace motor cover.
10. A drain trough is provided on all Dayton roof mount upblast ventilators. Collection for grease and residue must be provided.

UL 762 COMMERCIAL KITCHEN

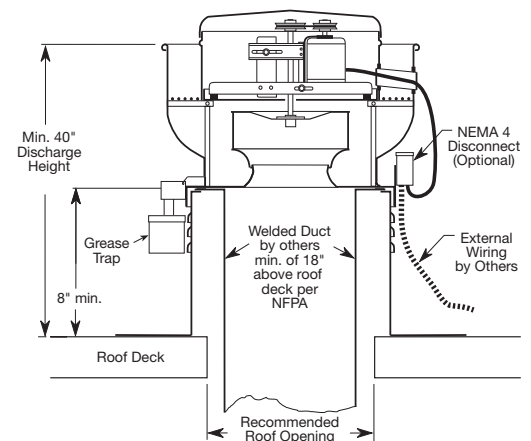


Figure 4 — Kitchen Roof-Mount

1. Install per NFPA 96 requirements for restaurant exhaust appliances.
2. Use optional grease collector box, hinge kit, or external junction box.

WARNING Do not use a damper in any kitchen exhaust application.

ENGLISH

Dayton® Centrifugal Belt-Drive Upblast Exhaust Ventilators

ENGLISH

Installation (Continued)

- Duct size must be equal to or larger than inlet opening. Some local codes require a continuous weld between duct and inlet. Keep motor cooling tube clear.

MOTOR AND PULLEY MOUNTING

NOTE: For UL listed units, the motor used with this fan must be designated as such by Dayton.

- Secure motor to plate using hardware provided. Holes will align when the motor frame (shaft end) is flush with the edge of the motor plate.

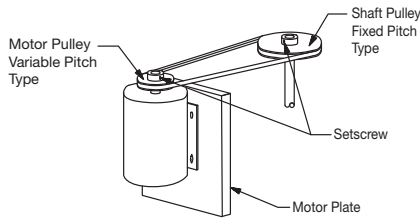


Figure 5 — Drive Package Diagram

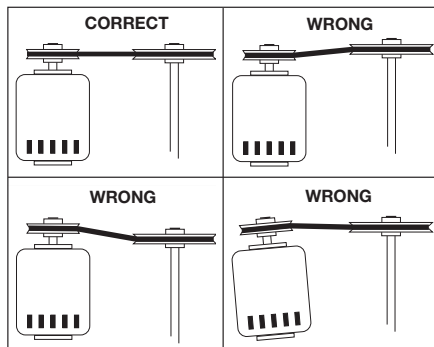


Figure 6 — Pulley Alignment

- Mount pulleys on shafts securing to shaft with set screw. Check pulleys for proper alignment. Misaligned pulleys lead to excessive belt wear, vibration, noise and blower loss.
- Install the belt and adjust the tension to allow for 1/64" of deflection per inch of span when moderate thumb

pressure is applied to the belt. Too much tension will cause excess bearing wear and noise. Too little tension will cause slippage at startup and uneven wear.

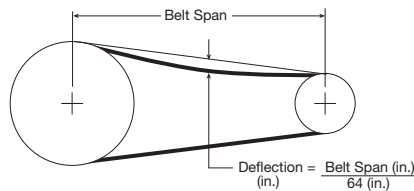


Figure 7 — Belt Tension

- Adjust RPM to desired level using a variable pitch pulley. After adjustment, motor amperage should be checked to avoid overloading of the motor.

ELECTRICAL CONNECTION

NOTE: Refer to motor nameplate for wiring procedures. Refer to switch manufacturer for installation and wiring procedures.

NOTE: Exhaust fans used in kitchen ventilation applications must have external wiring.

- Motor and fan must be securely grounded (bare metal) to a suitable electric ground, such as a grounded water pipe or ground wire system.

CAUTION Comply with all local codes including the National Electrical Code (NEC) and National Fire Protection Act (NFPA).

NOTE: Motor and disconnect must be classified as hazardous for fan to be suitable for use in hazardous environments. Installation must be performed by a qualified personnel with suitable motor and disconnect for application.

NOTE: Refer to Figure 8 for connection wiring diagram.

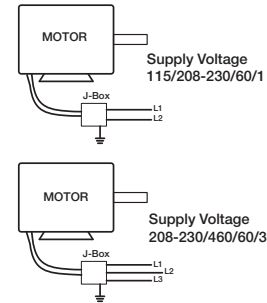


Figure 8 — Typical Wiring Diagram

CAUTION Install in accordance to NEC 70 and NFPA requirements.

Operation

- Before starting up or operating your new Dayton ventilator, check all fasteners for tightness. In particular, check set screws in wheel hub (and sheaves, if applicable). While in the OFF position, or before connecting the ventilator to power, turn the fan wheel by hand to be sure it is not striking the orifice or any obstacle.
- Start the ventilator up and shut it off immediately to check rotation of the wheel with directional arrow in the motor compartment. Ventilator wheel should rotate **clockwise** when viewed from the top.
- When the ventilator is started, observe the operation and check for any unusual noises.
- With the system in full operation and all duct work attached, measure current (amps) input to the motor and compare with the nameplate rating (full-load amps) to determine if the motor is operating under safe load conditions.

IMPORTANT: Adjust (tighten) belt tension after the first 48 hours of operation.

Models 1MBF1, 1MBF2, 1MBE6 thru 1MBE9, 2RB65, 2RB66, 3ATT8A, 3ATT9A, 3ATU1A, 3ATU2 thru 3ATU9, 3ATV1, 3ATV2, 3GY73G, 3GY74G, 4YY13 thru 4YY15, 4YY16A, 4YY17 thru 4YY22, 5DVL4, 5PV06H, 5PV07G and 5PV08G, 6KWJ9, 6KWK0 thru 6KWK3

Maintenance

- ⚠ CAUTION** *Disconnect and lockout power source before servicing.*
- ⚠ WARNING** *Uneven cleaning of the wheel will produce an out of balance condition that will cause vibration in the ventilator.*

1. Keep inlets and approaches to ventilator clean and free from obstruction.
2. Depending on the usage and severity of the contaminated air, a regularly scheduled inspection for cleaning the fan wheel, ventilator, and surrounding areas should be established. Severe applications may require weekly inspection.
3. Check for unusual noises when fan is running.
4. Periodically inspect and tighten set-screws.

5. Periodically check belts for wear and tightness.

NOTE: When replacing belts use the same type as supplied with the unit.

NOTE: For belt replacement, loosen the tension device far enough to allow removal of the belt by hand.

⚠ WARNING *Do not force belts on or off. This may cause cords to break, leading to premature belt failure.*

6. Follow NEC 70 for cleaning when ventilators are installed on Restaurant Exhaust Appliances.
7. Most ventilator bearings are pre-lubricated and require no further lubrication, check bearings.
8. Follow motor manufacturer's instructions for motor lubrication.
9. For disassembly of the motor or wheel, refer to the parts illustration.

10. Grease containers must be emptied at regular intervals to prevent overflow.
11. For critical applications, a spare motor and belts should be available.

RECOMMENDED RELUBRICATION FREQUENCY IN MONTHS

Operating Speed (RPM)	Shaft Dia. in Inches 1/2 to 1 1/2
Up to 500	6
500 - 1000	6
1000 - 1500	5

NOTE: If unusual environmental conditions exist - high temperature, moisture, or contaminants - more frequent lubrication is recommended. Any good quality lithium base grease conforming to NLGI Grade 2 consistency such as those listed here may be used.

Mobil 532	Texaco Multifak #2
Mobilux #2	Texaco Premium RB
B Shell Alvania #2	Unirex N2

Notes

E
N
G
L
I
S
H



For Repair Parts, call 1-800-323-0620

24 hours a day – 365 days a year

Please provide following information:

- Model number
- Serial number (if any)
- Part description and number as shown in parts list

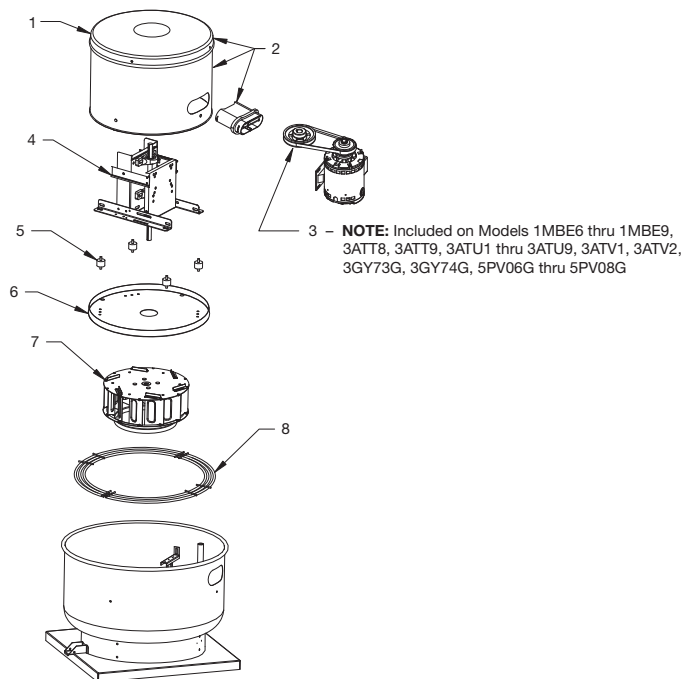


Figure 9 — Repair Parts Illustration for Roof-Mount Centrifugal Belt-Drive Upblast Exhaust Ventilators

Repair Parts List for Roof-Mount Without Drive Package

Reference Number	Description	Part Number For Models:								Qty.
		1MBF1	1MBF2	2RB65	2RB66	4YY13	4YY14	4YY15	4YY16A	
1	Cover	6366366	6366366	6366365	6366366	6366365	6366365	6366365	6366366	1
2	Hood Assembly	6366407	6366486	6366404	6366407	6366404	6366404	6366404	6366407	1
3	Drive Package	—	—	—	—	—	—	—	—	—
4	Drive Frame Assembly	6366401	60H512	50B882	50B884	6366405	6366405	6366405	6366401	1
5	Isolator Kit	6366402	6366406	6366402	6366402	6366402	6366402	6366402	6366402	1
6	Support Plate	6366376	6366374	6366375	6366376	6366375	6366375	6366375	6366376	1
7	Wheel	60H522	60H523	50B881	50B883	6366386	6366393	6366463	53J569	1
8	Birdscreen	4YY79	4YY80	4YY78	4YY79	4YY78	4YY78	4YY78	4YY79	1

Reference Number	Description	Part Number For Models:							Qty.
		4YY17	4YY18	4YY19	4YY20	4YY21	4YY22	5DVL4	
1	Cover	6366366	6366367	6366367	6366363	6366431	6366432	6366365	1
2	Hood Assembly	6366407	6366486	6366486	6366488	6366490	6366492	6366404	1
3	Drive Package	—	—	—	—	—	—	—	—
4	Drive Frame Assembly	6366401	6366487	6366487	6366489	6366491	6366493	50B882	1
5	Isolator Kit	6366402	6366406	6366406	6366406	6366408	6366408	6366402	1
6	Support Plate	6366376	6366374	6366374	6366448	6366449	6366455	6366375	1
7	Wheel	6366465	6366461	6366462	6366464	6366481	6366482	6366385	1
8	Birdscreen	4YY79	4YY80	4YY80	4YY81	4YY82	4YY83	4YY78	1

Reference Number	Description	Part Number For Models:					Qty.
		6KWJ9	6KWK0	6KWK1	6KWK2	6KWK3	
1	Cover	6366365	6366365	6366366	6366366	6366367	1
2	Hood Assembly	6366404	6366404	6366407	6366407	6366486	1
3	Drive Package	—	—	—	—	—	—
4	Drive Frame Assembly	6366405	6366405	6366401	6366401	6366487	1
(*)	Aluminum Rub Ring	50J461	50J461	50J461	50J461	50J461	1
5	Isolator Kit	6366402	6366402	6366402	6366402	6366406	1
6	Support Plate	6366375	6366375	6366376	6366376	6366374	1
7	Wheel	6366393	6366463	53J569	6366465	6366461	1
8	Birdscreen	4YY78	4YY78	4YY79	4YY79	4YY80	1

(*) Not shown. For use with 6KWJ9 and 6KWK0 thru 6KWK3 in potentially hazardous locations.

ENGLISH

For Repair Parts, call 1-800-323-0620**24 hours a day – 365 days a year**

Please provide following information:

-Model number

-Serial number (if any)

-Part description and number as shown in parts list

Repair Parts List for Roof-Mount With Drive Package, Assembled

Reference Number	Description	Part Number For Models:								Qty.
		1MBE6	1MBE7	1MBE8	1MBE9	3ATT8A	3ATT9A	3ATU1A	3ATU2	
1	Cover	6366365	6366365	6366365	6366366	6366366	6366366	6366366	6366366	1
2	Hood Assembly	6366404	6366404	6366404	6366407	6366407	6366407	6366407	6366407	1
3	Drive Package	—	—	—	—	—	—	—	—	—
	Motor	1AGG1	1AGG2	1AGG3	4YU30	1AGG3	4YU30	4YU38	4YU35	1
	Driver Sheave	3X779	3X779	3X779	3X587	3X276	3X264	3X264	3X276	1
	Belt	4L230	3VU39	4L230	3VU41	4L270	3VU40	3VU40	4L290	1
	Driven Sheave	3X274	3X275	3X264	3X264	3X589	3X583	3X583	3X591	1
	Driver Bushing	—	—	—	3X573	3X573	3X573	3X573	3X573	1
4	Drive Frame Assembly	6366405	60H511	6366405	6366401	6366401	6366401	6366401	6366401	1
5	Isolator Kit	6366402	6366402	6366402	6366402	6366402	6366402	6366402	6366402	1
6	Support Plate	6366375	6366375	6366375	6366376	6366376	6366376	6366376	6366376	1
7	Wheel	6366386	6366393	6366463	6366465	53J569	53J569	53J569	6366465	1
8	Birdscreen	4YY78	4YY78	4YY78	4YY79	4YY79	4YY79	4YY79	4YY79	1

Reference Number	Description	Part Number For Models:								Qty.
		3ATU3	3ATU4	3ATU5	3ATU6	3ATU7	3ATU8	3ATU9	3ATV1	
1	Cover	6366366	6366367	6366367	6366367	6366367	6366367	6366363	6366363	1
2	Hood Assembly	6366407	6366486	6366486	6366486	6366486	6366486	6366488	6366488	1
3	Drive Package	—	—	—	—	—	—	—	—	—
	Motor	4YU38	4YU35	4YU31	4YU39	4YU30	4YU40	4YU31	6XWJ0	1
	Driver Sheave	3X438	3X276	3X276	3X276	3X264	3X438	3X264	3X946	1
	Belt	6A139	4L310	3X697	3X697	6A140	6A141	6A142	6A145	1
	Driven Sheave	3X591	4HZ83	3X589	3X589	4HZ83	4HZ83	4HZ85	3X600	1
	Driver Bushing	3X573	3X573	3X573	3X573	3X573	3X573	3X576	3X576	1
4	Drive Frame Assembly	6366401	6366487	6366487	6366487	6366487	6366487	6366489	6366489	1
5	Isolator Kit	6366402	6366406	6366406	6366406	6366406	6366406	6366406	6366406	1
6	Support Plate	6366376	6366374	6366374	6366374	6366374	6366374	6366448	6366448	1
7	Wheel	6366465	6366461	6366461	6366461	6366462	6366462	6366464	6366464	1
8	Birdscreen	4YY79	4YY80	4YY80	4YY80	4YY80	4YY80	4YY81	4YY81	1

Reference Number	Description	Part Number For Models:						Qty.
		3ATV2	3GY73G	3GY74G	5PV06H	5PV07G	5PV08G	
1	Cover	6366431	6366363	6366431	6366366	6366367	6366367	1
2	Hood Assembly	6366490	6366488	6366490	6366399	6366486	6366486	1
3	Drive Package	—	—	—	—	—	—	—
	Motor	53J909	4YU40	6XWJ0	4YU35	4YU30	4YU31	1
	Driver Sheave	2L486	3X264	3X945	3X263	3X264	3X264	1
	Belt	6X875	6A116	3X471	3VU40	6A139	6A139	1
	Driven Sheave	3X607	3X795	3X604	3X775	3X789	3X791	1
	Driver Bushing	3X576	—	—	—	—	—	1
4	Drive Frame Assembly	6366491	6366489	6366491	6366401	6366487	6366487	1
5	Isolator Kit	6366408	6366406	6366408	6366402	6366406	6366406	1
6	Support Plate	6366449	6366448	6366449	6366376	6366374	6366374	1
7	Wheel	6366481	6366464	6366481	53J569	6366461	6366462	1
8	Birdscreen	4YY82	4YY81	4YY82	4YY79	4YY80	4YY80	1

Dayton® Centrifugal Belt-Drive Upblast Exhaust Ventilators

Trouble Shooting Chart

Symptom	Possible Cause(s)	Corrective Action
Ventilator Inoperative	<ol style="list-style-type: none"> 1. Blown fuse or breaker 2. Defective motor 3. Incorrectly wired 4. Broken belts 	<ol style="list-style-type: none"> 1. Replace or repair 2. Replace or repair 3. Shut power OFF and check wiring for proper connections 4. Replace
Insufficient airflow	<ol style="list-style-type: none"> 1. Blocked duct or clogged filters 2. Speed too slow 3. Damper closed 4. Belt slippage 5. Incorrect wheel rotation 6. Loose fitting duct sections permitting air loss 	<ol style="list-style-type: none"> 1. Clean or replace 2. Check for correct drives 3. Inspect/repair 4. Replace/adjust tension 5. Check motor wiring 6. Check for secure connection where duct sections are joined (suggest duct tape at seams for sealed closure)
Excessive noise or vibration	<ol style="list-style-type: none"> 1. Belt(s) too loose/tight 2. Loose or defective bearings 3. Loose wheel or sheaves 4. Accumulation of material on wheel 5. Mis-aligned sheaves 6. Ventilator base not securely anchored 7. Motor hood loose and rattling 8. Fan wheel out of balance 	<ol style="list-style-type: none"> 1. Adjust tension 2. Replace bearings 3. Tighten set screws 4. Clean 5. Re-align 6. Secure properly 7. Tighten acorn nuts securing motor hood 8. Replace wheel
Motor overloads or overheats	<ol style="list-style-type: none"> 1. Wheel RPM too high 2. Shorted motor winding 3. Incorrect wheel rotation 4. Over/Under line voltage 5. Belt slippage 	<ol style="list-style-type: none"> 1. Check drives 2. Replace motor 3. Check motor wiring 4. Contact Power Co. 5. Tighten belt

LIMITED WARRANTY

DAYTON ONE-YEAR LIMITED WARRANTY. DAYTON® CENTRIFUGAL BELT-DRIVE UPBLAST EXHAUST VENTILATORS, MODELS COVERED IN THIS MANUAL, ARE WARRANTED BY DAYTON ELECTRIC MFG. CO. (DAYTON) TO THE ORIGINAL USER AGAINST DEFECTS IN WORKMANSHIP OR MATERIALS UNDER NORMAL USE FOR ONE YEAR AFTER DATE OF PURCHASE. ANY PART WHICH IS DETERMINED TO BE DEFECTIVE IN MATERIAL OR WORKMANSHIP AND RETURNED TO AN AUTHORIZED SERVICE LOCATION, AS DAYTON DESIGNATES, SHIPPING COSTS PREPAID, WILL BE, AS THE EXCLUSIVE REMEDY, REPAIRED OR REPLACED AT DAYTON'S OPTION. FOR LIMITED WARRANTY CLAIM PROCEDURES, SEE "PROMPT DISPOSITION" BELOW. THIS LIMITED WARRANTY GIVES PURCHASERS SPECIFIC LEGAL RIGHTS WHICH VARY FROM JURISDICTION TO JURISDICTION.

LIMITATION OF LIABILITY. TO THE EXTENT ALLOWABLE UNDER APPLICABLE LAW, DAYTON'S LIABILITY FOR CONSEQUENTIAL AND INCIDENTAL DAMAGES IS EXPRESSLY DISCLAIMED. DAYTON'S LIABILITY IN ALL EVENTS IS LIMITED TO AND SHALL NOT EXCEED THE PURCHASE PRICE PAID.

WARRANTY DISCLAIMER. A DILIGENT EFFORT HAS BEEN MADE TO PROVIDE PRODUCT INFORMATION AND ILLUSTRATE THE PRODUCTS IN THIS LITERATURE ACCURATELY; HOWEVER, SUCH INFORMATION AND ILLUSTRATIONS ARE FOR THE SOLE PURPOSE OF IDENTIFICATION, AND DO NOT EXPRESS OR IMPLY A WARRANTY THAT THE PRODUCTS ARE MERCHANTABILITY, OR FIT FOR A PARTICULAR PURPOSE, OR THAT THE PRODUCTS WILL NECESSARILY CONFORM TO THE ILLUSTRATIONS OR DESCRIPTIONS. EXCEPT AS PROVIDED BELOW, NO WARRANTY OR AFFIRMATION OF FACT, EXPRESSED OR IMPLIED, OTHER THAN AS STATED IN THE "LIMITED WARRANTY" ABOVE IS MADE OR AUTHORIZED BY DAYTON.

Technical Advice and Recommendations, Disclaimer. Notwithstanding any past practice or dealings or trade custom, sales shall not include the furnishing of technical advice or assistance or system design. Dayton assumes no obligations or liability on account of any unauthorized recommendations, opinions or advice as to the choice, installation or use of products.

Product Suitability. Many jurisdictions have codes and regulations governing sales, construction, installation, and/or use of products for certain purposes, which may vary from those in neighboring areas. While attempts are made to assure that Dayton products comply with such codes, Dayton cannot guarantee compliance, and cannot be responsible for how the product is installed or used. Before purchase and use of a product, review the product applications, and all applicable national and local codes and regulations, and be sure that the product, installation, and use will comply with them.

Certain aspects of disclaimers are not applicable to consumer products; e.g., (a) some jurisdictions do not allow the exclusion or limitation of incidental or consequential damages, so the above limitation or exclusion may not apply to you; (b) also, some jurisdictions do not allow a limitation on how long an implied warranty lasts, consequently the above limitation may not apply to you; and (c) by law, during the period of this Limited Warranty, any implied warranties of implied merchantability or fitness for a particular purpose applicable to consumer products purchased by consumers, may not be excluded or otherwise disclaimed.

Prompt Disposition. A good faith effort will be made for prompt correction or other adjustment with respect to any product which proves to be defective within limited warranty. For any product believed to be defective within limited warranty, first write or call dealer from whom the product was purchased. Dealer will give additional directions. If unable to resolve satisfactorily, write to Dayton at address below, giving dealer's name, address, date, and number of dealer's invoice, and describing the nature of the defect. Title and risk of loss pass to buyer on delivery to common carrier. If product was damaged in transit to you, file claim with carrier.

Manufactured for Dayton Electric Mfg. Co., 5959 W. Howard St., Niles, Illinois 60714-4014 U.S.A.

Manufactured for Dayton Electric Mfg. Co.
Niles, Illinois 60714 U.S.A.

Dayton®

Por favor lea y guarde estas instrucciones. Léalas cuidadosamente antes de tratar de montar, instalar, operar o dar mantenimiento al producto aquí descrito. Protéjase usted mismo y a los demás observando toda la información de seguridad. ¡El no cumplir con las instrucciones puede ocasionar daños, tanto personales como a la propiedad! Guarde estas instrucciones para referencia en el futuro.

Extractores Centrífugos de Transmisión por Correa de Tiro Hacia Arriba Dayton®

Descripción

Los ventiladores Dayton están diseñados para un funcionamiento continuo para extraer aire contaminado, gases, olores, y vapores cargados de grasa provenientes de campanas de cocina, aparatos de cocinas comerciales y aplicaciones de ventilación industriales o institucionales. Los ventiladores pueden soportar temperaturas de hasta 149° C (300° F). Los ventiladores resistentes a las inclemencias del tiempo cuentan con una base de montaje fija de aluminio moldeado por centrifugación, una base de motor y soportes de metal galvanizado. Los ventiladores (excepto 6KWJ9 y 6KWK0 a 6KWK3) aparecen en las listas UL/cUL con la norma 705 y en las listas UL/cUL Tema 762 (YZHW) y cumplen los estándares de la norma NFPA 96 para operaciones de control de ventilación y protección contra incendios de cocinas comerciales. Los motores se montan fuera del flujo de descarga en una cámara de frío positivo alimentada por aire exterior que se aspira a través de un respiradero.

Las unidades de Alta Presión están diseñadas para aplicaciones que tienen una alta resistencia para extraer aire contaminado en aplicaciones industriales y comerciales, directamente desde la superficie del techo. Se usan típicamente para redes de conductos largos o de resistencia alta con volumen promedio y alta presión.

Si se usan con motores a prueba de explosiones, los ventiladores 6KWJ9 y 6KWK0 a 6KWK3 se pueden usar para extraer partículas o gases potencialmente inflamables. Los ventiladores cuentan con una rueda de aluminio resistente a las chispas y anillos de roca para los lugares peligrosos.

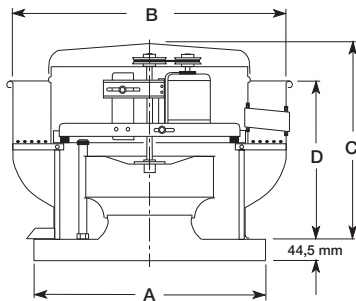


Figura 1 — Dimensiones



Dayton Electric Mfg. Co. certifica que los ventiladores que aquí se muestran tienen licencia para llevar el sello AMCA. Los niveles que se muestran se basan en pruebas y procedimientos realizados según la Publicación 211 y 311 de AMCA y cumplen los requisitos del Programa Certified Ratings de AMCA.

Accesorios Opcionales

Descripción	General o UL 705 N° de Modelo
Interruptor de Desconexión NEMA 1:	
	1H400 (bipolar, 2 HP máx.)
	1H401 (tripolar, 7½ HP máx.)
Cortafuegos:	4HX64-4HX70
Base de Montaje Fija de Techo de 30,5 cm:	2RB75-2RB77, 2RB79-2RB82
Base de Montaje de Techo Adyacente de 30,5 cm:	2ZV82-2ZV85
Adaptador para Base de Montaje de Techo:	3AZK1-3AZK9, 3AZL1-3AZL3
Filtro para Pájaros:	4YY78-4YY83

Descripción	Cocina o UL 762 N° de Modelo
Interruptor de Desconexión NEMA 4:	
	1H408 (bipolar, 2 HP máx.)
	1H409 (tripolar, 7½ HP máx.)
Caja Colectora de Grasa:	1RL34, 4HX78
Juego de Bisagras:	4HX79, 4YY84-4YY86
Juego de Orificio de Limpieza:	3ATV9
Base de Montaje Fija de Techo Ventilada de 45,7 a 60,9 cm:	4HX54-4HX60
Base de Montaje de Techo Ventilada Adyacente 45,7 a 60,9 cm:	4HX61-4HX63

ADVERTENCIA No utilice un cortafuegos en ninguna aplicación de extracción para cocinas.

Dimensiones y Especificaciones (Consulte la Figura 1)

Modelo sin Paquete de Accionamiento	Modelo con Paquete de Accionamiento Ensamblado	Diám. de la Rueda	Diám. del Eje	A	B	C	D	Recomendado Abertura en Techo	Tamaño del Cortafuegos
4YY13	1MBE6	27,9 cm	19,1 mm	48,3 cm	70,8 cm	63,8 cm	44,1 cm	36,8 x 36,8 cm	30,5 x 30,5 cm
4YY14, 2RB65, 6KWJ9	1MBE7	28,6	19,1	55,9	70,8	63,8	44,1	44,5 x 44,5	38,1 x 38,1
5DVL4	—	31,8	19,1	55,9	70,8	63,8	44,1	44,5 x 44,5	38,1 x 38,1
4YY15, 6KWK0	1MBE8	33,7	19,1	55,9	70,8	63,8	44,1	44,5 x 44,5	38,1 x 38,1
4YY16A, 2RB66, 6KWK1	5PV06H, 3ATT8A, 3ATT9A, 3ATU1A	37,5	19,1	66,0	73,3	67,0	49,2	54,6 x 54,6	48,3 x 48,3
4YY17, 1MBF1, 6KWK2	1MBE9, 3ATU2, 3ATU3	41,9	19,1	66,0	73,3	67,0	49,2	54,6 x 54,6	48,3 x 48,3
4YY18, 6KWK3	5PV07G, 3ATU4, 3ATU5, 3ATU6	47,0	19,1	76,2	89,9	88,3	21,0	64,8 x 64,8	58,4 x 58,4
4YY19, 1MBF2	5PV08G, 3ATU7, 3ATU8	54,0	19,1	76,2	89,9	88,3	21,0	64,8 x 64,8	58,4 x 58,4
4YY20	3GY73G, 3ATU9, 3ATV1	62,2	25,4	86,4	108,6	100,3	64,8	74,9 x 74,9	68,6 x 68,6
4YY21	3GY74G, 3ATV2	77,5	25,4	106,7	127,0	101,6	74,3	95,3 x 95,3	88,9 x 88,9
4YY22	—	91,4	31,8	116,8	148,9	113,3	74,8	105,4 x 105,4	99,1 x 99,1

Extractores Centrífugos de Transmisión por Correa de Tiro Hacia Arriba Dayton®

Rendimiento sin el Paquete de Accionamiento

Modelo	Diám. de la Rueda	RPM del Ventilador	HP	BHP Máx.	Sonios a 0,250" SP a 5 pies	Suministro de Aire en CFM a la Presión Estática que se Muestra									
						0,000"	0,125"	0,250"	0,375"	0,500"	0,750"	1,00"	1,25"	1,50"	1,75"
4YY13	27,9 cm	1140	1/6	0,06	8,3	780	656	502	294	—	—	—	—	—	—
		1725	1/4	0,20	13,0	1180	1094	1017	929	824	586	—	—	—	—
4YY14, 6KWJ9‡	28,6	1660	1/4	0,26	12,0	1413	1365	1313	1251	1189	1056	861	—	—	—
		1820	1/3	0,35	13,4	1549	1505	1459	1406	1350	1234	1106	900	—	—
5DVL4	31,8	1410	1/4	0,26	12,2	1665	1595	1528	1463	1398	1224	968	—	—	—
		1545	1/3	0,35	14,0	1824	1760	1699	1639	1580	1441	1262	990	—	—
		1725	1/2	0,48	16,7	2037	1979	1923	1869	1816	1710	1571	1406	1176	—
4YY15, 6KWK0‡	33,7	1305	1/4	0,26	13,9	1790	1709	1629	1547	1458	1201	—	—	—	—
		1435	1/3	0,35	15,1	1968	1895	1822	1749	1671	1479	1198	—	—	—
		1645	1/2	0,52	17,4	2256	2192	2128	2065	2001	1864	1684	1455	—	—
4YY16A, 6KWK1‡	37,5	1105	1/4	0,26	10,6	2001	1906	1793	1667	1515	998	—	—	—	—
		1210	1/3	0,34	11,7	2192	2106	2006	1896	1773	1443	—	—	—	—
		1390	1/2	0,52	14,2	2518	2445	2362	2271	2174	1949	1643	—	—	—
		1595	3/4	0,79	18,5	2889	2826	2757	2683	2602	2430	2225	1968	1568	—
		1725	1	1,00	22	3125	3066	3005	2936	2865	2711	2539	2339	2085	1704
4YY17, 6KWK2‡	41,9	875	1/4	0,26	10,1	2515	2362	2177	1974	1744	—	—	—	—	—
		965	1/3	0,35	11,5	2774	2637	2477	2300	2109	1584	—	—	—	—
		1110	1/2	0,54	14,2	3191	3072	2941	2796	2641	2297	1770	—	—	—
		1265	3/4	0,79	17,7	3636	3532	3426	3301	3172	2894	2583	2163	—	—
		1390	1	1,05	21	3996	3901	3806	3698	3584	3340	3078	2785	2394	—
4YY18, 6KWK3‡	47,0	745	1/4	0,26	8,1	2815	2617	2448	2143	1763	—	—	—	—	—
		820	1/3	0,34	10,1	3098	2916	2759	2525	2257	—	—	—	—	—
		940	1/2	0,52	13,1	3551	3389	3243	3115	2879	2363	—	—	—	—
		1075	3/4	0,78	15,8	4061	3919	3786	3666	3554	3141	2652	—	—	—
		1185	1	1,04	17,1	4477	4348	4224	4108	4005	3703	3336	2841	—	—
		1360	1½	1,58	22	5138	5026	4913	4811	4710	4532	4232	3912	3537	3023
		1495	2	2,10	27	5648	5546	5443	5345	5254	5082	4921	4598	4313	3983
4YY19	54,0	605	1/4	0,26	6,7	3403	3054	2675	2144	—	—	—	—	—	—
		665	1/3	0,35	8,1	3740	3422	3096	2699	2073	—	—	—	—	—
		760	1/2	0,52	10,9	4275	3994	3718	3413	3048	—	—	—	—	—
		875	3/4	0,79	15,2	4922	4676	4439	4192	3922	3240	—	—	—	—
		960	1	1,04	17,7	5400	5176	4958	4742	4508	3985	3169	—	—	—
		1100	1½	1,57	23	6187	5992	5798	5610	5421	5006	4529	3861	—	—
4YY20	62,2	1210	2	2,10	23	6806	6628	6451	6279	6108	5748	5350	4892	4289	3365
		465	1/4	0,26	6,3	4216	3768	3188	2162	—	—	—	—	—	—
		510	1/3	0,34	7,3	4623	4243	3717	3134	—	—	—	—	—	—
		585	1/2	0,52	9,5	5303	4961	4540	4093	3565	—	—	—	—	—
		670	3/4	0,79	12,8	6074	5763	5461	5052	4659	3524	—	—	—	—
		735	1	1,04	15,5	6663	6370	6133	5764	5409	4618	—	—	—	—
		845	1½	1,57	18,6	7660	7400	7184	6947	6615	6002	5282	—	—	—
		930	2	2,10	23	8431	8194	7985	7798	7536	6953	6375	5706	4324	—
		1050	3	3,00	31	9519	9309	9107	8941	8775	8267	7766	7253	6672	6005

(‡) Ventilador para uso con motor a prueba de explosiones en lugares peligrosos. El rendimiento certificado es para instalaciones de tipo A: entrada y salida libre. La potencia nominal (BHP) no incluye las pérdidas de transmisión. El rendimiento efectivo no incluye los efectos de aditamentos (accesorios). El nivel de ruido que se muestra corresponde a valores de intensidad sonora en sonios del ventilador a 1,5 m (5 pies) de distancia en un campo hemisférico libre según la norma 301 de AMCA. Los valores que se muestran son para instalaciones de tipo A: Niveles de sonios hemisféricos de entrada libre.

Modelos 1MBF1, 1MBF2, 1MBE6 a 1MBE9, 2RB65, 2RB66, 3ATT8A, 3ATT9A, 3ATU1A, 3ATU2 a 3ATU9, 3ATV1, 3ATV2, 3GY73G, 3GY74G, 4YY13 a 4YY15, 4YY16A, 4YY17 a 4YY22, 5DVL4, 5PV06H, 5PV07G, 5PV08G, 6KWJ9, 6KWK0 a 6KWK3

Rendimiento sin el Paquete de Accionamiento (Continuación)

Modelo	Diám. de la Rueda	RPM del Ventilador	HP	BHP Máx.	Sonios a 0,250" SP a 5 pies	Suministro de Aire en CFM a la Presión Estática que se Muestra									
						0,000"	0,125"	0,250"	0,375"	0,500"	0,750"	1,00"	1,25"	1,50"	1,75"
4YY21	77,5 cm	365	1/3	0,34	5,7	5940	5316	4464	—	—	—	—	—	—	—
		420	1/2	0,52	7,5	6835	6314	5660	4820	—	—	—	—	—	—
		480	3/4	0,77	9,9	7811	7377	6844	6231	5440	—	—	—	—	—
		530	1	1,05	12,2	8625	8231	7772	7245	6636	—	—	—	—	—
		605	1½	1,55	15,7	9845	9501	9127	8705	8226	7084	—	—	—	—
		665	2	2,07	18,6	10.822	10.508	10.193	9808	9411	8495	7271	—	—	—
		765	3	3,15	23	12.449	12.176	11.904	11.607	11.273	10.554	9743	8756	7352	—
		905	5	5,21	32	14.727	14.497	14.266	14.036	13.788	13.223	12.614	11.963	11.191	10.357
4YY22	91,4	320	1/2	0,52	6,0	8631	7820	6755	5256	—	—	—	—	—	
		365	3/4	0,78	8,5	9845	9142	8299	7286	5767	—	—	—	—	
		400	1	1,02	11,1	10.789	10.153	9426	8556	7575	—	—	—	—	
		460	1½	1,55	15,8	12.408	11.862	11.281	10.587	9814	7809	—	—	—	
		505	2	2,06	19,8	13.621	13.125	12.602	12.022	11.359	9878	—	—	—	
		580	3	3,13	23	15.644	15.212	14.769	14.306	13.783	12.597	11.287	9381	—	
		690	5	5,26	28	18.611	18.248	17.884	17.504	17.115	16.236	15.243	14.187	12.985	11.290

El rendimiento certificado es para instalaciones de tipo A: entrada y salida libre. La potencia nominal (BHP) no incluye las pérdidas de transmisión. El rendimiento efectivo no incluye los efectos de aditamentos (accesorios). El nivel de ruido que se muestra corresponde a valores de intensidad sonora en sonios del ventilador a 1,5 m (5 pies) de distancia en un campo hemisférico libre según la norma 301 de AMCA. Los valores que se muestran son para instalaciones tipo A: Niveles de sonios hemisféricos de entrada libre.

Rendimiento sin el Paquete de Accionamiento a Alta Presión

Modelo	Diám. de la Rueda	RPM del Ventilador	HP	BHP Máx.	Sonios a 0,500" SP a 5 pies	Suministro de Aire en CFM a la Presión Estática que se Muestra								
						0,500"	0,750"	1,00"	1,25"	1,50"	1,75"	2,00"	2,25"	2,50"
2RB65	28,6 cm	2045	1/4	0,26	13,9	761	693	615	522	346	—	—	—	—
		2250	1/3	0,35	14,4	860	804	737	665	579	456	—	—	—
		2580	1/2	0,53	16,8	1014	969	919	861	799	735	655	550	323
2RB65	37,5	1465	1/4	0,26	14,2	1016	920	798	642	—	—	—	—	
		1605	1/3	0,34	15,2	1146	1063	965	846	704	—	—	—	
		1845	1/2	0,52	17,0	1363	1292	1219	1137	1042	924	800	—	
		2110	3/4	0,78	19,8	1592	1536	1473	1409	1341	1262	1178	1073	965
1MBF1	41,9	1065	1/4	0,26	11,0	1487	1252	—	—	—	—	—	—	
		1165	1/3	0,34	12,8	1697	1504	1252	—	—	—	—	—	
		1340	1/2	0,52	14,4	2053	1897	1724	1513	—	—	—	—	
		1535	3/4	0,74	18,1	2433	2301	2165	2015	1855	1638	—	—	
		1690	1	1,05	21	2722	2611	2488	2365	2228	2082	1899	1664	—
1MBF2	54,0	880	1/2	0,52	10,5	2779	2317	—	—	—	—	—	—	
		1010	3/4	0,79	14,5	3397	3067	2637	—	—	—	—	—	
		1110	1	1,04	16,9	3851	3561	3242	2806	—	—	—	—	
		1270	1½	1,56	22	4558	4312	4055	3789	3433	2944	—	—	
		1400	2	2,09	24	5110	4898	4674	4436	4195	3880	3515	—	
		1600	3	3,13	29	5943	5775	5581	5385	5182	4971	4760	4476	4189

El rendimiento certificado es para instalaciones de tipo A: entrada y salida libre. La potencia nominal (BHP) no incluye las pérdidas de transmisión. El rendimiento efectivo no incluye los efectos de aditamentos (accesorios). El nivel de ruido que se muestra corresponde a valores de intensidad sonora en sonios del ventilador a 1,5 m (5 pies) de distancia en un campo hemisférico libre según la norma 301 de AMCA. Los valores que se muestran son para instalaciones tipo A: Niveles de sonios hemisféricos de entrada libre.

Extractores Centrífugos de Transmisión por Correa de Tiro Hacia Arriba Dayton®

Rendimiento con el Paquete de Accionamiento, Ensamblado

Modelo	Diám. de la Rueda	RPM del Ventilador	HP	BHP Máx.	Sonios a 0,250" SP a 5 pies	Suministro de Aire en CFM a la Presión Estática que se Muestra									
						0,000"	0,125"	0,250"	0,375"	0,500"	0,750"	1,00"	1,25"	1,50"	1,75"
MONOFÁSICO, 115/208-230															
1MBE6	27,9 cm	1725	1/4	0,20	13,0	1180	1094	1017	929	824	586	—	—	—	—
1MBE7	28,6	1820	1/3	0,35	13,4	1549	1505	1459	1406	1350	1234	1106	900	—	—
1MBE8	33,7	1645	1/2	0,52	17,4	2256	2192	2128	2065	2001	1864	1684	1455	—	—
3ATT8A	37,5	1390	1/2	0,52	14,2	2518	2445	2362	2271	2174	1949	1643	—	—	—
5PV06H	37,5	1595	3/4	0,79	18,5	2889	2826	2757	2683	2602	2430	2225	1968	1568	1568
3ATT9A	37,5	1725	1	1,00	22	3125	3066	3005	2936	2865	2711	2539	2339	2085	1704
3ATU2	41,9	1265	3/4	0,79	17,7	3636	3532	3426	3301	3172	2894	2583	2163	—	—
1MBE9	41,9	1390	1	1,05	21	3996	3901	3806	3698	3584	3340	3078	2785	2394	—
3ATU4	47,0	1075	3/4	0,78	15,8	4061	3919	3786	3666	3554	3141	2652	—	—	—
5PV07G	47,0	1185	1	1,04	17,1	4477	4348	4224	4108	4005	3703	3336	2841	—	—
3ATU5	47,0	1360	1½	1,58	22	5138	5026	4913	4811	4710	4532	4232	3912	3537	3023
3ATU7	54,0	960	1	1,04	17,7	5400	5176	4958	4742	4508	3985	3169	—	—	—
5PV08G	54,0	1100	1½	1,57	23	6187	5992	5798	5610	5421	5006	4529	3861	—	—
3ATU9	62,2	845	1½	1,57	18,6	7660	7400	7184	6947	6615	6002	5282	—	—	—
TRIFÁSICO, 208-230/460															
3ATU1A	37,5 cm	1725	1	1,00	22	3125	3066	3005	2936	2865	2711	2539	2339	2085	1704
3ATU3	41,9	1390	1	1,05	21	3996	3901	3806	3698	3584	3340	3078	2785	2394	—
3ATU6	47,0	1360	1½	1,58	22	5138	5026	4913	4811	4710	4532	4232	3912	3537	3023
3ATU8	54,0	1210	2	2,10	23	6806	6628	6451	6279	6108	5748	5350	4892	4289	3365
3GY73G	62,2	930	2	2,10	23	8431	8194	7985	7798	7536	6953	6375	5706	4324	4324
3ATV1	62,2	1050	3	3,00	31	9519	9309	9107	8941	8775	8267	7766	7253	6672	6005
3GY74G	77,5	765	3	3,15	23	12.449	12.176	11.904	11.607	11.273	10.554	9743	8756	7352	7352
3ATV2	77,5	905	5	5,21	32	14.727	14.497	14.266	14.036	13.788	13.223	12.614	11.963	11.191	10.357

El rendimiento certificado es para instalaciones de tipo A: entrada y salida libre. La potencia nominal (BHP) no incluye las pérdidas de transmisión. El rendimiento efectivo no incluye los efectos de aditamentos (accesorios). El nivel de ruido que se muestra corresponde a valores de intensidad sonora en sonios del ventilador a 1,5 m (5 pies) de distancia en un campo hemisférico libre según la norma 301 de AMCA. Los valores que se muestran son para instalaciones tipo A: Niveles de sonios hemisféricos de entrada libre.

Desembalaje

1. Revise si existen daños que se puedan haber producido durante el transporte.
2. Se debe presentar una queja por daños de transporte a la empresa de transporte.
3. Compruebe que ninguno de los pernos, tornillos o tornillos de fijación se haya soltado durante el transporte. Vuelva a apretarlos según sea necesario. Gire la rueda con la mano para asegurarse de que gire libremente.

Información de Seguridad General

⚠ PELIGRO No dependa de ningún interruptor como el único medio para desconectar la energía al momento de instalar o de realizar mantenimiento al ventilador. Siempre desconecte, bloquee y etiquete la fuente de energía antes de instalar o realizar mantenimiento. Si no se desconecta la fuente de energía se puede provocar un incendio, descargas eléctricas o lesiones graves. El motor volverá a arrancar sin advertencia después de que se active el protector térmico. No toque el motor mientras está en funcionamiento, podría estar lo suficientemente caliente para provocar lesiones.

⚠ PELIGRO No coloque partes del cuerpo ni objetos en el ventilador o en los orificios o transmisiones del motor mientras éste se encuentre conectado a la fuente de energía.

⚠ ADVERTENCIA ¡No use este equipo en atmósferas explosivas!

1. Lea y siga todas las instrucciones y marcas de precaución. Asegúrese de que la fuente de energía eléctrica cumpla los requisitos del equipo y los códigos locales.

Modelos 1MBF1, 1MBF2, 1MBE6 a 1MBE9, 2RB65, 2RB66, 3ATT8A, 3ATT9A, 3ATU1A, 3ATU2 a 3ATU9, 3ATV1, 3ATV2, 3GY73G, 3GY74G, 4YY13 a 4YY15, 4YY16A, 4YY17 a 4YY22, 5DVL4, 5PV06H, 5PV07G, 5PV08G, 6KWJ9, 6KWK0 a 6KWK3

Información de Seguridad General (Continuación)

- Un técnico calificado debe realizar el montaje, la instalación y el mantenimiento. Un electricista calificado debe realizar todo el trabajo eléctrico.
- Respete todos los códigos eléctricos y de seguridad locales de los Estados Unidos y Canadá, además del National Electrical Code (NEC), la Ley de Seguridad y Salud Ocupacionales (OSHA, por sus siglas en inglés), y el Boletín 96 de la Asociación Nacional de Protección contra Incendios (NFFPA, por sus siglas en inglés) en los Estados Unidos. Conecte el motor a tierra de acuerdo con el Artículo 250 de NEC (conexión a tierra). Respete Canadian Electric Code (CEC, por sus siglas en inglés) en Canadá.

PRECAUCIÓN Para reducir el riesgo de lesiones a personas, observe lo siguiente:

OSHA exige protectores que cumplan la norma de OSHA cuando el ventilador se instale a 2,1 metros (7 pies) del piso o al nivel de trabajo.

Las normas UL/CUL exigen protectores que cumplan la norma de OSHA cuando el ventilador se instale a 2,5 metros (8 pies) del piso o al nivel de trabajo.

- No enrosque el cable de alimentación ni permita que entre en contacto con objetos filosos aceite, grasa, superficies calientes ni productos químicos. Reemplace inmediatamente los cables dañados.
- Asegúrese de que la fuente de energía esté en conformidad con los requisitos del equipo.
- Nunca abra la puerta de acceso a un conducto con el ventilador en funcionamiento.
- El motor debe estar conectado a tierra de manera segura y fija. Logre esto cableando con un sistema de canal de conducción blindado conectado a tierra por medio de un cable de conexión a tierra aparte conectado a la parte metálica desnuda del bastidor del motor u otro medio apropiado.

Instalación

ADVERTENCIA La instalación, la solución de problemas y el reemplazo de piezas sólo lo debe realizar personal calificado. Consulte y siga las recomendaciones de NFFPA 96. Las instrucciones de NFFPA 96 sustituyen este documento.

PRECAUCIÓN No levante el ventilador por su abrazadera de izada; use una eslinga o plataforma.

MONTAJE EN EL TECHO

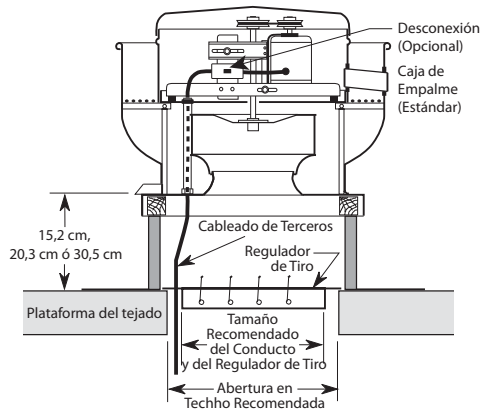


Figura 2 — Montaje en Techo Típico

NOTA: Monte la unidad con una base de montaje fija Dayton (se compra por separado).

- Perfore un orificio de tamaño adecuado en la superficie del techo. Siga las instrucciones de instalación del fabricante de la base de montaje fija. Calafatee y rebabe la base de montaje fija para asegurarse de que exista un sello hermético.
- Instale un regulador de contratiro opcional. Fije el reborde del amortiguador a la bandeja del amortiguador de la base de montaje fija, con los sujetadores proporcionados.
- Retire la cubierta del motor.
- Use orejetas para izar en el bastidor motriz para levantar y colocar la unidad encima de la base de montaje fija. Consulte la Figura 3.

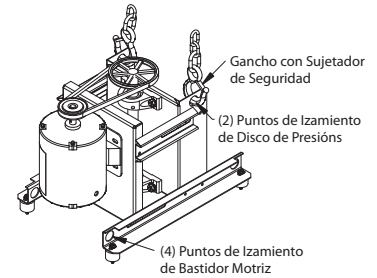


Figura 3 — Orejetas para Izar

- Fije el ventilador a la base de montaje fija de techo con un mínimo de ocho sujetadores.
- Compruebe que la rueda del ventilador gire libremente.
- Compruebe que estén apretados todos los sujetadores.
- Monte y conecte el interruptor de desconexión segura que se encuentra debajo de la cubierta del ventilador y conecte el motor según el diagrama de cableado de conexión. Consulte Conexión eléctrica, Figura 8. Conecte los interruptores de control a nivel de suelo.
- Vuelva a colocar la cubierta del motor.
- Se proporciona una cubeta de drenaje en todos los ventiladores de tiro hacia arriba para montaje en techo Dayton. Deberá proporcionarse un colector para la grasa y residuos.

UL 762 COCINAS COMERCIALES

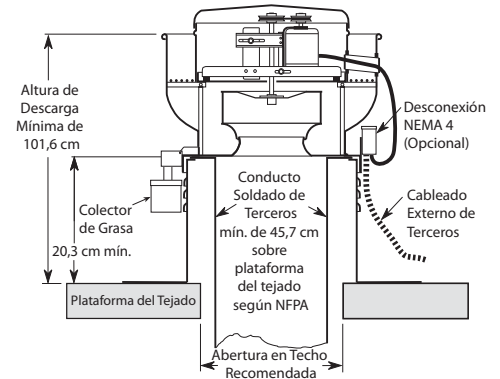


Figura 4 — Montaje en Techo de Cocina

ESPAÑOL

Extractores Centrífugos de Transmisión por Correa de Tiro Hacia Arriba Dayton®

Instalación (Continuación)

1. Instale según los requisitos de NFPA 96 para aparatos de extracción en restaurantes.
2. Use la caja colectora de grasa, el conjunto de bisagra y la caja de empalme externa opcionales.

ADVERTENCIA No utilice un cortafuegos en ninguna aplicación de extracción para cocinas.

3. El tamaño del conducto debe ser igual o más grande que la abertura de entrada. Algunos códigos locales requieren una soldadura continua entre el conducto y la entrada. Mantenga despejado el tubo de enfriamiento del motor.

MONTAJE DE MOTOR Y DE POLEA

NOTA: Para las unidades que aparezcan en la lista de UL, el motor que se use con este ventilador lo debe designar como tal Dayton.

1. Fije el motor a la placa con la ayuda de las piezas metálicas que se proporcionan. Los orificios se alinearán cuando el bastidor del motor (extremo del eje) esté a nivel con el borde de la placa del motor.

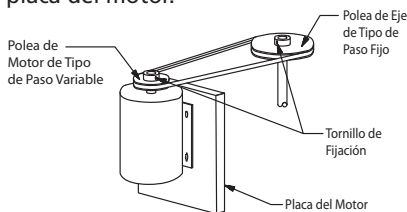


Figura 5 — Diagrama del Paquete de Accionamiento

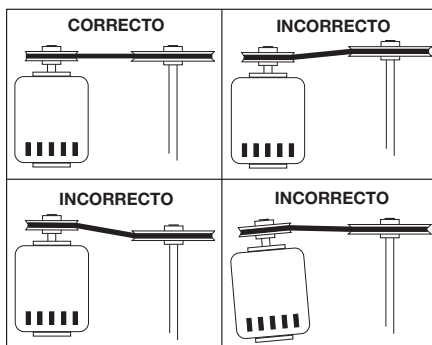


Figura 6 — Alineación de las Poleas

2. Monte las poleas en los ejes fijando el eje con el tornillo de fijación. Verifique la correcta alineación de las poleas. Las poleas mal alineadas conducen a un desgaste excesivo de la correa, vibraciones, ruidos y pérdida del ventilador.
3. Instale la correa y ajuste la tensión para permitir una deflexión de 0,4 mm por 25,4 mm de abertura al aplicar a la correa una presión moderada con el pulgar. Demasiada tensión provocará un desgaste excesivo de los rodamientos y ruido. Una tensión muy leve provocará deslizamiento en el arranque y un desgaste irregular.

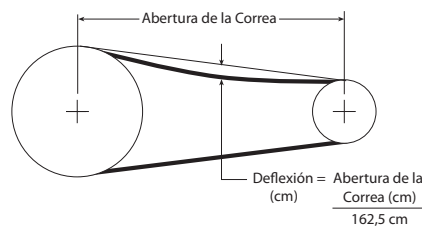


Figura 7 — Tensión de la Correa

4. Ajuste las RPM al nivel deseado utilizando una polea de paso variable. Después del ajuste, se debe verificar el amperaje del motor para evitar su sobrecarga.

CONEXIÓN ELÉCTRICA

NOTA: Consulte la placa de identificación del motor para ver los procedimientos de cableado. Consulte al fabricante del interruptor para obtener los procedimientos de instalación y cableado.

NOTA: Los ventiladores aspirantes que se usen en aplicaciones de ventilación para cocinas deben tener un cableado externo.

1. El motor y el ventilador deben estar conectados a tierra de manera segura (en metal desnudo) a una conexión eléctrica a tierra adecuada, como una tubería de agua subterránea o un sistema conductor de tierra.

NOTA: Consulte la Figura 8 para conocer el diagrama de cableado.

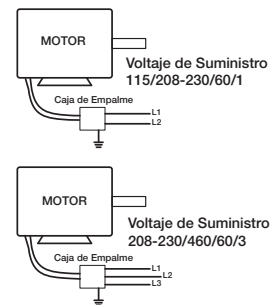


Figura 8 — Diagrama de Cableado Típico

PRECAUCIÓN Instale según los requisitos de NFPA y NEC 70.

Funcionamiento

1. Antes de arrancar u operar el nuevo ventilador Dayton, compruebe que estén apretados todos los sujetadores. En particular, revise los tornillos de fijación en el buje de la rueda (y roldanas, si corresponde). Mientras se encuentre en la posición OFF (apagado), o antes de conectar el ventilador a la energía, gire la rueda del ventilador con la mano para asegurarse de que no entre en contacto con el orificio o cualquier obstáculo.
2. Encienda el ventilador y apáguelo inmediatamente para revisar el giro de la rueda con la flecha direccional en el compartimiento del motor. La rueda del ventilador debe girar en el **sentido de las agujas del reloj** al verse desde la parte superior.
3. Al encenderse el ventilador, observe el funcionamiento y la presencia de cualquier ruido inusual.
4. Con el sistema de funcionamiento completo y toda la red de conductos conectada, mida la entrada de corriente (amperios) hacia el motor y compárela con la de la placa de identificación (amperios a plena carga) para determinar si el motor está funcionando bajo condiciones de cargas seguras.

IMPORTANTE: Ajuste (apriete) la tensión de la correa después de las primeras 48 horas de funcionamiento.

ESPAÑOL

Modelos 1MBF1, 1MBF2, 1MBE6 a 1MBE9, 2RB65, 2RB66, 3ATT8A, 3ATT9A, 3ATU1A, 3ATU2 a 3ATU9, 3ATV1, 3ATV2, 3GY73G, 3GY74G, 4YY13 a 4YY15, 4YY16A, 4YY17 a 4YY22, 5DVL4, 5PV06H, 5PV07G, 5PV08G, 6KWJ9, 6KWK0 a 6KWK3

Mantenimiento

⚠ PRECAUCIÓN *Desconecte y bloquee la fuente de energía antes de realizar mantenimiento.*

⚠ ADVERTENCIA *La limpieza desigual de la rueda producirá una condición fuera de equilibrio que provocará vibraciones en el ventilador.*

1. Mantenga las entradas y las vías de acceso del ventilador limpias y libres de obstrucción.
2. Dependiendo del uso y la densidad del aire contaminado, se debe establecer un programa regular de inspección para limpiar la rueda del ventilador, el ventilador y las áreas circundantes. Las aplicaciones intensivas pueden requerir una inspección semanal.
3. Cuando esté funcionando el ventilador, compruebe si existen ruidos anormales.
4. Efectúe una inspección en forma periódica y apriete todos los tornillos de fijación.
5. Revise en forma periódica las correas en busca de señales de desgaste y tensión.

NOTA: Al reemplazar las correas, use del mismo tipo que se proporciona con la unidad.

NOTA: Para el cambio de la correa, suelte el dispositivo de tensión lo suficiente para permitir el retiro manual de la correa.

⚠ ADVERTENCIA *No fuerce las correas para colocarlas o sacarlas. Ello puede causar que los cables se rompan, lo que lleva a una falla prematura de la correa.*

6. Siga la norma NEC 70 para limpieza cuando los ventiladores se instalen en aparatos de extracción en restaurantes.
7. La mayoría de los rodamientos del ventilador están previamente lubricados y no requieren una lubricación adicional, revise los rodamientos.
8. Siga las instrucciones del fabricante del motor para su lubricación.
9. Para el desmontaje del motor o de la rueda, consulte la ilustración de las partes.
10. Los contenedores de grasa se deben vaciar regularmente para evitar el desborde.
11. Para aplicaciones críticas, debe tener un motor y correas de repuesto disponibles.

FRECUENCIA DE RELUBRICACIÓN RECOMENDADA EN MESES

Velocidad de Operación (RPM)	Diám. del Eje en Pulgadas 1/2 a 1 1/2
Hasta 500	6
500 a 1000	6
1000 a 1500	5

NOTA: Si hay condiciones ambientales inusuales, como alta temperatura, humedad o contaminantes, se recomienda una lubricación más frecuente.

Se puede usar cualquier grasa a base de litio de buena calidad en conformidad con la consistencia grado 2 de NLGI, como las que aparecen en la presente lista.

Mobil 532
Mobilux N° 2
B Shell Alvania N° 2

Texaco Multifak N° 2
Texaco Premium RB
Unirex N2

Notas

Para Obtener Repuestos, llame al 1-800-323-0620

Las 24 horas del día, los 365 días del año

Proporcione la siguiente información:

- Número de modelo
- Número de serie (si lo hay)
- Descripción y número de parte, según aparezca en la lista de partes

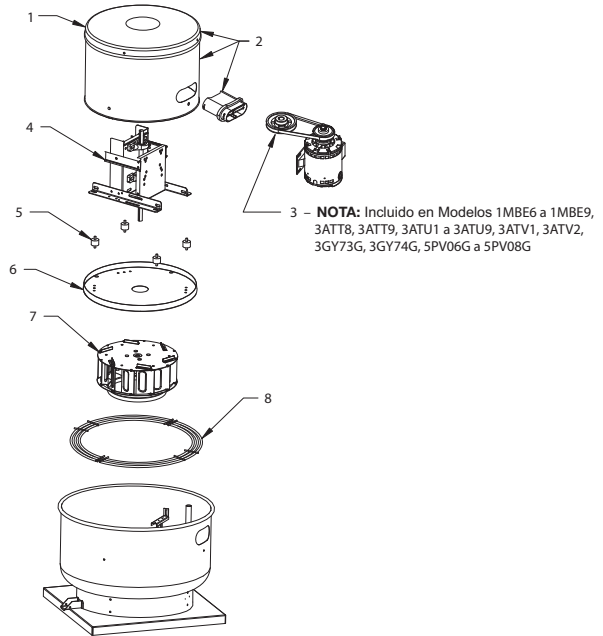


Figura 9 — Ilustración de Repuestos para Extractores Centrifugos de Transmisión por Correa de Tiro Hacia Arriba

Lista de Repuestos para Modelo de Montaje en Techo sin Paquete de Accionamiento

Número de Referencia	Descripción	Número de Parte para Modelos:								Cantidad
		1MBF1	1MBF2	2RB65	2RB66	4YY13	4YY14	4YY15	4YY16A	
1	Cubierta	6366366	6366366	6366365	6366366	6366365	6366365	6366365	6366366	1
2	Conjunto de la Cubierta	6366407	6366486	6366404	6366407	6366404	6366404	6366404	6366407	1
3	Paquete de Accionamiento	—	—	—	—	—	—	—	—	—
4	Conjunto de Bastidor Motriz	6366401	60H512	50B882	50B884	6366405	6366405	6366405	6366401	1
5	Juego de Aislador	6366402	6366406	6366402	6366402	6366402	6366402	6366402	6366402	1
6	Placa de Soporte	6366376	6366374	6366375	6366376	6366375	6366375	6366375	6366376	1
7	Rueda	60H522	60H523	50B881	50B883	6366386	6366393	6366463	53J569	1
8	Filtro para Pájaros	4YY79	4YY80	4YY78	4YY79	4YY78	4YY78	4YY78	4YY79	1

Número de Referencia	Descripción	Número de Parte para Modelos:							Cantidad.
		4YY17	4YY18	4YY19	4YY20	4YY21	4YY22	5DVL4	
1	Cubierta	6366366	6366367	6366367	6366363	6366431	6366432	6366365	1
2	Conjunto de la Cubierta	6366407	6366486	6366486	6366488	6366490	6366492	6366404	1
3	Paquete de Accionamiento	—	—	—	—	—	—	—	—
4	Conjunto de Bastidor Motriz	6366401	6366487	6366487	6366489	6366491	6366493	50B882	1
5	Juego de Aislador	6366402	6366406	6366406	6366406	6366408	6366408	6366402	1
6	Placa de Soporte	6366376	6366374	6366374	6366448	6366449	6366455	6366375	1
7	Rueda	6366465	6366461	6366462	6366464	6366481	6366482	6366385	1
8	Filtro para Pájaros	4YY79	4YY80	4YY80	4YY81	4YY82	4YY83	4YY78	1

Número de Referencia	Descripción	Número de Parte para Modelos:					Cantidad
		6KWJ9	6KWK0	6KWK1	6KWK2	6KWK3	
1	Cubierta	6366365	6366365	6366366	6366366	6366367	1
2	Conjunto de la Cubierta	6366404	6366404	6366407	6366407	6366486	1
3	Paquete de Accionamiento	—	—	—	—	—	—
4	Conjunto de Bastidor Motriz	6366405	6366405	6366401	6366401	6366487	1
(*)	Anillo de roce de aluminio	50J461	50J461	50J461	50J461	50J461	1
5	Juego de Aislador	6366402	6366402	6366402	6366402	6366406	1
6	Placa de Soporte	6366375	6366375	6366376	6366376	6366374	1
7	Rueda	6366393	6366463	53J569	6366465	6366461	1
8	Filtro para Pájaros	4YY78	4YY78	4YY79	4YY79	4YY80	1

(*) No se muestra. Para uso con 6KWJ9 y 6KWK0 a 6KWK3 en lugares potencialmente peligrosos.

E S P A Ñ O L

Para Obtener Repuestos, llame al 1-800-323-0620**Las 24 horas del día, los 365 días del año**

Proporcione la siguiente información:

- Número de modelo
- Número de serie (si lo hay)
- Descripción y número de parte, según aparezca en la lista de partes en la lista de partes

Lista de Repuestos para Modelo de Montaje en Techo con Paquete de Accionamiento, Ensamblado

Número de Referencia	Descripción	Número de Parte para Modelos:								Cantidad
		1MBE6	1MBE7	1MBE8	1MBE9	3ATT8A	3ATT9A	3ATU1A	3ATU2	
1	Cubierta	6366365	6366365	6366365	6366366	6366366	6366366	6366366	6366366	1
2	Conjunto de la Cubierta	6366404	6366404	6366404	6366407	6366407	6366407	6366407	6366407	1
3	Paquete de Accionamiento	—	—	—	—	—	—	—	—	—
	Motor	1AGG1	1AGG2	1AGG3	4YU30	1AGG3	4YU30	4YU38	4YU35	1
	Roldana Accionadora	3X779	3X779	3X779	3X587	3X276	3X264	3X264	3X276	1
	Correas	4L230	3VU39	4L230	3VU41	4L270	3VU40	3VU40	4L290	1
	Roldana Accionada	3X274	3X275	3X264	3X264	3X589	3X583	3X583	3X591	1
	Buje Accionador	—	—	—	3X573	3X573	3X573	3X573	3X573	1
4	Conjunto de Bastidor Motriz	6366405	60H511	6366405	6366401	6366401	6366401	6366401	6366401	1
5	Juego de Aislador	6366402	6366402	6366402	6366402	6366402	6366402	6366402	6366402	1
6	Placa de Soporte	6366375	6366375	6366375	6366376	6366376	6366376	6366376	6366376	1
7	Rueda	6366386	6366393	6366463	6366465	53J569	53J569	53J569	6366465	1
8	Filtro para Pájores	4YY78	4YY78	4YY78	4YY79	4YY79	4YY79	4YY79	4YY79	1

Número de Referencia	Descripción	Número de Parte para Modelos:								Cantidad
		3ATU3	3ATU4	3ATU5	3ATU6	3ATU7	3ATU8	3ATU9	3ATV1	
1	Cubierta	6366366	6366367	6366367	6366367	6366367	6366367	6366363	6366363	1
2	Conjunto de la Cubierta	6366407	6366486	6366486	6366486	6366486	6366486	6366488	6366488	1
3	Paquete de Accionamiento	—	—	—	—	—	—	—	—	—
	Motor	4YU38	4YU35	4YU31	4YU39	4YU30	4YU40	4YU31	6XWJ0	1
	Roldana Accionadora	3X438	3X276	3X276	3X276	3X264	3X438	3X264	3X946	1
	Correas	6A139	4L310	3X697	3X697	6A140	6A141	6A142	6A145	1
	Roldana Accionada	3X591	4HZ83	3X589	3X589	4HZ83	4HZ83	4HZ85	3X600	1
	Buje Accionador	3X573	3X573	3X573	3X573	3X573	3X573	3X576	3X576	1
4	Conjunto de Bastidor Motriz	6366401	6366487	6366487	6366487	6366487	6366487	6366489	6366489	1
5	Juego de Aislador	6366402	6366406	6366406	6366406	6366406	6366406	6366406	6366406	1
6	Placa de Soporte	6366376	6366374	6366374	6366374	6366374	6366374	6366448	6366448	1
7	Rueda	6366465	6366461	6366461	6366461	6366462	6366462	6366464	6366464	1
8	Filtro para Pájores	4YY79	4YY80	4YY80	4YY80	4YY80	4YY80	4YY81	4YY81	1

Número de Referencia	Descripción	Número de Parte para Modelos:						Cantidad
		3ATV2	3GY73G	3GY74G	5PV06H	5PV07G	5PV08G	
1	Cubierta	6366431	6366363	6366431	6366366	6366367	6366367	1
2	Conjunto de la Cubierta	6366490	6366488	6366490	6366399	6366486	6366486	1
3	Paquete de Accionamiento	—	—	—	—	—	—	—
	Motor	53J909	4YU40	6XWJ0	4YU35	4YU30	4YU31	1
	Roldana Accionadora	2L486	3X264	3X945	3X263	3X264	3X264	1
	Correas	6X875	6A116	3X471	3VU40	6A139	6A139	1
	Roldana Accionada	3X607	3X795	3X604	3X775	3X789	3X791	1
	Buje Accionador	3X576	—	—	—	—	—	1
4	Conjunto de Bastidor Motriz	6366491	6366489	6366491	6366401	6366487	6366487	1
5	Juego de Aislador	6366408	6366406	6366408	6366402	6366406	6366406	1
6	Placa de Soporte	6366449	6366448	6366449	6366376	6366374	6366374	1
7	Rueda	6366481	6366464	6366481	53J569	6366461	6366462	1
8	Filtro para Pájores	4YY82	4YY81	4YY82	4YY79	4YY80	4YY80	1

Extractores Centrífugos de Transmisión por Correa de Tiro Hacia Arriba Dayton®

Tabla de Solución de Problemas

Síntoma	Causas Posibles	Medidas Correctivas
El ventilador no funciona	<ol style="list-style-type: none"> 1. Fusible o cortacircuitos quemado 2. Motor defectuoso 3. Conectado incorrectamente 4. Correas rotas 	<ol style="list-style-type: none"> 1. Reemplácelo o repárelo 2. Reemplácelo o repárelo 3. CORTE la energía y revise la correcta conexión del cableado 4. Reemplácelas
Flujo de aire insuficiente	<ol style="list-style-type: none"> 1. Conducto bloqueado o filtros obstruidos 2. Velocidad demasiado baja 3. Cortafuegos cerrado 4. Deslizamiento de la correa 5. Giro incorrecto de la rueda 6. Secciones de conducto con adaptadores sueltos permiten la pérdida de aire 	<ol style="list-style-type: none"> 1. Límpielos o reemplácelos 2. Verifique las transmisiones correctas 3. Revíselo/repárelo 4. Reemplácela/ajuste la tensión 5. Revise el cableado del motor 6. Verifique la conexión fija donde se unen las secciones del conducto (se sugiere el uso de cinta adhesiva industrial en las líneas de unión para obtener un cierre sellado)
Ruido o vibración excesiva	<ol style="list-style-type: none"> 1. Las correas están demasiado sueltas/tensas 2. Rodamientos sueltos o defectuosos 3. Rueda o roldanas sueltas 4. Acumulación de material en la rueda 5. Roldanas mal alineadas 6. La base del ventilador no está firmemente anclada 7. La cubierta del motor está suelta produce ruido 8. Rueda del ventilador fuera de equilibrio 	<ol style="list-style-type: none"> 1. Ajuste la tensión 2. Reemplace los rodamientos 3. Apriete los tornillos de fijación 4. Límpiela 5. Vuelva a alinearlas 6. Fíjela correctamente 7. Apriete las tuercas ciegas que fijan la cubierta y del motor 8. Reemplace la rueda
Sobrecarga o sobrecalentamiento del motor	<ol style="list-style-type: none"> 1. RPM de la rueda demasiado altas 2. Bobinado del motor cortocircuitado 3. Giro incorrecto de la rueda 4. Voltaje de línea excesivo o deficiente 5. Deslizamiento de la correa 	<ol style="list-style-type: none"> 1. Verifique las transmisiones 2. Reemplace el motor 3. Revise el cableado del motor 4. Comuníquese con la compañía de electricidad 5. Apriete la correa

GARANTÍA LIMITADA

GARANTÍA LIMITADA DE UN AÑO DAYTON. EXTRACTORES CENTRÍFUGOS DE TRANSMISIÓN POR CORREA DE TIRO HACIA ARRIBA DAYTON®, LOS MODELOS INCLUIDOS EN ESTE MANUAL, TIENEN GARANTÍA DE DAYTON ELECTRIC MFG. CO. (DAYTON) POR DEFECTOS DE FABRICACIÓN O MATERIALES DURANTE SU USO NORMAL DURANTE UN AÑO A PARTIR DE LA FECHA DE COMPRA. TODA PIEZA QUE SE DEMUESTRE QUE TENGA DEFECTOS DE MATERIAL O DE MANO DE OBRA Y SE DEVUELVA A UN LUGAR DE SERVICIO TÉCNICO AUTORIZADO, DESIGNADO POR DAYTON, COSTOS DE TRANSPORTE PREPAGADOS, SERÁ COMO RECURSO EXCLUSIVO, REPARADA O REEMPLAZADA SEGÚN EL CRITERIO DE DAYTON. POR DEMANDA DE GARANTÍA LIMITADA, VER "DISPOSICIÓN INMEDIATA" A CONTINUACIÓN. ESTA GARANTÍA LIMITADA LE DA AL COMPRADOR DERECHOS LEGALES ESPECÍFICOS QUE VARIAN DE UNA JURISDICCIÓN A OTRA.

RESTRICCIÓN DE RESPONSABILIDAD. HASTA DONDE LO PERMITA LA LEGISLACIÓN PERTINENTE, DAYTON NIEGA EXPRESAMENTE SU RESPONSABILIDAD EN DAÑOS DE INDIRECTOS O EMERGENTES. LA RESPONSABILIDAD DE DAYTON EN TODOS LOS CASOS SE LIMITA AL PRECIO DE COMPRA Y NO DEBE EXCEDER ÉSTE.

DENEGACIÓN DE GARANTÍA. SE HA HECHO UN GRAN ESFUERZO POR PROPORCIONAR INFORMACIÓN SOBRE EL PRODUCTO E ILUSTRAR LOS PRODUCTOS DE MANERA PRECISA EN ESTE DOCUMENTO; SIN EMBARGO, TAL INFORMACIÓN E ILUSTRACIONES TIENEN EL ÚNICO PROPÓSITO DE IDENTIFICACIÓN, Y NO EXPRESA NI IMPLICA UNA GARANTÍA DE QUE LOS PRODUCTOS SEAN DE BUENA CALIDAD, O QUE SE ADAPTEN E UN PROPÓSITO EN ESPECIAL, NI QUE LOS PRODUCTOS ESTÉN NECESARIAMENTE DE ACUERDO CON LAS ILUSTRACIONES O DESCRIPCIONES. CON EXCEPCIÓN DE LO QUE SE DETALLA A CONTINUACIÓN, NINGUNA GARANTÍA NI AFIRMACIÓN DE HECHO, EXPRESA O IMPLÍCITA, APARTE DE LO QUE SE INCLUYE EN LA "GARANTÍA LIMITADA" ESTÁ HECHA O AUTORIZADA POR DAYTON.

Asesoría Técnica y Recomendaciones, Exención de Responsabilidad. No obstante las prácticas, tratos o costumbre del oficio anteriores, las ventas no incluirán asesoría o asistencia técnica, o el diseño del sistema. Dayton no asume obligaciones ni responsabilidades debido a recomendaciones, opiniones o asesorías no autorizadas en cuanto a la elección, la instalación o el uso de productos.

Aptitud del Producto. Muchas jurisdicciones tienen códigos y ordenanzas que regulan las ventas, la construcción, la instalación, y/o el uso de productos para ciertos propósitos, que pueden variar con respecto a los de las áreas vecinas. Si bien se hacen intentos para garantizar que los productos Dayton cumplan tales códigos, Dayton no garantiza su cumplimiento y no puede ser responsable por la manera en que se instalen o usen los productos. Antes de la compra y del uso de un producto, revise sus aplicaciones y todos los códigos, y reglamentos nacionales y locales pertinentes, y asegúrese de que el producto, su instalación y su uso estén en conformidad con ellos.

Ciertos aspectos de la denegación no se aplican a productos del consumidor; por ej., (a) algunas jurisdicciones no permiten la exclusión o la limitación de daños accidentales o resultantes, por lo que la limitación o exclusión mencionadas anteriormente, pueden no aplicarse a usted; (b) además, algunas jurisdicciones no permiten una limitación sobre la duración de una garantía implícita, en consecuencia, la limitación mencionada anteriormente puede no aplicarse a usted; y (c) por ley, durante el período de esta Garantía Limitada, cualquier garantía implícita de comerciabilidad o aptitud para un propósito en particular que se aplique a productos del consumidor adquiridos por consumidores, no puede ser excluida ni rechazada.

Disposición Inmediata. Se realizará un esfuerzo de buena fe para corregir o realizar otros ajustes de manera oportuna con respecto a cualquier producto que se demuestra que tenga defectos dentro de la garantía limitada. En caso de existir un producto con fallas dentro de la garantía limitada, escriba o llame al distribuidor a quien le compró el producto. Éste le indicará qué hacer. Si el problema no se resuelve de manera satisfactoria, escriba a Dayton a la dirección que figura a continuación, indicando nombre del distribuidor, dirección, fecha y número de la factura del distribuidor, y describa la naturaleza de la falla. Título y riesgo de pérdida pasan al comprador en la entrega a la compañía de transporte. Si el producto se dañó durante el transporte, presente el reclamo al transporte.

Fabricado para Dayton Electric Mfg. Co., 5959 W. Howard St., Niles, Illinois 60714 EE.UU.

Fabricado para Dayton Electric Mfg. Co.
Niles, Illinois 60714 EE.UU.

Dayton®

Veillez lire et conserver ces instructions. Lire attentivement avant de commencer à assembler, installer, faire fonctionner ou entretenir l'appareil décrit. Protégez-vous et les autres en observant toutes les informations sur la sécurité. Négliger d'appliquer ces instructions peut résulter en des blessures corporelles et/ou en des dommages matériels ! Conserver ces instructions pour références ultérieures.

Tourelles d'extraction à rejet vertical centrifuges à courroie Dayton®

Les tourelles Dayton sont conçues pour l'extraction en continu d'air vicié, de fumées, d'odeurs et de vapeurs grasses depuis des hottes de cuisinières et d'appareils de cuisson commerciaux en plus de la ventilation de locaux industriels et de collectivités. Elles résistent à des températures jusqu'à 150 °C (300 °F). Ces tourelles à l'épreuve des intempéries comportent une costière en aluminium repoussé et un socle de moteur et des supports en métal galvanisé. Les tourelles (à l'exclusion des modèles 6KWJ9 et 6KWK0 à 6KWK3) sont homologuées UL/cUL Norme 705 et homologuées UL/cUL Sujet 762 (YZHW) et sont conformes à la norme NFPA 96 relative à la ventilation et la protection incendie des cuisines commerciales. Les moteurs sont montés hors du courant de décharge dans une chambre à refroidissement forcé alimentée par de l'air aspiré par l'intermédiaire d'un tube de reniflard.

Les modèles haute pression sont conçus pour les applications industrielles et commerciales présentant une haute résistance au refoulement de l'air vicié directement au dessus de la surface du toit. Ils sont généralement utilisés pour les gaines longues ou de haute résistance à volume moyen et haute pression.

Lorsqu'elles sont utilisées avec un moteur antidéflagrant, les tourelles 6KWJ9 et 6KWK0 à 6KWK3 peuvent être utilisées pour l'extraction de particules ou fumées potentiellement inflammables. Elles comportent une bague de frottement et une turbine en aluminium anti-étincelles pour zones dangereuses.

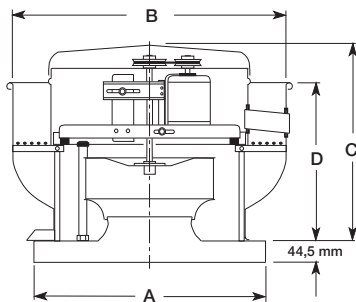


Figure 1 — Dimensions



Dayton Electric Mfg. Co. certifie que les tourelles d'extraction décrites aux présentes sont autorisées à porter le sceau de l'AMCA. Les caractéristiques indiquées ici reposent sur des essais et procédures effectués conformément à la Publication 211 et à la Publication 311 de l'AMCA et répondent aux exigences du programme de certification des caractéristiques de l'AMCA.

Accessoires en option

Description	Général ou UL 705 N° de modèle
-------------	-----------------------------------

Sectionneur NEMA 1 :	1H400 (bipolaire, 2 HP maxi) 1H401 (tripolaire, 7½ HP maxi)
Registre :	4HX64-4HX70
Costière fixe 30,5 cm :	2RB75-2RB77, 2RB79-2RB82
Costière régl. 30,5 cm :	2ZV82-2ZV85
Adaptateur de costière :	3AZK1-3AZK9, 3AZL1-3AZL3
Grille oiseaux :	4YY78-4YY83

Description	Cuisine ou UL 762 N° de modèle
-------------	-----------------------------------

Sectionneur NEMA 4 :	1H408 (bipolaire, 2 HP maxi) 1H409 (tripolaire, 7½ HP maxi)
Collecteur de graisse :	1RL34, 4HX78
Charnières :	4HX79, 4YY84-4YY86
Nécessaire ouverture de nettoyage :	3ATV9
Costière fixe ventilée 46 à 61 cm :	4HX54-4HX60
Costière réglable ventilée 46 à 61 cm :	4HX54-4HX60

AVERTISSEMENT Ne pas utiliser de registre dans une application d'extraction de cuisine.

Dimensions et caractéristiques (voir Figure 1)

Modèle sans syst. d'entraînement	Modèle avec système d'entraînement, assemblé	Dia. turbine	Dia. arbre	A	B	C	D	Recommandations	
								Ouverture de toiture	Taille registre
4YY13	1MBE6	27,9 cm	19,1 mm	48,3 cm	70,8 cm	63,8 cm	44,1 cm	36,8 x 36,8 cm	30,5 x 30,5 cm
4YY14, 2RB65, 6KWJ9	1MBE7	28,6	19,1	55,9	70,8	63,8	44,1	44,5 x 44,5	38,1 x 38,1
5DVL4	—	31,8	19,1	55,9	70,8	63,8	44,1	44,5 x 44,5	38,1 x 38,1
4YY15, 6KWK0	1MBE8	33,7	19,1	55,9	70,8	63,8	44,1	44,5 x 44,5	38,1 x 38,1
4YY16A, 2RB66, 6KWK1	5PV06H, 3ATT8A, 3ATT9A, 3ATU1A	37,5	19,1	66,0	73,3	67,0	49,2	54,6 x 54,6	48,3 x 48,3
4YY17, 1MBF1, 6KWK2	1MBE9, 3ATU2, 3ATU3	41,9	19,1	66,0	73,3	67,0	49,2	54,6 x 54,6	48,3 x 48,3
4YY18, 6KWK3	5PV07G, 3ATU4, 3ATU5, 3ATU6	47,0	19,1	76,2	89,9	88,3	21,0	64,8 x 64,8	58,4 x 58,4
4YY19, 1MBF2	5PV08G, 3ATU7, 3ATU8	54,0	19,1	76,2	89,9	88,3	21,0	64,8 x 64,8	58,4 x 58,4
4YY20	3GY73G, 3ATU9, 3ATV1	62,2	25,4	86,4	108,6	100,3	64,8	74,9 x 74,9	68,6 x 68,6
4YY21	3GY74G, 3ATV2	77,5	25,4	106,7	127,0	101,6	74,3	95,3 x 95,3	88,9 x 88,9
4YY22	—	91,4	31,8	116,8	148,9	113,3	74,8	105,4 x 105,4	99,1 x 99,1

Tourelles d'extraction à rejet vertical centrifuges à courroie Dayton®

Performances sans système d'entraînement

Modèle	Dia. turbine	Turb. tr/min	HP	BHP maxi	Sones à 0,2500" SP à 5 pi	Débit d'air (pi ³ /min) à la pression statique indiquée									
						0,000"	0,125"	0,250"	0,375"	0,500"	0,750"	1,00"	1,25"	1,50"	1,75"
4YY13	27,9 cm	1140	1/6	0,06	8,3	780	656	502	294	—	—	—	—	—	—
		1725	1/4	0,20	13,0	1180	1094	1017	929	824	586	—	—	—	—
4YY14, 6KWJ9‡	28,6	1660	1/4	0,26	12,0	1413	1365	1313	1251	1189	1056	861	—	—	—
		1820	1/3	0,35	13,4	1549	1505	1459	1406	1350	1234	1106	900	—	—
5DVL4	31,8	1410	1/4	0,26	12,2	1665	1595	1528	1463	1398	1224	968	—	—	—
		1545	1/3	0,34	14,0	1824	1760	1699	1639	1580	1441	1262	990	—	—
		1725	1/2	0,48	16,7	2037	1979	1923	1869	1816	1710	1571	1406	1176	—
4YY15, 6KWK0‡	33,7	1305	1/4	0,26	13,9	1790	1709	1629	1547	1458	1201	—	—	—	—
		1435	1/3	0,35	15,1	1968	1895	1822	1749	1671	1479	1198	—	—	—
		1645	1/2	0,52	17,4	2256	2192	2128	2065	2001	1864	1684	1455	—	—
4YY16A, 6KWK1‡	37,5	1105	1/4	0,26	10,6	2001	1906	1793	1667	1515	998	—	—	—	—
		1210	1/3	0,34	11,7	2192	2106	2006	1896	1773	1443	—	—	—	—
		1390	1/2	0,52	14,2	2518	2445	2362	2271	2174	1949	1643	—	—	—
		1595	3/4	0,79	18,5	2889	2826	2757	2683	2602	2430	2225	1968	1568	—
		1725	1	1,00	22	3125	3066	3005	2936	2865	2711	2539	2339	2085	1704
4YY17, 6KWK2‡	41,9	875	1/4	0,26	10,1	2515	2362	2177	1974	1744	—	—	—	—	—
		965	1/3	0,35	11,5	2774	2637	2477	2300	2109	1584	—	—	—	—
		1110	1/2	0,54	14,2	3191	3072	2941	2796	2641	2297	1770	—	—	—
		1265	3/4	0,79	17,7	3636	3532	3426	3301	3172	2894	2583	2163	—	—
		1390	1	1,05	21	3996	3901	3806	3698	3584	3340	3078	2785	2394	—
4YY18, 6KWK3‡	47,0	745	1/4	0,26	8,1	2815	2617	2448	2143	1763	—	—	—	—	—
		820	1/3	0,34	10,1	3098	2916	2759	2525	2257	—	—	—	—	—
		940	1/2	0,52	13,1	3551	3389	3243	3115	2879	2363	—	—	—	—
		1075	3/4	0,78	15,8	4061	3919	3786	3666	3554	3141	2652	—	—	—
		1185	1	1,04	17,1	4477	4348	4224	4108	4005	3703	3336	2841	—	—
		1360	1½	1,58	22	5138	5026	4913	4811	4710	4532	4232	3912	3537	3023
		1495	2	2,10	27	5648	5546	5443	5345	5254	5082	4921	4598	4313	3983
		—	—	—	—	—	—	—	—	—	—	—	—	—	—
4YY19	54,0	605	1/4	0,26	6,7	3403	3054	2675	2144	—	—	—	—	—	
		665	1/3	0,35	8,1	3740	3422	3096	2699	2073	—	—	—	—	
		760	1/2	0,52	10,9	4275	3994	3718	3413	3048	—	—	—	—	
		875	3/4	0,79	15,2	4922	4676	4439	4192	3922	3240	—	—	—	
		960	1	1,04	17,7	5400	5176	4958	4742	4508	3985	3169	—	—	
		1100	1½	1,57	23	6187	5992	5798	5610	5421	5006	4529	3861	—	
		1210	2	2,10	23	6806	6628	6451	6279	6108	5748	5350	4892	4289	3365
4YY20	62,2	465	1/4	0,26	6,3	4216	3768	3188	2162	—	—	—	—	—	
		510	1/3	0,34	7,3	4623	4243	3717	3134	—	—	—	—	—	
		585	1/2	0,52	9,5	5303	4961	4540	4093	3565	—	—	—	—	
		670	3/4	0,79	12,8	6074	5763	5461	5052	4659	3524	—	—	—	
		735	1	1,04	15,5	6663	6370	6133	5764	5409	4618	—	—	—	
		845	1½	1,57	18,6	7660	7400	7184	6947	6615	6002	5282	—	—	
		930	2	2,10	23	8431	8194	7985	7798	7536	6953	6375	5706	4324	—
		1050	3	3,00	31	9519	9309	9107	8941	8775	8267	7766	7253	6672	6005

(‡) Tourelle pour utilisation avec moteur antidéflagrant dans les zones dangereuses. Valeurs certifiées pour une installation de type A : admission libre, refoulement libre. La valeur de puissance (BHP) ne comprend pas les pertes de transmission. Les valeurs indiquées ne tiennent pas compte des effets des équipements connexes (accessoires). Les données acoustiques indiquées sont des valeurs de sonie exprimées en sones ventilateur à 1,5 m (5 pieds) en champ libre hémisphérique calculés selon la norme AMCA 301. Valeurs indiquées pour une installation de type A : niveaux de sonie hémisphérique à l'admission libre.

Modèles 1MBF1, 1MBF2, 1MBE6 à 1MBE9, 2RB65, 2RB66, 3ATT8A, 3ATT9A, 3ATU1A, 3ATU2 à 3ATU9, 3ATV1, 3ATV2, 3GY73G, 3GY74G, 4YY13 à 4YY15, 4YY16A, 4YY17 à 4YY22, 5DVL4, 5PV06H, 5PV07G, 5PV08G, 6KWJ9, 6KWK0 à 6KWK3

Performances sans système d'entraînement (suite)

Modèle	Dia. turbine	Turb. tr/min	HP	BHP maxi	Sones à 0,2500" SP à 5 pi	Débit d'air (pi ³ /min) à la pression statique indiquée									
						0,000"	0,125"	0,250"	0,375"	0,500"	0,750"	1,00"	1,25"	1,50"	1,75"
4YY21	77,5 cm	365	1/3	0,34	5,7	5940	5316	4464	—	—	—	—	—	—	—
		420	1/2	0,52	7,5	6835	6314	5660	4820	—	—	—	—	—	—
		480	3/4	0,77	9,9	7811	7377	6844	6231	5440	—	—	—	—	—
		530	1	1,05	12,2	8625	8231	7772	7245	6636	—	—	—	—	—
		605	1½	1,55	15,7	9845	9501	9127	8705	8226	7084	—	—	—	—
		665	2	2,07	18,6	10.822	10.508	10.193	9808	9411	8495	7271	—	—	—
		765	3	3,15	23	12.449	12.176	11.904	11.607	11.273	10.554	9743	8756	7352	—
905	5	5,21	32	14.727	14.497	14.266	14.036	13.788	13.223	12.614	11.963	11.191	10.357		
4YY22	91,4	320	1/2	0,52	6,0	8631	7820	6755	5256	—	—	—	—	—	
		365	3/4	0,78	8,5	9845	9142	8299	7286	5767	—	—	—	—	
		400	1	1,02	11,1	10.789	10.153	9426	8556	7575	—	—	—	—	
		460	1½	1,55	15,8	12.408	11.862	11.281	10.587	9814	7809	—	—	—	
		505	2	2,06	19,8	13.621	13.125	12.602	12.022	11.359	9878	—	—	—	
		580	3	3,13	23	15.644	15.212	14.769	14.306	13.783	12.597	11.287	9381	—	
		690	5	5,26	28	18.611	18.248	17.884	17.504	17.115	16.236	15.243	14.187	12.985	11.290

Valeurs certifiées pour une installation de type A : admission libre, refoulement libre. La valeur de puissance (BHP) ne comprend pas les pertes de transmission. Les valeurs indiquées ne tiennent pas compte des effets des équipements connexes (accessoires). Les données acoustiques indiquées sont des valeurs de sonie exprimées en sones ventilateur à 1,5 m (5 pieds) en champ libre hémisphérique calculés selon la norme AMCA 301. Valeurs indiquées pour une installation de type A : niveaux de sonie hémisphérique à l'admission libre.

Performances haute pression, sans système d'entraînement

Modèle	Dia. turbine	Turb. tr/min	HP	BHP maxi	Sones à 0,2500" SP à 5 pi	Débit d'air (pi ³ /min) à la pression statique indiquée								
						0,500"	0,750"	1,00"	1,25"	1,50"	1,75"	2,00"	2,25"	2,50"
2RB65	28,6 cm	2045	1/4	0,26	13,9	761	693	615	522	346	—	—	—	—
		2250	1/3	0,35	14,4	860	804	737	665	579	456	—	—	—
		2580	1/2	0,53	16,8	1014	969	919	861	799	735	655	550	323
2RB65	37,5	1465	1/4	0,26	14,2	1016	920	798	642	—	—	—	—	—
		1605	1/3	0,34	15,2	1146	1063	965	846	704	—	—	—	—
		1845	1/2	0,52	17,0	1363	1292	1219	1137	1042	924	800	—	—
		2110	3/4	0,78	19,8	1592	1536	1473	1409	1341	1262	1178	1073	965
1MBF1	41,9	1065	1/4	0,26	11,0	1487	1252	—	—	—	—	—	—	—
		1165	1/3	0,34	12,8	1697	1504	1252	—	—	—	—	—	—
		1340	1/2	0,52	14,4	2053	1897	1724	1513	—	—	—	—	—
		1535	3/4	0,74	18,1	2433	2301	2165	2015	1855	1638	—	—	—
1MBF2	54,0	1690	1	1,05	21	2722	2611	2488	2365	2228	2082	1899	1664	—
		880	1/2	0,52	10,5	2779	2317	—	—	—	—	—	—	—
		1010	3/4	0,79	14,5	3397	3067	2637	—	—	—	—	—	—
		1110	1	1,04	16,9	3851	3561	3242	2806	—	—	—	—	—
		1270	1½	1,56	22	4558	4312	4055	3789	3433	2944	—	—	—
		1400	2	2,09	24	5110	4898	4674	4436	4195	3880	3515	—	—
1600	3	3,13	29	5943	5775	5581	5385	5182	4971	4760	4476	4189		

Valeurs certifiées pour une installation de type A : admission libre, refoulement libre. La valeur de puissance (BHP) ne comprend pas les pertes de transmission. Les valeurs indiquées ne tiennent pas compte des effets des équipements connexes (accessoires). Les données acoustiques indiquées sont des valeurs de sonie exprimées en sones ventilateur à 1,5 m (5 pieds) en champ libre hémisphérique calculés selon la norme AMCA 301. Valeurs indiquées pour une installation de type A : niveaux de sonie hémisphérique à l'admission libre.

FRANÇAIS



Tourelles d'extraction à rejet vertical centrifuges à courroie Dayton®

Performances avec système d'entraînement, assemblé

Modelo	Dia. turbine	Turb. tr/min	HP	BHP maxi.	Sones à Débit d'air (pi ³ /min) à la pression statique indiquée										
					0,2500" SP à 5 pi	0,000"	0,125"	0,250"	0,375"	0,500"	0,750"	1,00"	1,25"	1,50"	1,75"
MONOPHASÉ, 115/208-230															
1MBE6	27,9 cm	1725	1/4	0,20	13,0	1180	1094	1017	929	824	586	—	—	—	—
1MBE7	28,6	1820	1/3	0,35	13,4	1549	1505	1459	1406	1350	1234	1106	900	—	—
1MBE8	33,7	1645	1/2	0,52	17,4	2256	2192	2128	2065	2001	1864	1684	1455	—	—
3ATT8A	37,5	1390	1/2	0,52	14,2	2518	2445	2362	2271	2174	1949	1643	—	—	—
5PV06H	37,5	1595	3/4	0,79	18,5	2889	2826	2757	2683	2602	2430	2225	1968	1568	1568
3ATT9A	37,5	1725	1	1,00	22	3125	3066	3005	2936	2865	2711	2539	2339	2085	1704
3ATU2	41,9	1265	3/4	0,79	17,7	3636	3532	3426	3301	3172	2894	2583	2163	—	—
1MBE9	41,9	1390	1	1,05	21	3996	3901	3806	3698	3584	3340	3078	2785	2394	—
3ATU4	47,0	1075	3/4	0,78	15,8	4061	3919	3786	3666	3554	3141	2652	—	—	—
5PV07G	47,0	1185	1	1,04	17,1	4477	4348	4224	4108	4005	3703	3336	2841	—	—
3ATU5	47,0	1360	1½	1,58	22	5138	5026	4913	4811	4710	4532	4232	3912	3537	3023
3ATU7	54,0	960	1	1,04	17,7	5400	5176	4958	4742	4508	3985	3169	—	—	—
5PV08G	54,0	1100	1½	1,57	23	6187	5992	5798	5610	5421	5006	4529	3861	—	—
3ATU9	62,2	845	1½	1,57	18,6	7660	7400	7184	6947	6615	6002	5282	—	—	—
TRIPHASÉ, 208-230/460															
3ATU1A	37,5 cm	1725	1	1,00	22	3125	3066	3005	2936	2865	2711	2539	2339	2085	1704
3ATU3	41,9	1390	1	1,05	21	3996	3901	3806	3698	3584	3340	3078	2785	2394	—
3ATU6	47,0	1360	1½	1,58	22	5138	5026	4913	4811	4710	4532	4232	3912	3537	3023
3ATU8	54,0	1210	2	2,10	23	6806	6628	6451	6279	6108	5748	5350	4892	4289	3365
3GY73G	62,2	930	2	2,10	23	8431	8194	7985	7798	7536	6953	6375	5706	4324	4324
3ATV1	62,2	1050	3	3,00	31	9519	9309	9107	8941	8775	8267	7766	7253	6672	6005
3GY74G	77,5	765	3	3,15	23	12.449	12.176	11.904	11.607	11.273	10.554	9743	8756	7352	7352
3ATV2	77,5	905	5	5,21	32	14.727	14.497	14.266	14.036	13.788	13.223	12.614	11.963	11.191	10.357

Valeurs certifiées pour une installation de type A : admission libre, refoulement libre. La valeur de puissance (BHP) ne comprend pas les pertes de transmission. Les valeurs indiquées ne tiennent pas compte des effets des équipements connexes (accessoires). Les données acoustiques indiquées sont des valeurs de sonie exprimées en sones ventilateur à 1,5 m (5 pieds) en champ libre hémisphérique calculés selon la norme AMCA 301. Valeurs indiquées pour une installation de type A : niveaux de sonie hémisphérique à l'admission libre.

Déballage

1. Vérifier l'absence de tout dommage éventuellement causé par le transport.
2. Les réclamations pour dommages dus au transport sont à adresser au transporteur.
3. Vérifier que les boulons, vis, vis de calage, etc. ne se sont pas desserrés durant le transport. Resserrer le cas échéant. Actionner la turbine à la main pour s'assurer qu'elle tourne librement.

Informations générales sur la sécurité

⚠ DANGER Ne pas dépendre d'un interrupteur comme unique moyen de coupure de l'alimentation lors de l'installation ou de l'entretien de l'appareil. Pour écarter les risques d'incendie, de choc électrique ou de blessure grave, veiller à toujours débrancher, verrouiller et étiqueter la source de courant avant l'installation ou l'entretien. Le moteur redémarre sans avertir après déclenchement de la protection thermique. Ne pas toucher le moteur en marche, il peut être assez chaud pour causer des lésions.

⚠ DANGER Ne pas placer de parties du corps ni d'objets dans les ouvertures du ventilateur, du moteur ou de l'entraînement si l'appareil est raccordé à une source de courant.

⚠ AVERTISSEMENT Ne pas utiliser ce matériel dans des atmosphères explosives !

1. Lire et respecter toutes les instructions et marques de mise en garde. S'assurer que la source d'alimentation est conforme aux exigences pour le matériel et à la réglementation en vigueur.

Modèles 1MBF1, 1MBF2, 1MBE6 à 1MBE9, 2RB65, 2RB66, 3ATT8A, 3ATT9A, 3ATU1A, 3ATU2 à 3ATU9, 3ATV1, 3ATV2, 3GY73G, 3GY74G, 4YY13 à 4YY15, 4YY16A, 4YY17 à 4YY22, 5DVL4, 5PV06H, 5PV07G, 5PV08G, 6KWJ9, 6KWK0 à 6KWK3

Informations générales sur la sécurité (suite)

- Les tourelles doivent être assemblées, posées et entretenues par un technicien qualifié. Confier tous les travaux d'électricité à un électricien qualifié.
- Respecter tous les codes d'électricité et de sécurité en vigueur aux États-Unis et au Canada, ainsi que le National Electrical Code (NEC), l'Occupational Safety and Health Act (OSHA) et le National Fire Protection Association (NFPA) Bulletin 96 aux États-Unis. Mettre le moteur à la terre conformément à l'Article 250 (mise à la terre) du NEC. Au Canada, respecter le Code canadien de l'électricité.

ATTENTION Pour réduire le risque de blessure corporelle, respecter ce qui suit :

L'OSHA exige des protections agréées OSHA lorsque l'appareil est posé à moins de 2,1 m (7 pieds) du niveau du sol ou de travail.

Les normes UL/UL exigent des protections agréées OSHA lorsque l'appareil est posé à moins de 2,5 m (8 pieds) du niveau du sol ou de travail.

- Ne pas plier le câble d'alimentation ni le laisser venir au contact d'objets coupants, d'huile, de graisse, de surfaces chaudes ou de produits chimiques. Changer immédiatement tout cordon endommagé.
- S'assurer que la source d'alimentation est conforme aux exigences pour le matériel.
- Ne jamais ouvrir le capot d'accès d'une gaine alors que le ventilateur est en marche.
- Le moteur doit être correctement et solidement relié à la terre. Pour cela, le raccorder à un chemin de câble à revêtement métallique relié à la terre au moyen d'un fil de terre séparé raccordé au métal nu de la carcasse du moteur, ou autre moyen adapté.

Pose

AVERTISSEMENT La pose, le dépannage et le remplacement de pièces doivent être effectués exclusivement par du personnel qualifié. Consulter et respecter les dispositions de NFPA 96. Les instructions de NFPA 96 ont priorité sur ce document.

ATTENTION Ne pas soulever la tourelle par sa virole, utiliser une élingue ou un plateau.

POSE EN TOITURE

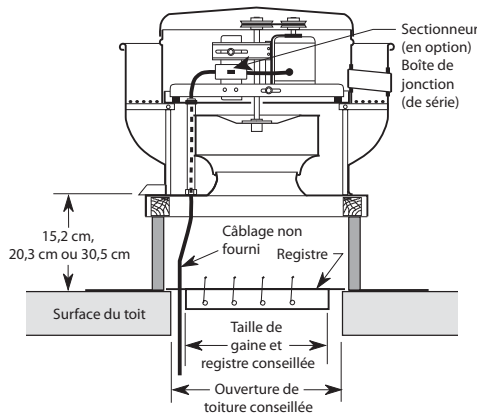


Figure 2 — Pose en toiture typique

REMARQUE : Poser l'appareil avec une costière Dayton (vendue séparément).

- Découper une ouverture de taille adaptée dans la surface du toit. Suivre les instructions de pose du fabricant de costière. Effectuer le calfatage et l'arbergement de la costière pour assurer l'étanchéité à l'eau.
- Poser le registre antirefoulement en option. Fixer la bride du registre au plateau de registre de la costière avec la visserie fournie.
- Déposer le capot de moteur.
- Utiliser les oreilles de levage sur le bâti du moteur et soulever et poser l'appareil sur la costière. Voir la Figure 3.

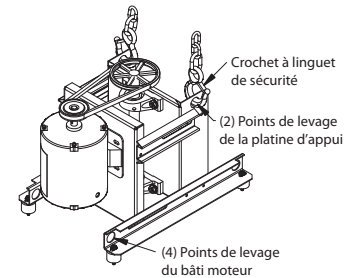


Figure 3 — Oreilles de levage

- Fixer la tourelle à la costière avec un minimum de huit vis.
- Vérifier que la turbine tourne librement.
- Vérifier le bon serrage de toute la visserie.
- Poser et câbler le sectionneur de sécurité sous le capot de ventilateur et câbler le moteur conformément au schéma de câblage. Voir Raccordement électrique, Figure 8. Câbler les commutateurs de commande au niveau du sol.
- Remettre le capot de moteur en place.
- Toutes les tourelles en toiture à rejet vertical Dayton comportent une gouttière de récupération. Prévoir un moyen de collecte de la graisse et des résidus.

UL 762 CUISINE COMMERCIALE

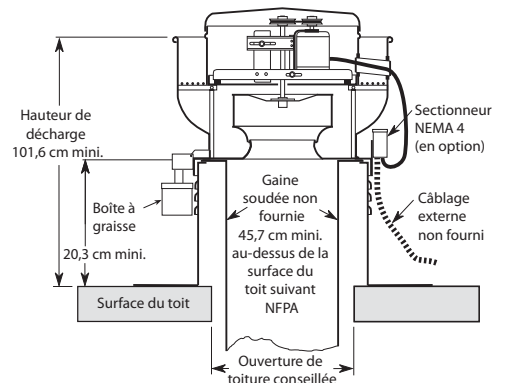


Figure 4 — Pose en toiture pour cuisine

FRANÇAIS

Tourelles d'extraction à rejet vertical centrifuges à courroie Dayton®

Pose (suite)

1. Poser conformément aux exigences de NFPA 96 pour les appareils d'extraction de restauration.
2. Poser le collecteur de graisse, les charnières ou la boîte de jonction externe en option.

AVERTISSEMENT *Ne pas utiliser de registre dans une application d'extraction de cuisine.*

3. La section de la gaine doit être égale ou supérieure à l'ouverture d'admission. Certaines réglementations locales exigent une soudure continue entre la gaine et l'admission. Maintenir le tube de refroidissement du moteur dégagé.

POSE DU MOTEUR ET DES POULIES

REMARQUE : Pour les appareils homologués UL, le moteur utilisé doit être désigné comme tel par Dayton.

1. Fixer le moteur sur la platine avec la visserie fournie. Les trous s'alignent lorsque la carcasse du moteur (côté arbre) est au ras du rebord de la platine.

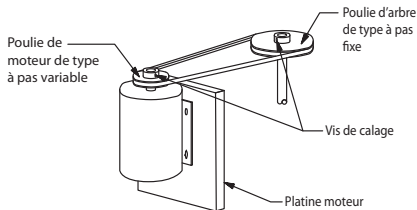


Figure 5 — Schéma de l'entraînement

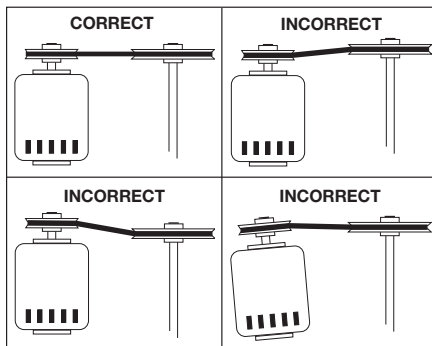


Figure 6 — Alignement des poulies

2. Poser les poulies sur les arbres en les attachant avec une vis de calage. Contrôler le bon alignement des poulies. Le mauvais alignement des poulies provoque l'usure de la courroie, des vibrations, du bruit et une perte de soufflage.
3. Poser la courroie et régler la tension de manière permettre un fléchissement de 0,4 mm par 25,4 mm de portée lorsqu'une pression modérée du pouce est exercée sur la courroie. Une tension excessive provoque une usure prématurée des roulements et du bruit. Une tension insuffisante produit un patinage au démarrage et une usure irrégulière.

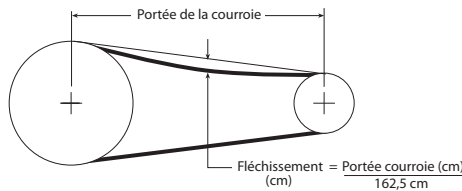


Figure 7 — Tension de la courroie

4. Ajuster la vitesse de rotation à l'aide d'une poulie à pas variable. Après ce réglage, vérifier l'intensité consommée par le moteur pour éviter sa surcharge.

RACCORDEMENT ÉLECTRIQUE

REMARQUE : Voir le câblage sur la plaque signalétique du moteur. Se reporter aux procédures de pose et de câblage du fabricant de commutateur.

REMARQUE : Les tourelles d'extraction utilisées pour la ventilation de cuisines doivent être câblées par l'extérieur.

1. Le moteur et la tourelle doivent être solidement reliés à la terre (métal nu) via une masse électrique adaptée, telle qu'une conduite d'eau reliée à la terre ou un circuit de terre.

REMARQUE : Voir le schéma de câblage à la Figure 8.

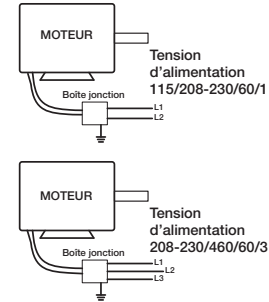


Figure 8 — Schéma de câblage typique

ATTENTION *Poser conformément aux exigences NFPA et NEC 70.*

Fonctionnement

1. Avant de démarrer et d'utiliser la nouvelle tourelle Dayton, vérifier le bon serrage de toute la visserie. En particulier, contrôler les vis de calage du moyeu de turbine (et des poulies, le cas échéant). En position ARRÊT, ou avant de brancher l'alimentation de la tourelle, tourner la turbine à la main pour s'assurer qu'elle ne heurte aucun orifice ou obstruction.
2. Démarrer la tourelle et l'arrêter immédiatement pour vérifier que le sens de rotation de la turbine correspond à la flèche dans le compartiment du moteur. La turbine doit tourner dans le **sens des aiguilles d'une montre** lorsqu'elle est vue par le dessus.
3. Lorsque la tourelle est en marche, observer son fonctionnement et vérifier l'absence de bruits inhabituels.
4. Le système étant en marche avec toutes les gaines posées, mesurer l'intensité de courant (ampères) vers le moteur et la comparer à l'intensité nominale (pleine charge) figurant sur la plaque signalétique pour vérifier si le moteur fonctionne dans des conditions de charge admissibles.

IMPORTANT : Ajuster (tendre) la courroie au bout des premières 48 heures de marche.

Modèles 1MBF1, 1MBF2, 1MBE6 à 1MBE9, 2RB65, 2RB66, 3ATT8A, 3ATT9A, 3ATU1A, 3ATU2 à 3ATU9, 3ATV1, 3ATV2, 3GY73G, 3GY74G, 4YY13 à 4YY15, 4YY16A, 4YY17 à 4YY22, 5DVL4, 5PV06H, 5PV07G, 5PV08G, 6KWJ9, 6KWK0 à 6KWK3

Entretien

▲ ATTENTION *Couper et verrouiller la source d'alimentation avant l'entretien.*

▲ AVERTISSEMENT *Un nettoyage irrégulier de la turbine produit un déséquilibre qui provoque des vibrations dans la tourelle.*

1. Garder les ouvertures d'admission et les approches vers la tourelles propres et non obstruées.
2. En fonction de l'utilisation et du degré de saleté de l'air, il convient d'établir un contrôle à intervalles réguliers pour le nettoyage de la turbine, de la tourelle et des surfaces avoisinantes. Les applications sévères peuvent nécessiter un contrôle hebdomadaire.
3. Vérifier l'absence de bruits inhabituels durant la marche du ventilateur.
4. Contrôler régulièrement et resserrer toute la visserie.
5. Contrôler régulièrement l'état d'usure et la tension de la courroie.

REMARQUE : Lors du changement de courroie, toujours utiliser le même type que celui fourni avec l'appareil.

REMARQUE : Pour changer la courroie, desserrer le dispositif tendeur suffisamment pour permettre la dépose de la courroie à la main.

▲ AVERTISSEMENT *Ne pas forcer sur la courroie pour la poser ou la déposer. Ceci peut causer des ruptures d'armature et une défaillance prématurée de la courroie.*

6. Suivre la norme NEC 70 pour le nettoyage lorsque les tourelles sur des appareils d'extraction de restauration.
7. La majorité des paliers des tourelles sont pré lubrifiés et ne nécessitent aucun graissage ultérieur ; contrôler les paliers.
8. Suivre les instructions du fabricant du moteur concernant sa lubrification.
9. Pour démonter le moteur ou la turbine, consulter l'illustration des pièces.
10. Les récipients collecteurs de graisse doivent être vidés à intervalles réguliers pour éviter leur débordement.
11. Pour les applications critiques, avoir un moteur et des courroies de rechange à disposition.

FRÉQUENCE DE GRAISSAGE CONSEILLÉE EN MOIS

Vitesse d'exploit. (tr/min)	Dia. arbre en po 1/2 à 1 1/2
Jusqu'à 500	6
500 à 1000	6
1000 à 1500	5

REMARQUE : En présence de conditions ambiantes inhabituelles - haute température, humidité ou contaminants - un graissage plus fréquent est conseillé.

Utiliser toute graisse à base de lithium de bonne qualité de consistance conforme à NLGI Grade 2, telle que celles indiquées ici.

Mobil 532	Texaco Multifak # 2
Mobilux # 2	Texaco Premium RB
B Shell Alvania # 2	Unirex N2

Notes

F
R
A
N
Ç
A
I
S

Pour les pièces de rechange, appeler le 1-800-323-0620

24 h/24 – 365 jours par an

Veillez fournir les renseignements suivants :

- Numéro de modèle
- Numéro de série (le cas échéant)
- Description et numéro de pièce indiqués sur la nomenclature des pièces

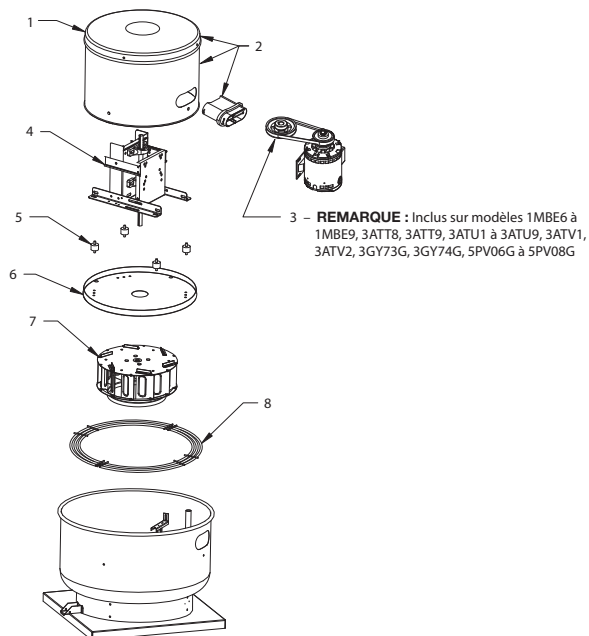


Figure 9 — Pièces de rechange pour Tourelles d'extraction à rejet vertical centrifuges à courroie

Nomenclature des pièces de rechange pour pose en toiture sans système d'entraînement

Numéro de référence	Description	Numéro de pièce pour le modèle :								Quantité
		1MBF1	1MBF2	2RB65	2RB66	4YY13	4YY14	4YY15	4YY16A	
1	Capot	6366366	6366366	6366365	6366366	6366365	6366365	6366365	6366366	1
2	Coiffe complète	6366407	6366486	6366404	6366407	6366404	6366404	6366404	6366407	1
3	Entraînement	—	—	—	—	—	—	—	—	—
4	Bâti de moteur	6366401	60H512	50B882	50B884	6366405	6366405	6366405	6366401	1
5	Nécessaire isolement	6366402	6366406	6366402	6366402	6366402	6366402	6366402	6366402	1
6	Platine support	6366376	6366374	6366375	6366376	6366375	6366375	6366375	6366376	1
7	Turbine	60H522	60H523	50B881	50B883	6366386	6366393	6366463	53J569	1
8	Grille oiseaux	4YY79	4YY80	4YY78	4YY79	4YY78	4YY78	4YY78	4YY79	1

Numéro de référence	Description	Numéro de pièce pour le modèle :							Quantité
		4YY17	4YY18	4YY19	4YY20	4YY21	4YY22	5DVL4	
1	Capot	6366366	6366367	6366367	6366363	6366431	6366432	6366365	1
2	Coiffe complète	6366407	6366486	6366486	6366488	6366490	6366492	6366404	1
3	Entraînement	—	—	—	—	—	—	—	—
4	Bâti de moteur	6366401	6366487	6366487	6366489	6366491	6366493	50B882	1
5	Nécessaire isolement	6366402	6366406	6366406	6366406	6366408	6366408	6366402	1
6	Platine support	6366376	6366374	6366374	6366448	6366449	6366455	6366375	1
7	Turbine	6366465	6366461	6366462	6366464	6366481	6366482	6366385	1
8	Grille oiseaux	4YY79	4YY80	4YY80	4YY81	4YY82	4YY83	4YY78	1

Numéro de référence	Description	Numéro de pièce pour le modèle :					Quantité
		6KWJ9	6KWK0	6KWK1	6KWK2	6KWK3	
1	Capot	6366365	6366365	6366366	6366366	6366367	1
2	Coiffe complète	6366404	6366404	6366407	6366407	6366486	1
3	Entraînement	—	—	—	—	—	—
4	Bâti de moteur	6366405	6366405	6366401	6366401	6366487	1
(*)	Bague frottement alu	50J461	50J461	50J461	50J461	50J461	1
5	Nécessaire isolement	6366402	6366402	6366402	6366402	6366406	1
6	Platine support	6366375	6366375	6366376	6366376	6366374	1
7	Turbine	6366393	6366463	53J569	6366465	6366461	1
8	Grille oiseaux	4YY78	4YY78	4YY79	4YY79	4YY80	1

(*) Non représenté. Utilisation avec 6KWJ9 et 6KWK0 à 6KWK3 dans les zones potentiellement dangereuses.

FRANÇAIS

Pour les pièces de rechange, appeler le 1-800-323-0620

24 h/24 – 365 jours par an

Veillez fournir les renseignements suivants :

- Numéro de modèle
- Numéro de série (le cas échéant)
- Description et numéro de pièce indiqués sur la nomenclature des pièces

Nomenclature des pièces de rechange pour pose en toiture avec système d'entraînement, assemblé

Numéro de référence	Description	Numéro de pièce pour le modèle :								Quantité
		1MBE6	1MBE7	1MBE8	1MBE9	3ATT8A	3ATT9A	3ATU1A	3ATU2	
1	Capot	6366365	6366365	6366365	6366366	6366366	6366366	6366366	6366366	1
2	Coiffe complète	6366404	6366404	6366404	6366407	6366407	6366407	6366407	6366407	1
3	Entraînement	—	—	—	—	—	—	—	—	
	Moteur	1AGG1	1AGG2	1AGG3	4YU30	1AGG3	4YU30	4YU38	4YU35	1
	Poulie moteur	3X779	3X779	3X779	3X587	3X276	3X264	3X264	3X276	1
	Courroie	4L230	3VU39	4L230	3VU41	4L270	3VU40	3VU40	4L290	1
	Poulie menée	3X274	3X275	3X264	3X264	3X589	3X583	3X583	3X591	1
	Bague moteur	—	—	—	3X573	3X573	3X573	3X573	3X573	1
4	Bâti de moteur	6366405	60H511	6366405	6366401	6366401	6366401	6366401	6366401	1
5	Nécessaire isolement	6366402	6366402	6366402	6366402	6366402	6366402	6366402	6366402	1
6	Platine support	6366375	6366375	6366375	6366376	6366376	6366376	6366376	6366376	1
7	Turbine	6366386	6366393	6366463	6366465	53J569	53J569	53J569	6366465	1
8	Grille oiseaux	4YY78	4YY78	4YY78	4YY79	4YY79	4YY79	4YY79	4YY79	1

Numéro de référence	Description	Numéro de pièce pour le modèle :								Quantité
		3ATU3	3ATU4	3ATU5	3ATU6	3ATU7	3ATU8	3ATU9	3ATV1	
1	Capot	6366366	6366367	6366367	6366367	6366367	6366367	6366363	6366363	1
2	Coiffe complète	6366407	6366486	6366486	6366486	6366486	6366486	6366488	6366488	1
3	Entraînement	—	—	—	—	—	—	—	—	
	Moteur	4YU38	4YU35	4YU31	4YU39	4YU30	4YU40	4YU31	6XWJ0	1
	Poulie moteur	3X438	3X276	3X276	3X276	3X264	3X438	3X264	3X946	1
	Courroie	6A139	4L310	3X697	3X697	6A140	6A141	6A142	6A145	1
	Poulie menée	3X591	4HZ83	3X589	3X589	4HZ83	4HZ83	4HZ85	3X600	1
	Bague moteur	3X573	3X573	3X573	3X573	3X573	3X573	3X576	3X576	1
4	Bâti de moteur	6366401	6366487	6366487	6366487	6366487	6366487	6366489	6366489	1
5	Nécessaire isolement	6366402	6366406	6366406	6366406	6366406	6366406	6366406	6366406	1
6	Platine support	6366376	6366374	6366374	6366374	6366374	6366374	6366448	6366448	1
7	Turbine	6366465	6366461	6366461	6366461	6366462	6366462	6366464	6366464	1
8	Grille oiseaux	4YY79	4YY80	4YY80	4YY80	4YY80	4YY80	4YY81	4YY81	1

Numéro de référence	Description	Numéro de pièce pour le modèle :						Quantité
		3ATV2	3GY73G	3GY74G	5PV06H	5PV07G	5PV08G	
1	Capot	6366431	6366363	6366431	6366366	6366367	6366367	1
2	Coiffe complète	6366490	6366488	6366490	6366399	6366486	6366486	1
3	Entraînement	—	—	—	—	—	—	
	Moteur	53J909	4YU40	6XWJ0	4YU35	4YU30	4YU31	1
	Poulie moteur	2L486	3X264	3X945	3X263	3X264	3X264	1
	Courroie	6X875	6A116	3X471	3VU40	6A139	6A139	1
	Poulie menée	3X607	3X795	3X604	3X775	3X789	3X791	1
	Bague moteur	3X576	—	—	—	—	—	1
4	Bâti de moteur	6366491	6366489	6366491	6366401	6366487	6366487	1
5	Nécessaire isolement	6366408	6366406	6366408	6366402	6366406	6366406	1
6	Platine support	6366449	6366448	6366449	6366376	6366374	6366374	1
7	Turbine	6366481	6366464	6366481	53J569	6366461	6366462	1
8	Grille oiseaux	4YY82	4YY81	4YY82	4YY79	4YY80	4YY80	1

FRANÇAIS

Tourelles d'extraction à rejet vertical centrifuges à courroie Dayton®

Dépannage

Symptôme	Cause(s) possible(s)	Action corrective
Le tourelle ne fonctionne pas	<ol style="list-style-type: none"> 1. Fusible grillé ou disjoncteur ouvert 2. Moteur défectueux 3. Mauvais câblage 4. Courroie cassée 	<ol style="list-style-type: none"> 1. Changer ou réparer 2. Changer ou réparer 3. COUPER l'alimentation et contrôler le bon raccordement des câbles 4. Changer
Débit d'air insuffisant	<ol style="list-style-type: none"> 1. Gaine obstruée ou filtres colmatés 2. Vitesse trop lente 3. Registre fermé 4. Patinage de la courroie 5. Rotation de la turbine incorrecte 6. Portions de gaine mal emboîtées permettant des fuites d'air 	<ol style="list-style-type: none"> 1. Nettoyer ou changer 2. Vérifier que le moteur est correct 3. Contrôler/réparer 4. Changer/ajuster la tension 5. Contrôler le câblage du moteur 6. Vérifier que les raccords entre les portions de gaine sont bien serrés (appliquer éventuellement du ruban adhésif en toile sur les joints)
Bruit ou vibration excessifs	<ol style="list-style-type: none"> 1. Courroie trop lâche/tendue 2. Paliers lâches ou défectueux 3. Turbine ou poulies desserrées 4. Accumulation de matières sur la turbine 5. Poulies mal alignées 6. Socle de tourelle pas solidement ancré 7. La coiffe de moteur est lâche et vibre 8. Turbine déséquilibrée 	<ol style="list-style-type: none"> 1. Ajuster la tension 2. Changer les paliers 3. Serrer les vis de calage 4. Nettoyer 5. Réaligner 6. Fixer correctement 7. Serrer les écrous borgnes de fixation de la coiffe de moteur 8. Changer la turbine
Surcharge ou surchauffe du moteur	<ol style="list-style-type: none"> 1. Rotation de la turbine trop rapide 2. Bobinage du moteur en court-circuit 3. Rotation de la turbine incorrecte 4. Sur- ou sous-tension secteur 5. Patinage de la courroie 	<ol style="list-style-type: none"> 1. Contrôler le moteur 2. Changer le moteur 3. Contrôler le câblage du moteur 4. Communiquer avec la compagnie d'électricité 5. Serrer la courroie

GARANTIE LIMITÉE

GARANTIE LIMITÉE DE UN AN DE DAYTON. LES MODÈLES TOURELLES D'EXTRACTION À REJET VERTICAL CENTRIFUGES À COURROIE DAYTON®, COUVERTS DANS CE MANUEL SONT GARANTIS À L'UTILISATEUR D'ORIGINE PAR DAYTON ELECTRIC MFG. CO. (DAYTON), CONTRE TOUT DÉFAUT DE FABRICATION OU DE MATÉRIAUX, LORS D'UNE UTILISATION NORMALE, ET CELA PENDANT UN AN APRÈS LA DATE D'ACHAT. TOUTE PIÈCE, DONT LES MATÉRIAUX OU LA MAIN D'OUVRE SERONT JUGÉS DÉFECTUEUX, ET QUI SERA RENVOYÉE PORT PAYÉ, À UN CENTRE DE RÉPARATION AUTORISÉ PAR DAYTON, SERA, À TITRE DE SOLUTION EXCLUSIVE, SOIT RÉPARÉE, SOIT REMPLACÉE PAR DAYTON. POUR LE PROCÉDÉ DE RÉCLAMATION SOUS GARANTIE LIMITÉE, REPORTEZ-VOUS À LA CLAUSE DE « DISPOSITION PROMPTE » CI-DESSOUS. CETTE GARANTIE LIMITÉE DONNE AUX ACHETEURS DES DROITS LÉGAUX SPÉCIFIQUES QUI VARIENT DE JURIDICTION À JURIDICTION.

LIMITES DE RESPONSABILITÉ. LA RESPONSABILITÉ DE DAYTON, DANS LES LIMITES PERMISES PAR LA LOI, POUR LES DOMMAGES INDIRECTS OU FORTUITS EST EXPRESSEMENT DÉNIÉE. DANS TOUS LES CAS LA RESPONSABILITÉ DE DAYTON EST LIMITÉE ET NE DÉPASSERA PAS LA VALEUR DU PRIX D'ACHAT PAYÉ.

DÉSISTEMENT DE GARANTIE. DE DILIGENTS EFFORTS SONT FAITS POUR FOURNIR AVEC PRÉCISION LES INFORMATIONS ET ILLUSTRATIONS DES PRODUITS DÉCRITS DANS CETTE BROCHURE ; CEPENDANT, DE TELLES INFORMATIONS ET ILLUSTRATIONS SONT POUR LA SEULE RAISON D'IDENTIFICATION, ET N'EXPRIMENT NI N'IMPLIQUENT QUE LES PRODUITS SONT COMMERCIALISABLES, OU ADAPTÉS À UN BESOIN PARTICULIER, NI QUE CES PRODUITS SONT NÉCESSAIREMENT CONFORMES AUX ILLUSTRATIONS OU DESCRIPTIONS. SAUF POUR CE QUI SUIT, AUCUNE GARANTIE OU AFFIRMATION DE FAIT, ÉNONCÉE OU IMPLICITE, AUTRE QUE CE QUI EST ÉNONCÉ DANS LA « GARANTIE LIMITÉE » CI-DESSUS N'EST FAITE OU AUTORISÉE PAR DAYTON.

Désistement sur les conseils techniques et les recommandations. Peu importe les pratiques ou négociations antérieures ou les usages commerciaux, les ventes n'incluent pas l'offre de conseils techniques ou d'assistance ou encore de conception de système. Dayton n'a aucune obligation ou responsabilité quant aux recommandations non autorisées, aux opinions et aux suggestions relatives au choix, à l'installation ou à l'utilisation des produits.

Conformité du produit. De nombreuses juridictions ont des codes et règlements qui gouvernent les ventes, constructions, installations et/ou utilisations de produits pour certains usages qui peuvent varier par rapport à ceux d'une zone voisine. Bien que Dayton essaie de s'assurer que ses produits s'accordent avec ces codes, Dayton ne peut garantir cet accord, et ne peut être jugée responsable pour la façon dont le produit est installé ou utilisé. Avant l'achat et l'usage d'un produit, revoir les applications de ce produit, ainsi que tous les codes et règlements nationaux et locaux applicables, et s'assurer que le produit, son installation et son usage sont en accord avec eux.

Certains aspects de désistement ne sont pas applicables aux produits pour consommateur ; ex : (a) certaines juridictions ne permettent pas l'exclusion ou la limitation des dommages indirects ou fortuits et donc la limitation ou exclusion ci-dessus peut ne pas s'appliquer dans le cas présent ; (b) également, certaines juridictions n'autorisent pas de limitations de durée de la garantie implicite, en conséquence, la limitation ci-dessus peut ne pas s'appliquer dans le cas présent ; et (c) par force de loi, pendant la période de cette Garantie Limitée, toutes garanties impliquées de commerciabilité ou d'adaptabilité à un besoin particulier applicables aux produits de consommateurs achetés par des consommateurs, peuvent ne pas être exclues ni autrement désistées.

Disposition prompt. Un effort de bonne foi sera fait pour corriger ou ajuster rapidement tout produit prouvé défectueux pendant la période de la garantie limitée. Pour tout produit considéré défectueux pendant la période de garantie limitée, contacter tout d'abord le concessionnaire où l'appareil a été acheté. Le concessionnaire doit donner des instructions supplémentaires. S'il est impossible de résoudre le problème de façon satisfaisante, écrire à Dayton à l'adresse ci-dessous, en indiquant le nom et l'adresse du concessionnaire, la date et le numéro de la facture du concessionnaire, et en décrivant la nature du défaut. Le titre et le risque de perte passent à l'acheteur au moment de la livraison par le transporteur. Si le produit a été endommagé pendant le transport, une réclamation doit être faite auprès du transporteur.

Fabriqué pour Dayton Electric Mfg. Co., 5959 W. Howard St., Niles, Illinois 60714-4014 États-Unis

Fabriqué pour Dayton Electric Mfg. Co.
Niles, Illinois 60714 États-Unis

Dayton®

FRANÇAIS

Notes/Notas/Notes

A series of horizontal lines providing space for notes in three languages.

**E
N
G
L
I
S
H**

**E
S
P
A
Ñ
O
L**

**F
R
A
N
Ç
A
I
S**

