

GEORGE FOREMAN®

THE LEAN MEAN FAT REDUCING GRILLING MACHINE™

Please Read and Save this Use and Care Book

Por favor lea este instructivo antes de usar el producto



Models Modelos

- GRP93G
- GRP94WB
- GRP94WR
- GRP90WGR
- GRP90WGPO
- GRP90WGWQ
- GRP93GQ
- GRP90WGW
- GRP90WGB
- GRP90WGBQ
- GRP90WGRQ
- GRP90WGP



The Next Grillation™
GRILL



USA/Canada 1-800-231-9786

www.prodprotect.com/applica

Accessories/Parts (USA/Canada)
Accesorios/Partes (EE.UU./Canadá)

1-800-738-0245

IMPORTANT SAFEGUARDS

When using electrical appliances, basic safety precautions should always be followed, including the following:

- Read all instructions.
- Do not touch hot surfaces. Use handles or knobs.
- To protect against electrical shock do not immerse cord, plugs or appliance (except removable plates) in water or other liquid.
- Close supervision is necessary when any appliance is used by or near children.
- Unplug from outlet when not in use and before cleaning. Allow to cool before putting on or taking off parts, and before cleaning the appliance..
- Do not operate any appliance with a damaged cord or plug, or after the appliance malfunctions or has been damaged in any manner. Return appliance to the nearest authorized service facility for examination, repair or adjustment. Or, call the appropriate toll-free number on the cover of this manual.
- The use of accessory attachments not recommended by the appliance manufacturer may cause injuries.
- Do not use outdoors.
- Do not let cord hang over edge of table or counter, or touch hot surfaces.
- Do not place on or near a hot gas or electric burner, or in a heated oven.
- Extreme caution must be used when moving an appliance containing hot oil or other hot liquids.
- Be sure removable plates are assembled and fastened properly.
- To disconnect, turn any control to OFF, then remove plug from wall outlet.
- Do not use this appliance for other than intended use.

SAVE THESE INSTRUCTIONS.

This product is for household use only.

POLARIZED PLUG (120V Models Only)

This appliance has a polarized plug (one blade is wider than the other). To reduce the risk of electric shock, this plug is intended to fit into a polarized outlet only one way. If the plug does not fit fully into the outlet, reverse the plug. If it still does not fit, contact a qualified electrician. Do not attempt to modify the plug in any way.

TAMPER-RESISTANT SCREW

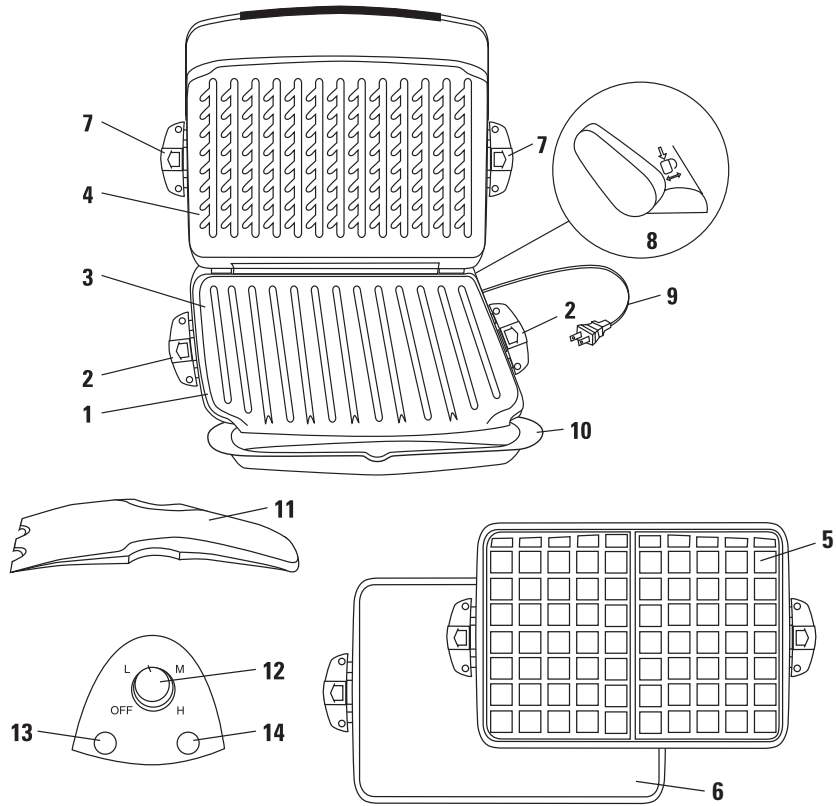
Warning: This appliance is equipped with a tamper-resistant screw to prevent removal of the outer cover. To reduce the risk of fire or electric shock, do not attempt to remove the outer cover. There are no user-serviceable parts inside. Repair should be done only by authorized service personnel.

ELECTRICAL CORD

- a) A short power-supply cord (or detachable power-supply cord) is to be provided to reduce the risk resulting from becoming entangled in or tripping over a longer cord.
- b) Longer detachable power-supply cords or extension cords are available and may be used if care is exercised in their use.
- c) If a long detachable power-supply cord or extension cord is used,
 - 1) The marked electrical rating of the detachable power-supply cord or extension cord should be at least as great as the electrical rating of the appliance,
 - 2) If the appliance is of the grounded type, the extension cord should be a grounding-type 3-wire cord, and
 - 3) The longer cord should be arranged so that it will not drape over the countertop or tabletop where it can be pulled on by children or tripped over.

Note: If the power supply cord is damaged, it should be replaced by qualified personnel. In Latin America, by an authorized service center.

Product may vary slightly from what is illustrated,



1. Appliance body
2. Lower plate and/or pan release handles
- † 3. Grill plate (Part # 22740)
- † 4. Steak plate (Part # 22741)
- † 5. Waffle plates (Part # 22743L (lower)), (Part #22743U (upper))
- † 6. Baking pan (Part # 22742)
7. Upper plate release handles
8. Plate position lock lever
9. Power Cord
- † 10. Drip Tray (Part # 22619)
- † 11. Plastic spatula (Part # 22545)
12. Adjustable temperature control
13. Power light (red)
14. Indicator light (green)

Note: † indicates consumer replaceable/removable parts

Plate Chart

Plate	Included	Part #	Models
Grill Plate	1	22740	GRP90WGR GRP90WGPQ GRP90GWQ GRP93G GRP94WB GRP94WR
Steak Plate	1	22741	GRP90WGR GRP90WGPQ GRP90GWQ GRP93G GRP94WB GRP94WR
Waffle Plates	2	22743L (lower) 22743U (upper)	GRP90WGR GRP90WGPQ GRP90GWQ GRP94WB GRP94WR
Baking Pan	1	22742	GRP90WGR GRP90WGPQ GRP90GWQ GRP93G

How To Use Your George Foreman® Grill

1. Before using the grill for the first time, wipe the grill plates and baking pan with a damp cloth to remove all dust.
2. **Attach the Plates or Baking Pan:** Your grill comes with a combination of up to 5 heating plates — 1 grill plate, 1 steak plate, 2 waffle plates, 1 baking pan. Securely attach the plates in the top and bottom of the appliance using the release handles on each side of the plates and pan (see Plate Chart on page 4). The baking pan should only be attached to the bottom of the appliance. Use the lock lever in either the back, locked position or front, locked position. The back, locked position is for level cooking of foods. The front, locked position is for sloped cooking. Liquid will drain into the drip tray when in the front, locked position.

Note: When attaching the plates or baking pan, carefully and securely attach each into the appliance using the release handles on the plates or pan.

3. **To Preheat:** Close the lid and plug the cord into outlet. Turn the adjustable temperature control from Off to L (Low), M (Medium) or H (High) temperature as desired. The power light (red) and indicator light (green) will turn on. See the **Suggested Cooking Chart** for specific temperature settings. When the appliance is preheated, the indicator light (green) will go off.

Note: When the correct temperature is reached for preheating, the power light will be on although the indicator light will turn off.

4. Use a pot holder to carefully open the lid.
5. Slide the grease-catching drip tray under the front of the unit.
6. Carefully place or pour the food to be cooked on the bottom plate or pan.
7. Close the lid and allow the food to cook for the desired time. **Do not leave the unit unattended during use! Reminder: The heat continues to be on until the appliance is turned to the off position.**
8. After the desired amount of cooking time, the food should be done.
9. Turn the adjustable temperature control to the off position. Disconnect the plug from the wall outlet.

Caution: To avoid any sparks at the outlet while disconnecting the plug, make sure the power is off before disconnecting the plug from the outlet.

10. Use a pot holder to carefully open the lid.
11. Remove the food using the plastic spatula provided. Be sure to always use either plastic or wooden utensils to avoid scratching the nonstick surface of the plates and pan. Never use metal tongs, forks or knives as these can damage the coating on the plates and pan.

12. When cool, the drip tray may be removed and emptied. **Be sure the liquid has cooled before removing the drip tray.**

Note: Do not remove or change the plates or baking pan while the unit is hot. The appliance must cool completely before removing or changing the plates or pan.

Suggested Cooking Chart

The following times are meant to be used as guidelines only. Times will vary due to the cut or thickness of the food being cooked. To be sure that the food is truly done, use a cooking thermometer. If more cooking time is needed, reset the adjustable temperature control and check the food periodically to avoid overcooking.

Food	Minutes	Setting	Notes
Beef, Lamb, Pork			
Beef flank steak	5-6	High	sliced thinly to serve
Beef hamburger, 4 oz.	3-5	High	¾ -inch thick
Beef kebabs	5-7	Med	1-inch pieces
Beef ribeye	5-7	High	
Beef ribs, short ribs	7-8	High	parboil first
Beef tenderloin	4-6	High	
Lamb, ground	3-4	High	
Lamb kebabs	6-8	Med	1-inch pieces
Lamb loin chops	7-9	High	
Bacon	10-13	High	Baking Pan
Bacon	7-8	High	Grilling Plate
Ham	2-4	Med	fully cooked, ½-inch thick slice
Pork loin chops	6-7	High	¾-inch thick
Pork center cut chops	3-4	High	½-inch thick
Pork, ground	3-4	High	
Ribs, baby back ribs	4-6	High	parboil first
Sausage	4-6	Med	lowfat, link or patty style

Food	Minutes	Setting	Notes
Poultry			
Chicken breasts	6-8	High	boneless/skinless
Chicken kebabs	6-8	Med	1-inch pieces
Chicken thighs	6-7	High	
Turkey, ground	8-9	High	
Turkey breast	4-5	High	boneless/skinless
Seafood			
Fish steak (firm)	6-8	High	½-1 inch thick
Fish kebabs	6-8	Med	1-inch pieces
Fish fillet	3-5	High	
Scallops	4-6	Med	
Shrimp - medium	1½-2½	High	
Trout	3-5	High	
Sandwiches & Snacks			
Cheese or ham sandwich	2-3	High	
Tuna melt, rueben or roast beef	3-4	Med	
Single serving pizza (7-inch)	8-10	Med	Baking Pan
French fries - reg cut	12-14	High	Baking Pan
Chicken nuggets	5-7	High	Baking Pan
Mini quiche	12-14	Med	Baking Pan
Waffles	3-5	High	2/3 cup batter
Burrito	8-10	Med	Baking Pan
Taquitos	6-8	High	Baking Pan

Food	Minutes	Setting	Notes
Fruit & Vegetables			
Apple	2-3	Med	½-inch slices
Asparagus	4-5	Med	lengthwise
Bananas	1-2	Med	sliced lengthwise
Carrots	6-8	Med	½-inch thick slices
Eggplant	8-10	Med	¼-½ inch thick slices
Onions	2-3	High	thinly sliced
Peaches	1-2	Med	cut in half or sliced
Peppers	4-5	High	thinly sliced
Pineapple	2-3	Med	½-inch thick slices
Potatoes, baking	7-8	High	¼-½ inch thick slices
Potatoes, red	7-8	High	¼-½ inch thick slices
Squash	7-9	Med	¼-½ inch thick slices

NOTE: The United States Department of Agriculture recommends that meat and poultry be cooked to the following internal temperatures to be sure any harmful bacteria have been killed. Ground turkey and chicken should be cooked to an internal temperature of 165° F and ground beef, veal, lamb and pork be cooked to an internal temperature of 160°F (71°C). Chicken and turkey should be cooked to an internal temperature of 170°F (76°C) F for white meat and 180°F (82°C) for dark meat. Goose and duck should be cooked to an internal temperature of 180°F (82°C). Fresh beef, veal and lamb, etc. should be cooked to an internal temperature of at least 145°F (62°C). Fresh pork should be cooked to an internal temperature of at least 160°F (71°C). When re-heating meat and poultry products, they should also be cooked to an internal temperature of 165°F (73°C).

Recipes

Fresh Home-Baked Biscuits

2 cup all-purpose white flour
 2½ tsp. baking powder
 ½ tsp. salt
 5 tbsp. lowfat margarine
 ¾ cup lowfat milk

Mix the flour, baking powder and salt. Mix the margarine into the flour mixture until it resembles coarse crumbs. Add the milk. Stir with a fork until the dough forms a ball. Place on a floured surface. Knead the dough about 10 times. Roll the dough into a circle about ¼-inch thick. Use a 2 to 3-inch round cutter to cut out circles.

Place the steak plate in the top of the unit and the baking pan in the bottom. Set the lock lever to the back, locked position. Set the temperature to Medium and preheat. Place the biscuits in the pan 1 inch apart. Close the lid. Bake 6-8 minutes. Makes 8 to 12 biscuits.

Sunny Eggs & Bacon

4 pieces smoked turkey bacon
 2 eggs
 ½ tsp. black pepper

Place the steak plate in the top of the grill and the baking pan in the bottom. Set the Lock Lever to the back, locked position. Place the bacon in the grill. Set the temperature to High. Do not preheat. Close the lid. Grill the bacon for 10-13 minutes. Drain the bacon on paper towels. Break the eggs into the grill and dust with pepper. Close the Lid and cook for 1 minute. Open the lid and flip the eggs. Close the lid and cook as desired: 1 minute for over-easy eggs, 1½ minutes for over-medium eggs, and 2 minutes for over-hard eggs. Transfer the eggs to individual plates and serve with crispy bacon. Serves 2.

Tenderloin Steaks with Grilled Mushrooms & Blue Cheese

4 oz. fresh mushrooms, sliced (or 4 oz. can sliced mushrooms)

1 strip turkey bacon, cut into 4 pieces

4, 4 oz. beef tenderloin steaks

salt and black pepper

4 tsp. blue cheese, crumbled (substitute gorgonzola cheese)

Place the steak plate in the top of the unit and the grill plate in the bottom. Set the lock lever to the front, locked position. Set the temperature to High and preheat. Place the mushrooms on the grill plate and top with the bacon. Close the lid. Cook for 8 minutes. Cook until the bacon is crisp and mushrooms are browned. Discard the bacon. Remove the mushrooms and keep warm. Dust the steaks with salt and pepper to taste. Close the lid. Grill the steaks for 4 minutes. Check the steaks and continue grilling if needed. To serve, top each steak with 1 teaspoon of the cheese and the mushrooms.

Serves 4.

Greek Oregano Chicken

¼ cup extra-virgin olive oil

2 tbsp. fresh lemon juice

3 tbsp. dried Greek oregano

1 clove garlic, minced

1 tsp. black pepper

½ tsp. salt

4 halves boneless, skinless chicken breasts

Combine all ingredients except the chicken in a self-sealing plastic bag. Add the chicken breasts and turn to coat. Refrigerate 1 to 4 hours. Place the steak plate in the top of the unit and the grill plate in the bottom. Set the lock lever to the front, locked position. Set the temperature to Medium and preheat. Close the lid. Cook the chicken for 6 minutes. Discard the marinade. Check the chicken continue grilling until no pink remains and the internal temperature of the meat reaches 180°F. (82°C)

Serves 4.

Grilled Halibut with Citrus-Caper Sauce

2 tbsp. lowfat margarine

2 tbsp. extra-virgin olive oil

¼ cup fresh lemon juice

¼ cup fresh orange juice

¼ tsp. Dijon mustard

2 tbsp. capers, drained

4, 6 oz. halibut steaks

1 tsp. lemon pepper

2 tbsp. fresh Italian parsley, chopped

In a small saucepan, melt the margarine with the oil over low heat. Add the lemon juice, orange juice, mustard and capers. Blend and simmer 2-3 minutes. Place the steak plate in the top of the unit and the grill plate in the bottom. Set the lock lever to the front, locked position. Set the temperature to Medium and preheat. Place the steaks on the grill plate and sprinkle with lemon pepper. Cook for 7 minutes. Check and continue grilling if necessary. To serve, top each steak with sauce and fresh parsley.

Serves 4.

Chocolate Chip Cookies

2½ cup all-purpose flour

1 tsp. baking soda

1 cup lowfat margarine, softened

¾ cup packed brown sugar

½ cup white sugar

2 eggs

1 tsp. vanilla extract

12 oz. pkg. semisweet chocolate chips

Mix together the flour and baking soda; set aside. In a large bowl, mix the margarine and sugars until light and fluffy. Add the eggs and vanilla; stir again. Add the flour mixture and stir until a smooth batter forms. Fold in the chips. Place the steak plate in the top of the unit and the baking pan in the bottom. Set the lock lever to the back, locked position. Set the temperature to Medium and preheat. Drop the cookies by teaspoons, 2 inches apart, in the baking pan. Flatten each cookie with the back of a spoon. Close the lid. Bake 6-8 minutes. Remove cookies with a plastic spatula and cool. Cookies will be soft until cooled. Repeat with the remaining dough.

Makes about 40 cookies.

User Maintenance Instructions

Caution: To avoid accidental burns, allow your appliance to cool thoroughly before cleaning.

1. Before cleaning, unplug the appliance from the wall outlet and allow to cool.

Caution: To avoid any sparks at the outlet while disconnecting the plug, make sure the power is off before disconnecting the plug from the outlet.

2. **Inside cleaning:** Place the drip tray under the appliance. To clean the plates, use the specially designed Spatula to scrape off any excess fat and food particles. Wipe the plates dry with a paper towel or sponge. Run off will drip into the drip Tray. To clean the baking pan, use the specially designed spatula to scrape off any remaining food particles. Wipe the pan dry with a paper towel or sponge.
3. Empty the drip tray and wash with warm, soapy water. The plates and baking Pan may be removed from the unit by pulling out on the release handles. Wash in warm, soapy water and dry thoroughly. Reinstall the plates or pan, making sure they are securely attached to the appliance. The removable plates and pan are also dishwasher safe. After washing the plates in the dishwasher, wipe the uncoated side with a dry towel to prevent discoloration. Dishwasher detergent may cause oxidation on the uncoated side of the cooking plate. This is not harmful and can be wiped off with a damp towel.
4. **Stubborn build-up:** Use a non-metallic scrubbing pad to clean the plates.
5. **Outside cleaning:** Wipe with a warm, wet sponge and dry with a soft, dry cloth.
6. Do not use steel wool, scouring pads, or abrasive cleaners on any part of the appliance.
7. **DO NOT IMMERSE THE BODY OF THE APPLIANCE IN WATER OR OTHER LIQUID.**
8. Any servicing requiring disassembly other than the above cleaning must be performed by a qualified electrician.
9. Make sure to hold the top cover (lid) by hand while cleaning to prevent accidental closing and injury.

INSTRUCCIONES IMPORTANTES DE SEGURIDAD

Cuando se usan aparatos electricos, siempre se deben respetar las siguientes medidas basicas de seguridad:

- Por favor lea todas las instrucciones.
- No toque las superficies calientes. Use las asas o las perillas.
- A fin de protegerse contra un choque electrico y lesiones a las personas, no sumerja el cable, los enchufes ni el aparato (con excepci3n de las placas desmontables) en agua ni en ningun otro liquido.
- Todo aparato electrico usado en la presencia de los ninos o por ellos mismos requiere la supervision de un adulto.
- Desconecte el aparato de la toma de corriente cuando no este en uso y antes de limpiarlo. Espere que el aparato se enfrie antes de instalarle o retirarle piezas y antes de limpiarlo.
- No use ningun aparato electrico que tenga el cable o el enchufe averiado, que presente un problema de funcionamiento o que este danado. Acuda a un centro de servicio autorizado para que lo examinen, reparen o ajusten o llame gratis al numero correspondiente en la cubierta de este manual.
- El uso de accesorios no recomendados por el fabricante del aparato puede ocasionar incendio, choque electrico o lesiones a las personas.
- No use este aparato a la intemperie.
- No permita que el cable cuelgue del borde de la mesa o del mostrador ni que entre en contacto con superficies calientes.
- No coloque el aparato sobre ni cerca de las hornillas de gas o electricas ni adentro de un horno caliente.
- Tome mucha precaucion al mover de un lugar a otro un aparato que contenga aceite u otros liquidos calientes.
- Asegurese de que las placas desmontables esten colocadas y ajustadas correctamente.
- Para desconectar, ajuste todo control a la posicion de apagado (OFF) y despues, retire el enchufe de la toma de corriente.
- Este aparato se debe usar unicamente con el fin previsto.

CONSERVE ESTAS INSTRUCCIONES.

Este aparato eléctrico es para uso doméstico solamente.

ENCHUFE POLARIZADO (Solamente para los modelos de 120V)

Este aparato cuenta con un enchufe polarizado (un contacto es más ancho que el otro). A fin de reducir el riesgo de un choque eléctrico, este enchufe encaja en una toma de corriente polarizada en un solo sentido. Si el enchufe no entra en la toma de corriente, inviértalo y si aun así no encaja, consulte con un electricista. Por favor no trate de alterar esta medida de seguridad.

TORNILLO DE SEGURIDAD

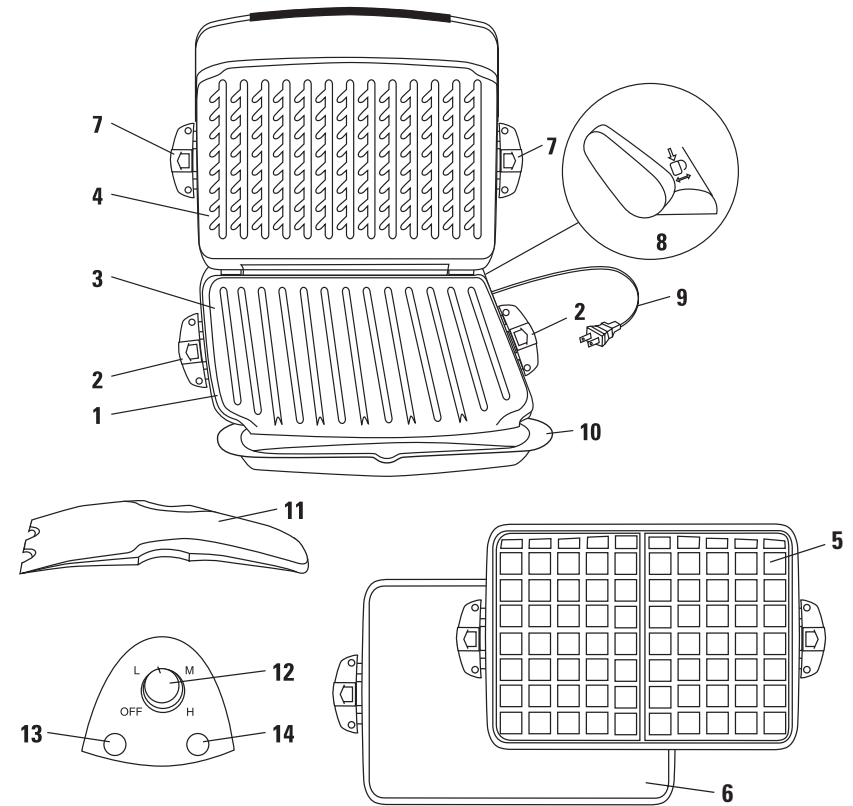
Advertencia: Este aparato cuenta con un tornillo de seguridad para evitar la remoción de la cubierta exterior del mismo. A fin de reducir el riesgo de incendio o de choque eléctrico, por favor no trate de remover la cubierta exterior. Este producto no contiene piezas reparables por el consumidor. Toda reparación se debe llevar a cabo únicamente por personal de servicio autorizado.

CABLE ELÉCTRICO

- El producto se debe proporcionar con un cable eléctrico corto (o uno separable), a fin de reducir el riesgo de tropezar o de enredarse en un cable más largo.
- Existen cables eléctricos más largos y separables o cables de extensión que uno puede utilizar si toma el cuidado debido.
- Si se utiliza un cable separable o de extensión,
 - El régimen nominal del cable separable o del cable de extensión debe ser, como mínimo, igual al del régimen nominal del aparato.
 - Si el aparato es de conexión a tierra, el cable de extensión debe ser un cable de tres alambres de conexión a tierra.
 - Uno debe acomodar el cable más largo de manera que no cuelgue del mostrador o de la mesa, para evitar que un niño tire del mismo o que alguien se tropiece.

Nota: Si el cordón de alimentación es dañado, en América Latina debe sustituirse por personal calificado o por el centro de servicio autorizado.

El producto puede variar ligeramente del que aparece ilustrado aquí.



- Carcasa del aparato
- Placa inferior y/o palancas de liberación de la bandeja
- † Placa de asar (Pieza N° 22740)
- † Placa para filetes (Pieza N° 22741)
- † Placas para waffles (Pieza N° 22743L (inferior)), (Pieza N° 22743U (superior))
- † Bandeja para hornear (Pieza N° 22742)
- Palancas de liberación de la placa superior
- Palanca de bloqueo de placas
- Cable
- † Bandeja de goteo (Pieza N° 22619)
- † Espátula de plástico (Pieza N° 22545)
- Control de temperatura ajustable
- Luz indicadora de encendido (roja)
- Luz indicadora (verde)

Nota: † indica piezas desmontables/reemplazables por el consumidor

Cuadro de las placas

Placa	Incluída(s)	Pieza N°	Modelos
Placa de asar	1	22740	GRP90WGR GRP90WGPO GRP90WGWQ GRP93G GRP94WB GRP94WR
Placa para filetes	1	22741	GRP90WGR GRP90WGPO GRP90WGWQ GRP93G GRP94WB GRP94WR
Placas para waffles	2	22743L (inferior) 22743U (superior)	GRP90WGR GRP90WGPO GRP90WGWQ GRP94WB GRP94WR
Bandeja para hornear	1	22742	GRP90WGR GRP90WGPO GRP90WGWQ GRP93G

Como usar la parrilla George Foreman®

1. Antes de usar la parrilla por primera vez, limpie todas las placas y la bandeja para hornear con un paño húmedo para eliminar el polvo.
2. **Coloque las placas o la bandeja para hornear:** Su parrilla cuenta con una combinación de hasta 5 placas calefactoras: 1 placa para asar, 1 placa para filetes, 2 placas para waffles y 1 bandeja para hornear (consulte el Cuadro de las placas en la página 17). Coloque las placas en la parte superior e inferior del aparato. Para ello, utilice las palancas de liberación a ambos lados de las placas y de la bandeja. La bandeja para hornear sólo debe colocarse en la parte inferior del aparato. Use la palanca de bloqueo en la posición de traba frontal o posterior. La posición de traba posterior se usa para cocinar en forma horizontal. La posición de traba frontal se usa para cocinar en forma inclinada. En esta posición, el líquido se recoge en la bandeja de goteo.

Nota: Al colocar las placas o la bandeja para hornear, asegúrelas con cuidado en el aparato mediante las palancas de liberación.

3. **Para precalentar:** Cierre la tapa y conecte el cable a la toma de corriente. Gire el control de temperatura ajustable desde la posición de apagado (0) a la temperatura baja (BAJA), media (MEDIA) o alta (ALTA), según lo desee. Las luces de encendido (roja) e indicadora (verde) se encenderán. Consulte la **Tabla de cocción sugerida** para conocer temperaturas específicas. Cuando el aparato se precalienta, la luz indicadora (verde) se apaga.

Nota: Al llegar a la temperatura de precalentamiento correcta, la luz de encendido estará encendida pero la luz indicadora no lo estará.

4. Abra cuidadosamente la tapa con una agarradera.
5. Coloque la bandeja de goteo de grasa debajo y al frente del aparato.
6. Coloque cuidadosamente los alimentos que se van a cocinar en la placa o bandeja inferior.
7. Cierre la tapa y cocine los alimentos durante el tiempo deseado. Preste atención al aparato durante su uso. Recordatorio: El aparato continuará emitiendo calor hasta que se apague.
8. Después del tiempo de cocción deseado, el alimento debería estar listo.
9. Gire el control de temperatura ajustable a la posición de apagado (0). Desconecte el enchufe de la toma de corriente.

Precaución: Para evitar que se produzcan chispas en el enchufe mientras se desconecta el aparato, asegúrese de que esté apagado antes de desconectarlo.

10. Abra cuidadosamente la tapa con una agarradera.
11. Retire los alimentos con la espátula de plástico proporcionada. Asegúrese de utilizar siempre utensilios de plástico o madera para evitar raspar la superficie de las placas o la bandeja. Nunca utilice pinzas de metal, tenedores o cuchillos ya que pueden dañar el revestimiento de las placas o la bandeja.
12. Cuando se enfría, la bandeja de goteo puede retirarse y vaciarse. **Asegúrese de que el líquido se haya enfriado antes de retirar la bandeja de goteo.**

Nota: No retire ni cambie las placas o la bandeja para hornear mientras el aparato esté caliente. Permita que el aparato se enfríe por completo antes de hacerlo.

Tabla de tiempos de cocción sugeridos

Los tiempos de cocción siguientes sólo deben usarse como guía. Los tiempos varían en función del corte o espesor de los alimentos que se van a cocinar. Para asegurarse de que el alimento esté listo, utilice un termómetro. Si es necesario más tiempo de cocción, vuelva a seleccionar la temperatura y controle los alimentos periódicamente para evitar que se cocinen demasiado.

Alimento	Minutos	Temperatura	Notas
Carne vacuna, cordero, cerdo			
Vacío de vaca	5-6	Alta	Cortada en rodajas finas para servir
Carne vacuna molida, 115 g	3-5	Alta	2 cm de espesor
Brocheta de carne vacuna	5-7	Media	Pedazos de 1 pulgada
Chuletón	5-7	Alta	
Costillas	7-8	Alta	Dar un hervor primero
Lomo vacuno	4-6	Alta	
Cordero molido	3-4	Alta	
Brochetas de cordero	6-8	Media	Pedazos de 2,5 cm
Chuletas de cordero	7-9	Alta	
Tocino	10-13	Alta	Bandeja para hornear
Tocino	7-8	Alta	Placa de asar
Jamón	2-4	Media	Totalmente cocido, rodaja de 1 cm de espesor
Chuletas de cerdo	6-7	Alta	2 cm de espesor
Chuletas de corte central de cerdo	3-4	Alta	1 cm (½ pulgada) de espesor
Cerdo molido	3-4	Alta	
Costillas, costillar de cerdo	4-6	Alta	Dar un hervor primero
Salchicha	4-6	Media	De bajo contenido graso, chorizo o tipo hamburguesa

Alimento	Minutos	Temperatura	Notas
Aves			
Pechugas de pollo	6-8	Alta	Sin huesos ni piel
Brochetas de pollo	6-8	Media	Pedazos de 2,5 cm
Muslos de pollo	6-7	Alta	
Pavo molido	8-9	Alta	
Pechuga de pavo	4-5	Alta	Sin huesos ni piel
Mariscos			
Filet de pescado (firme)	6-8	Alta	1-2,5 cm de espesor
Brochetas de pescado	6-8	Media	Pedazos de 2,5 cm
Filete de pescado	3-5	Alta	
Vieiras (ostiones)	4-6	Media	
Camarones medianos	1½-2½	Alta	
Trucha	3-5	Alta	
Sandwiches y tentempiés			
Sandwich de queso o jamón	2-3	Alta	
Atún con queso derretido, Reuben o rosbif	3-4	Media	
Porción individual de pizza (20 cm)	8-10	Media	Bandeja para hornear
Papas fritas – corte común	12-14	Alta	Bandeja para hornear
Nuggets de pollo	5-7	Alta	Bandeja para hornear
Mini-quiche	12-14	Media	Bandeja para hornear
Waffles	3-5	Alta	160 ml de masa
Burrito	8-10	Media	Bandeja para hornear
Taquitos	6-8	Alta	Bandeja para hornear

Alimento	Minutos	Temperatura	Notas
Frutas y vegetales			
Manzanas	2-3	Media	Rodajas de 1 cm
Espárragos	4-5	Media	A lo largo
Bananas	1-2	Media	Cortadas a lo largo
Zanahorias	6-8	Media	Rodajas de 1 cm de espesor
Berenjena	8-10	Media	Rodajas de ½ a 1 cm de espesor
Cebollas	2-3	Alta	Rodajas finas
Duraznos	1-2	Media	Cortados a la mitad o en rodajas
Pimientos	4-5	Alta	Rodajas finas
Piña	2-3	Media	Rodajas de 1 cm de espesor
Papas, para horno	7-8	Alta	Rodajas de ½ a 1 cm de espesor
Papas rojas	7-8	Alta	Rodajas de ½ a 1 cm de espesor
Calabaza	7-9	Media	Rodajas de ½ a 1 cm de espesor

NOTA: El Departamento de Agricultura de los Estados Unidos recomienda cocinar carnes y aves a las siguientes temperaturas internas para asegurar que se eliminen bacterias dañinas. La carne molida de pavo y pollo debe cocinarse a una temperatura interna de 73° C (165° F). La carne molida de vaca, ternera, cordero y cerdo debe cocinarse a una temperatura interna de 71° C (160° F). El pollo y el pavo deben cocinarse a una temperatura interna de 76° C (170° F) (carne blanca) y 82° C (180° F) (carne oscura). El ganso y el pato deben cocinarse a una temperatura interna de 82° C (180° F). La carne fresca de vaca, ternera, cordero, etc. debe cocinarse a una temperatura interna mínima de 145° F. El cerdo fresco debe cocinarse a una temperatura interna mínima de 63° C (160° F). Al recalentar carnes y aves, también deben cocinarse a una temperatura interna de 73° C (165° F).

Recetas

Bizcochitos caseros frescos

475 ml de harina común

12 ml de bicarbonato de sodio

2,5 ml de sal

75 ml de margarina baja en grasa

175 ml de leche semidescremada

Mezcle la harina, el bicarbonato de sodio y la sal. Agregue la margarina y mezcle todo hasta que logre una consistencia granulosa. Agregue la leche. Mezcle con un tenedor hasta que la masa se convierta en una bola. Colóquela en una superficie enharinada. Amase la masa aproximadamente 10 veces y estírela a un círculo de 1/2 cm de espesor. Corte la masa en círculos con un molde redondo de entre 5 y 10 cm. Coloque la placa para filetes en la parte superior de la parrilla y la bandeja para hornear en la parte inferior. Coloque la palanca de bloqueo en la posición de traba posterior. Seleccione la temperatura media y precaliente el aparato. Coloque los bizcochitos en la bandeja a una pulgada de distancia entre ellos. Cierre la tapa. Hornee entre 6 y 8 minutos.

Rinde 8 a 12 bizochitos.

Huevos fritos con tocino

4 fetas de tocino de pavo ahumado

2 huevos

2,5 ml de pimienta negra

Coloque la placa para filetes en la parte superior de la parrilla y la bandeja para hornear en la parte inferior. Coloque la palanca de bloqueo en la posición de traba posterior. Coloque el tocino en la parrilla. Seleccione la temperatura alta. No es necesario precalentar el aparato. Cierre la tapa. Cocine el tocino entre 10 y 13 minutos. Escurra el tocino sobre toallas de papel. Rompa los huevos en la parrilla y espolvoréelos con pimienta. Cierre la tapa y cocínelos durante 1 minuto. Abra la tapa y dé vuelta los huevos. Cierre la tapa y cocínelos como prefiera: 1 minuto para huevos volteados pero no muy cocidos, 1½ minutos para huevos volteados y medianamente cocidos y 2 minutos para huevos volteados y totalmente cocidos. Transfiera los huevos a platos individuales y sívalos con el tocino crocante.

Rinde 2 porciones.

Bifes de lomo con hongos a la parrilla y queso azul

115 gramos de hongos frescos en rodajas

(pueden ser enlatados)

1 feta de tocino de pavo, cortada en 4 pedazos

4 bifos de lomo vacuno de 115 gramos cada uno

Sal y pimienta negra

20 ml de queso azul desmenuzado

(puede sustituirse por queso gorgonzola)

Coloque la placa para filetes en la parte superior de la parrilla y la de asar en la parte inferior. Coloque la palanca de bloqueo en la posición de traba frontal. Seleccione la temperatura alta y precaliente el aparato. Coloque los hongos en la placa de asar con tocino por encima. Cierre la tapa. Cocínelos durante 8 minutos, hasta que el tocino esté crocante y los hongos estén tostados. Descarte el tocino. Retire los hongos y manténgalos calientes. Condimente los bifos con sal y pimienta de acuerdo con su gusto. Cierre la tapa. Cocine los bifos durante 4 minutos. Controle la cocción y continúe asando si es necesario. Para servir, coloque 5 ml de queso y hongos sobre los bifos.

Rinde 4 porciones.

Pollo al orégano griego

60 ml de aceite de oliva extra virgen

30 ml de jugo de limón fresco

45 ml de orégano griego seco

1 diente de ajo picado

5 ml de pimienta negra

2,5 ml de sal

4 mitades de pechuga de pollo sin piel ni huesos

Combine todos los ingredientes excepto el pollo en una bolsa de plástico con cierre. Agregue el pollo y sacuda la bolsa para que quede cubierto. Refrigere entre 1 y 4 horas. Coloque la placa para filetes en la parte superior de la parrilla y la de asar en la parte inferior. Coloque la palanca de bloqueo en la posición de traba frontal. Seleccione la temperatura mediana y precaliente el aparato. Cierre la tapa. Cocine el pollo durante 6 minutos. Descarte el adobo. Controle el pollo y continúe cocinando hasta que no tenga partes rosadas y la temperatura interna de la carne sea de 82° C (180° F).

Rinde 4 porciones.

Lenguado a la parrilla con salsa de cítricos y alcaparras

30 ml de margarina baja en grasa

30 ml de aceite de oliva extra virgen

60 ml de jugo de limón fresco

60 ml de jugo de naranja fresco

1,3 ml de mostaza Dijon

30 ml de alcaparras sin líquido

4 filetes de lenguado de 170 gramos

5 ml de pimienta de limón

30 ml de perejil italiano fresco y picado

Derrita la margarina y el aceite en una olla pequeña a fuego lento. Agregue el jugo de limón, el de naranja, la mostaza y las alcaparras. Mezcle y deje hervir a fuego lento durante 2 ó 3 minutos. Coloque la placa para filetes en la parte superior de la parrilla y la de asar en la parte inferior. Coloque la palanca de bloqueo en la posición de traba frontal. Seleccione la temperatura media y precaliente el aparato. Coloque los filetes en la placa de asar y condiméntelos con pimienta de limón. Cocínelos durante 7 minutos. Controle la cocción y continúe asando si es necesario. Para servir, cubra los filetes con salsa y perejil fresco.

Rinde 4 porciones.

Galletitas de chips de chocolate

600 ml de harina común

5 ml de bicarbonato de sodio

240 ml de margarina baja en grasa, a temperatura ambiente

175 ml de azúcar morena prensada

120 ml de azúcar común

2 huevos

1 cucharita de extracto de vainilla

1 paquete de 340 gramos de chips de chocolate semidulce

Mezcle la harina y el bicarbonato de sodio. En un recipiente grande, mezcle la margarina y los azúcares hasta que logren una consistencia liviana y esponjosa. Agregue los huevos y la vainilla; vuelva a mezclar. Agregue la mezcla de harina y revuelva hasta que se forme una masa suave. Incorpore los chips. Coloque la placa para filetes en la parte superior de la parrilla y la bandeja para hornear en la parte inferior. Coloque la palanca de bloqueo en la posición de traba posterior. Seleccione la temperatura media y precaliente el aparato. Coloque las galletitas con una cucharita en la bandeja para hornear a 2 pulgadas de distancia entre ellas. Alise las galletitas con la parte redondeada de una cuchara. Cierre la tapa. Hornee entre 6 y 8 minutos. Retire las galletitas con una espátula de plástico y permita que se enfríen. Las galletitas estarán suaves hasta que se enfríen. Repita el procedimiento con la masa restante.

Rinde aproximadamente 40 galletitas.

Instrucciones para el mantenimiento

Precaución: Para evitar quemaduras accidentales, permita que el aparato se enfríe completamente antes de limpiarlo.

1. Antes de limpiar el aparato, desconéctelo de la toma de corriente y permita que se enfríe.

Precaución: Para evitar que se produzcan chispas en el enchufe mientras se desconecta el aparato, asegúrese de que el mismo esté apagado antes de desconectarlo.

2. **Limpieza interior:** Coloque la bandeja de goteo debajo del aparato. Para limpiar las placas, utilice la espátula especialmente diseñada para retirar el exceso de grasa y las partículas de alimentos. Seque las placas con una toalla de papel o esponja. Los residuos se recogerán en la bandeja de goteo. Para limpiar la bandeja para hornear, utilice la espátula especialmente diseñada para retirar partículas de alimentos. Séquela con una toalla de papel o esponja.
3. Vacíe la bandeja de goteo y lávela con agua tibia y jabonosa. Las placas y la bandeja para hornear se retiran del aparato destrabando las palancas de liberación. Lávelas en agua tibia y jabonosa y séquelas completamente. Vuelva a instalar las placas o la bandeja y asegúrese de que queden firmemente aseguradas al aparato. Las placas y la bandeja desmontables también pueden limpiarse en la máquina lavaplatos. Una vez que se limpian en la máquina lavaplatos, seque el lado no recubierto de las placas con una toalla seca para evitar que se descolore. Los detergentes para máquinas lavaplatos pueden hacer que el lado no recubierto de la placa de cocción se oxide. Esto no es dañino y puede limpiarse con una toalla húmeda.
4. **Acumulación persistente de residuos:** Limpie las placas con una almohadilla de fregar no metálica.
5. **Limpieza exterior:** Limpie el aparato con una esponja tibia y húmeda y séquelo con un paño suave y seco.
6. No utilice almohadillas de lana de acero, ni almohadillas o limpiadores abrasivos en ningún lugar del aparato.
7. **NO SUMERJA LA CARCASA DEL APARATO EN AGUA NI EN NINGÚN OTRO LÍQUIDO.**
8. Toda reparación que requiera el desarmado del aparato con cualquier otro fin que no sea el de limpieza debe llevarse a cabo por un técnico calificado.
9. Sostenga la cubierta superior (tapa) con la mano mientras limpia el aparato para evitar que éste se cierre accidentalmente y provoque una lesión.

NOTES/NOTAS

NEED HELP?

For service, repair or any questions regarding your appliance, call the appropriate 800 number on cover of this book. Please DO NOT return the product to the place of purchase. Also, please DO NOT mail product back to manufacturer, nor bring it to a service center. You may also want to consult the website listed on the cover of this manual.

Two-Year Limited Warranty (Applies only in the United States and Canada)

What does it cover?

- Any defect in material or workmanship provided; however, Applica's liability will not exceed the purchase price of product.

For how long?

- Two years after the date of original purchase.

What will we do to help you?

- Provide you with a reasonably similar replacement product that is either new or factory refurbished.

How do you get service?

- Save your receipt as proof of date of sale.
- Check our on-line service site at www.prodprotect.com/applica, or call our toll-free number, 1-800-231-9786, for general warranty service.
- If you need parts or accessories, please call 1-800-738-0245.

What does your warranty not cover?

- Damage from commercial use
- Damage from misuse, abuse or neglect
- Products that have been modified in any way
- Products used or serviced outside the country of purchase
- Glass parts and other accessory items that are packed with the unit
- Shipping and handling costs associated with the replacement of the unit
- Consequential or incidental damages (Please note, however, that some states do not allow the exclusion or limitation of consequential or incidental damages, so this limitation may not apply to you.)

How does state law relate to this warranty?

- This warranty gives you specific legal rights, and you may also have other rights that vary from state to state or province to province.

¿NECESITA AYUDA?

Para servicio, reparaciones o preguntas relacionadas al producto, por favor llame gratis al número "800" que aparece en la cubierta de este manual. No devuelva el producto al establecimiento de compra. No envíe el producto por correo al fabricante ni lo lleve a un centro de servicio. También puede consultar el sitio web que aparece en la cubierta de este manual.

Dos años de garantía limitada (Aplica solamente en Estados Unidos o Canadá)

¿Qué cubre la garantía?

- La garantía cubre cualquier defecto de materiales o de mano de obra. Applica no se responsabiliza por ningún costo que exceda el valor de compra del producto.

¿Por cuánto tiempo es válida la garantía?

- Por dos años a partir de la fecha original de compra.

¿Qué clase de asistencia recibe el consumidor?

- El consumidor recibe un producto de reemplazo nuevo o restaurado de fábrica, parecido al original.

¿Cómo se obtiene el servicio necesario?

- Conserve el recibo original como comprobante de la fecha de compra.
- Se puede visitar el sitio web de asistencia al consumidor www.prodprotect.com/applica, o se puede llamar gratis al número 1-800-231-9786, para obtener información relacionada al servicio de garantía.
- Si necesita piezas o accesorios, por favor llame gratis al 1-800-738-0245.

¿Qué aspectos no cubre esta garantía?

- Los daños al producto ocasionados por el uso comercial
- Los daños ocasionados por el mal uso, abuso o negligencia
- Los productos que han sido alterados de cualquier manera
- Los productos utilizados o reparados fuera del país original de compra
- Las piezas de vidrio y demás accesorios empacados con el aparato
- Los gastos de tramitación y embarque relacionados con el reemplazo del producto
- Los daños y perjuicios indirectos o incidentales (sin embargo, por favor observe que algunos estados no permiten la exclusión ni la limitación de los daños y perjuicios indirectos ni incidentales, de manera que esta restricción podría no aplicar a usted).

¿Qué relación tiene la ley estatal con esta garantía?

- Esta garantía le otorga derechos legales específicos y el consumidor podría tener otros derechos que varían de una región a otra.



R12008/6-11-37E/S

Copyright © 2008 Applica Consumer Products, Inc.

Made in People's Republic of China
Printed in People's Republic of China

Fabricado en la República Popular de China
Impreso en la República Popular de China