

High Speed Sandwich Press

ITEM # _____

MODEL # _____

PROJECT NAME # _____

SIS # _____

AIA# _____



High Speed Sandwich Press

603542

High Speed Sandwich Press
208V/1ph/60Hz

Short Form Specification

Item No. _____

The Electrolux High Speed Sandwich Press is the fastest sandwich grill in the world. Using breakthrough microwaves in combination with infrared technology, cooking times can be reduced up to 75%. While delivering superior sandwich quality by combining infrared radiation, contact plates and microwaves, the High Speed Sandwich Press can perfectly toast and warm up the core of your favorite sandwich for a great tasting, hot and crispy sandwich in less than 60 seconds.* Just place your sandwich on the cooking surface and close the lid. The High Speed Sandwich Press' upper grilling plate will self adapt and automatically open the lid for you when the sandwich is ready.

When not in operation, the High Speed Sandwich Press will automatically enter in standby mode reducing the energy consumption.

*Depending on the cooking mass.

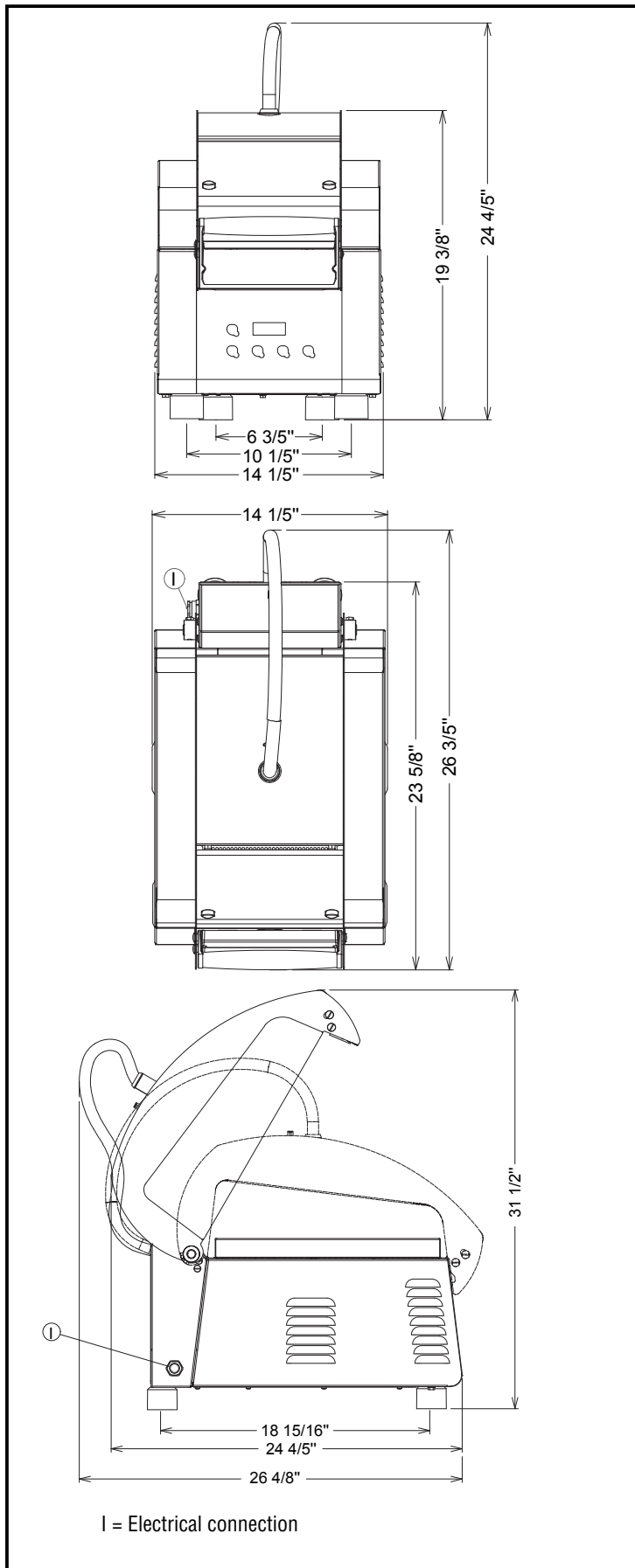
Technical Specs

- AISI 304 stainless steel lid and top plate.
- AISI 430 stainless steel back cover and galvanized steel bottom cover.
- Painted steel side panels.
- Aluminum ribbed top contact plate (8 7/16" x 8 7/16") treated with a special non-stick coating.
- The self adjusting top plate makes it possible to grill sandwiches from 3/8" up to 3" thick.
- Smooth 4 mm thick quartz glass bottom cooking surface (9 13/16" x 9 13/16").
- Independent temperature setting of the top and bottom plates from 320 to 536°F.
- Automatic holding and opening system controlled by an electromagnet.
- Automatic lifting of the lid at the end of the cooking cycle via gas spring.
- Electronic control with digital LED display.
- Countdown display and buzzer at the end of the cycle.
- 2 temperature probes for an independent control of the top and bottom plate temperature.
- 900W MICA heating element on the top plate.
- 900W electrical armored heating elements on the bottom plate.
- 2 x 1000W magnetrons for microwave.
- Side louvres for efficient cooling ventilation.
- Ergonomic aluminum handle with plastic grip.
- Removable front panel and dismountable upper plate for better cleanability.
- Supervisor mode to program up to 4 cooking cycle.
- Programmable parameters:
 - Top plate temperature¹
 - Bottom plate temperature¹
 - Duration of cycle
 - Duration of microwave within each cycle
 - Stand-by delay
 - Stand-by temperature
- IP24 protection index.
- 78 3/4" cable included.

¹ The temperature remains fixed for all cooking cycles



Approval: _____



Electric

Supply voltage:	208 V/1ph/60Hz
603542(HSPPUS)	
Amps	26
Total installed power:	5 kW
Top plate power:	0,9 kW
Bottom plate power:	0,9 kW
Microwave power:	2 kW
Plug Type	NEMA 6-30P

Installation

Clearance:	- 1" (25 mm) rear
	- 8" (200 mm) between units when placed side by side

Key Information

External dimensions:	24 4/5" x 14 1/5" x 26 3/5"
Cooking plate dimensions:	
Top plate:	8 7/16" x 8 7/16"
Bottom plate:	9 13/16" x 9 13/16"
Bottom plate - net:	8 7/16" x 8 7/16"
Net weight:	78 lbs
Shipping weight:	119 lbs
Shipping height:	27 3/16"
Shipping width:	17 3/4"
Shipping depth:	30 11/16"
Shipping volume:	8.5 ft. ³