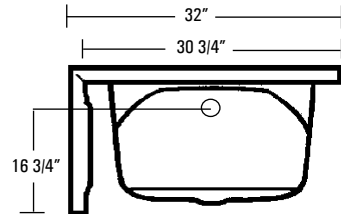
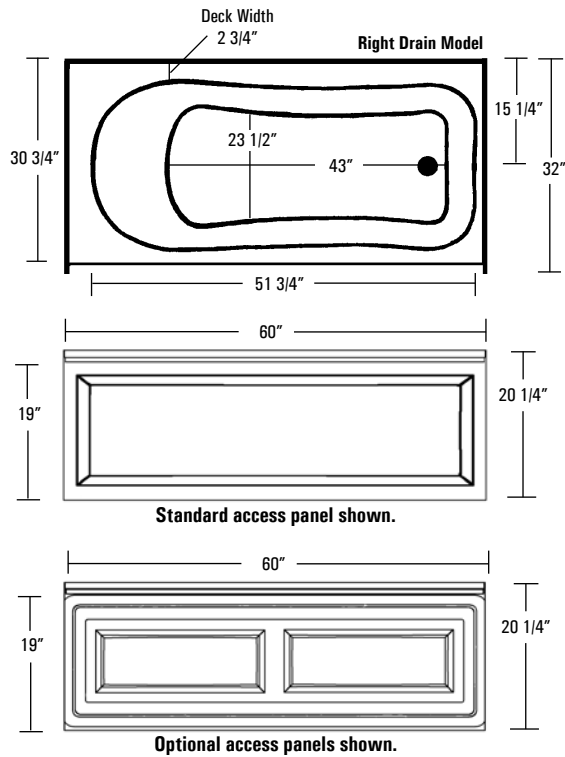


SYMPHONY 9

AQUATIC

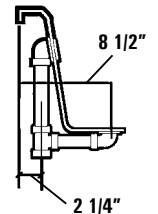
SYMPHONY SERIES MODEL #See Below

MODEL # AII6030LSYTO (Left Drain) / AII6030RSYTO (Right Drain)



Note: This model does not include access panels unless ordered as an option.

Rough-In Plumbing Measurements



SPECIFICATIONS:

GENERAL SPECIFICATIONS:

| | |
|---------------------|-------------------------|
| Tub Size | 60" x 30 3/4" x 20 1/4" |
| | 152 cm x 78 cm x 51 cm |
| Bathing Well | 43" long |
| | 23 1/2" wide |
| | 17" interior depth |
| Shipping Weight | 131 lbs. / 59 kg |
| Tub Weight Filled | 521 lbs. / 236 kg |
| Tub Only Weight | 80 lbs. / 36 kg |
| Gallons to Overflow | 53 gal. / 201 L |

STANDARD EQUIPMENT:

Aquatic Quality Features:

- Color Matched Integral Skirt (Does not include access panels)
- Integrally Molded Tile Flange
- Right or Left Hand Drain
- Durable, Easy to Clean, Lucite® Cast Acrylic Surface
- Available in 8 Standard No-Charge Colors

IAPMO Listed, Factory Tested
Limited 10 Year Warranty

OPTIONAL EQUIPMENT:

- Comfort Pillow--Oval or Rectangle
- Bolt-On Grab Bars
 - White, Biscuit, Chrome, Polished Brass, Gold, Polished Nickel, Satin Nickel or Oil Rubbed Bronze
- Lift & Turn Waste and Overflow
 - Chrome, Polished Brass, Gold, Satin Nickel, Polished Nickel or Oil Rubbed Bronze
- Cable Drive Waste and Overflow
 - Chrome, Polished Brass, Gold, Satin Nickel, Polished Nickel, Oil Rubbed Bronze or Color Matched (Bone, White and Biscuit Only)
- Removable Access Panels

All acrylic colors featured by Aquatic match the industry's leading fixture manufacturers.

Fax-On-Demand
Document # 1277

