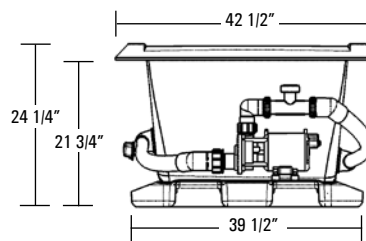
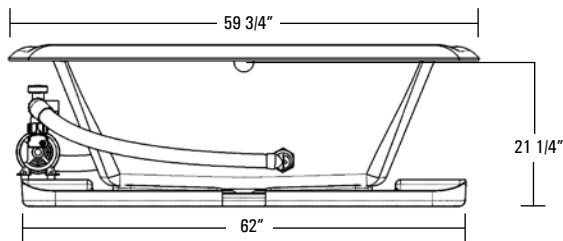
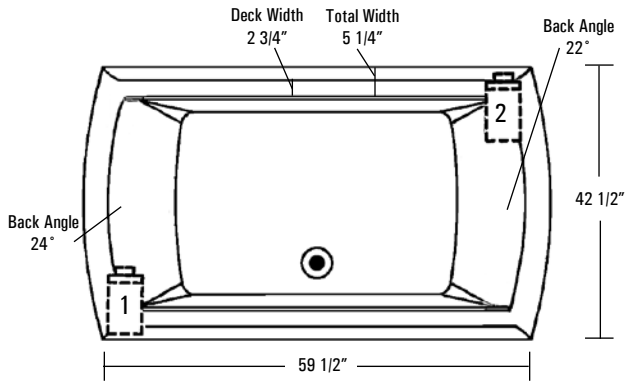
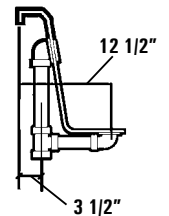


HOTSOAK 88 MOTIF AQUATIC

HOTSOAK SERIES MODEL # AI30AIR6642HS / AI30AIR6642TO (Tub Only)



Rough-In Plumbing Measurements



SPECIFICATIONS:

GENERAL SPECIFICATIONS:

| | |
|---------------------|-----------------------------|
| Tub Size | 65 3/4" x 42 1/2" x 24 1/4" |
| | 167 cm x 108 cm x 62 cm |
| Bathing Well | 35" long |
| | 25 1/2" wide |
| | 21 1/4" interior depth |
| Maximum Water Depth | 17" |
| Shipping Weight | 189 lbs. / 86 kg |
| Tub Weight Filled | 883 lbs. / 401 kg |
| Tub Only Weight | 101 lbs. / 46 kg |
| Weight w/Equipment | 111 lbs. / 50 kg |
| Gallons to Overflow | 93 gal. / 352 L |

ELECTRICAL SPECIFICATIONS:

| | |
|--------------|---|
| Pump | 1/15 HP; 1.3 AMP; 110V |
| Heater | 1.5 kW; 12.5 AMP; 110V |
| Requirements | 20 AMP; 110V, separate circuit required protected w/ Class A GFCI |

This unit is not recommended for shower installations.

STANDARD EQUIPMENT:

Aquatic Quality Features:

- 1.5 kW Inline Maintenance Heater
- Run-Dry Pump with 20-Minute Timer
- 2 Circulation Portal Covers
- Bath-Side On/Off Electronic Button
- "Quiet Pad" Anti-Vibration Pump Mount for Quiet Operation
- Slip Resistant Floor
- Extra Deep and Long Bathing Well
- Pre-leveled ABS Support Base
- Heat-bent Rigid PVC Piping for Optimum Sanitary Conditions
- Durable, Easy to Clean, Lucite® Cast Acrylic Surface
- Available in 8 Standard No-Charge Colors

UL & IAPMO Listed, Factory Tested Limited Lifetime Warranty

OPTIONAL EQUIPMENT:

- Chromotherapy*
- Comfort Pillow - Oval or Rectangle
- Bolt-On Grab Bar
 - White, Biscuit, Chrome, Polished Brass, Gold, Polished Nickel, Satin Nickel or Oil Rubbed Bronze
- Lift & Turn Waste and Overflow
 - Chrome, Polished Brass, Gold, Polished Nickel, Satin Nickel or Oil Rubbed Bronze
- Cable Drive Waste and Overflow
 - Chrome, Polished Brass, Gold, Polished Nickel, Satin Nickel, Oil Rubbed Bronze or Color Matched (Bone, White and Biscuit Only)
- Optional Pump Location
- Premium Colors

All acrylic colors featured by Aquatic match the industry's leading fixture manufacturers.

**This whirlpool will need to be hard wired to the breaker box. Three outlets will be supplied on the whirlpool.*

Fax-On-Demand Document #1305

