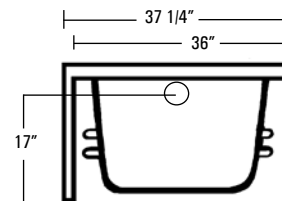
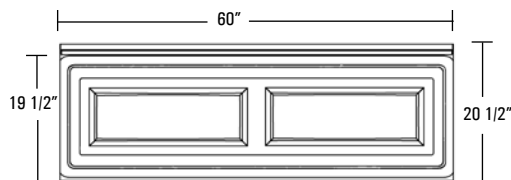
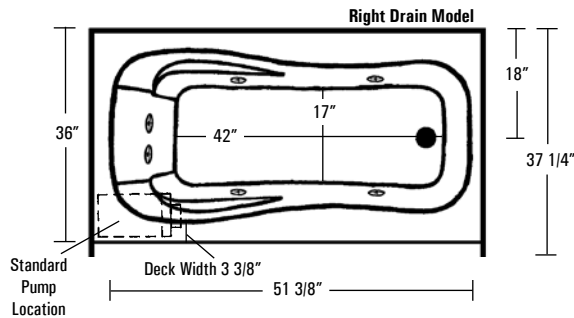


# SYMPHONY 11

AQUATIC

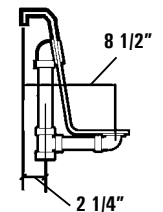
**SYMPHONY SERIES MODEL # -- SEE BELOW**

AIIS6036LSY / AIIS6036LSYTO (LEFT DRAIN) / AIIS6036RSY / AIIS6036RSYTO (RIGHT DRAIN)



Note: Tub only model does not include access panels unless ordered as an option.

Rough-In Plumbing Measurements



## SPECIFICATIONS:

### GENERAL SPECIFICATIONS:

Tub Size	60" x 36" x 20 1/2"
	152 cm x 91 cm x 52 cm
Bathing Well	42" long
	17" wide
	17" interior depth
Maximum Water Depth	13 1/4"
Shipping Weight	170 lbs. / 77 kg
Tub Weight Filled	556 lbs. / 252 kg
Tub Only Weight	123 lbs. / 56 kg
Gallons to Overflow	52 gal. / 197 L
Gallons to Operate	43 gal. / 163 L

### ELECTRICAL SPECIFICATIONS:

Pump Requirement	.80 HP; 5.5 AMP; 110V
	15 AMP; 110V, separate circuit required protected w/ Class A GFCI

### STANDARD EQUIPMENT:

- 6 Hydrotherapy Jets including:**
- 2 Spinning Back Jets
  - 4 Directional Jets
- Aquatic Quality Features:**
- .80 HP Run-Dry Pump
  - Bath-Side On/Off Air Switch
  - "Quiet Pad" Anti-Vibration Pump Mount for Quiet Pump Operation
  - Heat-bent Rigid PVC Piping for Optimum Sanitary Conditions
  - 2 Arm Rests
  - Color Matched Integral Skirt with Removable Access Panels
  - Integrally Molded Tile Flange
  - Color Matched Trim and Jets (Select Colors)
  - Right or Left Hand Drain
  - Durable, Easy to Clean, Lucite® Cast Acrylic Surface
  - Available in 8 Standard No-Charge Colors
- UL and IAPMO Listed, Factory Tested Limited 10 Year Warranty**

### OPTIONAL EQUIPMENT:

- Comfort Pillow--Oval or Rectangle
- Lift & Turn Waste and Overflow
  - Chrome, Polished Brass, Gold, Satin Nickel, Polished Nickel or Oil Rubbed Bronze
- Cable Drive Waste and Overflow
  - Chrome, Polished Brass, Gold, Satin Nickel, Polished Nickel, Oil Rubbed Bronze or Color Matched (Bone, White and Biscuit Only)
- Removable Access Panels (Tub Only)

*All acrylic colors featured by Aquatic match the industry's leading fixture manufacturers.*

**Fax-On-Demand Document # 1279**



The manufacturer accepts a 1/4" variance. There are variations on each tub and specifications are subject to change as we improve upon our product as required. The dimensions needed for site preparation and structure building should be measured from the tub; Aquatic Industries, Inc. assumes no responsibility for preparatory work. [www.aquaticwhirlpools.com](http://www.aquaticwhirlpools.com) 800.555.5324