

**RENAISSANCE™ WHIRLPOOL
AND BATHING POOL**

Comfortable bathing design with form-fitted backrest and molded-in armrests

2732.018 Whirlpool featuring System I

- Acrylic with fiberglass reinforcement
- Factory installed and tested whirlpool system
- 1.25 HP single speed, self-draining pump/motor
- Factory-installed power cord with plug
- Six multi-directional color-coordinated jets including two in back rest area
- One color-coordinated air volume control
- Deck-mounted, color-coordinated air switch On/Off control
- Dual, molded-in arm rests

2732.002 Bathing Pool Only

Nominal Dimensions:

1524 x 832 x 502mm
(60" x 32-3/4" x 19-3/4")

Compliance Certifications -

Meets or Exceeds the Following Specifications:

- Underwriters Laboratories - Hydromassage Bathtubs UL 1795
- ASME A112.19.7M for Whirlpool Appliances
- ANSI Z124.1 for Plastic Bathtubs
- ASTM E162 for Flammability
- NFPA 258 for Smoke Density



To Be Specified - Required:

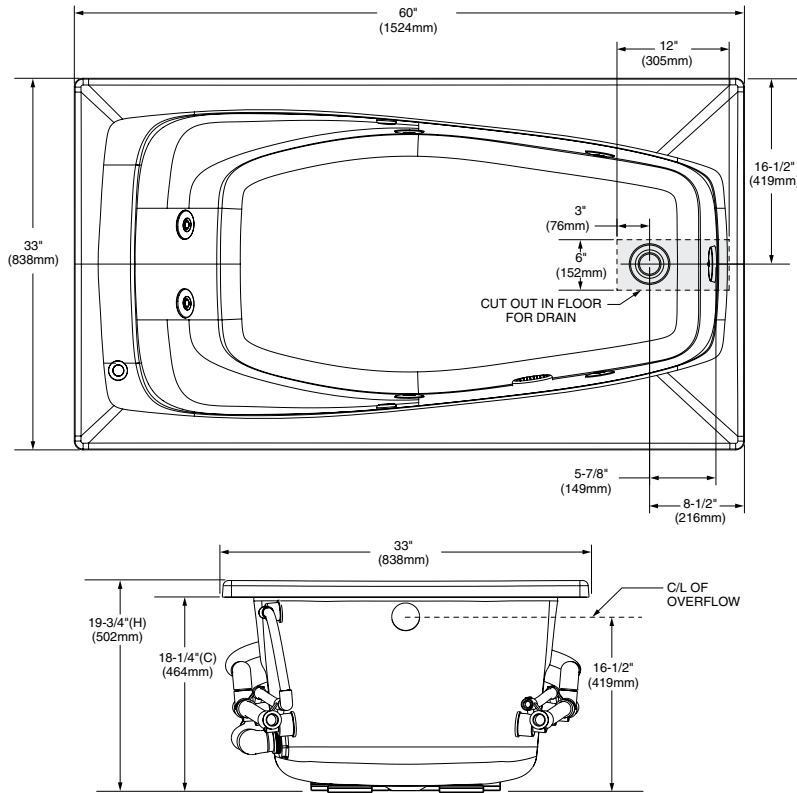
- Bath Filler: (specify finish)
- Bath Drain: 1583.470 (specify finish)

To Be Specified - Optional:

- 5 Foot Apron: 9260.018 (specify color)
- Universal Tile Bead Kit: 751755-100
- Grab Bar Kit: 9822.200-two per kit (specify finish)

For color/finish availability and other faucet choices, please see the Product Selector and Pricing Guide.

SEE REVERSE FOR PRODUCT DIMENSIONS
AND SPECIFICATIONS



■ DIMENSIONS OF FIXTURES ARE NOMINAL AND MAY VARY WITHIN THE RANGE OF TOLERANCES ESTABLISHED BY ANSI STANDARDS Z124.1 AND A112.19.7.

GENERAL SPECIFICATIONS FOR 2732 WHIRLPOOL

INSTALLED SIZE _____ 60 x 32-3/4 x 19-3/4 In.
(1524 x 832 x 502mm)
WEIGHT _____ 65 Lbs. (29 Kg.)
WEIGHT w/WATER _____ 524 Lbs. (237 Kg.)
GAL. TO OVERFLOW _____ 55 Gal. (208 L.)
MIN. OPERATING GAL. _____ 41 Gal. (155L.)
BATHING WELL AT SUMP _____ 40-1/2 x 20-1/2 In.
(1029mm x 521mm)
BATHING WELL AT RIM _____ 52-1/2 x 26-1/2 In. (1334mm x 673mm)
WATER DEPTH TO OVERFLOW _____ 13-3/4 In. (349mm)
FLOOR LOADING _____ 38 Lbs./Sq. Ft. (187 Kgs./Sq. m.)
(PROJECTED AREA)

WHIRLPOOL ELECTRICAL SPECIFICATIONS

PUMP _____ 1.25 HP, 9.7 AMPS, 120V.

GENERAL SPECIFICATIONS FOR 2732 BATHING POOL

INSTALLED SIZE _____ 60 x 32-3/4 x 19-3/4
(1524 x 832 x 502mm)
WEIGHT _____ 51 Lbs. (23 Kg.)
WEIGHT w/WATER _____ 509 Lbs. (230 Kg.)
GAL. TO OVERFLOW _____ 55 Gal. (208 L.)
BATHING WELL AT SUMP _____ 40-1/2 x 20-1/2 In. (1029 x 521mm)
BATHING WELL AT RIM _____ 52-1/2 x 26-1/2 In. (1334 x 673mm)
WATER DEPTH TO OVERFLOW _____ 13-3/4 (349mm)
FLOOR LOADING _____ 37 Lbs./Sq. Ft. (182 Kgs./Sq.m)
(PROJECTED AREA)

NOTES:

BATH CAN BE INSTALLED EITHER ABOVE OR BELOW FLOOR LINE AS PIER, ISLAND, OR PENINSULA TYPE INSTALLATION. SUPPORT OF BATH BY SUMP BEDDING. SUPPORT AND ENCLOSING MATERIAL BY OTHERS.

■ REFER TO INSTALLATION INSTRUCTIONS SUPPLIED WITH WHIRLPOOL FOR ADDITIONAL INFORMATION.

OPTIONAL 3 WALL TILING BEAD. KIT AND APRON No.9260.018 AVAILABLE AND MUST BE ORDERED SEPARATELY.

FITTINGS NOT INCLUDED AND MUST BE ORDERED SEPARATELY.

PROVIDE SUITABLE REINFORCEMENT FOR ALL SUPPORTS.

IMPORTANT: Dimensions of fixtures are nominal and may vary within the range of tolerances established by ANSI Standard Z124.1. These measurements are subject to change or cancellation. No responsibility is assumed for use of superseded or voided pages.