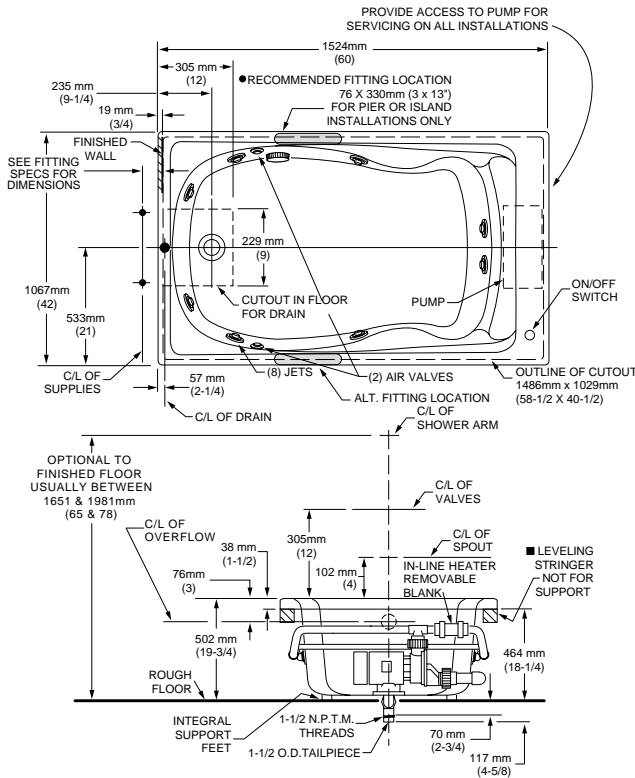


# CADET ELITE™ 5' x 42"

HIGH GLOSS ACRYLIC  
SHOWN LESS ALL FITTINGS

# 2772E SERIES WHIRLPOOL/BATHING POOL INSTALLATION INSTRUCTIONS



GENERAL SPECIFICATIONS FOR 2772E WHIRLPOOL	
INSTALLED SIZE	60 x 42 x 19-3/4 In. (1524mm x 1067mm x 502mm)
WEIGHT	117 Lbs. (53 Kg.)
WEIGHT w/WATER	642 Lbs. (289 Kg.)
GAL. TO OVERFLOW	63 Gal. (239 L.)
MIN. OPERATING GAL.	54 Gal. (204 L.)
BATHING WELL AT SUMP	40 x 26 In. (1016 x 660mm)
BATHING WELL AT RIM	52 x 32-1/2 In. (1321 x 826mm)
WATER DEPTH TO OVERFLOW	13-1/4 In. (337mm)
FLOOR LOADING (PROJECTED AREA)	37 Lbs./Sq. Ft. (182 Kgs/Sq. m.)
PTS.	27.8
CUBE (FT <sup>3</sup> )	45.4
WHIRLPOOL ELECTRICAL SPECIFICATIONS	
PUMP	1.6 HP, 9.7 AMPS, 120V.

## GENERAL INSTALLATION INFORMATION

Carefully uncrate and inspect your new bath for any shipping damage. If such damage is found, report it to your vendor immediately.

After inspection and during installation, protect the bath from construction damage. After installation, and before enclosing with wallboard, tile, etc., water test the unit and check for leaks.

Do not make modifications to the whirlpool system or remove pump from factory mounting. This could adversely affect the safety and performance of the whirlpool and void the warranty. Do not handle or move the whirlpool by the pump, motor, or piping system.

Fittings (bath filler, shower arm, etc.) are not provided with the bath and must be ordered separately. Framing and enclosing materials are provided by others. Check for availability of optional American Standard wall tiling bead (required for recess installations).

Protect all finished surfaces of the whirlpool during construction and installation using a drop cloth.

**WARNING! Do not lift whirlpool by the piping harness at any time.**

FOR AFTER-SALES SERVICE CALL 1 (800) 442-1902 WEEKDAYS.

## THANK YOU...

for selecting an American Standard bath. Your new bath is shipped to you after careful inspection. The whirlpool version is completely assembled with pump, motor, and system piping. All you need to finish the installation are your selected fittings and electrical connections for a whirlpool.

To insure maximum performance and pleasure from this product, please follow the instructions and cautions.

### List of Optional Components (not included):

- Flex-Jet Pulse Jet Kit\*
- Flex-Jet Soft Jet Kit\*
- E-Z-Install Heater\*
- Tile Bead Kit\*
- Apron Kit\*

### List of Required Components (not included):

- Drain\*
- Bath Filler\*

\* see your Home Depot Retailer

### List of Required Tools and Supplies:

#### Tools

- Level
- Tape Measure
- Pipe Wrench
- Slip Joint Pliers
- Screw Driver
- Standard Woodworking Tools
- Personal Safety Equipment
- Caulking Gun

#### Supplies

- Nails
- Putty
- Caulking (waterproof)
- 1 x 3 or 2 x 2 Stringers
- Drop Cloth
- 15 amp GFI Outlet
- Cement, Plaster, Grout

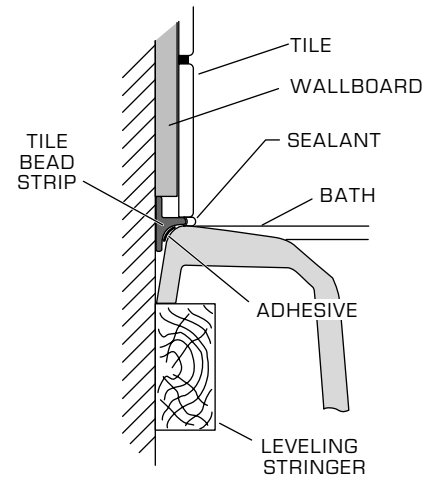
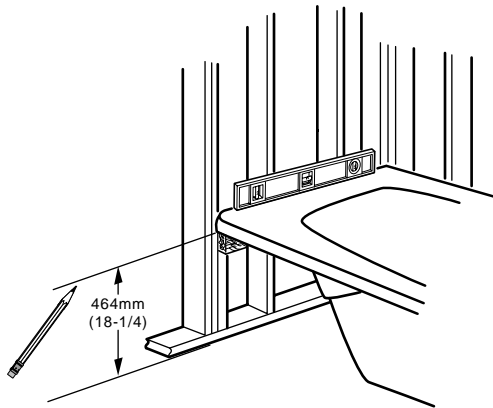
## INSTALLATION AND FRAMING INSTRUCTIONS

The variety of installations possible for this whirlpool may require framing procedures other than those shown. Locate studs as required. Ensure roughing-in dimensions are proper, plumb and square. Provisions must be made in all installations for an access opening for servicing the pump and controls. It is strongly recommended that an additional opening be provided for access to the drain components.

**NOTE: The apron should not be used as the primary access opening.**

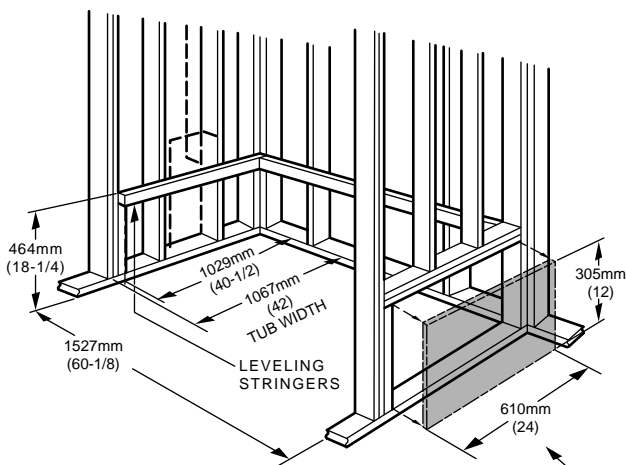
1. Position the whirlpool into the installation opening and level the deck, shimming the integral support feet as necessary. Mark the final position of the underside of the deck by tracing a line on to the studs (see Figure 1).
2. Remove the whirlpool and attach a 2 x 4 stringer to the studs, with the top of the stringer touching the traced line.
3. Install drain components to the whirlpool following the manufacturers instructions. Before replacing your whirlpool for final installation, be certain that an opening has been provided in the sub-floor for the drain. See the roughing-in drawing for suggested opening size and location dimensions.
4. Replace whirlpool and re-shim the integral support feet, shimming the entire length of the support feet. Secure the shims using construction adhesive, silicone, mortar or equivalent materials. While not a necessity, the use of a foundation base consisting of cement (e.g. Sakrete), mortar, or grout will help provide a solid and secure installation.

**FIG. 1**



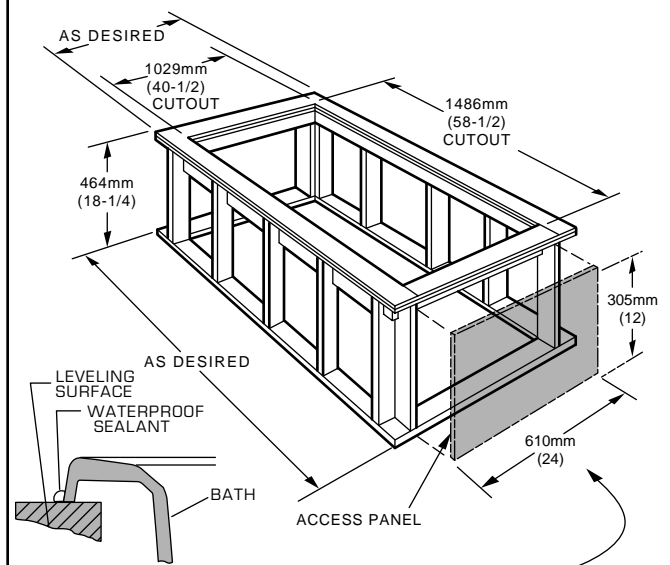
**NOTE:** Tile bead kit not included and must be purchased separately.

### TYPICAL RECESS INSTALLATION



**WHIRLPOOL ONLY:  
UNLESS AN ACCESS OPENING OF AT LEAST  
12" X 24" (305 X 610MM) IS PROVIDED,  
WARRANTY SERVICE WILL NOT BE PERFORMED.**

### TYPICAL PIER TYPE INSTALLATION



**WHIRLPOOL ONLY:  
UNLESS AN ACCESS OPENING OF AT LEAST  
12" X 24" (305 X 610MM) IS PROVIDED,  
WARRANTY SERVICE WILL NOT BE PERFORMED.**

## ELECTRICAL INSTALLATION INSTRUCTIONS

All wiring must be performed by a licensed electrician in accordance with the national electrical code and all other applicable codes.

### WARNING:

When using electrical products, basic precautions should always be observed, including the following:

#### 1. DANGER: RISK OF ELECTRIC SHOCK

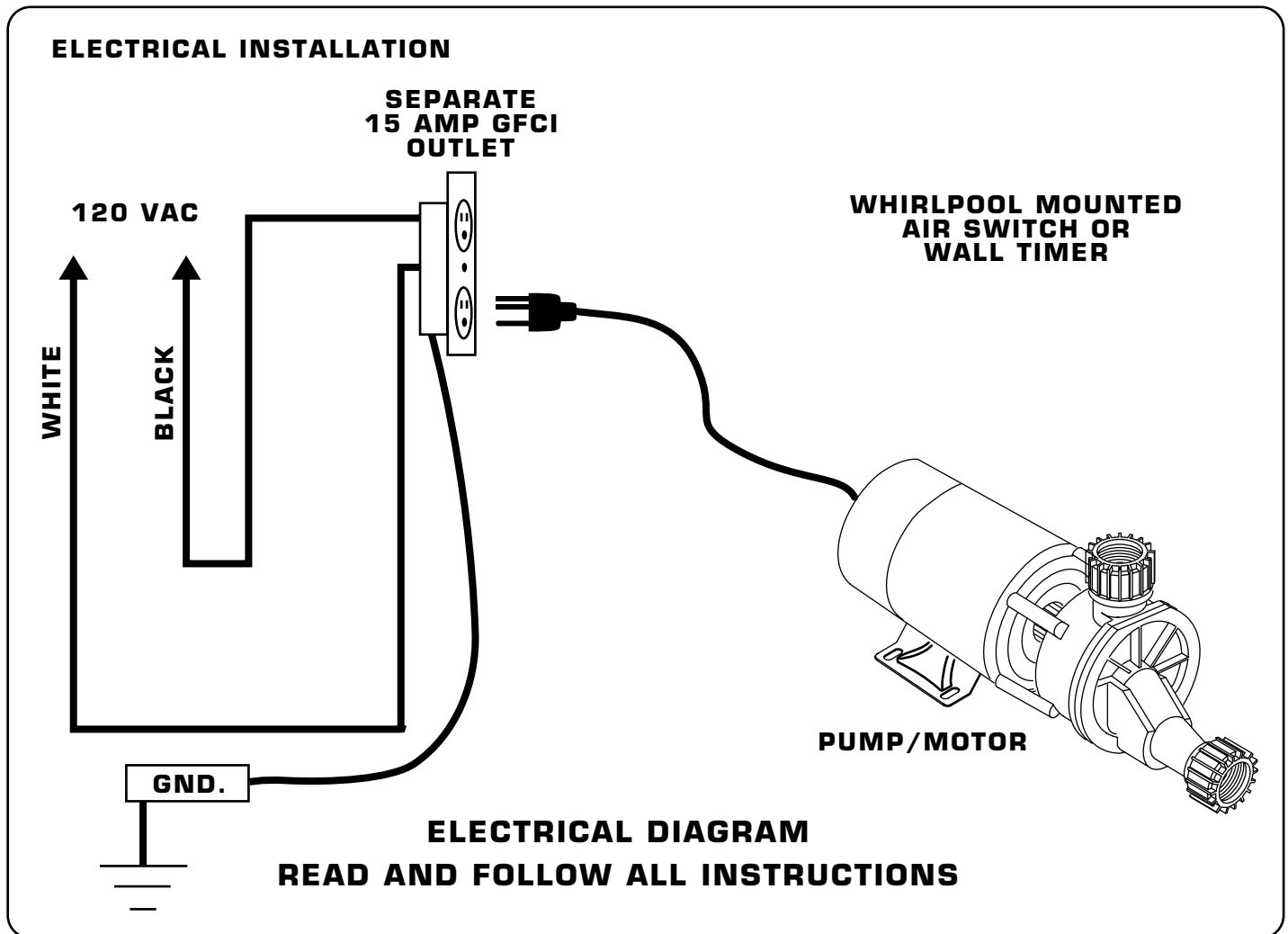
Connect only to a circuit protected by a ground-fault circuit interrupter.

2. Grounding is required. The unit should be installed by a licensed electrician and grounded.

3. Install to permit access for servicing.

4. All building materials and wiring should be routed away from the pump body and heater (if equipped).

The whirlpool should be installed on a 120 vac, 15 amp dedicated circuit. The circuit should be hard-wired from the electrical power supply panel. The circuit must be a three (3) wire circuit from the electrical supply panel. A grounded neutral wire and a third wire, earth ground, are essential. **HEATER EQUIPPED MODELS REQUIRE A SEPARATE 15 AMP MAXIMUM GFCI CIRCUIT.**



## WIRE SELECTION GUIDE

Motor Hi Performance Rating  1.6	Maximum distance from fusebox to motor			
	50'	100'	150'	200'
	115V Power Line			
	12	12	10	8

The sizes shown on this chart are recommendations for copper conductors only. Always follow local and national electrical codes

### DRAIN CONNECTION AND SYSTEM TEST

Using recommended drain opening, connect whirlpool drain to waste line. Tighten all drain joints securely. Check the pump couplings and make sure they are hand-tight. Clean the whirlpool and fill with water to a point 2" above the top of the highest jet. Recheck the pump couplings and make certain that they are not leaking. (Although the pump couplings are factory tightened and inspected, some loosening may have occurred during transit.) Make sure the whirlpool is connected to the electrical supply and turn the whirlpool on. Check for leaks around all piping connections while the whirlpool is running.

### POST INSTALLATION CLEAN-UP

Remove all construction debris from bath. Tile grout can be removed with a wooden popsicle stick or tongue depressor. Do not use wire brushes or any other metal implement on bath surface.

Post installation clean-up generally can be completed using warm water and liquid dishwashing detergent. Stubborn dirt or stains may be removed using granular Spic and Span® mixed with water.

Painter's naphtha can be used to remove excess adhesives and/or wet oil-base paint.

### HARSH CHEMICALS SHOULD NEVER BE USED ON ACRYLIC SURFACES.

Abrasive cleaners must not be used since they will scratch and dull the surface. Dulled areas can be restored by rubbing with a white automotive-type polishing compound and waxing with a liquid wax.