

POOL
MODEL: 151

CATALOG NO. 9100.25
Effective: 12-09-08
Replaces: 02-07-07

RAYPAK ILLUSTRATED PARTS LIST

MODEL SIZE: 151

MODEL TYPE: WHG, SPA-PAK & CALIFORNIA III

DATE OF MANUFACTURE: 1974 TO 12-01-81

ELECTRONIC IGNITION: 11-01-80 TO 12-01-81

THE PARTS LISTED ARE FOR STANDARD EQUIPMENT FOR THIS MODEL TYPE. RAYPAK RESERVES THE RIGHT TO SUBSTITUTE, DELETE OR CHANGE ANY PART WITHOUT NOTIFICATION. THE ADDITION OF OPTIONS MAY ALSO CHANGE SOME OF THE PARTS. ORDER REPLACEMENT PARTS FROM ACTUAL HEATER COMPONENTS.



FOR DETAILED INSTRUCTIONS, SEE "HOW TO USE YOUR RAYPAK ILLUSTRATED PARTS LIST",
CATALOG NO. 9001.10



Raypak, Inc., 2151 Eastman Avenue, Oxnard, CA 93030
(805) 278-5300 Fax (800) 872-9725
Litho In U.S.A.

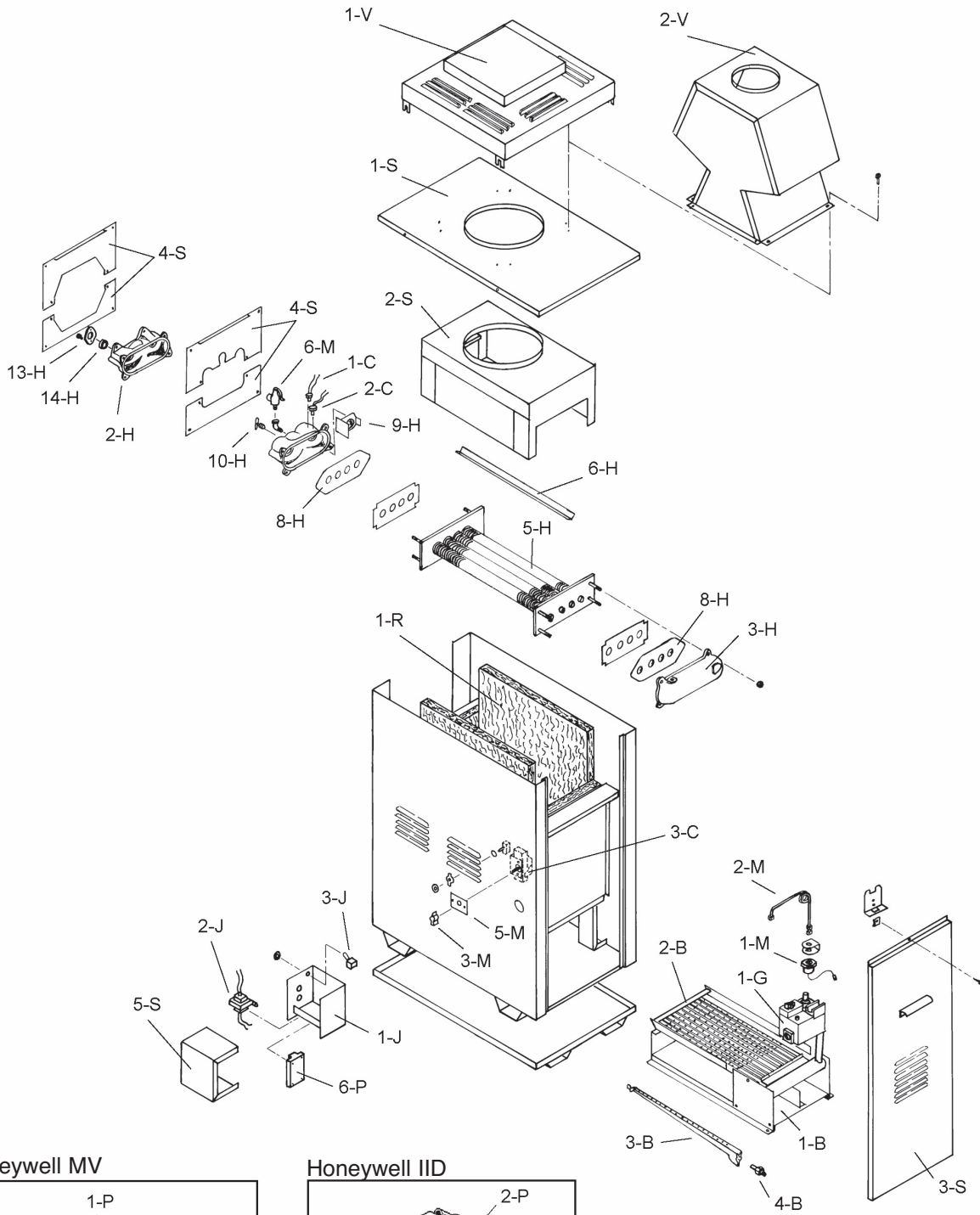


Fig. # 240630

Honeywell MV

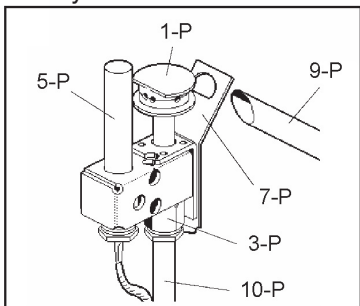


Fig. # 8107

Honeywell IID

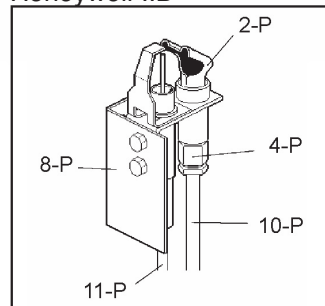


Fig. # 8124

CALL OUT	DESCRIPTION	CAL III CAST IRON	SPA PAK BRASS
B	BURNER TRAY**		
1-B	Burner Tray w/Burners (Sea Level)*	N/A	N/A
	Burner Tray w/o Burners (Sea Level)*	N/A	N/A
2-B	Burner Hold Down Kit	001991F	001991F
3-B	Burner	301210/10	301210/10
4-B	Burner Orifice Nat. #51 (Sea Level)*	350080F/10	350080F/10
	Burner Orifice Pro. #57 (Sea Level)*	350083F/10	350083F/10
C	CONTROLS		
1-C	High Limit 135°F	600892B	600892B
2-C	High Limit 140°F	600893B	600893B
3-C	Thermostat Control	003346F	003346F
G	GAS VALVE		
1-G	Combination Valve 1/2" Nat.	003898F	003898F
	Combination Valve 1/2" Pro.	003899F	003899F
	Combination Valve 1/2" Nat. IID	003900F	003900F
H	HEAT EXCHANGER		
1-H	Heat Exchanger Assy. (Complete)	N/A	N/A
2-H	Inlet/Outlet Header	N/A	N/A
3-H	Return Header	N/A	N/A
4-H	Tube Bundle	002439F	002439F
5-H	Heat Exchanger Tube	002440F	002440F
6-H	Baffle Kit	004055F	004055F
7-H	Bolt Kit	001056F	001056F
8-H	Header Gasket	800075B	800075B
9-H	Unitherm Governor	053242B	053242B
10-H	Drain Valve	500719	500719
11-H	Sensor Well	007211F	007211F
12-H	Well Retaining Clip	300203	300203
13-H	Inlet/Outlet Flange		004056F
14-H	Flange Gasket		800013B
J	J-BOX		
1-J	J-Box (IID Units) Complete	N/A	N/A
2-J	Transformer 120/240/24V	006736F	006736F
3-J	Toggle Switch	650761	650761
M	MISCELLANEOUS COMPONENTS		
1-M	Pressure Switch	062237B	062237B
2-M	Pressure Switch Tube Assy.	003271F	003271F
3-M	Thermostat Knob		
4-M	Knob Stop		
5-M	Dial Plate		
6-M	PRV 125 PSI	008091F	008091F
7-M	Delimiting Kit	052870F	052870F

*FOR ALTITUDES ABOVE 2,000 FEET ABOVE SEA LEVEL, CONSULT THE FACTORY.

**REPLACEMENT BURNER TRAYS ARE BUILT FOR SEA LEVEL, NATURAL GAS APPLICATIONS UNLESS OTHERWISE SPECIFIED AT THE TIME THE ORDER IS PLACED.

CALL OUT	DESCRIPTION	CAL III CAST IRON	SPA PAK BRASS
P	PILOT		
1-P	Pilot Nat. Standing	600525B	600525B
	Pilot Pro. Standing	600575B	600575B
2-P	Pilot Nat. IID	002003F	002003F
3-P	Pilot Orifice Nat. Standing	003901F	003901F
	Pilot Orifice Pro. Standing	003902F	003902F
4-P	Pilot Orifice Nat. IID	003903F	003903F
5-P	Pilot Generator (Standing Pilot Only)	600019B	600019B
6-P	Ignition Control (IID Pilot Only)	004817B	004817B
7-P	Pilot Mounting Bracket Standing	303730	303730
8-P	Pilot Mounting Bracket IID	304670	304670
9-P	Lighter Tube (Standing Pilot Only)	052797	052797
10-P	Pilot Tube	004078F	004078F
11-P	Hi Tension Wire	006088B	006088B
R	REFRACTORY		
1-R	Refractory Kit	000992F	000992F
2-R	Refractory Retainer Kit	001057F	001057F
S	SHEETMETAL		
1-S	Jacket Top	002007F	002007F
2-S	Flue Collector	002008F	002008F
3-S	Door Assy.	N/A	N/A
4-S	Access Panel Group	N/A	N/A
5-S	J-Box Sheetmetal	N/A	N/A
V	VENTING		
1-V	Stackless Top Kit (Outdoor)	N/A	N/A
2-V	Draft Hood Kit (Indoor)	003723	003723

CONVERSION KIT **			
Gas Conversion			
	Nat. to Pro. Standing Pilot	004690B	004690B
	Pro. to Nat. Standing Pilot	004691F	004691F
	Nat. to Pro. Electric Pilot	N/A	N/A

**Gas conversions are to be done only by a qualified agency.
For gas conversions, consult the factory.



ISO 9001

Registered Quality Management System

www.raypak.com