

1. ROUGHING-IN: K-700 VINTAGE BATH

A. ORDERING INFORMATION

Accessories/hardware:		
Drain for drop-in	K-7158	recommended
Drain for free-standing	K-7159	recommended
Adjustable legs	K-1172	optional

B. PRODUCT INFORMATION

Fixture*:	basin area	top area	weight
Bathing well	44" (111.8cm) x 24" (61cm)	60" (152.4cm) x 32" (81.3cm)	485 lbs. (220kg)
	water depth	capacity	
Overflow	15" (38.1cm)	82 gals. (310L)	

* Approximate measurements for comparison only.

Included Components:

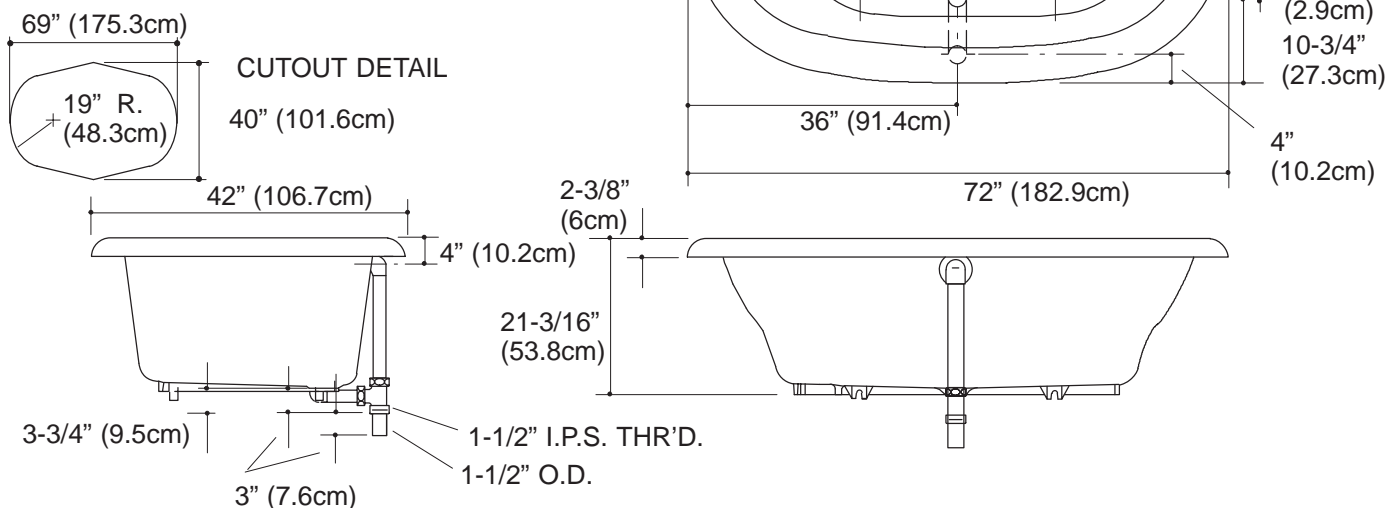
Cutout template	106594-7
-----------------	----------

C. INSTALLATION NOTES

Read the entire installation instruction before beginning the installation.

NOTICE: The floor must support 2,000 lbs (907kg). This is the combined weight of the bath, water, and two bathers. Pre-plan access for moving the bath into the construction area; the bath is heavy and will not fit easily through doorways.

ROUGHING-IN NOTES
Fixture dimensions are nominal and conform to tolerances in ANSI Standard A112.19.1.
No change in measurements if connected with drain illustrated.



2. ROUGHING-IN: K-700 VINTAGE FREE STANDING BATH WITH FITTINGS

A. ORDERING INFORMATION

Accessories/hardware:		
Drain	K-7159	required*
Antique faucet	K-104	required*
Adjustable legs	K-1172	required*
Riser tubes	K-128	required*
Brass brackets/end caps	K-708	required*
Wood base	K-705	required*
Ceramic floor rail	K-709	required*
Wood towel bar	K-707	required*

* Required for configuration illustrated.

B. PRODUCT INFORMATION

Fixture*:	basin area	top area	weight
Bathing well	44" (111.8cm) x 24" (61cm)	60" (152.4cm) x 32" (81.3cm)	485 lbs. (220kg)
	water depth	capacity	
To overflow	15" (38.1cm)	82 gals. (310L)	

* Approximate measurements for comparison only.

Included Components:	
Cutout template	106594-7

C. INSTALLATION NOTES

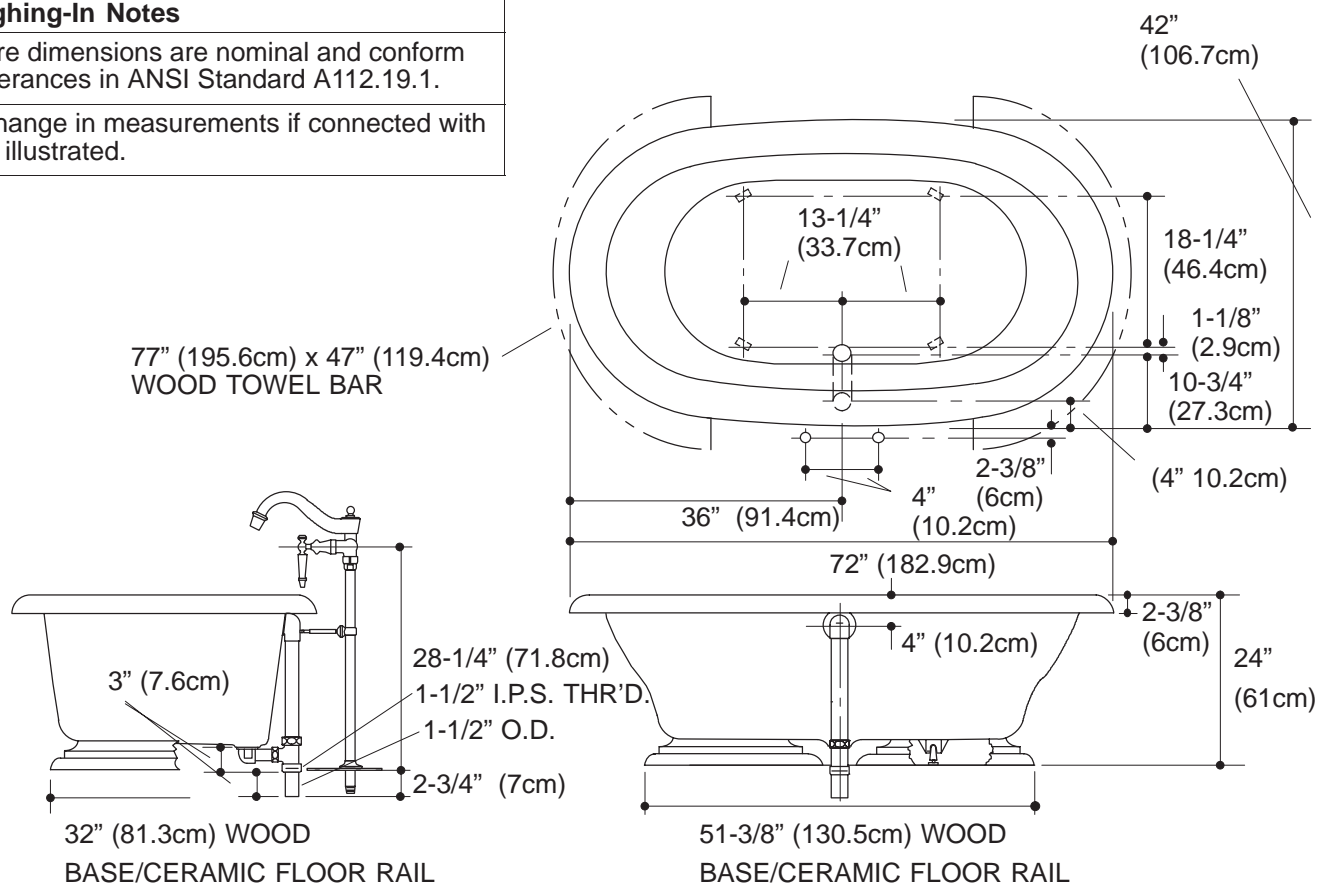
Read the entire installation instruction before beginning the installation.

NOTICE: The floor must support 2,000 lbs (907kg). This is the combined weight of the bath, water, and two bathers. Pre-plan access for moving the bath into the construction area; the bath is heavy and will not fit easily through doorways.

Roughing-In Notes

Fixture dimensions are nominal and conform to tolerances in ANSI Standard A112.19.1.

No change in measurements if connected with drain illustrated.



3. PRODUCT REQUIREMENTS

A. SUMMARY OF KEY REQUIREMENTS

- Observe all local plumbing and building codes.
- Install the unit level with the subfloor.
- Provide properly-dimensioned framing.
- Make sure the drain location corresponds to the bath outlet.
- The whirlpool can be installed in a corner. Recess or sunken installation is also possible.

B. PRODUCT INSPECTION

Carefully unpack the whirlpool, remove the protective tape, and inspect the unit for damage. Leave all materials in the carton during construction to prevent damage.

4. INSTALLATION REQUIREMENTS

A. MATERIALS REQUIRED

- Plumbers putty
- Silicone sealant
- Metal shims
- Drop cloth
- Wall coverings, as necessary
- Cement board

NOTE: Site preparation and wall/floor finishing may require additional materials.

B. TOOLS REQUIRED

- Arc pliers or 14" pipe wrench
- Rule
- Level
- Square
- Screwdriver
- 7/16" ratchet or combination wrench
- Conventional woodworking tools
- Safety shoes
- Safety glasses
- Pliers
- Utility knife

NOTE: Site preparation and wall/floor finishing may require additional tools.

C. CLEARANCE REQUIREMENTS

Check the roughing-in and room dimensions to provide adequate available space for the bath unit.

NOTICE: Make sure the floor will support 2000 lbs. This is the combined weight of the bath, water, and two bathers. Carefully plan the moving of the bath into the construction area. This bath is heavy and will not easily fit through doorways. Carefully follow all instructions in this manual.

D. NEW OR REPLACEMENT INSTALLATION REQUIREMENTS

This unit can be installed in new or existing bathrooms.

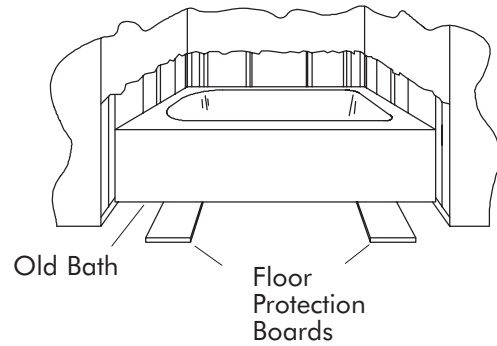
For new installations: Position the plumbing according to roughing-in dimensions beginning on Page

For replacement installations: Remove the old bath. Remove the old wall material, and remove any old floor covering from the area. Remove any old plumbing that does not conform to roughing-in requirements.

5. SITE PREPARATION

A. OLD BATH REMOVAL

Disconnect the drain at the trap. Remove the old wall material. **Slip boards under the old bath feet to protect the floor**, and slide the old bath out of the recess as illustrated.



B. SUBFLOOR PREPARATION

Make sure the flooring offers adequate support for your whirlpool, and verify that the subfloor is flat and level.

C. STUD POCKET PREPARATION

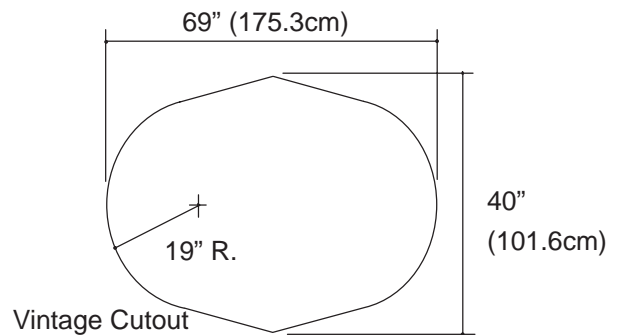
Construct a recess designed for your particular installation. Framing is of 2x4 construction. Make sure you allow for access to the pump in the event the unit requires service. When constructing the framing, allow for the thickness of sub and finished wall materials.

If an apron wall without a ledge is desired, the finished apron wall surface must be 1/16" (2mm) under the bath rim.

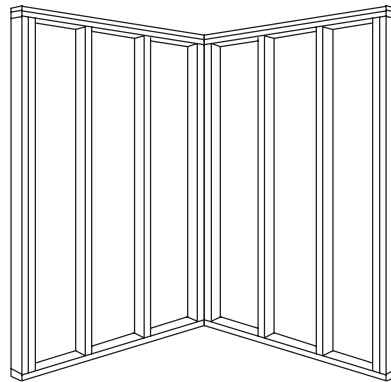
The whirlpool can be installed in a corner. Recess or sunken installations are also possible. Steps 1. through 3. below illustrate suggested stud construction.

Modifications may be needed for other types of construction.

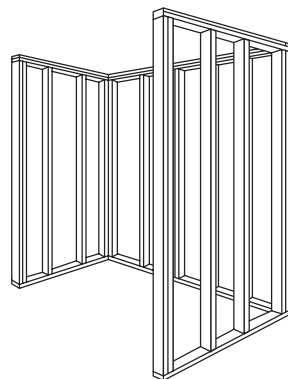
NOTICE: Do not install the wood rim to units used in sunken installations.



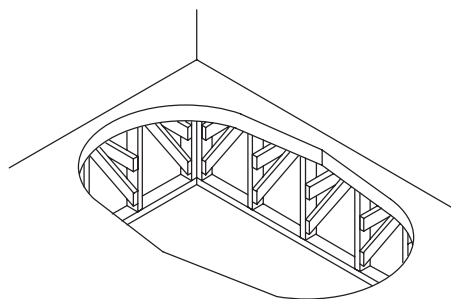
1. **Corner Installation:** The suggested stud construction is illustrated.



2. **Recess Installation:** The suggested stud construction is illustrated.



3. **Sunken Installation:** Refer to Roughing-In notes beginning on Page 1 for cut-out details. Make sure the whirlpool is supported by the supporting feet on the bottom of the whirlpool. **Do not hang the whirlpool by the rim.**



D. PLUMBING PREPARATION

Position the plumbing according to the roughing-in dimensions. Cap the supplies, and check for leaks.

6. BEFORE INSTALLING UNIT

A. PARTIALLY INSTALL BATH DRAIN

Install the drain on the bath according to the drain manufacturer's instructions. When installing the drain overflow tube and hood, be sure to adequately seal along the edges of the hood to prevent leakage.

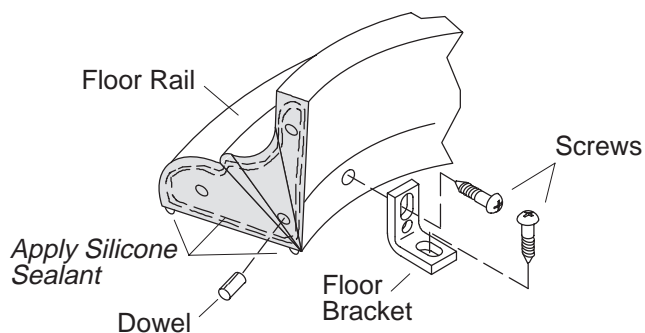
B. INSTALL WOOD FLOOR RAIL

Make sure all rough plumbing and finish flooring are complete. Attach the floor brackets to the floor rail with the screws provided.

Apply two beads of silicone sealant to the bottom surface of the floor rail. Position the floor rail in the desired location, and secure to the floor with the screws provided.

Use at least four people to carefully lift the bath inside the floor rail. Position the bath so there is equal space between the bath skirt and the floor rail.

Insert the dowels in the ends of the floor rail. Apply silicone sealant to the end rails, and press them completely onto the dowels. Remove any excess sealant.



C. PROTECT BATH UNIT

Position a clean drop cloth or similar material in the bottom of the whirlpool. Be careful not to scratch the surface of the product.

7. INSTALL THE WOOD RIM

NOTICE: The wood rim must be installed to the bath before any framing is built around the bath. Do not use this wood rim in sunken installations.

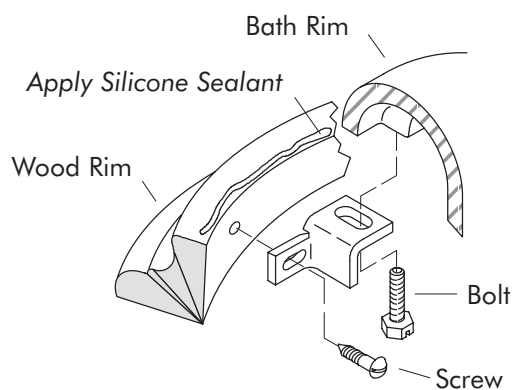
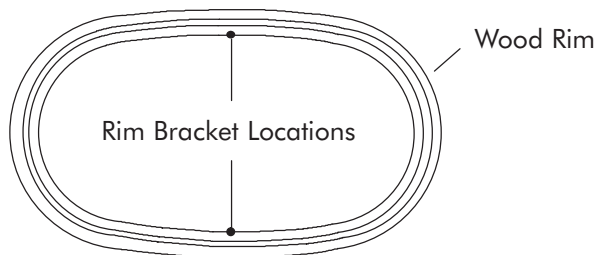
Install the bath, and make the drain connections. Use two people for this procedure. Hold the wood rim in position under the bath rim. Install the angle brackets to the wood rim, as illustrated, using #10 x 3/4" round-head screws. The holes are pre-drilled in the wood rim. Apply a bead of clear silicone sealant, as shown.

CAUTION: Option for using silicone sealant: Do not let the bath rest on the rim, or damage to the wood rim and the bath will result. The bath must be supported by the legs.

Install the bolts into the angle brackets, as shown, to install the wood rim to the bath. Loosely assemble all the components. Tighten the bolts when they are threaded into the bosses on the underside of the rim.

The bath is now ready for framing, and the installation of the wall material.

NOTE: The bottom of the wood trim Option for using silicone sealant: be sealed with a bead of clear silicone sealant.



8. INSTALL THE TOWEL BAR

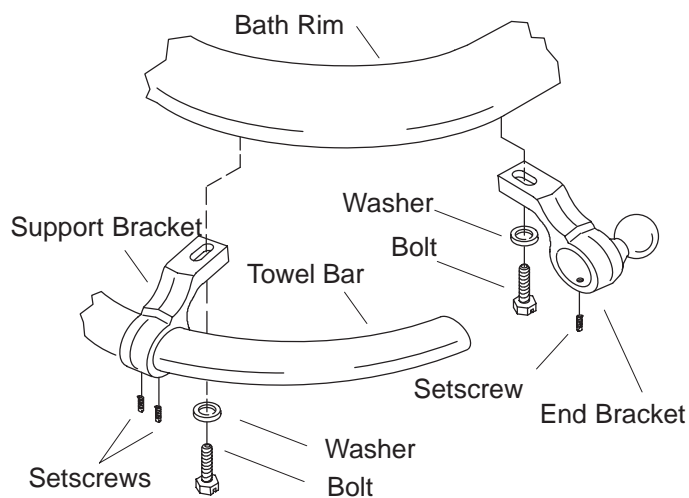
Attach the two end brackets to the bath rim with washers and bolts.

Carefully slide the two support brackets on the towel bar. Do not scratch the towel bar. Position one end of the towel bar into an end bracket, and attach the support brackets to the bath rim with washers and bolts. Only handtighten the bolts at this time.

Fit the other towel bar end into the remaining end bracket. Align as needed.

Tighten all bolts. Secure the towel bar to all the brackets with setscrews.

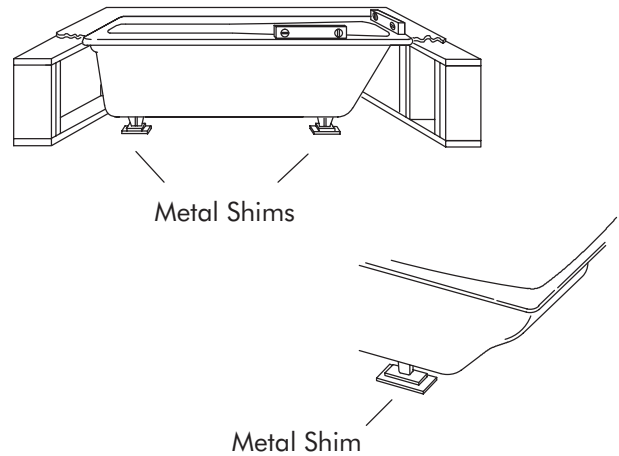
Repeat for the other towel bar.



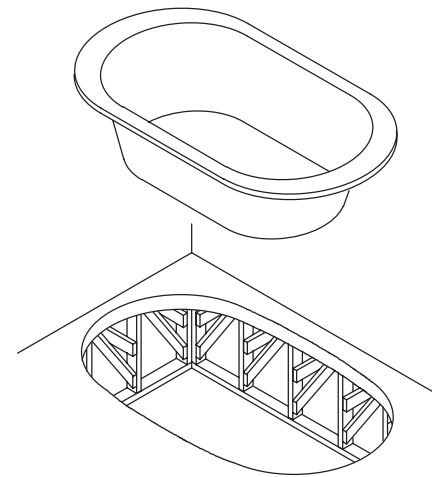
9. INSTALL THE BATH

A. WHIRLPOOL SET-IN

Corner or Recessed Installations: Move the whirlpool into position. Insert the drain tailpiece into the trap. Level the whirlpool by fitting metal shims under the whirlpool feet, as needed. The whirlpool must be level and resting on all four feet. Check for level along the top of the whirlpool, and across the drain side. If the feet are not accessible from the back or side, move the whirlpool in and out of position until it is shimmed properly.



Option For Sunken Installation: Set the bath into the sunken installation. Make sure the unit is level and resting on all support feet. Insert the drain tailpiece into the trap. Apply a bead of silicone sealant under the rim of the unit.

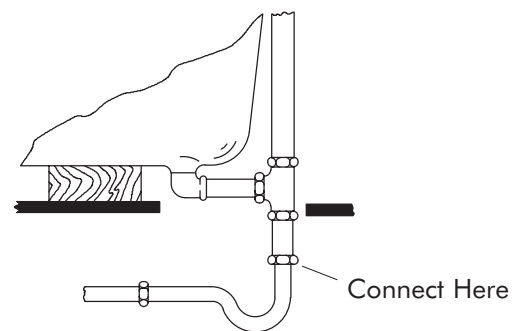


B. INSTALL PLUMBING

CAUTION: Risk of property damage.
Ensure a watertight seal on the whirlpool drain connections.

1. Connect the drain to the trap according to the drain manufacturer's instructions.

NOTE: An access panel will simplify future maintenance.



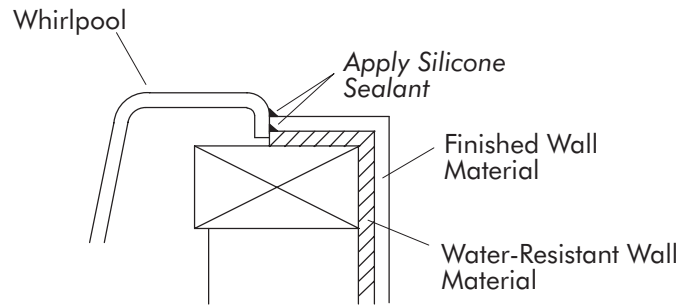
2. Install the faucet valving and spout tee. Open the hot and cold water valves, and check the supply connections for leaks.

3. Run water into the bath, and check the drain connections for leaks.

10. COMPLETE THE FINISHED WALL

Cover the framing with water-resistant wall material, as shown. Seal the joints between the bath rim edge and the wall material with silicone sealant.

Tape and mud the water-resistant wall material. Install the finished wall to the water-resistant wall material as shown for your installation. Seal the joints between the whirlpool rim and the finished wall material with silicone sealant.



11. INSTALL THE FAUCET TRIM

INSTALL HANDLES AND SPOUT

After the deck is finished, attach the handles and spout to complete the faucet installation according to the faucet manufacturer's instructions.

12. CLEAN-UP AFTER INSTALLATION

Remove stubborn stains, paint, or tar with turpentine or paint thinner. **Do not allow cleaners containing petroleum distillates to remain in contact with any whirlpool surfaces for long periods of time.** Remove plaster by carefully scraping with a wood edge.

Do not use metal scrapers, wire brushes, or other metal tools. Use a powder-type detergent on a damp cloth to provide mild abrasive action to any residual plaster. When cleaning up after installation **do not use abrasive cleansers**, as they may scratch and dull the bath surface. Use warm water and a liquid detergent to clean the surface.

13. IMPORTANT CARE AND CLEANING INFORMATION

Keep your cast iron product looking new by rinsing it out thoroughly after each use. If the surface gets excessively dirty, use a general purpose cleaner such as: Clorox® Clean Up, 409® All Purpose, Mr. Clean® Top Job, Lysol® Foaming Disinfectant, Dow Bathroom Cleaner, or Fantastik®.

Do not use abrasive cleansers or solvents on cast iron products.

CALL US FOR HELP

Questions? Problems? First review the installation instructions to ensure correct installation. For additional assistance, call our Customer Service Department for direct help. You may also contact us at our web site listed below.

In the U.S.A., call 1-800-4-KOHLER

In Mexico, call 001-877-680-1310

In Canada, call 1-800-964-5590

THE BOLD LOOK
OF **KOHLER**
www.kohler.com