

nova™ 6 pure air® II bath

nova—a brightly burning star. the nova™ pure air® II bath—a rejuvenating point of light in your day, your night, your routine.



Clean lined and classic, the Nova™ whirlpool is versatility defined.

features:

- Exclusive 360° Balanced Airflow™ system
- 600 watt variable speed heated air blower
- Thermal Lumbar Comfort (TLC)™
- Safely use salts and aromatic oils
- PrO₃™ Ozone Sanitation System standard

nova™ 6 pure air® II bath

model number: EA10 – LH

exterior dimensions:

72" long x 42" wide x 20½" high

interior dimensions (bottom):

50" long x 28" wide(mid) x 21" wide (end)

operating gallons:

67 gallons





Nova™ 6 Pure Air® II Bath

Model: EA10

Ordering Information

Product Code:

EA10 Nova™ 6 Pure Air II Bath
Left Hand

- Left Hand Drain Location
- Accessories / Hardware:
 - Trip-Lever Drain Kit #X559
 - Rotary Drain Kit, 26" Cable #8730
- Trim Kit Finishes Available:
 - (827) - Chrome
 - (898) - Brushed Chrome
 - (815) - Satin Nickel
 - (829) - Bright Brass
 - (805) - Platinum
 - (826) - Brushed Nickel
 - (849) - Oil Rubbed Bronze

Installation Notes

Refer to installation instructions included with fixture before beginning installation. Please confirm product availability and specifications before commencing with any installation work.

PRODUCT SPECIFICATIONS AND AVAILABILITY ARE SUBJECT TO CHANGE WITHOUT NOTICE.

Electrical Components and Electrical Specifications do not apply to non-jetted baths.

Technical Specifications

Dimensions

72" L x 42" W x 20-1/2" H
(1829 mm) L x (1067 mm) W x (521 mm) H

Drain/Overflow

A: 14-3/4" (375 mm) B: 8-1/2" (216 mm)

Cutout

70" x 40" (1778 mm x 1016 mm)

Total Weight

1026.4 lb (466 kg)/48.9 lb/ft² (239 kg/m²)

Operating Gallonage

67 U.S. Gal. (30 Liters)
Min. 56 U.S. Gal. (212 Liters)
Max. 77 U.S. Gal. (292 Liters)

Product Weight

135 lb (61 kg)

Skirt Mounting

Optional, U-Frame

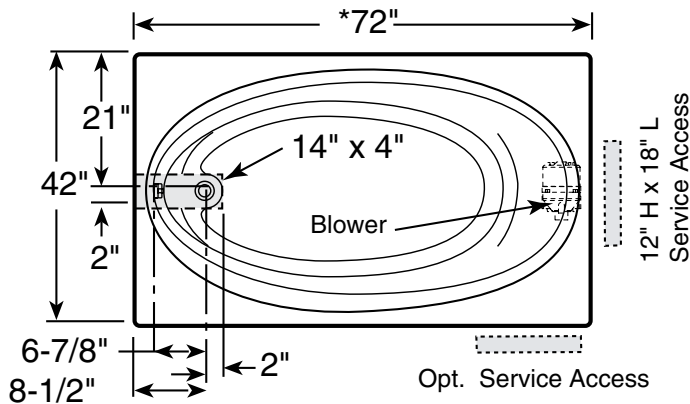
Electrical Specifications

Requires a dedicated GFCI protected separate circuit.

Blower: 120 VAC, 15 AMP, 60 Hz.

Heater

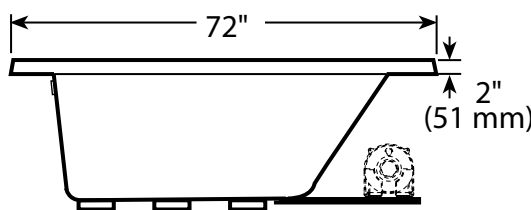
No water heater is available on this unit. Blower has integral air heater.



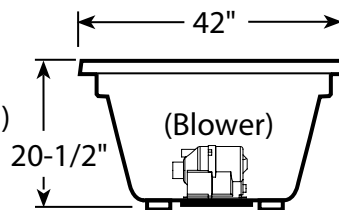
Product Shown: Nova™ 6 Pure Air II Bath Left Hand Model: EA10

* Measurements inside unit represent cutout in floor to allow for drain/overflow.

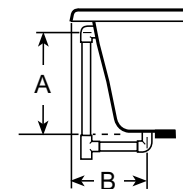
Minimum Service Access dimensions given.



SIDE VIEW



END VIEW



DRAIN/OVERFLOW