



Mito—in Italian, “myth.” Our Mito™—a whirlpool of fabled luxury. Think of the Mito™ as a fantastic experience. Legendary hydrotherapy in a roomy, bow-tie shaped bathing well.

WHIRLPOOL BATH FEATURES:

- 4 fully adjustable TheraPro™ jets with a maximum flow rate of 30 GPM per jet
- Electronic Control
- 2 directionally adjustable AccuPro™ foot jets
- Sculpted armrest
- Contoured backrest
- Exclusive Tru-Level™ base system
- Slip-resistant bottom

Detail: The Mito® whirlpool bath's sculpted interior features gracious curves, a deep bathing well, and integral armrests.



**Mito™ 6
WHIRLPOOL BATH**

MODEL NUMBER:
H523 – (RH pump)
H522 – (LH pump)

EXTERIOR DIMENSIONS:
72" long x 42" wide x
21½" high

**INTERIOR DIMENSIONS
(AT BOTTOM):**
43¾" long x 27" wide x
23" wide

OF JETS/TYPE OF JETS:
4 TheraPro™ Jets
2 AccuPro™ Foot Jets

OPERATING GALLONS:
76 gallons

**Mito™ 6
SOAKING BATH**

MODEL NUMBER:
H524

EXTERIOR DIMENSIONS:
72" long x 42" wide x
21½" high

INTERIOR DIMENSIONS:
43¾" long x 27" wide
x 23" wide



Mito™ 6 WHIRLPOOL BATH

H523 Mito™ 6 Whirlpool Bath, Right Hand Pump

H522 Mito™ 6 Whirlpool Bath, Left Hand Pump

Mito™ 6 SOAKER BATH

H524 Mito™ 6 Bath

- Center Drain Location
- Accessories / Hardware:
 - Trip-Lever Drain Kit #X559
 - Rotary Drain Kit, 26" Cable #8730
 - HTC Jet Trim Kit: #D095
 - 2 X BMH Jet Trim Kit: #J869
- Trim Kit Finishes Available:
 - (827) – Chrome
 - (898) – Brushed Chrome
 - (815) – Satin Nickel
 - (829) – Bright Brass
 - (805) – Platinum
 - (826) – Brushed Nickel
 - (849) – Oil Rubbed Bronze

INSTALLATION NOTES

Refer to installation instructions included with fixture before beginning installation. Please confirm product availability and specifications before commencing with any installation work.

PRODUCT SPECIFICATIONS AND AVAILABILITY ARE SUBJECT TO CHANGE WITHOUT NOTICE.

Electrical Components and Electrical Specifications do not apply to non-jetted baths.

Technical Specifications

DIMENSIONS

72" L x 42" W x 21-1/2" H
(1829 mm) L x (1067 mm) W x (546 mm) H

DRAIN/OVERFLOW

A: 17-1/2" (445 mm) B: 11-7/8" (302 mm)

CUTOUT

70" x 40"

TOTAL WEIGHT

H522, H523: 993 lb (450 kg) / 47 lb/sq. ft. (231 kg/m²)
H524: 969 lb (440 kg) / 46 lb/sq. ft. (225 kg/m²)

OPERATING GALLONAGE

76 U.S. Gal. (288 Liters)

PRODUCT WEIGHT

H522, H523: 110 lb (50 kg)
H524: 86 lb (39 kg)

SKIRT MOUNTING

Not Available

ELECTRICAL SPECIFICATIONS MODELS H522, H523 ONLY

Requires a dedicated GFCI protected separate circuit.

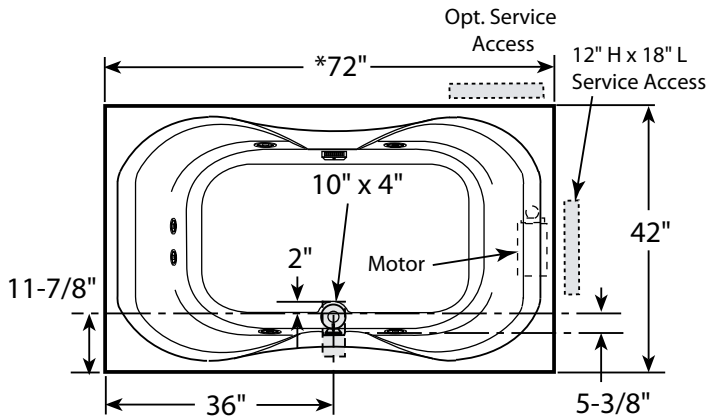
Motor/Pump: 120 VAC, 15 AMP, 60 Hz.

RapidHeat™: 120 VAC, 15 AMP, 60 Hz.

HEATER (OPTIONAL) MODELS H522, H523 ONLY

Requires a dedicated GFCI protected separate circuit.

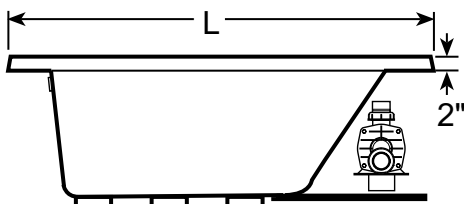
RapidHeat™: P/N S750000



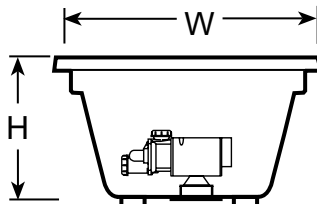
Product Shown: Mito® 6 Whirlpool Bath Right Hand Shown Model: H523

** Measurements inside unit represent cutout in floor to allow for drain/overflow.*

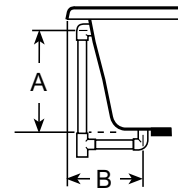
Minimum Service Access dimensions given.



SIDE VIEW



END VIEW



DRAIN/OVERFLOW