

majora® 6 whirlpool bath and soaking bath

this is majora®—“large” to the spanish-speaking. also a whirlpool bath of immense quality—a truly grand experience.



The Majora® offers a deep, oval well with six jets for larger than life restoration, muscle therapy and invigoration.

features:

- 4 fully adjustable TheraPro™ jets
- 2 directionally adjustable AccuPro™ jets
- Sculpted armrest and backrest
- Integral handrails
- Built-in tile flange and integral skirt with access panels on skirted models
- Electronic on/off controls
- Drain included on whirlpool baths

majora® 6 whirlpool bath

model number: H544 – RH, H543 – LH

exterior dimensions:
72" long x 42" wide x 19¾" high

interior dimensions (at bottom):
45" long x 27" wide

of Jets/type of Jets:
4 TheraPro™ Jets,
2 AccuPro™ Lumbar Jets

operating gallons:
70 gallons

majora® 6 soaking bath

model number: H545

exterior dimensions:
72" long x 42" wide x 19¾" high

interior dimensions (at bottom):
45" long x 27" wide





Majora® 6 Whirlpool Bath

Model: H543, H544

Majora® 6 Bath

Model: H545

Ordering Information

Product Code:

- H544 Majora® 6 Whirlpool Bath Right Hand
- H543 Majora® 6 Whirlpool Bath Left Hand
- H545 Majora® 6 Bath

- Right and Left Hand Drain Location
- Accessories / Hardware:
 - Trip-Lever Drain Kit: #X559
 - Rotary Drain Kit, 26" Cable: #8730
 - HTC Jet Trim Kit: #D095
 - BMH Jet Trim Kit: #J869
- Trim Kit Finishes Available:
 - (827) - Chrome
 - (898) - Brushed Chrome
 - (815) - Satin Nickel
 - (829) - Bright Brass
 - (805) - Platinum
 - (826) - Brushed Nickel
 - (849) - Oil Rubbed Bronze

Installation Notes

Refer to installation instructions included with fixture before beginning installation. Please confirm product availability and specifications before commencing with any installation work.

PRODUCT SPECIFICATIONS AND AVAILABILITY ARE SUBJECT TO CHANGE WITHOUT NOTICE.

Electrical Components and Electrical Specifications do not apply to non-jetted baths.

Technical Specifications

Dimensions

72" L x 42" W x 19-3/4" H
(1829 mm) L x (1067 mm) W x (502 mm) H

Drain/Overflow

A: 15-5/8" (397 mm) B: 10-1/2" (267 mm)

Cutout

70" x 40"

Total Weight

H543, H544: 937 lb (425 kg) / 45 lb/sq. ft. (218 kg/m²)
H545: 913 lb (414 kg) / 44 lb/sq. ft. (212 kg/m²)

Operating Gallonage

70 U.S. Gal. (265 Liters)

Product Weight

H543, H544: 104 lb (47 kg)
H545: 80 lb (36 kg)

Skirt Mounting

Not Available

Electrical Specifications Models H543, H544 only

Requires a dedicated GFCI protected separate circuit.

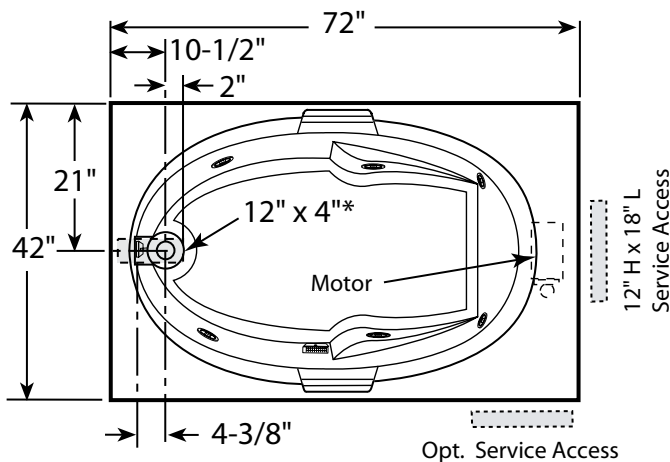
Motor/Pump: 120 VAC, 15 AMP, 60 Hz.

RapidHeat™: 120 VAC, 15 AMP, 60 Hz.

Heater (Optional) Models H543, H544 only

Requires a dedicated GFCI protected separate circuit.

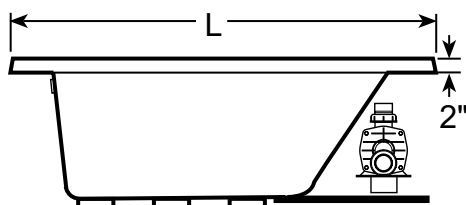
RapidHeat™: P/N S750000



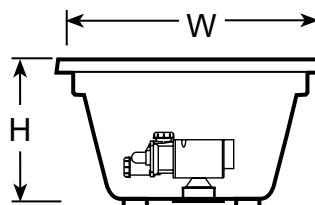
Product Shown: Majora® 6 Whirlpool Bath Left Hand Model: H543

* Measurements inside unit represent cutout in floor to allow for drain/overflow.

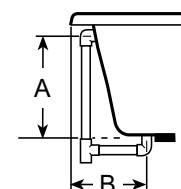
Minimum Service Access dimensions given.



SIDE VIEW



END VIEW



DRAIN/OVERFLOW