

majora® 6 whirlpool bath and soaking bath with integral skirt

this is majora®—"large" to the spanish-speaking. also a whirlpool bath of immense quality—a truly grand experience.



The Majora® offers a deep, oval well with six jets for larger than life restoration, muscle therapy and invigoration.

features:

- 4 fully adjustable TheraPro™ jets
- 2 directionally adjustable AccuPro™ jets
- Sculpted armrest and backrest
- Integral handrails
- Built-in tile flange and integral skirt with access panels on skirted models
- Electronic on/off controls
- Drain included on whirlpool baths

majora® 6 (with integral skirt) whirlpool bath

model number: K640 - RH, K615 - LH

exterior dimensions:
72" long x 42" wide x 19¾" high

interior dimensions (at bottom):
45" long x 27" wide

of Jets/type of Jets:
4 TheraPro™ Jets,
2 AccuPro™ Lumbar Jets

operating gallons:
70 gallons

majora® 6 (with integral skirt) soaking bath

model number: K618 - LH, K643 - RH

exterior dimensions:
72" long x 42" wide x 19¾" high

interior dimensions (at bottom):
45" long x 27" wide





Majora[®] 6 Whirlpool Bath with Integral Skirt

Model: K640, K615

Majora[®] 6 Bath with Integral Skirt

Model: K618, K643

Ordering Information

Product Code:

K640 Majora[®] 6 Whirlpool Bath with Integral Skirt Right Hand

K615 Majora[®] 6 Whirlpool Bath with Integral Skirt Left Hand

K643 Majora[®] 6 Bath with Integral Skirt Right Hand

K618 Majora[®] 6 Bath with Integral Skirt Left Hand

- Right and Left Hand Drain Location

- Accessories / Hardware:

Trip-Lever Drain Kit: #X559

Rotary Drain Kit, 26" Cable: #8730

HTC Jet Trim Kit: #D095

BMH Jet Trim Kit: #J869

- Trim Kit Finishes Available:

(827) - Chrome

(898) - Brushed Chrome

(815) - Satin Nickel

(829) - Bright Brass

(805) - Platinum

(826) - Brushed Nickel

(849) - Oil Rubbed Bronze

Installation Notes

Refer to installation instructions included with fixture before beginning installation. Please confirm product availability and specifications before commencing with any installation work.

PRODUCT SPECIFICATIONS AND AVAILABILITY ARE SUBJECT TO CHANGE WITHOUT NOTICE.

Electrical Components and Electrical Specifications do not apply to non-jetted baths.

Technical Specifications

Dimensions

72" L x 42" W x 19-3/4" H
(1829 mm) L x (1066 mm) W x (502 mm) H

Drain/Overflow

A: 15-5/8" (397 mm) B: 10-1/2" (267 mm)

Cutout

Not Applicable

Total Weight

K640, K615: 947 lb (430 kg) / 45 lb/sq. ft. (220 kg/m²)

K618, K643: 923 lb (419 kg) / 44 lb/sq. ft. (215 kg/m²)

Operating Gallonage

70 U.S. Gal. (265 Liters)

Product Weight

K640, K615: 114 lb (52 kg)

K618, K643: 90 lb (41 kg)

Skirt Mounting

Integral

Electrical Specifications Models K640, K615 only

Requires a dedicated GFCI protected separate circuit.

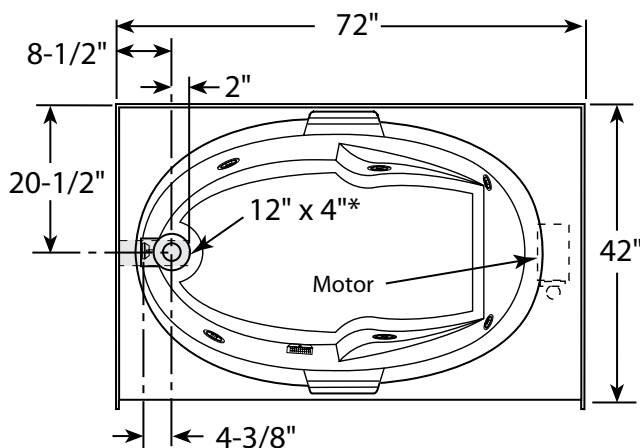
Motor/Pump: 120 VAC, 15 AMP, 60 Hz.

RapidHeat™: 120 VAC, 15 AMP, 60 Hz.

Heater (Optional) Models K640, K615 only

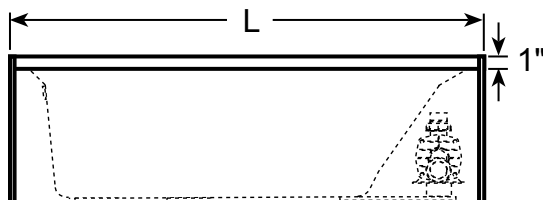
Requires a dedicated GFCI protected separate circuit.

RapidHeat™: P/N S750000

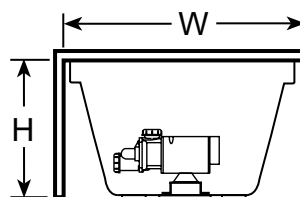


Product Shown: Majora[®] 6 Whirlpool Bath with Integral Skirt Left Hand Model: K615

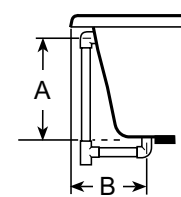
* Measurements inside unit represent cutout in floor to allow for drain/overflow.



SIDE VIEW



END VIEW



DRAIN/OVERFLOW