



Mito means “myth” in Italian. Our Mito™ Pure Air® II bath is just the thing dreams are made of. Think of the Mito™ as a fantastic experience. Legendary hydrotherapy in a roomy, bow-tie shaped bathing well.

FEATURES:

- Exclusive 360° Balanced Airflow™ system
- 600 watt variable speed heated air blower
- Thermal Lumbar Comfort™ (TLC)
- Timed purge cycle
- Safely use salts and aromatic oils
- PrO3™ Ozone Sanitation System standard



**Mito™ 5
PURE AIR® II BATH**

MODEL NUMBER:
EA70 (RH)

EXTERIOR DIMENSIONS:
60" long x 42" wide x
21" high

INTERIOR DIMENSIONS:
34½" long x 25½" wide
x 22" wide

OPERATING GALLONS:
56 gallons

Detail: A wonderfully deep bathing well and sculpted armrests form the inside of our Mito™ Pure Air® II bath. Simple, clean lines complete the stylish picture.

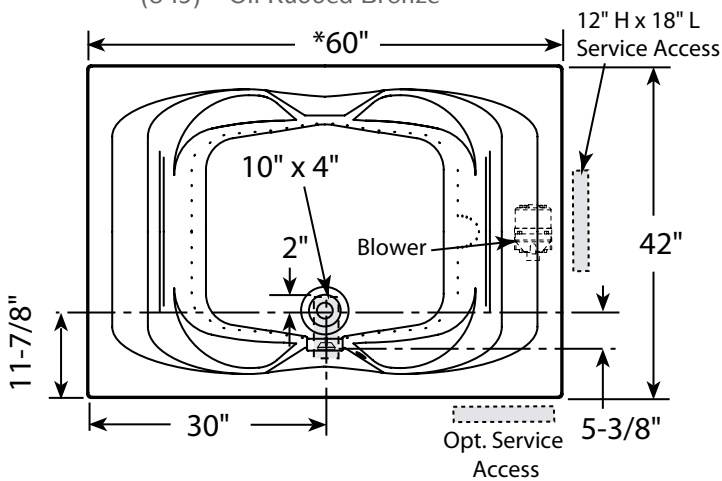




Mito™ 5 PURE AIR® II BATH

EA70 Mito™ 5 Pure Air® II Bath, Right Hand

- Center Drain Location
- Accessories / Hardware:
 - Trip-Lever Drain Kit #X559
 - Rotary Drain Kit, 26" Cable #8730
- Trim Kit Finishes Available:
 - (827) – Chrome
 - (898) – Brushed Chrome
 - (815) – Satin Nickel
 - (829) – Bright Brass
 - (805) – Platinum
 - (826) – Brushed Nickel
 - (849) – Oil Rubbed Bronze



**Product Shown: Mito™ 5 Pure Air II Bath
Right Hand Shown Model: EA70**

* Measurements inside unit represent cutout in floor to allow for drain/overflow.

Minimum Service Access dimensions given.

INSTALLATION NOTES

Refer to installation instructions included with fixture before beginning installation. Please confirm product availability and specifications before commencing with any installation work.

PRODUCT SPECIFICATIONS AND AVAILABILITY ARE SUBJECT TO CHANGE WITHOUT NOTICE.

Technical Specifications

DIMENSIONS

60" L x 42" W x 21" H
(1524 mm) L x (1067 mm) W x (533 mm) H

DRAIN/OVERFLOW

A: 17-1/2" (445 mm) B: 11-7/8" (302 mm)

CUTOUT

58" x 40" (1778 mm x 1016 mm)

TOTAL WEIGHT

915 lb (415 kg) / 52 lb/ft² (255 kg/m²)

OPERATING GALLONAGE

56 U.S. Gal. (212 Liters)

PRODUCT WEIGHT

109 lb (49 kg)

SKIRT MOUNTING

Optional U-Frame

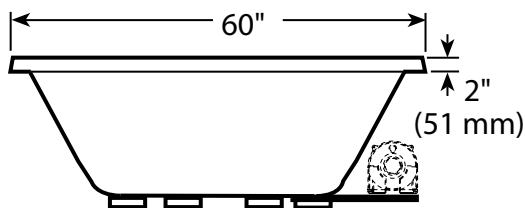
ELECTRICAL SPECIFICATIONS MODELS

Requires a dedicated GFCI protected separate circuit.

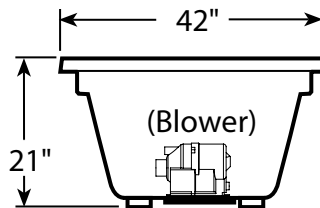
Blower: 120 VAC, 15 AMP, 60 Hz.

HEATER

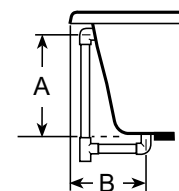
No water heater is available on this unit. Blower has integral air heater.



SIDE VIEW



END VIEW



DRAIN/OVERFLOW