

luxura™ 5 whirlpool bath and soaking bath with 3 tile flange

luxura means, quite literally "luxury"—and what more could you ask? simply, your water never felt this good.



Perfectly stylish in contemporary décors, but wonderfully relevant in more classic settings, the Luxura® bath is both a restorative and retrofit dream.

features:

- Contoured backrest.
- 4 Fully adjustable TheraPro™ jets
- 2 AccuPro™ foot jets.
- Exclusive Tru-Level™ base system.
- Slip-resistant bottom.
- Patented Silent Air™ Induction system.
- Drain included on whirlpool baths

luxura™ 5 (with 3 tile flange) whirlpool bath

model number: F941 - LH, F942 - RH

exterior dimensions:
60" long x 32" wide x 20¼" high

interior dimensions:
44½" long x 20" wide

of Jets/type of Jets:
4 TheraPro™ Jets,
2 AccuPro™ Foot Jets

operating gallons:
44 gallons

luxura™ 5 (with 3 tile flange) soaking bath

model number: F943 - LH, H168 - RH

exterior dimensions:
60" long x 32" wide x 20¼" high

interior dimensions:
44½" long x 20" wide





Luxura™ 5 Whirlpool Bath with 3 Tile Flange

Model: F941, F942

Luxura™ 5 Bath with 3 Tile Flange

Model: F943, H168

Ordering Information

Product Code:

- F942 Luxura™ 5 Whirlpool Bath with 3 Tile Flange Right Hand
- F941 Luxura™ 5 Whirlpool Bath with 3 Tile Flange Left Hand
- H168 Luxura™ 5 Bath with 3 Tile Flange Right Hand
- F943 Luxura™ 5 Bath with 3 Tile Flange Left Hand

- Right and Left Hand Drain Location
- Accessories / Hardware:
 - Trip-Lever Drain Kit: #X559
 - Rotary Drain Kit, 26" Cable: #8730
 - HTC Jet Trim Kit: #D095
 - BMH Jet Trim Kit: #J869
- Trim Kit Finishes Available:
 - (827) - Chrome
 - (898) - Brushed Chrome
 - (815) - Satin Nickel
 - (829) - Bright Brass
 - (805) - Platinum
 - (826) - Brushed Nickel
 - (845) - Oil Rubbed Bronze

Installation Notes

Refer to installation instructions included with fixture before beginning installation. Please confirm product availability and specifications before commencing with any installation work.

PRODUCT SPECIFICATIONS AND AVAILABILITY ARE SUBJECT TO CHANGE WITHOUT NOTICE.

Electrical Components and Electrical Specifications do not apply to non-jetted baths.

Technical Specifications

Dimensions

60" L x 32" W x 20-1/4" H
(1524 mm) L x (813 mm) W x (514 mm) H

Drain/Overflow

A: 15-1/4" (387 mm) B: 8-1/4" (210 mm)

Cutout

Not Applicable

Total Weight

F941, F942: 697 lb (264 kg) / 52 lb/sq. ft. (255 kg/m²)
F943, H168: 672 lb (305 kg) / 50 lb/sq. ft. (246 kg/m²)

Operating Gallonage

44 U.S. Gal. (167 Liters)
Max. 50 U.S. Gal. (189 Liters)

Product Weight

F941, F942: 80 lb (36 kg)
F943, H168: 55 lb (25 kg)

Skirt Mounting

Optional, U-Frame

Electrical Specifications Models F941, F942 only

Requires a dedicated GFCI protected separate circuit.

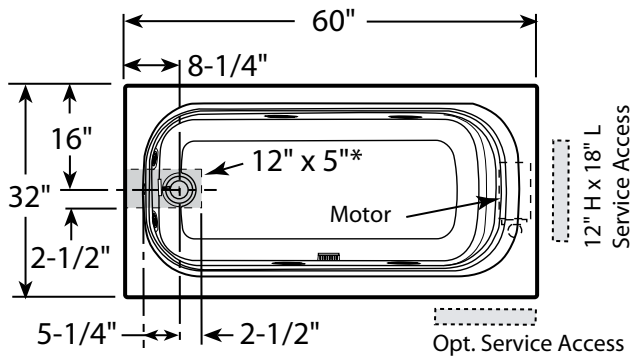
Motor/Pump: 120 VAC, 15 AMP, 60 Hz.

RapidHeat™: 120 VAC, 15 AMP, 60 Hz.

Heater (Optional) Models F941, F942 only

Requires a dedicated GFCI protected separate circuit.

RapidHeat™: P/N S750000



Product Shown: Luxura™ 5 Whirlpool Bath with 3 Tile Flange Left Hand Model: F941

* Measurements inside unit represent cutout in floor to allow for drain/overflow.

Minimum Service Access dimensions given.

