



**COMFORT WHIRLPOOL  
BATH SERIES**

**INSTALLATION AND OPERATION INSTRUCTIONS**

**Jacuzzi® Luxury Bath**

14525 Monte Vista Avenue  
Chino, CA 91710  
1-800-288-4002  
[www.jacuzzi.com](http://www.jacuzzi.com)

## Contents

Contents.....	2
Product Information.....	2
Safety Instructions.....	3
Operational Safety Instructions.....	4
Operational Safety Instructions.....	5
Introduction.....	7
Inspection and Testing.....	9
Framing and Support.....	10
Electrical Connections.....	11
Drop-in Installation.....	13
3-Wall Alcove Installation.....	15
Skirt Installation.....	15
Undermount Installation.....	16
Cleanup.....	16
General Operation Information.....	17
Whirlpool Operation.....	17
Controlling Whirlpool Direction and Flow.....	18
Purging the Whirlpool System.....	19
Bathtub Additives.....	19
Maintenance.....	19
Troubleshooting Procedures.....	20
Technical Specifications.....	21
Authorized Service.....	34
Warranty.....	35

## Product Information



Save these instructions for future use. Use the form below to record your model and serial number for future reference.

Date Purchased \_\_\_\_\_

Purchased From \_\_\_\_\_

Installed By \_\_\_\_\_

Serial Number \_\_\_\_\_


Model \_\_\_\_\_

**Installer:** Leave the manual for the homeowner.

**Homeowner:** Read this manual and keep for future reference.


**Safety Instructions****INSTRUCTIONS PERTAINING TO A RISK OF FIRE, ELECTRIC SHOCK, OR INJURY TO PERSONS.**


This is a professional grade product. A knowledge of construction techniques, plumbing and electrical installation according to codes are required for proper installation and user satisfaction. We recommend that a licensed contractor perform the installation of all Jacuzzi® Luxury Bath products. Our warranty does not cover improper installation related problems.


 **CAUTION:** When using this unit, basic precautions should always be performed, including the following:

- **READ AND FOLLOW ALL INSTRUCTIONS. SAVE THESE INSTRUCTIONS.**











- Use this unit only for its intended use as described in this manual. Do not use attachments not recommended by the manufacturer.
- Never drop or insert any object into any opening.

 **WARNING:** RISK OF ACCIDENTAL INJURY OR DROWNING!  
Do not permit children to use this unit unless they are closely supervised at all times. Do not use hydromassage bathtubs unless all suction guards are installed to prevent body and hair entrapment. Never operate the hydromassage bath if the suction cover is broken, damaged or missing

 **DANGER:** RISK OF SEVERE INJURY FROM ELECTRIC SHOCK OR DEATH FROM ELECTROCUTION!  
This unit must be connected only to a supply circuit that is protected by a 15 amp ground fault circuit interrupter (GFCI). Such a GFCI should be provided by the installer and should be tested on a routine basis. To test the GFCI, push the test button. The GFCI should interrupt power. Push the reset button. Power should be restored. If the GFCI fails to operate in this manner, the GFCI is defective. If the GFCI interrupts power to the bathtub without the test button being pushed, a ground current is flowing, indicating a possibility of an electric shock. Do not use this hydromassage bathtub. Disconnect the hydromassage bathtub and have the problem corrected by a qualified service representative before using.

 **WARNING:** RISK OF ELECTRIC SHOCK!  
Do not permit electrical appliances (such as a hair dryer, lamp, telephone, radio or television) within 60" (1524mm) of this hydromassage bathtub. Connect only to a circuit protected by a ground fault circuit interrupter (GFCI). (For permanently connected units) A green colored terminal (or a wire connector) marked "G," "GR," "GROUND," or "GROUNDING" is provided within the terminal compartment. To reduce the risk of electric shock, connect the terminal or connector to the grounding terminal of your electric service or supply panel with a conductor equivalent in size to the circuit conductors supplying the equipment.

**Operational Safety Instructions**

-  **WARNING:** Do not operate this unit without the guard over the intake for the circulation pump (suction cover/strainer).
-  **CAUTION:** This equipment is intended for indoor use only. Install the equipment in accordance with these instructions. Use supply wires that are suitable for 167°F (75°C), including the temperature rating of the supply conductors to be used. This unit should be electrically grounded and installed by a licensed contractor, electrician, and plumber. Building materials and wiring should be routed away from the motor/pump or blower or other heat producing components of this unit. A pressure wire connector is provided on the exterior of the motor/pump and heater to permit connection of an No. 8 AWG solid copper bonding conductor between this unit and all other electric equipment and exposed metal in the vicinity, as needed to comply with local requirements.
-  When using this electrical equipment, basic safety precautions should always be followed, including the following:
-  **WARNING:** RISK OF ACCIDENTAL INJURY OR DROWNING! CHILDREN SHOULD NOT USE HYDROMASSAGE BATHTUB WITHOUT ADULT SUPERVISION.
-  **WARNING:** RISK OF ACCIDENTAL INJURY OR DROWNING! DO NOT USE HYDROMASSAGE BATHTUB UNLESS ALL SUCTION GUARDS ARE INSTALLED TO PREVENT BODY AND HAIR ENTRAPMENT.
-  **WARNING:** TO AVOID INJURY, EXERCISE CARE WHEN ENTERING OR EXITING THE HYDROMASSAGE BATHTUB.
-  **WARNING:** RISK OF ACCIDENTAL INJURY OR DROWNING! DO NOT USE DRUGS OR ALCOHOL BEFORE OR DURING THE USE OF A HYDROMASSAGE BATHTUB EQUIPPED WITH A HEATER TO AVOID UNCONSCIOUSNESS AND POSSIBLE DROWNING.
-  **WARNING:** RISK OF FETAL INJURY! PREGNANT OR POSSIBLY PREGNANT WOMEN SHOULD CONSULT A PHYSICIAN BEFORE USING A HYDROMASSAGE BATHTUB EQUIPPED WITH A HEATER.
-  **WARNING:** RISK OF HYPERTHERMIA AND POSSIBLE DROWNING: DO NOT USE A HYDROMASSAGE BATHTUB EQUIPPED WITH A HEATER IMMEDIATELY FOLLOWING STRENUOUS EXERCISE.
-  **SAVE THESE INSTRUCTIONS .**

**Operational Safety Instructions****WARNING:**

**RISK OF HYPERTHERMIA AND POSSIBLE DROWNING!**  
Do not use a hydromassage bathtub equipped with a heater immediately following strenuous exercise.

**WARNING:**

**RISK OF ELECTRICAL SHOCK!**

- Do not operate hydromassage system unless the bath is filled with water to at least 1-2" (25-51 mm) above the highest jet.
- Do not immerse the control panel by overfilling the bath.
- When cleaning your bath, do not use abrasive substances which will damage the bath's surface.
- To prevent discoloration of the acrylic finish, do not fill the bath with water in excess of 140°F (60°C).

**WARNING:**

**PROLONGED IMMERSION IN HOT WATER MAY INDUCE HYPERTHERMIA!**

Hyperthermia occurs when the internal temperature of the body reaches a level several degrees above the normal body temperature of 98.6°F (37°C). The symptoms of hyperthermia include an increase in the internal temperature of the body, dizziness, lethargy, drowsiness and fainting. The effects of hyperthermia include:

- A. Failure to perceive heat.
- B. Failure to recognize the need to exit the bath.
- C. Unawareness of impending hazard.
- D. Fetal damage in pregnant women.
- E. Physical inability to exit the bath.
- F. Unconsciousness resulting in danger of drowning.

**WARNING:**










**RISK OF FETAL INJURY!**

Pregnant or possibly pregnant women should consult a physician before using a hydromassage bathtub equipped with a heater.

**WARNING:**

Keep body and hair a minimum of 6" (152mm) away from the suction fitting at all times when the hydromassage system is in operation. Hair longer than shoulder length should be secured close to the head.

**Operational Safety Instructions (cont)**

-  **WARNING:** The use of alcohol, drugs or medication can greatly increase the risk of fatal hyperthermia. People using medications or having an adverse medical history should consult a physician before using a hydromassage bathtub equipped with a heater.
-  **WARNING:** Do not tamper with user-operated controls or such devices.
-  **WARNING:** Use this unit only for its intended use as described in this manual. Do not use attachments not recommended by the manufacturers.
-  **WARNING:** To avoid injury, exercise caution when entering or exiting the hydromassage bathtub.
-  **WARNING:** Do not use hydromassage bathtub unless all suction guards are installed to prevent body and hair entrapment. Never operate the hydromassage bath if the suction cover is broken, damaged or missing.
-  **WARNING:** Water temperature in excess of 104°F (40°C) may be injurious to your health. Check and adjust water temperature before use.
-  **CAUTION:** Test the ground fault circuit interrupter protecting this appliance periodically in accordance with manufacturer's instructions.
-  **IMPORTANT:** Read the complete instructions provided in this manual before beginning installation.
-  **IMPORTANT:** For optimal operation, the water level must remain at 1" to 2" (25mm to 50mm) above the highest jet; do not use oil-based bathtub additives in your hydromassage bathtub.

The Company has obtained applicable code (standards) listings generally available on a national basis for products of this type. It is the responsibility of the installer/owner to determine specific local code compliance prior to installation of the product. The Company makes no representation or warranty regarding, and will not be responsible for any code compliance. Product specifications are subject to change without notice.

## Introduction

The drain/overflow of the bath extends below the bottom of the bath. Note that this requires a cutout in the floor.

**The floor structure beneath the bath must be able to support a total weight of bath, water, and bather. Refer to the table under total weight for your model.**

The unit must be supported from the bottom of the bath and **not** from the bath rim or tile flange. If the subfloor is level and a continuous surface, no other preparation is necessary. You can proceed to install the bath. If the subfloor is not level, you **MUST** level the entire surface prior to installing the bath. The use of materials that shim or provide a level installation are allowed provided the method used will insure a level bath that is supported from the bottom. Materials that may be used are a floor leveling compound, mortar, plaster or minimal expansion structural foam having a density of a minimum of 5 lbs./cubic ft.; however, the bath must remain level in order for it to drain properly and all foam feet must make full contact with the leveling material. Both sides of a joint or splice of subfloor should be level to each other. When attaching baths with flanges to stud wall, use shims to fill any gaps between the bath flange and studs.

The rim of the bath is not designed to support weight. If finish material is to overlap or contact the bath, the added weight must be fully self-supporting.

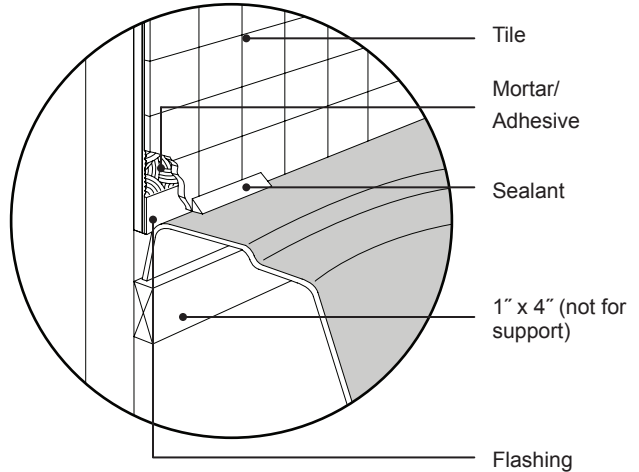


If a skirt is to be used, it must be installed at the time of unit installation – refer to skirt installation instructions. Install optional trim parts when all installation has been completed.

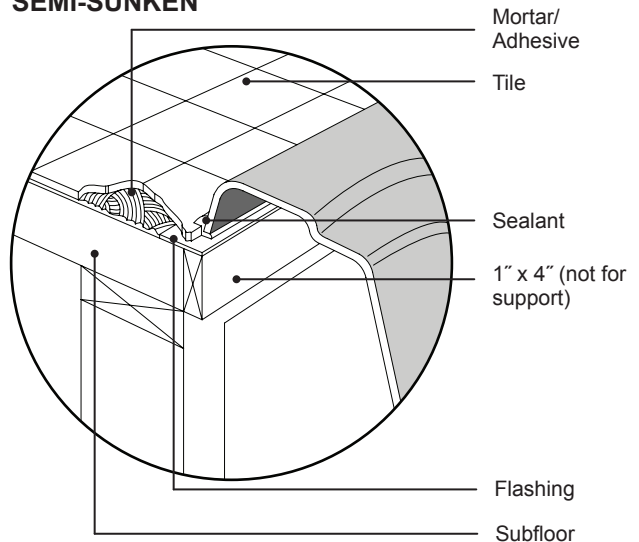


On the Riva™ 5 and Riva™ 6, the discharge plumbing extends slightly beyond the bath rim. When installing either bathtub as semi-sunken, lower the pump/motor side in first into the cut out.

### FLUSH TO THE WALL



### SEMI-SUNKEN



### OPTIONAL TILE FLANGE KIT

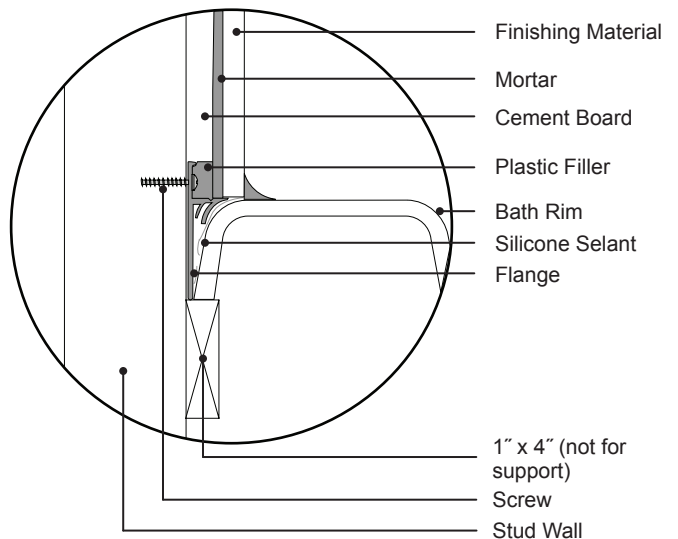


Figure 1

**Typical Flange Mounting Detail**

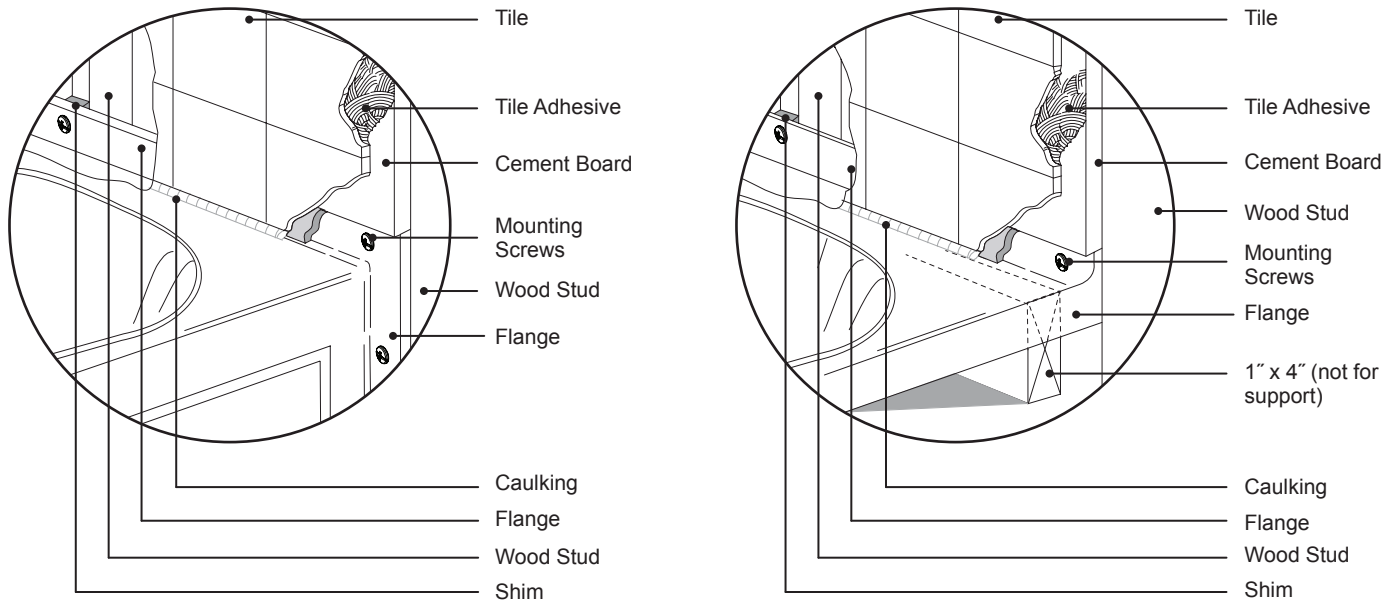


Figure 2

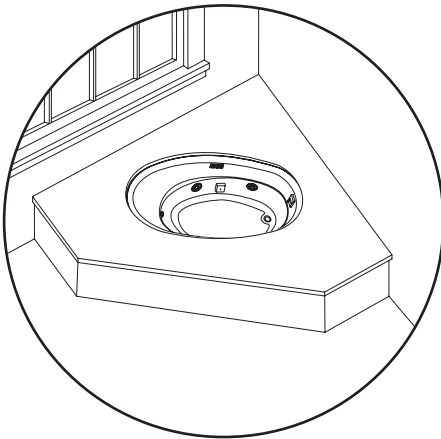


The shims may be used to tighten, or close, up any remaining gaps between the flange and the wood stud.

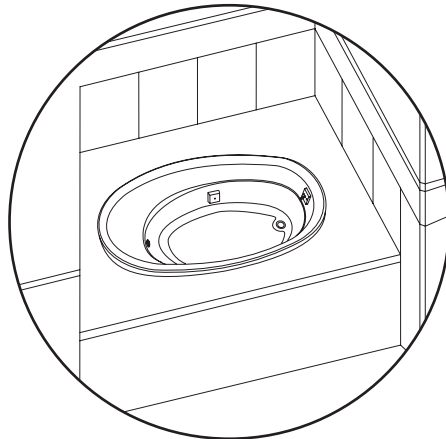
**Undermount Installation Options**



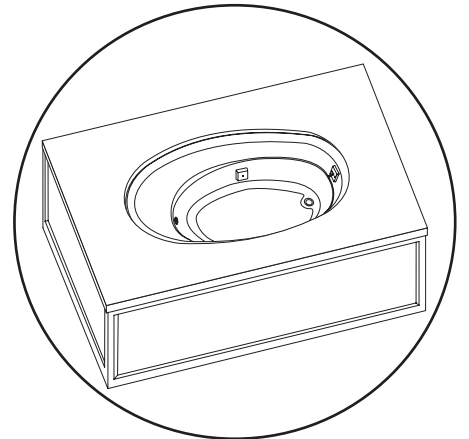
The undermount allows for the opportunity to be flexible in the design and location of the bathtub. Examples are shown for possible installations. Refer to the "Undermount Installation" section.



**CORNER**



**NICHE**



**FREE STANDING**

Figure 3



## Inspection and Testing

### Visual Inspection

- 1 Remove the bathtub from the shipping carton. Be careful not to scratch the surface of the bathtub on exposed staples. Remove the staples or fold them into the carton. Retain the carton until satisfactory inspection of the product has been made. Do not lift the bathtub by the plumbing at any time; handle by the shell only.
- 2 Inspect the shell and bathtub components. Should inspection reveal any damage or defect in the finish or visible damage to any components, do not install the bathtub. Damage or defect to the finish claimed after the bathtub is installed is excluded from the warranty. Jacuzzi Luxury Bath's responsibility for shipping damage ceases upon delivery of the products in good order to the carrier.
- 3 Refer any claims for damage to the carrier. For definitions of warranty coverage and limitations, refer to the published warranty information packed with the product or in the back of this manual.

### Bathtub Water and Operational Test

All bathtub units are factory tested for proper operation and watertight connections prior to shipping. However, the unit must be retested by the installer prior to installation. Jacuzzi Luxury Bath is not responsible for any defect that could have been discovered, repaired, or avoided by following this inspection and testing procedure:

- 1 Place the bathtub on a level surface, near appropriate electrical supply, water supply, and water drainage. A driveway is a suitable choice.
- 2 Seal the drain and overflow hole with tape or a stopper and fill the bathtub to the bottom of the overflow hole.
- 3 Allow bathtub to stand for 5 minutes.
- 4 Plug in motor/pump and turn unit on. Confirm that all features function as described in the Operation section of this manual. Do not install the bathtub if bathtub fails to operate as described.
- 5 Visually inspect all joints for leaks. Do not install the bathtub if leaks are detected.
- 6 Return bathtub to box or otherwise protect from damage until time of installation.

## Framing and Support

A technical specifications manual has been included with your bathtub. The Technical Specifications Manual will contain pertinent information regarding your Jacuzzi Luxury Bath product. Locate the Technical Specifications Manual at this time.

Frame out the space where the bathtub is to be located. The following should be taken into consideration when preparing the area:

- Dimensions provided on rough-in diagrams are nominal. Measure your actual unit upon receipt and build according to the actual dimensions.
- The floor structure beneath the bathtub must be able to support the total weight of the bathtub, water and bather.
- The unit must be supported from the bottom of the bathtub and not from the bathtub rim. For drop-in installations, take into account the thickness of the surround material and finishing material (marble, tile, etc.).
- Ensure the rim will rest on a level surface.
- Per code, access must be provided to the motor/pump for your specific model. Primary and secondary service access locations are shown in the rough-in diagrams contained in the Technical Specifications Manual.



It is the responsibility of the installer, building contractor, or owner to provide access for service. Jacuzzi is not responsible for any costs relating to obtaining access for repair. The owner shall bear such costs and, if appropriate, must seek recovery from the installer.

- Provide adequate ventilation for cooling and supply sufficient air for the motor/pump. Do not insulate around the equipment.
- Your bathtub may have motor/pump parts that extend beyond the rim of the bathtub. Refer to the rough-in diagrams included in the warranty pack and construction framing to correctly accommodate.

### Common Access Locations

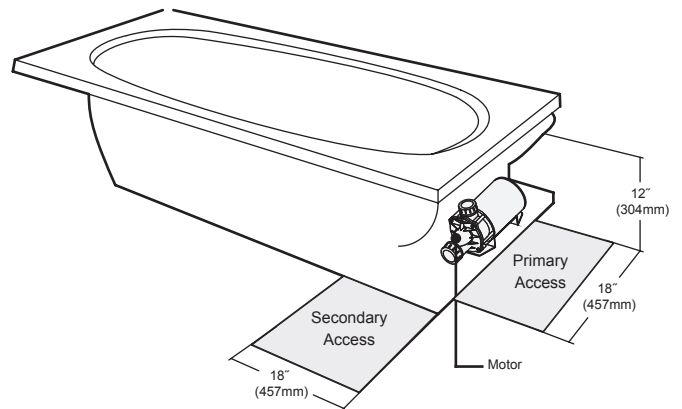
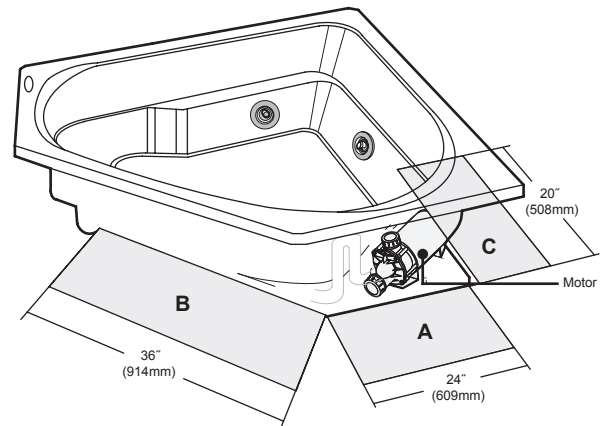


Figure 4



- A** = Primary access
- B** = Acceptable alternative if access **A** is not possible
- C** = Secondary access for equipment (optional)



Left hand unit access is on the opposite side (mirror).

Figure 5

## Subfloor

Prepare the subfloor for the drain and ensure that the area is level.

- 1 The drain/overflow of the bathtub extends below the bottom of the bathtub. Identify the drawing in the Technical Specifications Manual that corresponds with your bathtub.
- 2 Make appropriate cuts to the subfloor to accommodate the drain.
- 3 Jacuzzi's Tru-Level™ base is a standard feature on all bathtubs. If the subfloor is level and a continuous surface, no other preparation is necessary. Proceed to the "Installation" section.
- 4 If the subfloor is not level, you must level the entire surface prior to installing the bathtub. The materials used will insure that the bathtub is supported from the bottom. These materials include: leveling compound, mortar, plaster or minimal expansion structural foam (having a density of a minimum 5lbs/cubic foot). The bathtub must remain level in order for it to drain properly and must make contact with the leveling material. Both sides of a joint or splice of subfloor should be level to each other.

### Electrical Connections



Risk of electric shock. Connect only to a dedicated circuit protected by a GFCI.



When using electrical products, basic precautions should always be followed:

- Always follow local building and electrical codes.
- Grounding is required. The unit should be installed and grounded by a qualified electrician.

A separate, dedicated 120VAC, 15 Amp GFCI circuit is required for the pump/motor.



Risk of component overheat. Do not use electric extension cord to power this unit.



Operating the motor/pump without enough water in the bathtub can cause leaking and permanent damage.

### Pump and Motor

The information provided below is applicable to all Jacuzzi Luxury Bath units.



Electrical outlets must be mounted 4" (101mm) above the floor line, or in accordance with local building and electrical codes.

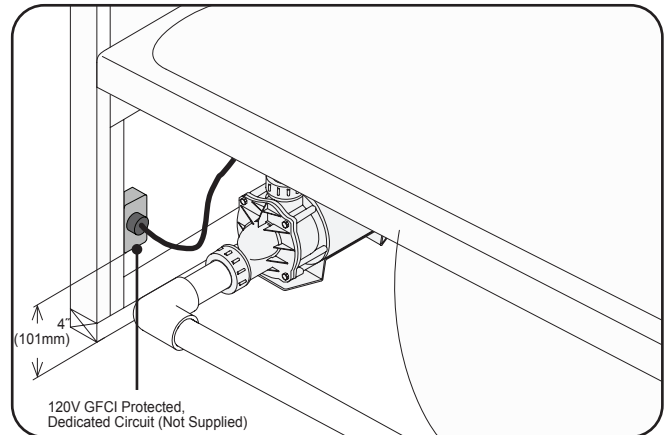
#### Pump/Motor

- The pump/motor requires a dedicated 120 VAC, 15 AMP GFCI protected circuit. The electrical outlet is not provided.
- Bonding lugs are provided on the heater and motor to satisfy local electrical codes.
- At initial start-up, test GFCI units for proper operation. Follow manufacturer's instructions on proper use.

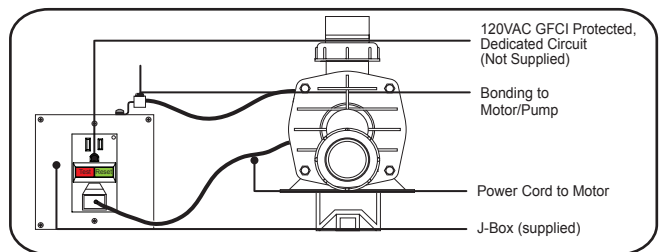


On the following corner units (Capella 55 with integral skirt, Capella 60 with integral skirt and Tara with integral skirt), a junction box has been provided. To access, remove skirt access panel. See top views in Rough-In section for location.

A dedicated and GFCI protected circuit is required for pump/motor and is to be installed in the junction box. The junction box is to be hard wired. The motor is grounded to the junction box at the factory.



Pump/Motor



Pump/Motor (Corner Units)

Capella 55 with skirt, Capella 60 with skirt, Tara with skirt - Junction Box

Figure 6



If the GFCI units indicate a malfunction, per manufacturer's instructions, turn OFF power and do not use the bathtub until the source of the problem has been identified and corrected by a licensed electrician.

### Reference Illustrations



These illustrations are for reference only, as the unit comes fully assembled.



Risk of electric shock. Before servicing the unit, disconnect all power supply cables to all 120VAC services.

#### J2 Control Panel Schematic Diagram

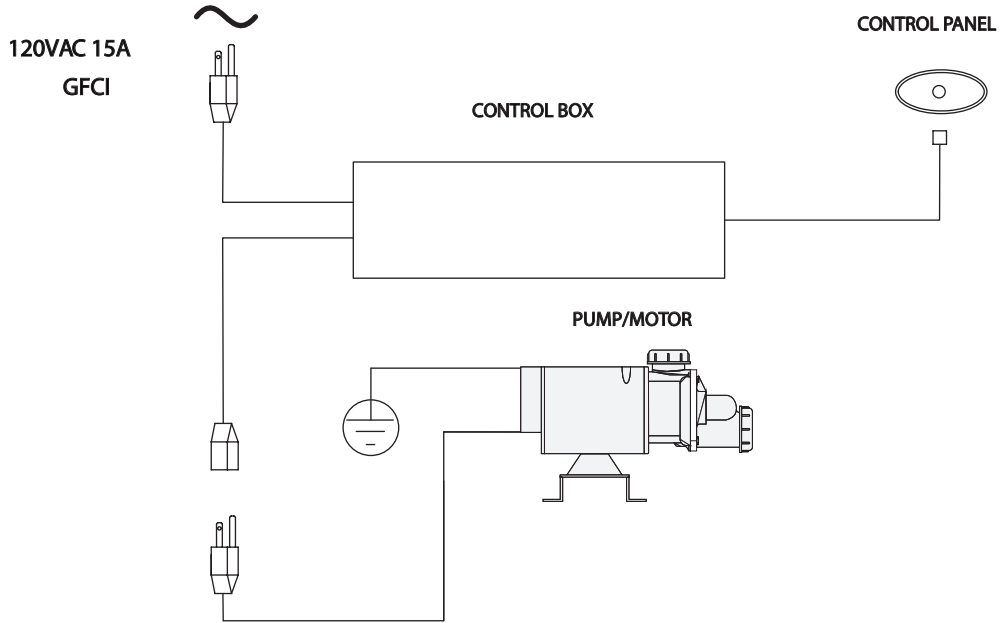


Figure 7

## Drop-in Installation



Before you begin your installation, please read the following:

- Observe all local and building codes.
- Determine which tools will be used during the installation.
- Additional bathtub drain parts and plumbing are commercially available at plumbing and hardware stores.
- Drain/Overflow rough-in information is included with your bathtub in the installation instruction manual.

Complete the bathtub surround installation.

- 1 Install drain/overflow according to the manufacturer's instructions. Refer also to the Technical Specifications Manual.



Watertight installation of the drain is the installer's responsibility. Drain leakage is excluded from the Jacuzzi Luxury Bath warranty of this product.



Install the faucet at this time. It is recommended that the faucet be installed by a qualified plumber.



Proper installation of the spout plumbing and compliance with local codes are the responsibility of the installer. Jacuzzi Luxury Bath does not warrant connections of water supply fittings and piping, fill systems, or drain/overflow systems. Nor is it responsible for damage to the bathtub which may occur during installation.



A non-flammable protective barrier must be placed between the soldering work and the bathtub unit to prevent damage to the bathtub.



3 Prepare the cut-out hole for the bathtub using either the provided full scale template or the cutout dimensions listed in the specifications table in the Technical Specifications Manual.



The template may show guides for more than one bathtub, be certain to select the appropriate guide lines. If under mounting is an option, be careful to select the guide lines that apply to the installation that you are performing.



4 Complete all deck finish work and cover to protect from damaging while placing the bathtub.



5 Insulation may be placed within the bathtub surround.



Provide adequate ventilation around the motor/pump to ensure sufficient airflow and cooling.



6 Turn off power supply to dedicated GFCI protected circuits.



7 Place a piece of scrap lumber on each of the ends of the cutout – this will be used as a temporary support prior to lowering the bathtub fully into the opening.

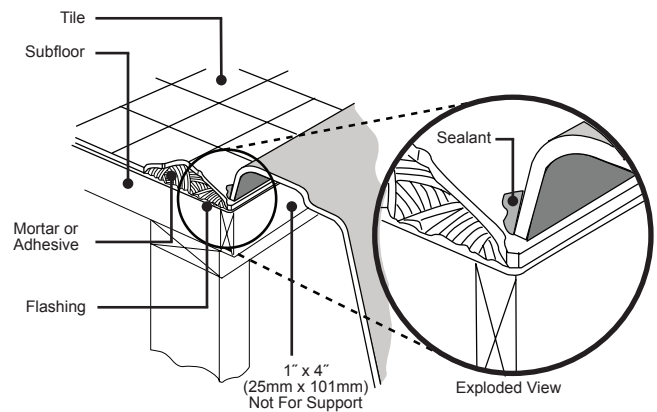


Figure 8

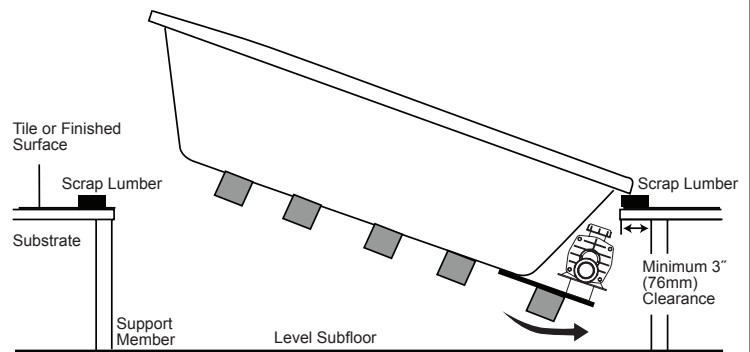



Figure 9

**Drop-in Installation (con't)**

- 8** Install the unit, inserting the motor/pump end first, lowering the bathtub into the opening as shown in the illustration.
-  **DO NOT** use plumbing fixtures or lines to lower the unit. Allow the bathtub to rest on the supports.

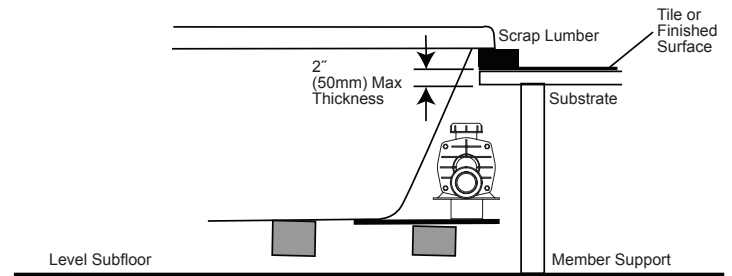


Figure 10

- 9** Inspect all fittings, plumbing, and control lines after inserting to insure the components are not damaged, disconnected, or contacting the finish surface substrate or support members.
- 10** Connect flex water supply lines to faucet and plug power cords into GFCI outlets.
- 11** Remove scrap lumber and lower the bathtub fully into the opening.
- 12** Align the bathtub and connect the drain.
- 13** Turn on the power supply to the dedicated GFCI protected circuits and check system operation.
- 14** Caulk around the perimeter of bathtub to seal the space between the rim and the finished deck.

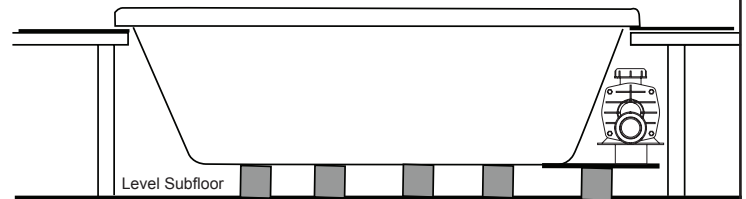


Figure 11

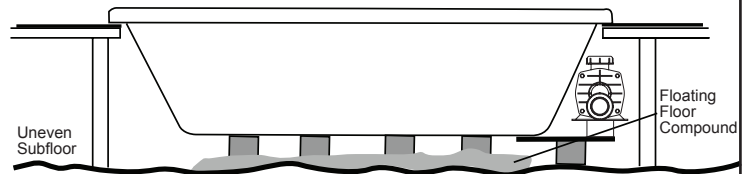


Figure 12

### 3-Wall Alcove Installation

- 1 Install the drain/overflow according to the manufacturer's instructions. Refer also to the Technical Specifications Manual.
- ⚠️ Watertight installation of the drain is the installer's responsibility. Drain leakage is excluded from the Jacuzzi Luxury Bath warranty of this product.
- 2 Install the faucet at this time. It is recommended that the faucet be installed by a qualified plumber.
- 3 Install the flange (purchased separately) according to the instructions that are included with the kit. If the bathtub is equipped with an integrated flange, skip this step.
- 4 Place the bathtub into the niche. Screw the flange to the wood stud. It may be necessary to shim the unit to close up any gaps between the wood stud and the flange.
- 5 Insulation may be placed within the bathtub surround.
- 6 Turn off the power supply to the GFCI protected circuit.
- 7 Align the bathtub and connect the drain.
- 8 Connect flex water supply lines to faucet and plug power cords into GFCI outlet.
- 9 Inspect all fittings, plumbing, and control lines after inserting the bathtub to insure the components are not damaged, disconnected, or contacting the finish surface substrate or support members.
- 10 Turn on the power supply to the dedicated GFCI protected circuits and check system operation.
- 11 Complete all finish work around the perimeter of bathtub to seal the space between the rim and the finished deck.

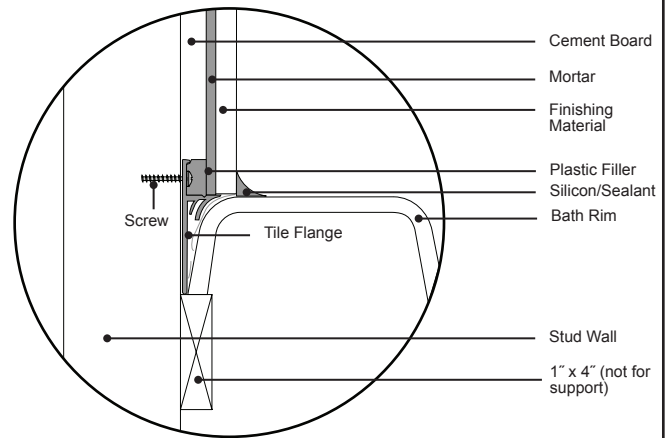


Figure 13

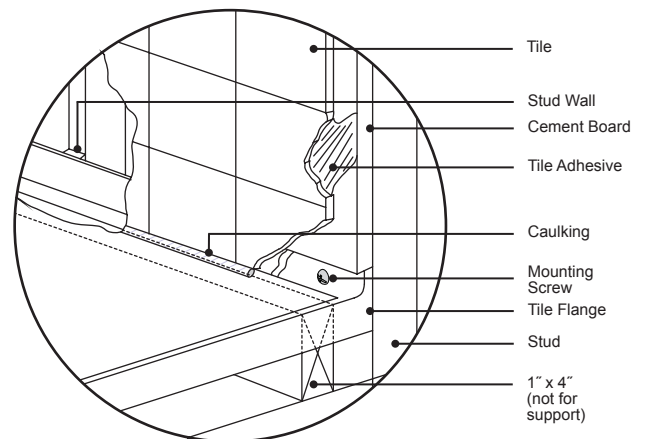


Figure 14

### Skirt Installation

#### Bathtubs with an Integral Skirt

- 1 Screw skirt flanges into wall studs.
- ⚠️ It may be necessary to shim the unit to close any gaps between wall studs and the flanges.
- 2 Complete finish work over skirt flange.
- 3 Caulk around the perimeter of the skirt to seal the space between the skirt and the finished deck.

#### Bathtubs with Optional Skirt

If you are installing a integral skirt, please refer to the Skirt Installation Guide before proceeding any further. Complete the installation and assembly steps according to the Skirt Installation Guide.

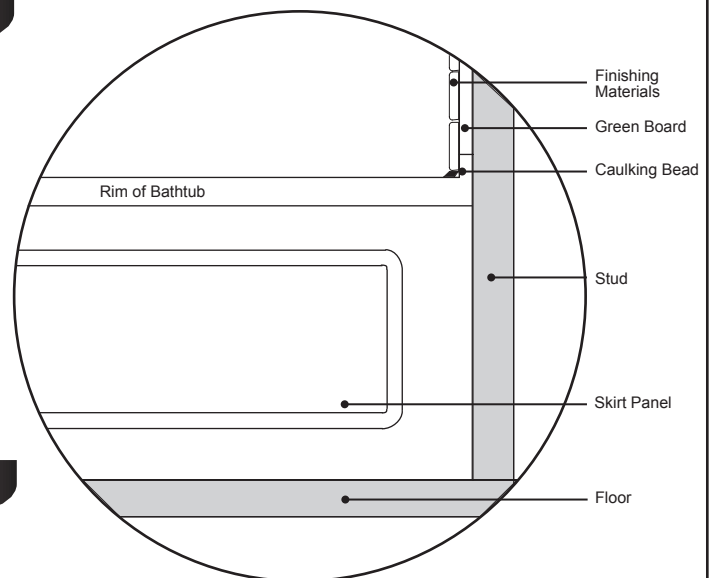


Figure 15

## Undermount Installation

- 1 Install drain/overflow according to the manufacturer's instructions.
- ⚠️ Watertight installation of the drain is the installer's responsibility. Drain leakage is excluded from the Jacuzzi Luxury Bath warranty of this product.
- 2 Turn off power supply to dedicated GFCI protected circuits.
- 3 Install the unit in desired location. DO NOT use plumbing fixtures or lines to carry or lower the unit.
- 4 Inspect all fittings, plumbing, and control lines after inserting to insure the components are not damaged or disconnected.
- 5 Align the bathtub and connect the drain.
- 6 Insulation may be placed within the bathtub surround.
- ⚠️ Provide adequate ventilation around the motor/pump to ensure sufficient air flow and cooling.
- 7 Cut deck/counter to fit using the undermount template provided as follows:
  - Position the template so that the desired undermount guidelines are aligned with the rim edge as shown.
  - Using a grease pencil, mark the center lines (denoted by **C** on template). Remove template.
  - Measure the distance from the wall, or other fixed point, to the center lines.
- 8 Affix counter to bathtub. Clean any dirt or debris from the top of the bathtub rim. Apply a bead of silicone sealant around the entire rim of bathtub.
- ⚠️ Do not use an adhesive or adhesive sealant to secure the counter to the bathtub. If maintenance or remodeling is required, the counter may have to be removed. Adhesive will permanently bond the counter to the bathtub. Carefully position the deck/counter over the bathtub. Follow manufacturer's instructions to determine cure time.
- 9 Apply a continuous bead of silicone sealant around the entire seam between the counter and the bathtub rim. Allow sealant to cure according to manufacturer's instructions.
- 10 Turn on the power supply to the dedicated GFCI protected circuits and check system operation.

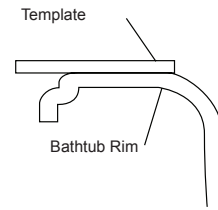


Figure 16 - Template Placement

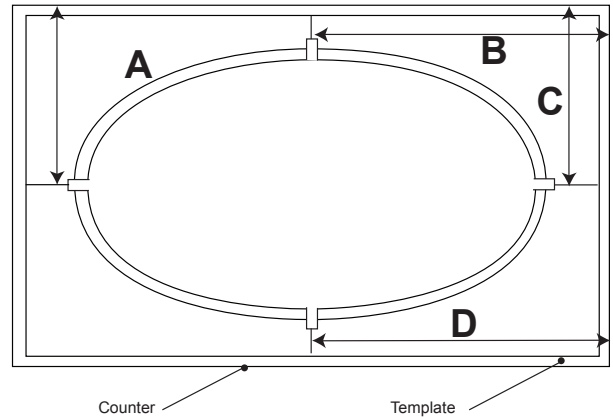


Figure 17 - Distance Measurement

## Cleanup

To avoid dulling and scratching the surface of the bathtub, never use abrasive cleaners. For most soiled surfaces, a mild liquid detergent and warm water is sufficient. The following is also recommended:

- Remove spilled plaster with a wood or plastic edge. Spots left by plaster or grout can be removed if lightly rubbed with detergent on a damp cloth or sponge. Do not use metal scrapers, wire brushes or other metal tools, as they will damage the bathtub's surface.
- Paint, tar, or other difficult stains can be removed with Fantastik® or soapy water.
- Minor scratches which do not penetrate the color finish can be removed by lightly sanding with 600-grit wet/dry sandpaper. You can restore the glossy finish to the acrylic surface of the bathtub with a special compound, Meguiar's #10 Mirror Glaze. If that is not available, use automotive rubbing compound followed by an application of automotive paste wax.
- Major scratches and gouges which penetrate the acrylic surface will require refinishing. Call Jacuzzi Luxury Bath to find a service agent in your area.



## General Operation Information

All bathtubs manufactured by Jacuzzi Luxury Bath are designed for “fill and drain,” which means the bathtub should be drained after each use and filled with fresh water by the next bather. This is a health precaution, as these bathtubs are not designed to hold water continuously like pools or spas.

Close the drain and fill the bathtub until water is at least 1” to 2” (25mm to 51mm) above the highest jet (see water line indicated in the illustration). Do not turn on the whirlpool system at any time if the jets are not completely immersed in water. Running the whirlpool system when there is insufficient water in the bathtub could result in water spraying outside the bath area. Running the whirlpool system without water will damage the recirculating pump.



When exiting the bathtub, the water level will drop below the jets which could result in water being sprayed out of the unit. To prevent this, you must turn unit OFF before exiting bathtub.

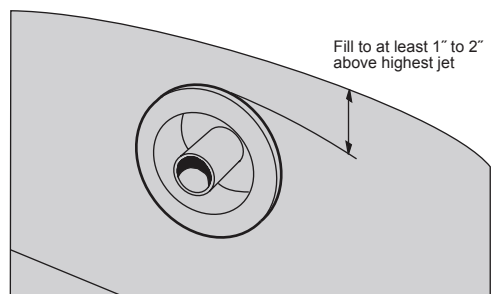


Figure 18

## Whirlpool Operation

**ON:** Press the button once to turn the whirlpool jets ON.

**OFF:** Press the button a second time to turn the whirlpool jets OFF.

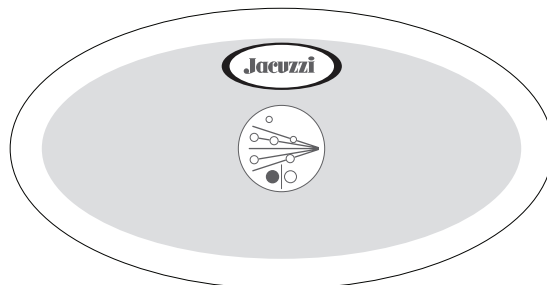


Figure 19

## Air Flow (if equipped)

Turn the left air valve dial to activate the left air valves.  
Turn the right air valve dial to activate the right air valves.

The amount of air induced into the whirlpool jets can be controlled from maximum to none.

Turn the dial clockwise to reduce the air flow

Turn the dial counter-clockwise to increase the air flow  
clockwise to reduce the air flow



Figure 20

## Controlling Whirlpool Direction and Flow


### Direction -


All Jacuzzi jets, except the rotating neck jets, can be directionally adjusted. To change the direction of the water flow, swivel the jet nozzle to the desired angle. The jets can be directed individually toward any location on your body to provide a hydromassage. The jets can also be adjusted so that they all point in the same direction (clockwise or counterclockwise) to circulate the water in a circular motion around the bath, causing a total whirlpool effect.

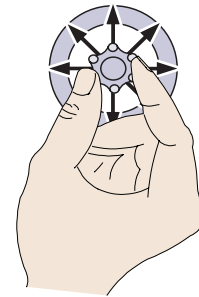
### Water Force -

Most Jacuzzi jets are designed for flow adjustment. For robust action, increase the force of the flow by rotating the nozzle, or face, to the left (counterclockwise). For a more gentle effect, or to close off the jet, rotate the nozzle, or face, to the right (clockwise).

Closing one or more jets can increase the water force in the remaining jets.

 The rotating neck jets, and some AccuPro™ jets, cannot be adjusted for water force.

 Never run the whirlpool system with all the jets closed.



Multidirectional Jets

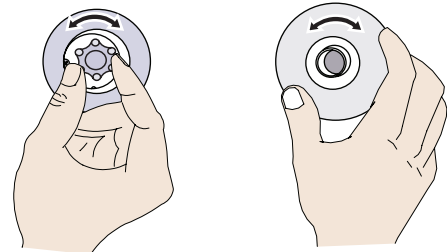


Figure 21

### Purging the Whirlpool System

To remove accumulations of bathtub residue from the whirlpool system, it is recommended that a whirlpool bathtub be cleaned at least twice a month. For best results, however, we recommend that you clean your whirlpool bathtub after each use using, Systems Clean™, our exclusive two-part plumbing system cleaner made specifically for whirlpool bathtubs. Systems Clean™ is available through an authorized Jacuzzi Whirlpool Bath Distributor or by calling us direct at 1-800-288-4002.

### Bathtub Additives



Do not use oil or oil-based bathtub additives.

If you want to use any kind of bathtub additive, use only a small amount of low-foaming powder or crystal substance; the whirlpool action intensifies the foaming properties of soaps.

The use of certain bathtub oils, bubble baths, and bathtub additives may increase the level of accumulations of bathtub residue in the whirlpool system and may cause false reading of the water level sensors. If excess accumulations persist, you should discontinue use of these products.

### Maintenance

To clean your bathtub, simply use a mild, nonabrasive liquid detergent solution. You can protect and restore the gloss to a dulled acrylic surface by applying Meguiar's #10 Mirror Glaze, a product specifically designed for use on acrylic finishes. If Meguiar's is not available, use a fine grade automotive rubbing compound followed by an application of automotive paste wax.



Never use abrasive household cleaners on any Jacuzzi Luxury Bath product.


### Surface Repair


Minor scratches which do not penetrate the color finish can be removed by lightly sanding with 600-grit wet/dry sandpaper. Restore the gloss using Meguiar's Mirror Glaze or automotive paste wax. Major scratches and gouges which penetrate the acrylic surface will require refinishing. Call Jacuzzi Luxury Bath to find a service agent in your area.


### Suction Cover/Strainer Maintenance

Clean the suction cover/strainer of hair and debris when necessary.

- 1 Remove the center screw and detach the suction cover.
- 2 Clean the cover by backflushing debris from the holes.
- 3 Replace the suction cover immediately after cleaning.

 When reinstalling, orient the cover/strainer with the small notch at the bottom. The gasket must be inserted into the groove of the cover/strainer before reinstalling onto the suction fitting.

 Keep hair a minimum of 6 inches (152 mm) away from the suction fitting at all times when the whirlpool system is operating. Hair longer than shoulder length should be secured close to the head, or a bathing cap should be worn.

 Do not operate the whirlpool system with the suction cover/strainer removed!

It is a safety device and must always be in place on the suction fitting to minimize the potential hazard of hair and body entrapment.

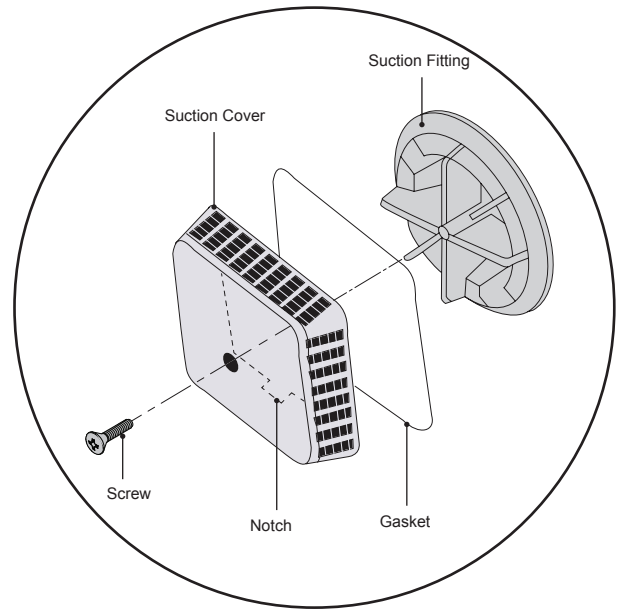


Figure 22

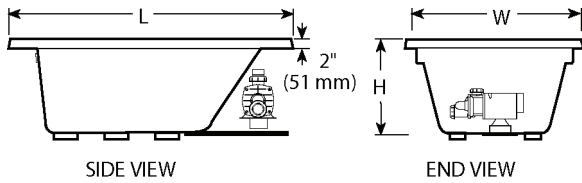
### Troubleshooting Procedures

PROBLEM	PROBABLE CAUSES	REMEDY
Pump/motor does not start	No power to pump/motor Pump/motor not plugged in  Pump/motor faulty	Reset GFCI Insert plug securely into outlet Ensure the control panel is connected to control box Contact Jacuzzi Luxury Bath @ 800-288-4002
Pump/motor operates but no fully adjustable jets are functioning	Jets are closed  Suction cover/strainer may be clogged	Open jets by rotating counter-clockwise  With the motor turned OFF, remove the suction cover/strainer and remove any debris. Replace the suction cover before operating
Pump/motor operates but air is not injected into the water	Air valves are closed	Open air control valves
Water leakage from pump unions	Overtightened, O-ring may be pinched or improperly seated, undertightened	Loosen unions, check and reset O-ring. If O-ring has been pinched out of shape, replace (refer to number below). When tightening union nuts, handtighten only.
Pump/motor shuts off by itself before time elapses	Motor thermal protection has deactivated pump/motor due to overheating (supply voltage low)  GFCI tripped  Inadequate supply wiring	Let motor cool; thermal protection will reset. Check for proper ventilation (check supply voltage)  Reset GFCI. If it continues to trip, do not use this unit. Disconnect the unit and have the problem corrected by a licensed electrician before using.  Consult a licensed electrician to correct the wiring unit.
Chromatherapy lights do not operate	Connector has come loose	Contact Jacuzzi Luxury Bath @ 800-288-4002

 If the unit is within the warranty period, contact Jacuzzi Whirlpool Bath Service Support at 1-800-288-4002 with your bath's serial number before work is started. The serial number is located on the Specification/Serial Number Plate.

### Technical Specifications

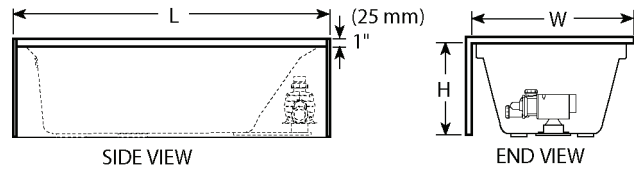
### Specifications - Rectangular (Right Hand and Left Hand)



SIDE VIEW

END VIEW

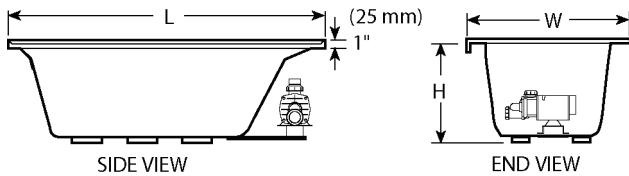
BATHS WITHOUT INTEGRAL SKIRT



SIDE VIEW

END VIEW

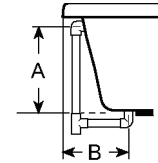
BATHS WITH INTEGRAL SKIRT



SIDE VIEW

END VIEW

BATHS WITH 3-SIDED TILE FLANGE



DRAIN/OVERFLOW

LH = Left Hand, RH = Right Hand

MODEL	DIMENSIONS	DRAIN/OVERFLOW DIMENSIONS	CUTOUT	TOTAL WEIGHT/ FLOOR LOADING	OPERATING GALLONAGE	PRODUCT WEIGHT	SKIRT & MOUNTING	HEATER READY FOR FIELD INSTALLATION
<b>AMIGA™</b> LH & RH	72" (1829 mm) L* 36" (914 mm) W 20-3/4" (533 mm) H	16-3/4" (429 mm) A 14" (356 mm) B	70" x 34" (1778 mm x 864 mm)	772 lb (351 kg)/ 43 lb/ft <sup>2</sup> (210 kg/m <sup>2</sup> )	50 U.S. gal (186 liters)	105 lb (48 kg)	Optional, U-Frame	Yes (S750000 HEATER KIT)
<b>AMIGA™</b> WITH INTEGRAL SKIRT LH & RH	72" (1829 mm) L* 36" (914 mm) W 20-3/4" (533 mm) H	16-3/4" (429 mm) A 14" (356 mm) B	NA	796 lb (362 kg)/ 44 lb/ft <sup>2</sup> (214 kg/m <sup>2</sup> )	50 U.S. gal (186 liters)	129 lb (59 kg)	Integral	Yes (S750000 HEATER KIT)
<b>BIANCA®</b> LH	72" (1829 mm) L* 48" (1219 mm) W 20-1/2" (521 mm) H	16" (406 mm) A 8-1/2" (216 mm) B	70" x 46" (1778 mm x 1168 mm)	993 lb (451 kg)/ 41 lb/ft <sup>2</sup> (200 kg/m <sup>2</sup> )	73 U.S. gal (276 liters)	135 lb (61 kg)	Optional, U-Frame	Yes (S750000 HEATER KIT)
<b>CETRA®</b> WITH INTEGRAL SKIRT LH & RH	60" (1524 mm) L* 32" (813 mm) W 20-1/2" (521 mm) H	17-3/4" (454 mm) A 9-3/8" (238 mm) B	NA	727 lb (330 kg)/ 55 lb/ft <sup>2</sup> (268 kg/m <sup>2</sup> )	46 U.S. gal (174 liters)	94 lb (43 kg)	Integral	Yes (S750000 HEATER KIT)
<b>CETRA® 532</b> LH & RH	60" (1524 mm) L* 31-3/4" (791 mm) W 21-1/4" (553 mm) H	18-1/2" (470 mm) A 9" (229 mm) B	58" x 30-1/4" (1473 mm x 768 mm)	697 lb (317 kg)/ 53 lb/ft <sup>2</sup> (259 kg/m <sup>2</sup> )	43 U.S. gal (163 liters)	89 lb (41 kg)	Optional U-Frame	Yes (S750000 HEATER KIT)
<b>CETRA® 536</b> LH & RH	60" (1524 mm) L* 36" (914 mm) W 21-1/4" (553 mm) H	18-1/2" (470 mm) A 9" (229 mm) B	58" x 34-1/4" (1473 mm x 870 mm)	742 lb (337 kg)/ 50 lb/ft <sup>2</sup> (244 kg/m <sup>2</sup> )	48 U.S. gal (181 liters)	92 lb (42 kg)	Optional U-Frame	Yes (S750000 HEATER KIT)

\*Add 1/4" (6mm) to this dimension when roughing-in for 3-wall niche.



The overall dimensions are nominal with a tolerance of +0 and -1/4" (6mm).

**FOR ALL UNITS:** Electrical Service Requirements: All require a dedicated GFCI protected separate circuit.

(Optional) RapidHeat™: 115 VAC, 15 AMP, 60 Hz. dedicated GFCI protected separate circuit.

Motor/Pump: 115 VAC, 15 Amp, 60 Hz. dedicated GFCI protected separate circuit.

## Specifications - Rectangular (Right Hand and Left Hand)

LH = Left Hand, RH = Right Hand

MODEL	DIMENSIONS	DRAIN/OVERFLOW DIMENSIONS	CUTOUT	TOTAL WEIGHT/ FLOOR LOADING	OPERATING GALLONAGE	PRODUCT WEIGHT	SKIRT & MOUNTING	HEATER READY FOR FIELD INSTALLATION
CETRA <sup>®</sup> 536 WITH INTEGRAL SKIRT LH & RH	60" (1524 mm) L* 36" ( 914 mm) W 21-1/4" ( 553 mm) H	18-1/2" ( 470 mm) A 9" ( 229 mm) B	NA	742 lb (337 kg)/ 50 lb/ft <sup>2</sup> (244 kg/m <sup>2</sup> )	48 U.S. gal (181 liters)	92 lb (42 kg)	Integral	Yes (S750000 HEATER KIT)
LUXURA <sup>™</sup> 5 WITH INTEGRAL 3-SIDED TILE FLANGE LH & RH	60" (1524 mm) L* 32" ( 813 mm) W 20-1/4" ( 514 mm) H	15-1/4" (387 mm) A 8-3/4" (210 mm) B	NA Molded-in Tile Flange	697 lb (316 kg)/ 52 lb/ft <sup>2</sup> (254 kg/m <sup>2</sup> )	44 U.S. gal (167 liters)	80 lb (36 kg)	Optional, U-Frame	Yes (S750000 HEATER KIT)
LUXURA <sup>™</sup> 5 WITH INTEGRAL SKIRT LH & RH	60" (1524 mm) L 32" ( 813 mm) W 20-1/4" ( 514 mm) H	15-1/4" (387 mm) A 8-3/4" (210 mm) B	NA	700 lb (318 kg)/ 53 lb/ft <sup>2</sup> (259 kg/m <sup>2</sup> )	42 U.S. gal (159 liters)	100 lb (45 kg)	Integral	Yes (S750000 HEATER KIT)
LUXURA <sup>™</sup> 5.5 LH & RH	66" (1676 mm) L* 34" ( 864 mm) W 20" ( 508 mm) H	15-1/4" (387 mm) A 8-3/8" (213 mm) B	64" x 32" (1626 mm x 813 mm)	823 lb (374 kg)/ 53 lb/ft <sup>2</sup> (259 kg/m <sup>2</sup> )	58 U.S. gal (220 liters)	90 lb (41 kg)	Optional, U-Frame	Yes (S750000 HEATER KIT)
LUXURA <sup>™</sup> 530 WITH INTEGRAL SKIRT LH & RH	60" (1524 mm) L* 30" ( 762 mm) W 20-1/4" ( 483 mm) H	16-3/4" (425 mm) A 9-1/4" (235 mm) B	NA	662 lb (301 kg)/ 53 lb/ft <sup>2</sup> (259 kg/m <sup>2</sup> )	38 U.S. gal (144 liters)	95 lb (43 kg)	Integral	Yes (U395000 HEATER KIT)
MAJORA <sup>®</sup> 6 WITH INTEGRAL SKIRT LH & RH	72" (1829 mm) L* 42" (1067 mm) W 19-3/4" ( 502 mm) H	15-5/8" (397 mm) A 10-1/2" (267 mm) B	NA	947 lb (430 kg)/ 45 lb/ft <sup>2</sup> (220 kg/m <sup>2</sup> )	70 U.S. gal (265 liters)	114 lb (52 kg)	Integral	Yes (S750000 HEATER KIT)
MITO <sup>®</sup> 5 LH & RH	60" (1524 mm) L* 42" (1067 mm) W 21" ( 533 mm) H	17-1/2" (445 mm) A 11-1/4" (302 mm) B	58" x 40" (1473 mm x 1016 mm)	866 lb (394 kg)/ 50 lb/ft <sup>2</sup> (244 kg/m <sup>2</sup> )	62 U.S. gal (235 liters)	100 lb (45 kg)	Optional, U-Frame	Yes (S750000 HEATER KIT)
MITO <sup>®</sup> 6 LH & RH	72" (1829 mm) L* 42" (1067 mm) W 21-1/2" ( 546 mm) H	17-1/2" (445 mm) A 11-1/8" (302 mm) B	70" x 40" (1778 mm x 1016 mm)	993 lb (451 kg)/ 47 lb/ft <sup>2</sup> (229 kg/m <sup>2</sup> )	76 U.S. gal (288 liters)	110 lb (50 kg)	Not Available	Yes (S750000 HEATER KIT)
NOVA <sup>®</sup> 5 LH & RH	60" (1524 mm) L* 42" (1067 mm) W 18-1/2" ( 470 mm) H	14-3/4" (375 mm) A 8-1/2" (216 mm) B	58" x 40" (1473 mm x 1016 mm)	722 lb (328 kg)/ 41 lb/ft <sup>2</sup> (200 kg/m <sup>2</sup> )	46 U.S. gal (170 liters)	97 lb (44 kg)	Optional, U-Frame	Yes (S750000 HEATER KIT)

\*Add 1/4" (6mm) to this dimension when roughing-in for 3-wall niche.



The overall dimensions are nominal with a tolerance of +0 and -1/4" (6mm).

**FOR ALL UNITS:** Electrical Service Requirements: All require a dedicated GFCI protected separate circuit.

(Optional) RapidHeat<sup>™</sup>: 115 VAC, 15 AMP, 60 Hz. dedicated GFCI protected separate circuit.

Motor/Pump: 115 VAC, 15 Amp, 60 Hz. dedicated GFCI protected separate circuit.

## Specifications - Rectangular (Right Hand and Left Hand)

LH = Left Hand, RH = Right Hand

MODEL	DIMENSIONS	DRAIN/OVERFLOW DIMENSIONS	CUTOUT	TOTAL WEIGHT/FLOOR LOADING	OPERATING GALLONAGE	PRODUCT WEIGHT	SKIRT & MOUNTING	HEATER READY FOR FIELD INSTALLATION
<b>NOVA® 5 WITH INTEGRAL SKIRT LH &amp; RH</b>	60" (1524 mm) L* 42" (1067 mm) W 18-½" (470 mm) H	15-¾" (403 mm) A 9-¼" (235 mm) B	NA	737 lb (335 kg)/ 42 lb/ft² (205 kg/m²)	45 U.S. gal (174 liters)	112 lb (51 kg)	Integral	No
<b>NOVA® 6 LH &amp; RH</b>	72" (1829 mm) L* 42" (1067 mm) W 20-½" (521 mm) H	14-¾" (375 mm) A 8-½" (216 mm) B	70" x 40" (1778 mm x 1016 mm)	876 lb (398 kg)/ 42 lb/ft² (205 kg/m²)	62 U.S. gal (235 liters)	110 lb (50 kg)	Optional, U-Frame	Yes (S750000 HEATER KIT)
<b>NOVA® 536 LH &amp; RH</b>	60" (1524 mm) L* 36" (914 mm) W 19-¼" (489 mm) H	15-¾" (384 mm) A 9" (229 mm) B	58" x 34" (1473 mm x 863 mm)	683 lb (310 kg)/ 46 lb/ft² (224 kg/m²)	42 U.S. gal (159 liters)	83 lb (38 kg)	Not Available	Yes (S750000 HEATER KIT)
<b>NOVA® 536 WITH INTEGRAL SKIRT LH &amp; RH</b>	60" (1524 mm) L* 36" (914 mm) W 19-¼" (489 mm) H	14-¾" (372 mm) A 9" (229 mm) B	NA	698 lb (317 kg)/ 47 lb/ft² (229 kg/m²)	42 U.S. gal (159 liters)	98 lb (45 kg)	Integral	Yes (S750000 HEATER KIT)
<b>NOVA® 636 WITH INTEGRAL SKIRT LH &amp; RH</b>	72" (1829 mm) L* 36" (914 mm) W 19" (483 mm) H	14-¾" (372 mm) A 9-¾" (238 mm) B	NA	824 lb (375 kg)/ 45.8 lb/ft² (223 kg/m²)	56 U.S. gal (223 liters)	108 lb (49 kg)	Integral	Yes (S750000 HEATER KIT)
<b>SIGNA® 5 LH &amp; RH</b>	60" (1524 mm) L* 42" (1067 mm) W 22" (559 mm) H	17-½" (445 mm) A 12-½" (318 mm) B	58" x 40" (1473 mm x 1016 mm)	708 lb (321 kg)/ 40 lb/ft² (195 kg/m²)	42 U.S. gal (159 liters)	108 lb (49 kg)	Optional, U-Frame	Yes (S750000 HEATER KIT)
<b>SIGNA® 5 WITH INTEGRAL SKIRT, FRONT RIGHT MOTOR/PUMP LH &amp; RH</b>	60" (1524 mm) L* 42" (1067 mm) W 22" (559 mm) H	17-¾" (451 mm) A 12-¾" (330 mm) B	NA	723 lb (329 kg)/ 41 lb/ft² (200 kg/m²)	42 U.S. gal (159 liters)	123 lb (56 kg)	Integral	Yes (U395000 HEATER KIT)
<b>SIGNA® 6 LH &amp; RH</b>	72" (1829 mm) L* 42" (1067 mm) W 22" (559 mm) H	16-¾" (429 mm) A 14" (356 mm) B	70" x 40" (1778 mm x 1016 mm)	826 lb (375 kg)/ 39 lb/ft² (190 kg/m²)	55 U.S. gal (208 liters)	118 lb (54 kg)	Not Available	Yes (S750000 HEATER KIT)

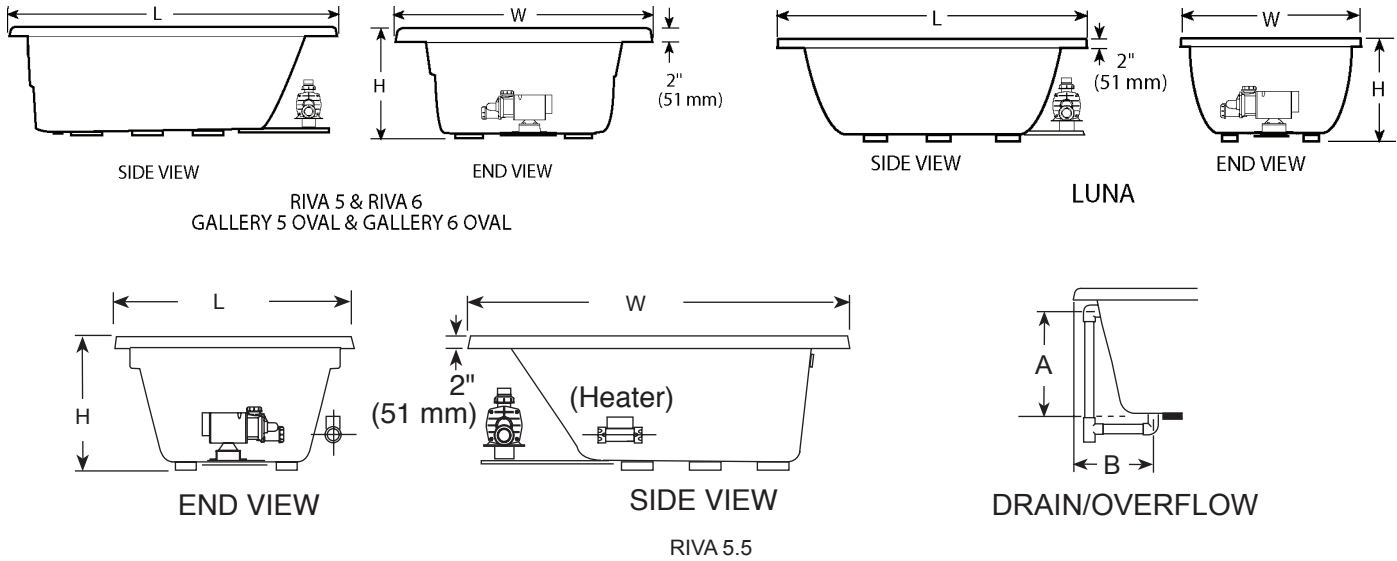
\*Add ¼" (6mm) to this dimension when roughing-in for 3-wall niche.



The overall dimensions are nominal with a tolerance of +0 and -¼" (6mm).

**FOR ALL UNITS:** Electrical Service Requirements: All require a dedicated GFCI protected separate circuit.  
(Optional) RapidHeat™: 115 VAC, 15 AMP, 60 Hz. dedicated GFCI protected separate circuit.  
Motor/Pump: 115 VAC, 15 Amp, 60 Hz. dedicated GFCI protected separate circuit.

Rimless Oval Bathtubs



**SPECIFICATIONS (Oval) LH = Left Hand, RH = Right Hand**

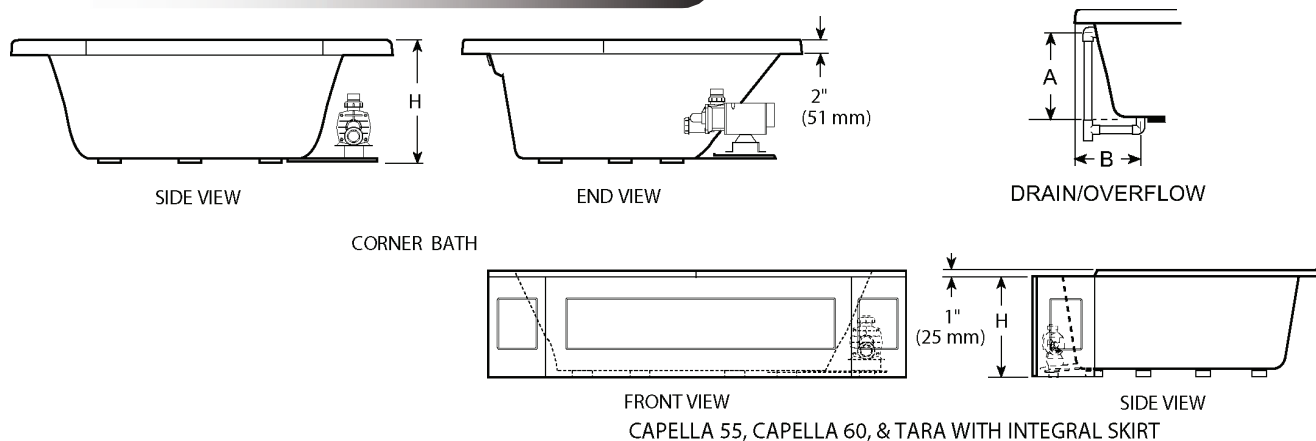
MODEL	DIMENSIONS	DRAIN/OVERFLOW DIMENSIONS	CUTOUT	TOTAL WEIGHT/FLOOR LOADING	OPERATING GALLONAGE	PRODUCT WEIGHT	SKIRT & MOUNTING	HEATER READY FOR FIELD INSTALLATION
<b>GALLERY™ 5 OVAL</b> LH & RH	62" (1575 mm) L 43" (1092 mm) W 19" (483 mm) H	14-3/4" (375 mm) A 9-1/2" (241 mm) B	Template Provided P/N P186000	746 lb (339 kg)/ 40 lb/ft <sup>2</sup> (195 kg/m <sup>2</sup> )	48 U.S. gal (182 liters)	96 lb (44 kg)	Not Available	Yes (S750000 HEATER KIT)
<b>GALLERY™ 6 OVAL</b> LH & RH	72" (1829 mm) L 42" (1067 mm) W 20-1/2" (521 mm) H	16" (406 mm) A 11-1/2" (292 mm) B	Template Provided P/N P186000	871 lb (395 kg)/ 42 lb/ft <sup>2</sup> (205 kg/m <sup>2</sup> )	62 U.S. gal (235 liters)	105 lb (48 kg)	Not Available	Yes (S750000 HEATER KIT)
<b>LUNA™</b> RH	72" (1829 mm) L 42" (1067 mm) W 23" (584 mm) H	19-1/4" (486 mm) A 11" (279 mm) B	Template Provided P/N P819000	1221 lb (555 kg)/ 58 lb/ft <sup>2</sup> (283 kg/m <sup>2</sup> )	96 U.S. gal (364 liters)	121 lb (55 kg)	Not Available	Yes (S750000 HEATER KIT)
<b>RIVA® 5</b> LH & RH	62" (1575 mm) L 43" (1092 mm) W 19" (483 mm) H	14-3/4" (375 mm) A 9-1/2" (241 mm) B	Template Provided P/N GM28000	746 lb (339 kg)/ 40 lb/ft <sup>2</sup> (195 kg/m <sup>2</sup> )	48 U.S. gal (182 liters)	96 lb (44 kg)	Not Available	Yes (S750000 HEATER KIT)
<b>RIVA® 5.5</b> LH & RH	66 1/4" (1676 mm) L 38 1/4" (965 mm) W 19 1/8" (495 mm) H	14-3/4" (375 mm) A 9-1/2" (241 mm) B	Template Provided P/N FX40000	760 lb (344 kg)/ 55 lb/ft <sup>2</sup> (290 kg/m <sup>2</sup> )	57 U.S. gal (215 liters)	105 lb (47 kg)	Not Available	Yes (S750000 HEATER KIT)
<b>RIVA® 6</b> LH & RH	72" (1829 mm) L 42" (1067 mm) W 20-1/2" (521 mm) H	16" (406 mm) A 11-1/2" (292 mm) B	Template Provided P/N GM29000	871 lb (396 kg)/ 42 lb/ft <sup>2</sup> (205 kg/m <sup>2</sup> )	62 U.S. gal (235 liters)	105 lb (48 kg)	Not Available	Yes (S750000 HEATER KIT)



The overall dimensions are nominal with a tolerance of +0 and -1/4" (6mm).

**FOR ALL UNITS:** Electrical Service Requirements: All require a dedicated GFCI protected separate circuit. (Optional) RapidHeat™: 115 VAC, 15 AMP, 60 Hz. dedicated GFCI protected separate circuit. Motor/Pump: 115 VAC, 15 Amp, 60 Hz. dedicated GFCI protected separate circuit.



**Corner Bathtubs**

**SPECIFICATIONS (Corner) LH = Left Hand, RH = Right Hand**

MODEL	DIMENSIONS	DRAIN/OVERFLOW DIMENSIONS	CUTOUT	TOTAL WEIGHT/ FLOOR LOADING	OPERATING GALLONAGE	PRODUCT WEIGHT	SKIRT & MOUNTING	HEATER READY FOR FIELD INSTALLATION
CAPELLA® 55 RH	55" (1397 mm) L 55" (1397 mm) L 20-½" (514 mm) H	17-½" (445 mm) A 9-¾" (245 mm) B	Template Provided P/N DA24000	791 lb (360 kg)/ 38 lb/ft² (185 kg/m²)	51 U.S. gal (193 liters)	116 lb (53 kg)	Optional	Yes (S750000 HEATER KIT)
CAPELLA® 55 WITH INTEGRAL SKIRT RH	55" (1397 mm) L 55" (1397 mm) L 20-½" (521 mm) H	18" (457 mm) A 12-⅝" (308 mm) B	NA	1025 lb (466 kg)/ 48.8 lb/ft² (238 kg/m²)	54 U.S. gal (204 liters)	125 lb (57 kg)	Integral	No
CAPELLA® 60 FRONT LEFT MOTOR/PUMP LH	60" (1524 mm) L 60" (1524 mm) L 20-½" (521 mm) H	18" (457 mm) A 12-⅝" (308 mm) B	See Page 17	870 lb (395 kg)/ 35 lb/ft² (171 kg/m²)	60 U.S. gal (227 liters)	120 lb (54 kg)	Not Available	No
CAPELLA® 60 LH & RH	60" (1524 mm) L 60" (1524 mm) L 20-½" (521 mm) H	18" (457 mm) A 12-⅝" (308 mm) B	See Page 17	870 lb (395 kg)/ 35 lb/ft² (171 kg/m²)	60 U.S. gal (227 liters)	120 lb (54 kg)	Not Available	No
CAPELLA® 60 WITH INTEGRAL SKIRT RH	60" (1524 mm) L 60" (1524 mm) L 20-½" (521 mm) H	18" (457 mm) A 12-⅝" (308 mm) B	NA	880 lb (400 kg)/ 35 lb/ft² (171 kg/m²)	60 U.S. gal (227 liters)	130 lb (59 kg)	Integral	No
TARA™ LH & RH	60" (1524 mm) L 60" (1524 mm) L 20-¾" (527 mm) H	16" (406 mm) A 12-¾" (314 mm) B	See Page 17	984 lb (447 kg)/ 39 lb/ft² (190 kg/m²)	74 U.S. gal (280 liters)	118 lb (54 kg)	Optional	Yes (S750000 HEATER KIT)
TARA™ WITH INTEGRAL SKIRT RH	60" (1524 mm) L 60" (1524 mm) L 20-¾" (527 mm) H	16" (406 mm) A 12-¾" (314 mm) B	NA	999 lb (454 kg)/ 40 lb/ft² (195 kg/m²)	74 U.S. gal (280 liters)	133 lb (61 kg)	Integral	No



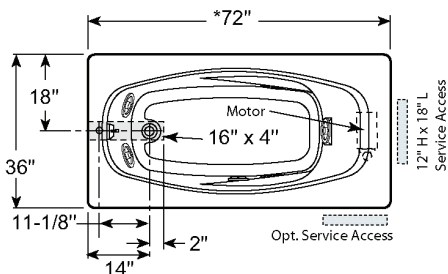
The overall dimensions are nominal with a tolerance of +0 and -¼" (6mm).

**FOR ALL UNITS:** Electrical Service Requirements: All require a dedicated GFCI protected separate circuit.

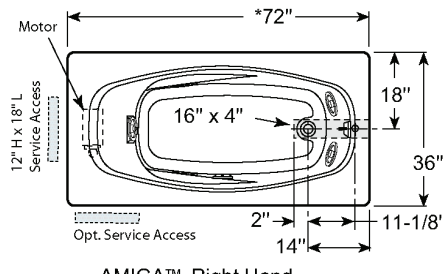
(Optional) RapidHeat™: 115 VAC, 15 AMP, 60 Hz. dedicated GFCI protected separate circuit.

Motor/Pump: 115 VAC, 15 Amp, 60 Hz. dedicated GFCI protected separate circuit.

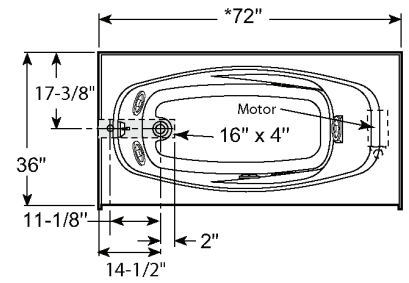
**Roughing-In Reference - Rectangular**



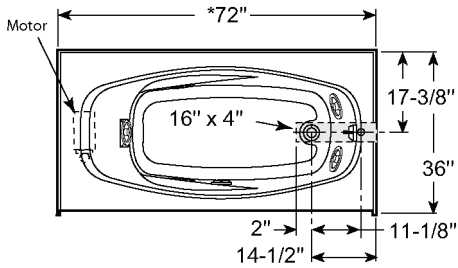
AMIGA™, Left Hand



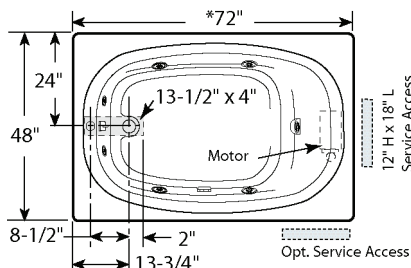
AMIGA™, Right Hand



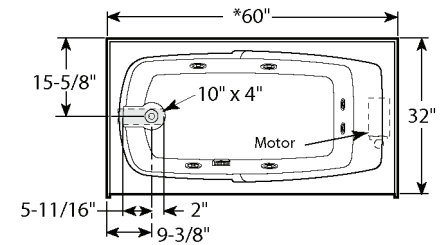
AMIGA™ WITH INTEGRAL SKIRT, Left Hand



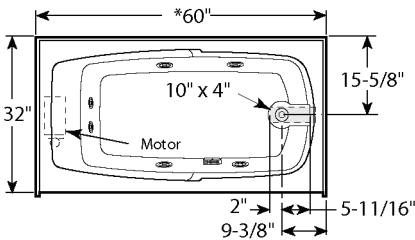
AMIGA™ WITH INTEGRAL SKIRT, Right Hand



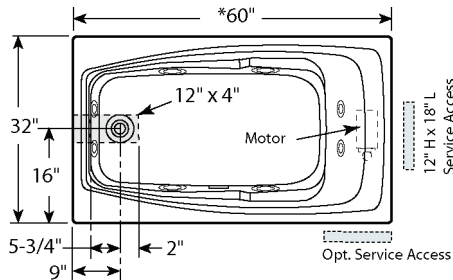
(Left-hand only as shown)  
BIANCA™



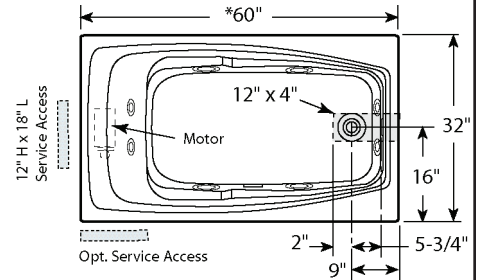
CETRA™ W/INTEGRAL SKIRT, Left Hand



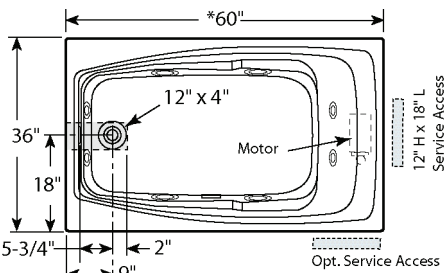
CETRA™ W/INTEGRAL SKIRT, Right Hand



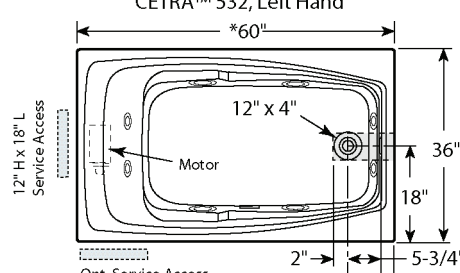
CETRA™ 532, Left Hand



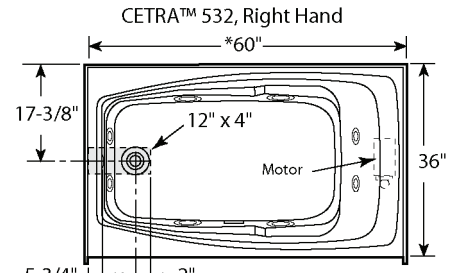
CETRA™ 532, Right Hand



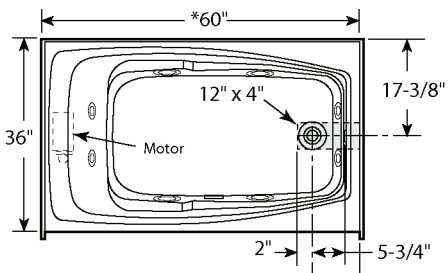
CETRA™ 536, Left Hand



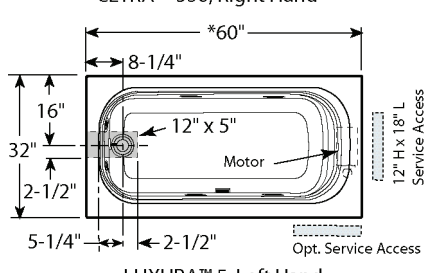
CETRA™ 536, Right Hand



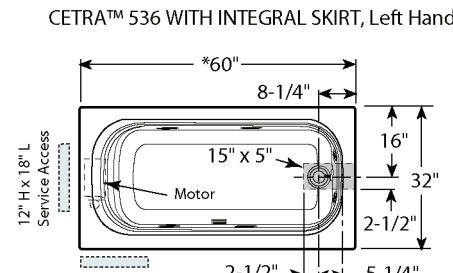
CETRA™ 536 WITH INTEGRAL SKIRT, Left Hand



CETRA™ 536 WITH INTEGRAL SKIRT, Right Hand



LUXURA™ 5, Left Hand



LUXURA™ 5, Right Hand

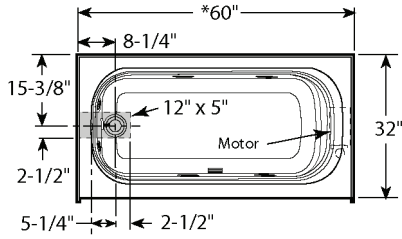


\*Add 1/4" (6mm) to this dimension when roughing-in for 3-wall niche.

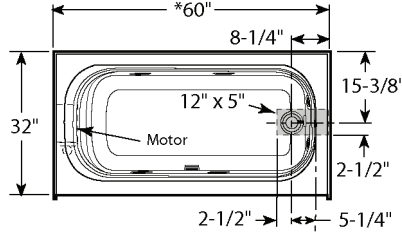
1. The overall dimensions are nominal with a tolerance of +0 and -1/4" (6mm).
2. Service Access dimensions given are minimum. Service access is still required for units that do not have pre-installed Pump/Motor.
3. Measurements inside each unit represent cutout in floor to allow for drain/overflow.
4. All measurements are in inches. To convert to millimeters, multiply inches by 25.4.
5. Not all export units come with pre-installed Pump/Motor.

### Roughing-In Reference - Rectangular

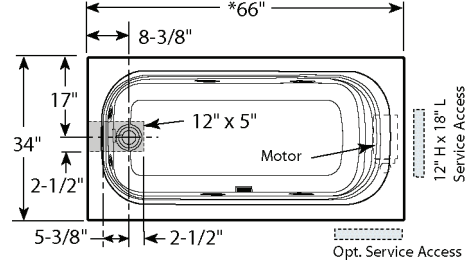
English



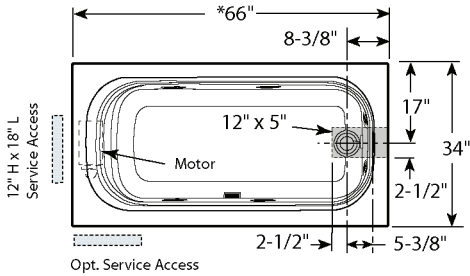
LUXURA™ 5 WITH INTEGRAL SKIRT, Left Hand



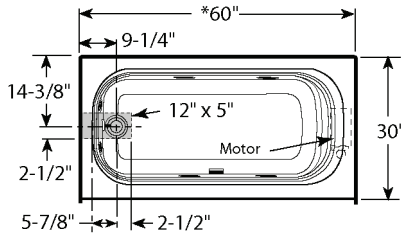
LUXURA™ 5 WITH INTEGRAL SKIRT, Right Hand



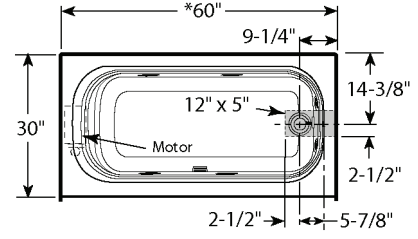
LUXURA™ 5.5, Left Hand



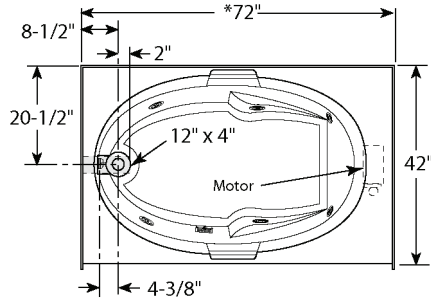
LUXURA™ 5.5, Right Hand



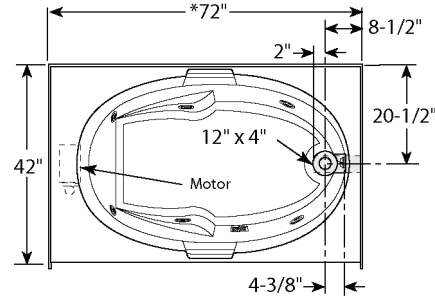
LUXURA™ 530 WITH INTEGRAL SKIRT, Left Hand



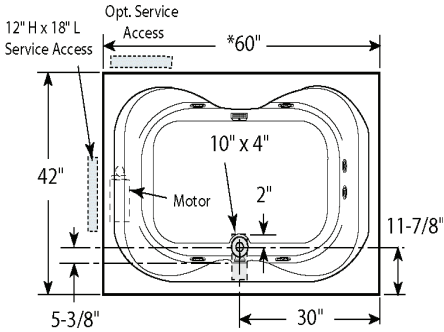
LUXURA™ 530 WITH INTEGRAL SKIRT, Right Hand



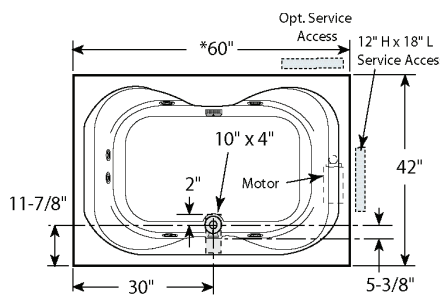
MAJORA™ 6 W/INTEGRAL SKIRT, Left Hand



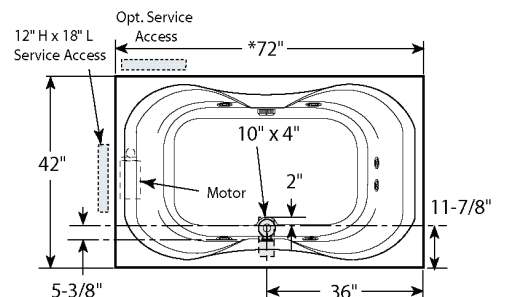
MAJORA™ 6 W/INTEGRAL SKIRT, Right Hand



MITO™ 5, Left Hand



MITO™ 5, Right Hand

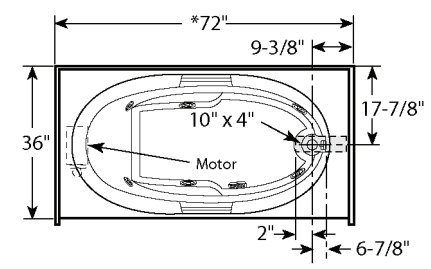
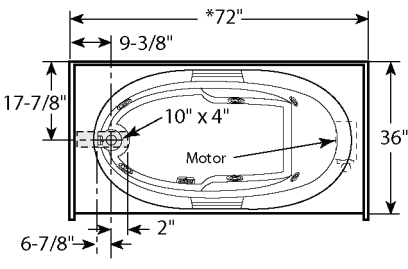
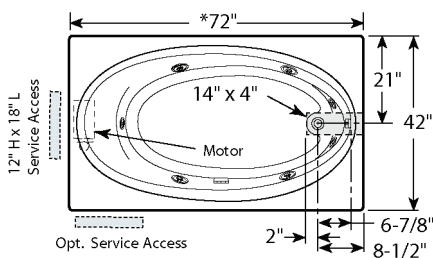
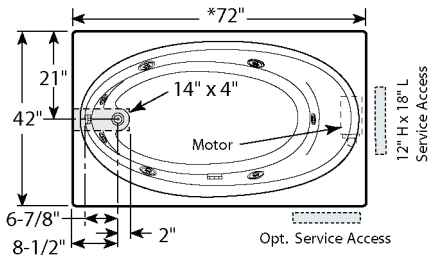
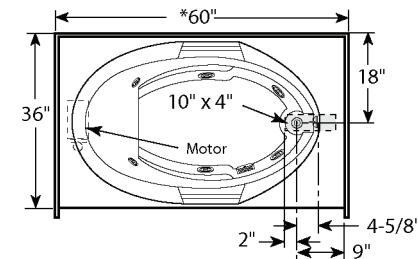
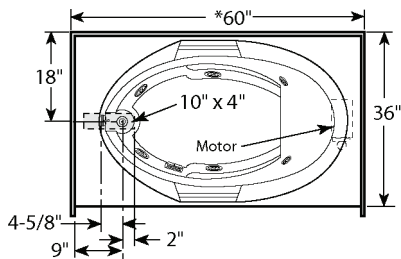
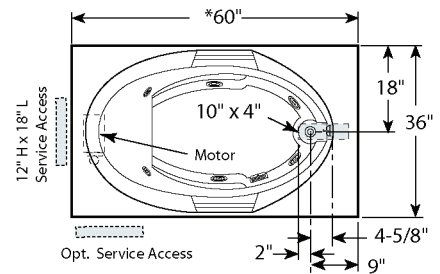
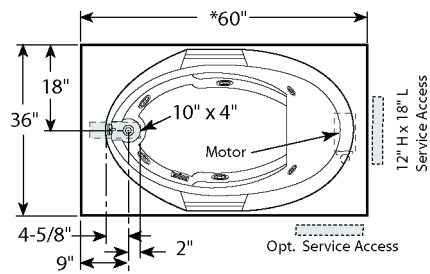
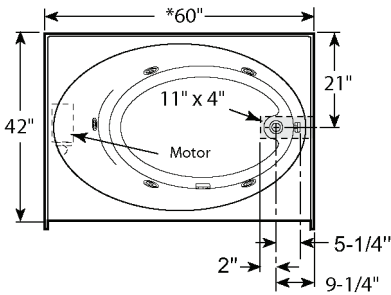
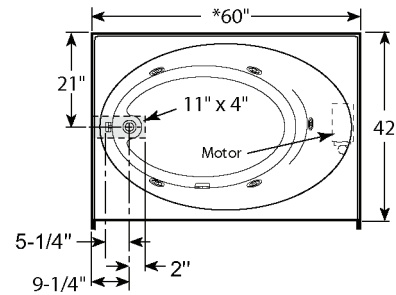
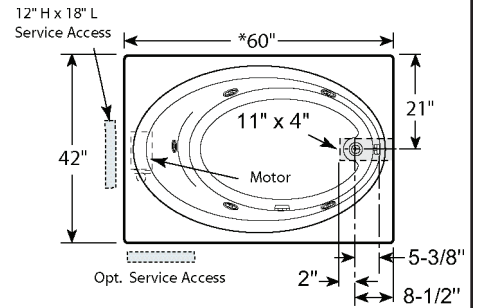
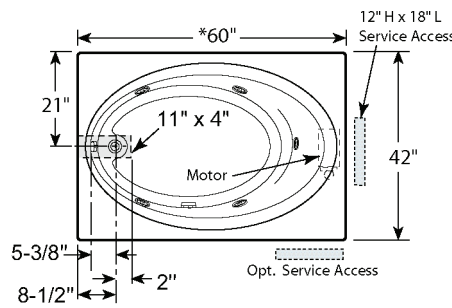
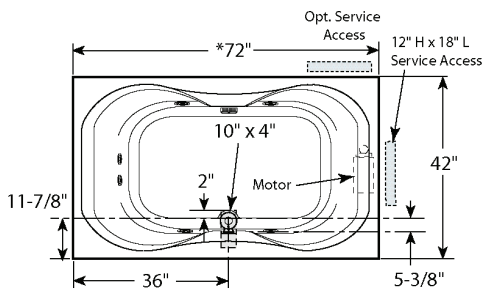


MITO™ 6, Left Hand



\*Add 1/4" (6mm) to this dimension when roughing-in for 3-wall niche.

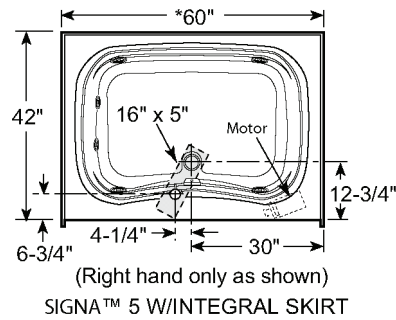
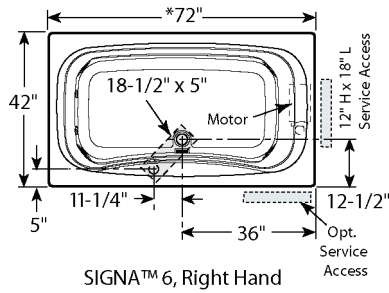
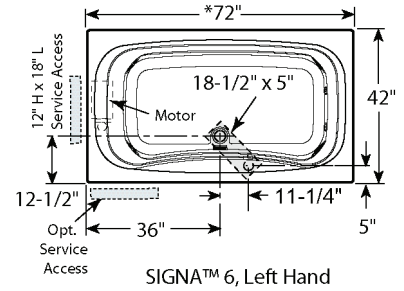
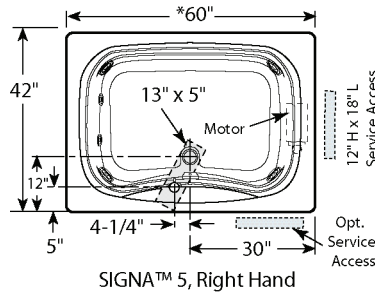
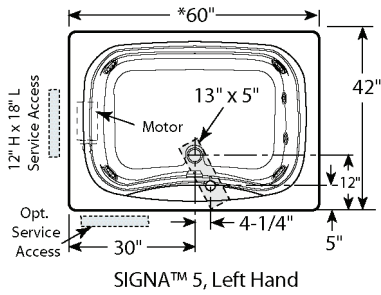
1. The overall dimensions are nominal with a tolerance of +0 and -1/4" (6mm).
2. Service Access dimensions given are minimum. Service access is still required for units that do not have pre-installed Pump/Motor.
3. Measurements inside each unit represent cutout in floor to allow for drain/overflow.
4. All measurements are in inches. To convert to millimeters, multiply inches by 25.4.
5. Not all export units come with pre-installed Pump/Motor.

**Roughing-In Reference - Rectangular**


\*Add 1/4" (6mm) to this dimension when roughing-in for 3-wall niche.

1. The overall dimensions are nominal with a tolerance of +0 and -1/4" (6mm).
2. Service Access dimensions given are minimum. Service access is still required for units that do not have pre-installed Pump/Motor.
3. Measurements inside each unit represent cutout in floor to allow for drain/overflow.
4. All measurements are in inches. To convert to millimeters, multiply inches by 25.4.
5. Not all export units come with pre-installed Pump/Motor.

**Roughing-In Reference - Rectangular**



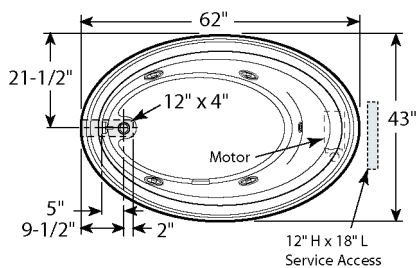
\*Add 1/4" (6mm) to this dimension when roughing-in for 3-wall niche.

1. The overall dimensions are nominal with a tolerance of +0 and -1/4" (6mm).
2. Service Access dimensions given are minimum. Service access is still required for units that do not have pre-installed Pump/Motor.
3. Measurements inside each unit represent cutout in floor to allow for drain/overflow.
4. All measurements are in inches. To convert to millimeters, multiply inches by 25.4.
5. Not all export units come with pre-installed Pump/Motor.

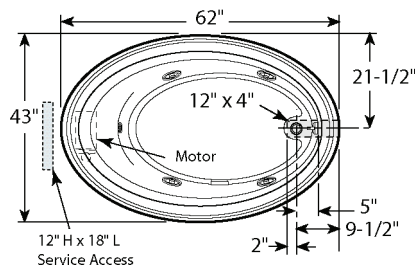
## Roughing-In Reference - Oval



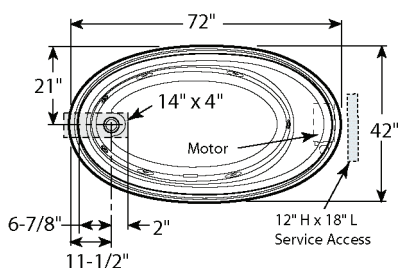
These units have been provided with cutout templates included in the shipping carton.



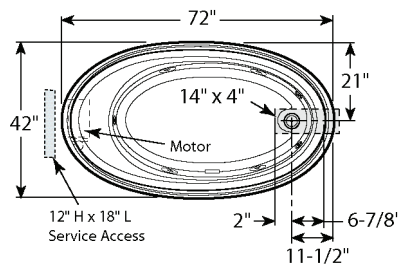
GALLERY™ 5 OVAL, Left Hand



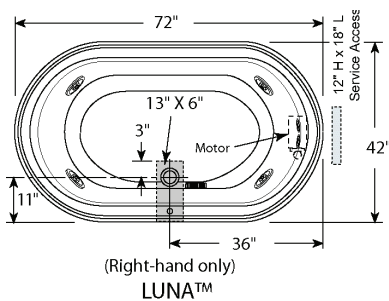
GALLERY™ 5 OVAL, Right Hand



GALLERY™ 6, Left Hand



GALLERY™ 6, Right Hand



(Right-hand only)  
LUNA™

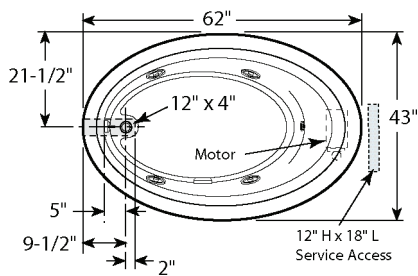


1. The overall dimensions are nominal with a tolerance of +0 and -1/4" (6mm).
2. Service Access dimensions given are minimum. Service access is still required for units that do not have pre-installed Pump/Motor.
3. Measurements inside each unit represent cutout in floor to allow for drain/overflow.
4. All measurements are in inches. To convert to millimeters, multiply inches by 25.4.
5. Not all export units come with pre-installed Pump/Motor.

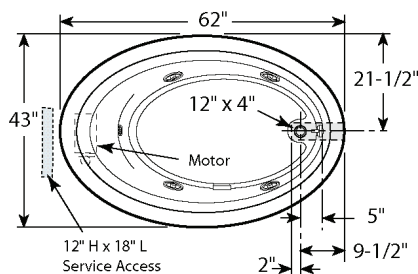
## Roughing-In Reference - Oval



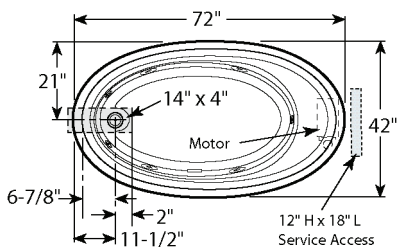
These units have been provided with cutout templates included in the shipping carton.



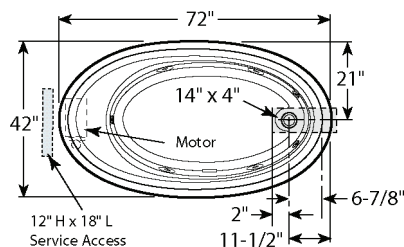
RIVA™ 5, Left Hand



RIVA™ 5, Right Hand



RIVA™ 6, Left Hand

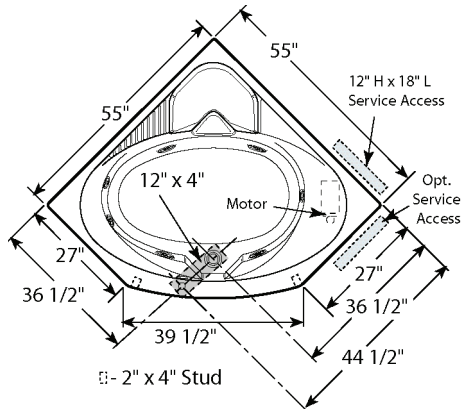


RIVA™ 6, Right Hand

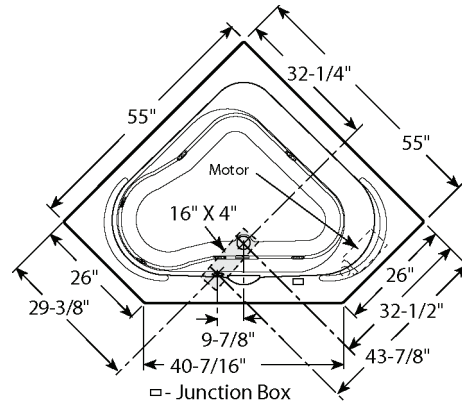


1. The overall dimensions are nominal with a tolerance of +0 and -1/4" (6mm).
2. Service Access dimensions given are minimum. Service access is still required for units that do not have pre-installed Pump/Motor.
3. Measurements inside each unit represent cutout in floor to allow for drain/overflow.
4. All measurements are in inches. To convert to millimeters, multiply inches by 25.4.
5. Not all export units come with pre-installed Pump/Motor.

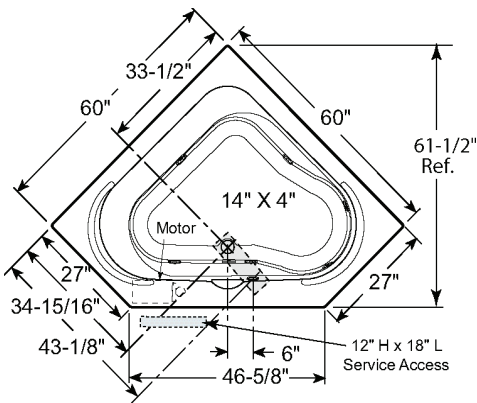
**Roughing-In Reference - Corner**



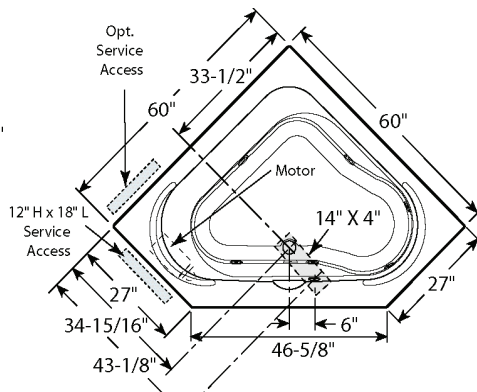
(Right-hand only as shown)  
CAPELLA™ 55



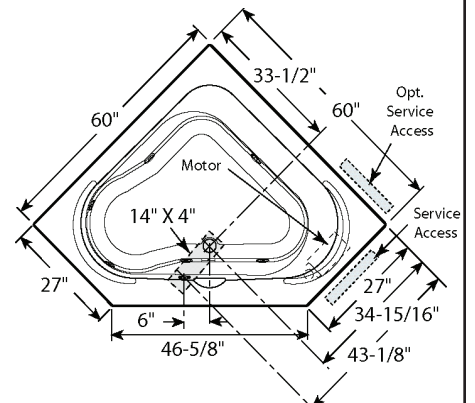
(Right-hand only as shown)  
CAPELLA™ 55 WITH INTEGRAL SKIRT



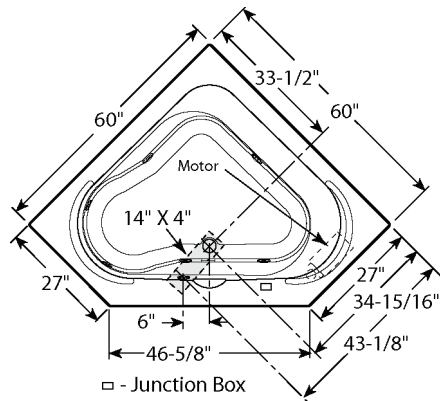
CAPELLA 60 w/Front Left Motor/Pump,  
Left Hand



CAPELLA™ 60, Left Hand



CAPELLA™ 60, Right Hand



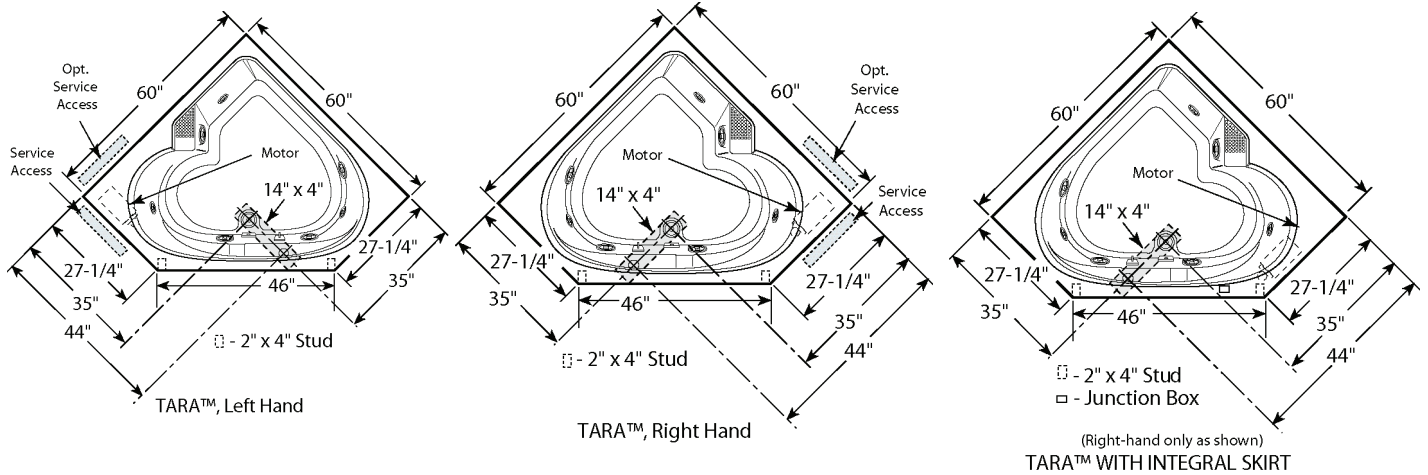
(Right-hand only as shown)  
CAPELLA™ 60 WITH INTEGRAL SKIRT



1. The overall dimensions are nominal with a tolerance of +0 and -1/4" (6mm).
2. Service Access dimensions given are minimum. Service access is still required for units that do not have pre-installed Pump/Motor.
3. Measurements inside each unit represent cutout in floor to allow for drain/overflow.
4. All measurements are in inches. To convert to millimeters, multiply inches by 25.4.
5. Not all export units come with pre-installed Pump/Motor.

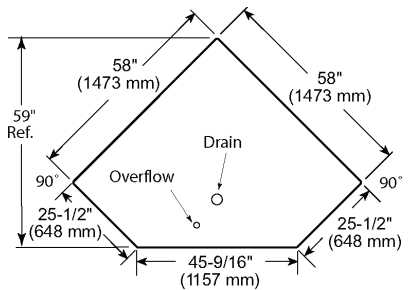


### Roughing-In Reference - Corner

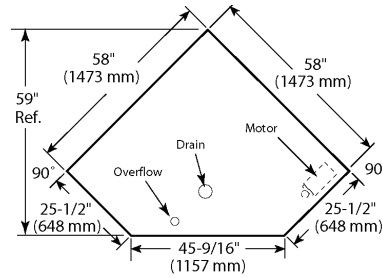


1. The overall dimensions are nominal with a tolerance of +0 and -1/4" (6mm).
2. Service Access dimensions given are minimum. Service access is still required for units that do not have pre-installed Pump/Motor.
3. Measurements inside each unit represent cutout in floor to allow for drain/overflow.
4. All measurements are in inches. To convert to millimeters, multiply inches by 25.4.
5. Not all export units come with pre-installed Pump/Motor.

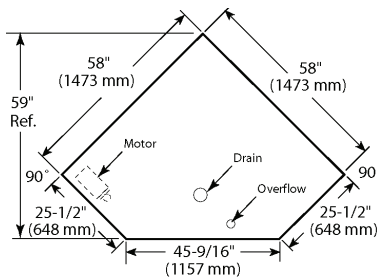
### Cutout - Corner Bathtubs



CAPELLA 60 &  
CAPELLA 60 W/ FRONT LEFT MOTOR/PUMP  
(Motor/Pump position not shown.)



TARA CORNER CUTOUT  
Right Hand



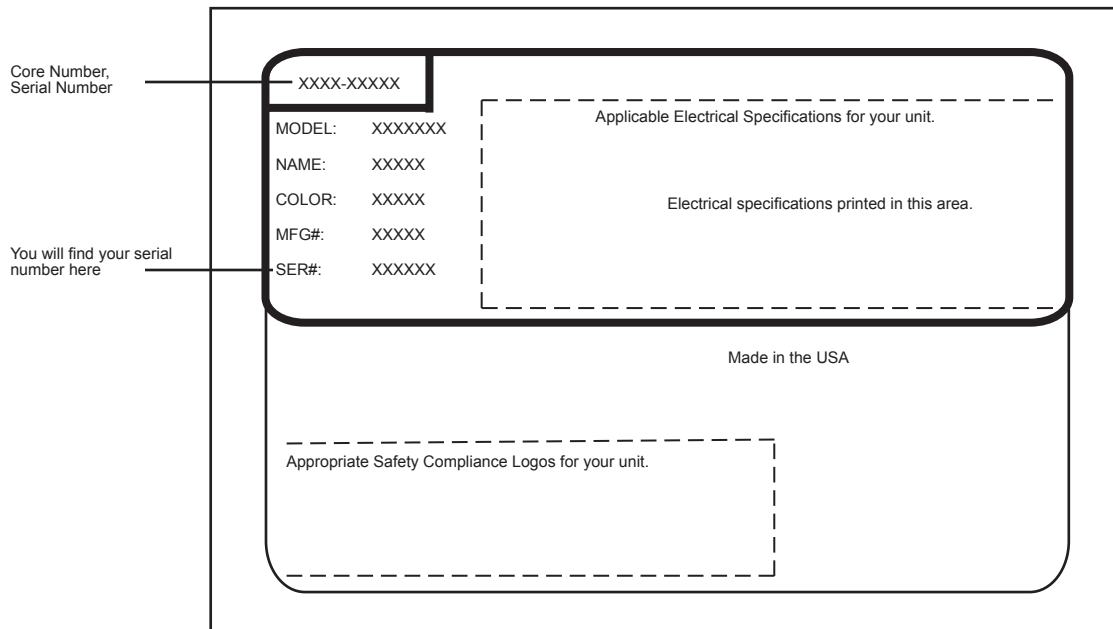
TARA CORNER CUTOUT  
Left Hand

## Authorized Service

If you need a referral for a service company near you, or need assistance with operation or maintenance-related questions, please call our Service Support Department at 1-800-288-4002. Visit our web site at <http://www.jacuzzi.com/> for products, services, and an online copy of these Installation and Operation Instructions.

When requesting service or technical assistance please have available both the model and serial number of your unit. This information can be obtained from the product registration card provided with your unit. If the card has been misplaced, this information can be obtained from the specification/serial number label on the unit itself. The label is located on the wall of the bathtub near the pump/motor.

## SPECIFICATION/SERIAL NUMBER LABEL



PRODUCT SPECIFICATIONS ARE SUBJECT TO CHANGE WITHOUT NOTICE.

USE TECHNICAL SPECIFICATIONS MANUAL SUPPLIED WITH PRODUCT.

Jacuzzi® Luxury Bath has obtained applicable code (standards) listings generally available on a national basis for products of this type. It is the responsibility of the installer/owner to determine specific local code compliance prior to installation of the product.

Jacuzzi® Luxury Bath makes no representation or warranty regarding, and will not be responsible for any code compliance.

Jacuzzi® Luxury Bath  
 14525 Monte Vista Avenue  
 Chino, California, 91710  
 1-800-288-4002  
[www.jacuzzi.com](http://www.jacuzzi.com)

# Limited Lifetime Warranty on Jacuzzi Luxury Branded Baths for the Comfort, Comfort Plus, Pure Air®, Luxury, Salon™ Spa, and Pure Air® II Collections

## WARRANTY COVERAGE

Jacuzzi Luxury Bath (the "Company") offers the following expressed limited lifetime warranty to the original purchaser of any Jacuzzi® Luxury Bath products provided in the Company's Comfort, Comfort Plus, Pure Air®, Pure Air® II, and Luxury™ collections ("Bath") who purchases the Bath for personal or single family residential use ("User"): The Company will repair or replace, at its sole option, the Bath or its equipment in accordance with the following terms and conditions. This warranty does not apply to non-branded Bath products manufactured by the Company.

### LIFETIME WARRANTY ON BATHS

The Company extends to the User of the Bath a non-transferable limited lifetime warranty that the shell will maintain its structural integrity and configuration and be free of water loss due to a defect in the bathtub shell. This warranty covers only the bathtub shell and the manufacturer installed pump, jets, controls, and blower against defects in material or workmanship. This warranty does not apply to any display models or to any options or accessories which are covered under our limited ninety (90) day warranty set forth below. Warranty coverage begins on the date the unit was originally purchased by the User and upon receipt by the Company of a completely filled out Warranty Registration Card as described below.

### 2 YEAR LABOR WARRANTY FOR ALL FACTORY INSTALLED COMPONENTS

Our limited labor warranty is for a period of two (2) years from the date the unit was originally purchased by the User, but not more than Three (3) Years from date of manufacture. All factory installed components (e.g., pump, motor, blower, and plumbing) are covered under our labor warranty against failure due to defects in materials and workmanship.

### NINETY DAY (PARTS ONLY) LIMITED WARRANTY ON OPTIONS AND ACCESSORIES

Our limited warranty on options and accessories is for ninety (90) days for parts only. Our warranty covers options and accessories manufactured (e.g., drains fill spout kits, trim kits, skirts, video monitors, plasma television screens, CD and MP3 players and other music and video devices and optional heaters) against defects in material or workmanship. Warranty coverage begins on the date the option or accessory was originally purchased by the User. These items may be covered by a manufacturer's warranty which may have a longer duration than this limited warranty. Please confirm with the manufacturer the duration of the appropriate warranty for Options and Accessories.

### WARRANTY LIMITATIONS

Our limited warranty does not cover defects, damage, or failure caused by the common carrier, installer, user, or other persons, pets, or rodents, or resulting from, without limitation, any of the following: careless handling (lifting unit by plumbing, abrading finish, etc.) including its own negligence; modification of any type for any reason (including modification to meet local codes); improper installation (including installation not in accordance with instructions and specifications provided with the unit); connections supplied by the installer of the equipment; improper voltage supply or unauthorized electrical modification; misuse; incorrect operation, or lack of proper routine maintenance; operation of the unit without specified minimum amount of water or at inappropriate water temperature; use of abrasive or improper cleaners; or acts of God, such as lightning, floods, earthquakes, etc.

In addition, THE COMPANY WILL NOT BE RESPONSIBLE FOR INCIDENTAL OR CONSEQUENTIAL DAMAGES or losses arising from any cause (e.g., water damage to carpet, ceiling, tiles, marble, loss of use, etc.) including its own negligence; damages to, respecting, or resulting from: plated parts when pool and/or spa chemicals are used in the unit or hard water conditions; optional bath equipment not manufactured by the Company but supplied by Dealer, installer or the Company; the unit's prior usage as an operational display; or defects that should have been discovered before installation.

This limited warranty does not include: labor, transportation, or other costs incurred in the removal and/or reinstallation of the original unit and/or installation of a replacement unit; any costs relating to obtaining access for repair; or loss of use damage, including loss of sales, profit or business advantage of any kind under any circumstances. Bath units are excluded from any warranty coverage if any addition, deletion, or modification of any kind whatsoever has been made to the unit (or to any component). Warranty coverage is provided in the United States of America and Canada only.

### EXCLUSION OF IMPLIED WARRANTIES

IMPLIED WARRANTIES OF MERCHANTABILITY AND FITNESS FOR A PARTICULAR PURPOSE ARE DISCLAIMED ALTOGETHER OR TO THE FULLEST EXTENT ALLOWED BY LAW.

NOTICE: This warranty gives you specific legal rights, and you may also have other rights which vary from state to state. There are no warranties applicable to Jacuzzi Luxury Bath products except as expressly stated herein or as implied by applicable state and federal laws. The Company will not be responsible for any statements or representations made in any form that go beyond, are broader than or are inconsistent with any authorized literature or specifications furnished by the Company. Some states do not allow limitations on how long an implied warranty lasts, or the exclusion or limitation of incidental or consequential damages, so the above limitations and exclusions may not apply to you.

## RETURN OF WARRANTY REGISTRATION

To register your product, please go to our web-site Jacuzzi.com, click on Bath and Showers, then select ONLINE WARRANTY REGISTRATION from the top of the page. You will then be prompted to enter your product Serial Number followed by your warranty registration information. Or you may also register by completing the registration below and mailing it to jacuzzi at the address provided below.

The attached Warranty Registration MUST be filled out by the purchaser within thirty (30) days from purchase and received by Jacuzzi Luxury Bath in order for this warranty to become effective.

## RESPONSIBILITIES OF OTHERS

Inspecting the unit prior to installation is the responsibility of the installer or building contractor who acts on behalf of the User. They are responsible for ensuring the unit is free of defect or damage. Notices are placed on and in the unit and on the shipping carton advising the installer of this responsibility. In the event of a problem, the unit must not be installed. The Company is not responsible for failures or damage that could have been discovered, repaired, or avoided by proper inspection and testing (including proper water testing) prior to installation.

Damage occurring in transit is the responsibility of the carrier. The User or installer MUST open the crate and inspect the unit for damage when it is delivered. If damage is discovered, it must be reported immediately to the seller and the carrier in writing, and an inspection requested. Failure of the carrier to respond should be reported to the seller and the carrier. Your freight claims should be filed promptly thereafter.

Damage occurring to the unit during installation is the responsibility of the installer and/or building contractor and damage occurring thereafter is the responsibility of the user.

Failure of any optional equipment is the sole responsibility of the equipment manufacturer except as provided above and shall not extend to or apply to any replacement parts for the Options and Accessories. Any replacement parts shall be covered by the original equipment manufacturer.

The Distributor or Dealer is responsible for knowing local code requirements and notifying the installing contractor and/or User of these requirements at the time of purchase. The Company is not responsible for costs to modify any product to obtain any code approval, such as city, county, or state building codes in U.S.A. or municipal or provincial codes in Canada.

## WARRANTY SERVICE

For the customer's benefit, the Company maintains a list of independent service personnel to perform required warranty service repairs. Such firms are not agents or representatives of the Company and cannot bind the Company by words or conduct.

The Company will provide the warranty service described above when the following conditions have been met: the failure is of the nature or type covered by the warranty; the User has informed an Authorized Jacuzzi Luxury Bath Service Agent or Warranty Service Department Representative of the nature of the problem during the warranty period; conclusive evidence (e.g., proof of purchase or installation) is provided to the foregoing by the user proving that the failure occurred or was discovered within the warranty period; an authorized independent service person or Company representative has been permitted to inspect the unit during regular business hours within a reasonable time after the problem was reported by the User. In order to obtain warranty service, contact Jacuzzi Luxury Bath at:

jacuzzi.com  
or  
Warranty Service Department  
14525 Monte Vista Avenue  
Chino, California 91710  
Call: 1-(800) 288-4002

To obtain warranty replacement for factory-installed components for Company supplied options and accessories manufactured and supplied by the Company, call or write the above. Provide a description of the problem and proof of purchase. You will be instructed how to obtain replacements and where to return, at your expense, the failed component(s), option(s), or accessory(ies).

All replacement parts, equipment, and repairs shall assume the remaining warranty period of the part(s) replaced.

The Company's warranty obligation shall be discharged upon tender of replacement or repair. The customer's refusal to accept the tender terminates the Company's warranty obligation.

Ninety-Day Parts Only Limited Warranty On Accessory(ies)
--



Jacuzzi® Luxury Bath  
14525 Monte Vista Avenue  
Chino, California 91710



WARRANTY REGISTRATION CARD

To complete your registration, visit our website at www.jacuzzi.com or fill out and mail this card to the address printed on the other side within thirty (30) days from date of purchase in order for this warranty to be come effective.



Purchaser's Name \_\_\_\_\_
Purchaser's Address \_\_\_\_\_
City \_\_\_\_\_ State \_\_ Zip \_\_\_\_\_
Home Phone: \_\_\_\_\_ Cell Phone: \_\_\_\_\_
Email: \_\_\_\_\_
Date of Purchase \_\_\_\_\_
Model Name \_\_\_\_\_
Serial Number \_\_\_\_\_
Dealer's Name \_\_\_\_\_
Dealer's Address \_\_\_\_\_

- 1. How did you first hear about this Jacuzzi® product?
2. Who first gave you specific information about this product (specifications, prices, etc.)?
3. What was the main reason for purchase?
4. Who finally decided which product you would buy?
5. Who installed?
6. What is the current market value of this property?
7. What is the age of the head of the household? Years
8. What other manufacturers did you consider?
9. How long did you shop before purchasing unit?
10. Approximately how long have you lived in this home?
11. Please indicate, approximately, the total annual income of your household.
12. Was your purchase process?
13. How technically aware were you of the patented Jacuzzi® jet system prior to your purchase?

Ninety-Day
Parts Only
Limited Warranty
On
Accessory(ies)



**SERIE DE BAÑERAS  
COMFORT WHIRLPOOL®**

**INSTRUCCIONES PARA LA INSTALACIÓN Y EL FUNCIONAMIENTO**

**Jacuzzi® Luxury Bath**

14525 Monte Vista Avenue  
Chino, CA 91710  
1-800-288-4002  
[www.jacuzzi.com](http://www.jacuzzi.com)





**Contenido**

Contenido.....	41
Información del producto.....	41
Instrucciones de seguridad.....	42
Instrucciones de seguridad operacional.....	43
Instrucciones de Seguridad Operacional.....	44
Introducción.....	46
Inspección y prueba.....	48
Estructura y soporte.....	49
Conexiones eléctricas.....	50
Instalación empotrada.....	52
Instalación en el hueco de 3 paredes.....	54
Instalación del faldón.....	54
Instalación de montaje bajo cubierta.....	55
Limpieza.....	55
Información general de funcionamiento.....	56
Funcionamiento del remolino Whirlpool.....	56
Cómo controlar la dirección y el flujo del remolino Whirlpool.....	57
Cómo purgar el sistema de remolino Whirlpool.....	58
Aditivos en la bañera.....	58
Mantenimiento.....	58
Procedimientos para la resolución de problemas.....	59
Servicio técnico autorizado.....	60
Warranty.....	61

**Información del producto**

Conserve estas instrucciones para uso futuro. Utilice el formulario que se encuentra a continuación para registrar su modelo y número de serie para referencia futura.

Fecha de la compra \_\_\_\_\_

Comprado a \_\_\_\_\_

Instalado por \_\_\_\_\_

Número de serie \_\_\_\_\_

Modelo \_\_\_\_\_


**Instalador:** deje el manual para el propietario.

**Propietario:** lea este manual y consérvelo para referencia futura.

**Instrucciones de seguridad**


LAS INSTRUCCIONES RELATIVAS A UN RIESGO DE INCENDIO, CHOQUE ELÉCTRICO, O LESIONES A PERSONAS.

Este es un producto de calidad profesional. El conocimiento de las técnicas de construcción, fontanería e instalación eléctrica de acuerdo a los códigos son necesarios para la correcta instalación y la satisfacción del usuario. Se recomienda que un contratista con licencia realizar la instalación de todos los productos Jacuzzi® Baño de lujo. Nuestra garantía no cubre la instalación incorrecta problemas relacionados.

 **PRECAUCIÓN:** Al utilizar esta unidad, siempre las precauciones básicas, debe procederse al incluyendo las siguientes:


• **LEA Y SIGA TODAS INSTRUCCIONES. GUARDE ESTAS INSTRUCCIONES.**

- Utilice esta unidad solamente para el uso que se describe en este manual. No utilice accesorios no recomendados por el fabricante.
- Nunca deje caer ni inserte ningún objeto en ninguna abertura.











 **ADVERTENCIA: RIESGO DE LESIÓN POR ACCIDENTE O AHOGARSE!** No permita que los niños utilicen esta unidad a menos que estén estrechamente supervisados en todo momento. No utilice a menos bañera de hidromasaje todos los dispositivos de aspiración son instalados para prevenir que el cuerpo y el cabello atrapamiento. No utilice nunca la bañera de hidromasaje, si la succión cubierta está rota, dañada o faltante.

 **PELIGRO: RIESGO DE GRAVES LESIONES POR DESCARGA ELÉCTRICA O LA MUERTE DE ELECTROCUCIÓN!**

Esta unidad sólo debe conectarse a un circuito de alimentación que se protegido por un interruptor de 15 amperios de circuito por falla a tierra (GFCI). Tal GFCI debe ser proporcionada por el instalador y deben someterse a pruebas en un manera rutinaria. Para probar el GFCI, empuje el botón de prueba. El GFCI debe interrumpir la alimentación eléctrica. Presione el botón de reinicio. Conviene, restaurado. Si el GFCI no funciona de esta manera, el GFCI defectuoso. Si el GFCI interrumpe la alimentación eléctrica a la bañera sin la prueba botón que está siendo empujado, una tierra de corriente está fluyendo, lo que indica una posibilidad de una descarga eléctrica. No utilice este hidromasaje bañera. Desconecte la bañera de hidromasaje y tienen la problema corregido por un representante de servicio calificado antes de usar.


 **ADVERTENCIA: RIESGO DE DESCARGA ELÉCTRICA!** No permita que los aparatos eléctricos (como un secador de pelo, luz eléctrica, teléfono, radio o televisión) dentro de los 60 "(1524 mm) de este bañera de hidromasaje. Conecte solamente a un circuito protegido por un falla a tierra interruptor de circuito (GFCI). (Para conexión permanente unidades) Un terminal de color verde (o un conector de cable) marcada "G" "GR", "tierra", o "Tierra" se facilita en el terminal de compartimiento. Para reducir el riesgo de descarga eléctrica, conecte el terminal o conector al terminal de tierra de su electricidad servicios o de suministro del panel con un conductor del mismo tamaño a la conductores del circuito de alimentación del equipo.

**Instrucciones de seguridad operacional**


-  **ADVERTENCIA:** No opere esta unidad sin la protección sobre el consumo de la bomba de circulación (tapa de succión y el filtro).
-  **PRECAUCIÓN:** Este equipo está diseñado para uso en interiores. Instale el equipo de acuerdo con estas instrucciones. Uso de suministro cables que son adecuados para 167 ° F (75 ° C), incluida la clasificación de temperatura de los conductores de limentación a utilizar. Esta unidad debe estar conectada a tierra e instalado por una licencia contratista, electricista, plomero y. Materiales de construcción y el cableado se deben colocar lejos del motor y la bomba o un ventilador o otros componentes que produzcan calor de esta unidad. Una presión conector de cable se proporciona en el exterior del motor / bomba y el calentador para permitir la conexión de un N ° 8 AWG de cobre sólido conductor que pega entre esta unidad y todos los demás eléctrica equipo y el metal expuesto en las proximidades, según sea necesario para cumplir con las exigencias locales.
-  **Al utilizar los equipos eléctricos, las precauciones básicas de seguridad deben seguirse, incluyendo las siguientes:**
-  **ADVERTENCIA:** RIESGO DE LESIÓN ACCIDENTAL O AHOGARSE! NIÑOS NO DEBE USAR BAÑERA DE HIDROMASAJE, SIN SUPERVISIÓN DE UN ADULTO.
-  **ADVERTENCIA:** RIESGO DE ACCIDENTE O DE AHOGARSE! NO BAÑERA DE HIDROMASAJE USO A MENOS QUE TODOS ASPIRACIÓN LOS GUARDIAS SE HAN INSTALADO PARA EVITAR QUE EL CUERPO Y EL CABELLO ATRAPAMIENTO.
-  **ADVERTENCIA:** PARA EVITAR LESIONES, TENGA CUIDADO AL ENTRAR O SALIR DE LA BAÑERA DE HIDROMASAJE.
-  **ADVERTENCIA:** RIESGO DE LESIÓN ACCIDENTAL O AHOGARSE! NO CONSUMEN DROGAS O ALCOHOL ANTES O DURANTE LA USO DE UN TINA DE HIDROMASAJE CON UN CALENTADOR PARA EVITAR INCONSCIENCIA Y POSIBLE AHOGAMIENTO.
-  **ADVERTENCIA:** RIESGO DE LESIÓN FETAL! EMBARAZADA O POSIBLEMENTE MUJERES EMBARAZADAS DEBEN CONSULTAR A UN MÉDICO ANTES USANDO UN TINA DE HIDROMASAJE CON UNA CALENTADOR.
-  **ADVERTENCIA:** RIESGO DE MORIR AHOGADO HIPERTERMIA Y POSIBLES: NO NO USE UN TINA DE HIDROMASAJE CON UNA CALENTADOR INMEDIATAMENTE DESPUÉS DE EJERCICIO EXTENUANTE.
-  **GUARDE ESTAS INSTRUCCIONES**

**Instrucciones de Seguridad Operacional**

 **ADVERTENCIA: RIESGO DE HIPERTERMIA Y POSIBLE AHOGAMIENTO!**  
No use una tina de hidromasaje con un calentador inmediatamente después de ejercicio vigoroso.


 **ADVERTENCIA: RIESGO DE CHOQUE ELÉCTRICO!**

- No utilice el sistema de hidromasaje a menos que el baño está lleno de agua a por lo menos 1-2 " (25-51 mm) por encima del jet más alto.
- No sumerja el panel de control por el llenado excesivo del baño.
- Al limpiar el baño, no use sustancias abrasivas que puedan dañar el baño de la superficie.
- Para evitar la decoloración del acabado acrílico, no llene el baño con agua por encima de 140 ° F (60 ° C).










 **ADVERTENCIA: LA INMERSIÓN PROLONGADA EN AGUA CALIENTE PUEDE PROVOCAR HIPERTERMIA!**  
La hipertermia ocurre cuando la temperatura interna del cuerpo alcanza un nivel superior a la temperatura corporal normal de 98,6 ° F (37 ° C). Los síntomas de hipertermia incluyen un aumento en la temperatura interna del cuerpo, mareos, letargo, somnolencia y desmayos. Los efectos de la la hipertermia incluyen:

- A. La falta de percibir el calor.
- B. El no reconocer la necesidad de salir de la bañera.
- C. Desconocimiento del peligro inminente.
- D. Daño al feto en mujeres embarazadas.
- E. Incapacidad física para salir de la bañera.
- F. La pérdida del conocimiento, aumentando el riesgo de ahogamiento.

 **ADVERTENCIA: RIESGO DE LESIÓN FETAL!**  
Las mujeres embarazadas o que puedan estar embarazadas deben consultar a un médico antes de utilizar una tina de hidromasaje con un calentador.

 **ADVERTENCIA:** Mantener el cuerpo y el cabello un mínimo de 6 " (152 mm) de la de succión en todo momento cuando el sistema de hidromasaje está en operación. El cabello largo hasta los hombros deben estar protegidos cerca de l a cabeza.

**Instrucciones de Seguridad Operacional (cont)**

-  **ADVERTENCIA:** El uso de alcohol, drogas o medicamentos puede aumentar enormemente el riesgo de hipertermia fatal. Las personas que usan dicamentos o tener una condición médica deben consultar a un médico antes de utilizar una tina de hidromasaje con un calentador.
-  **ADVERTENCIA:** No altere los controles efectuados por el usuario o soportes tales.
-  **ADVERTENCIA:** Utilice esta unidad solamente para el uso que se describe en este manual. No utilice accesorios no recomendados por el fabricantes.
-  **ADVERTENCIA:** Para evitar lesiones, tenga cuidado al entrar o salir del bañera de hidromasaje.
-  **ADVERTENCIA:** No utilice bañera de hidromasaje a menos que todos los guardias de succión se instalan para evitar que el cuerpo y el atrapamiento del cabello. Nunca operar en el baño de hidromasaje, si la tapa de succión está roto, dañado o no.
-  **ADVERTENCIA:** La temperatura del agua superior a 104 ° F (40 ° C) puede ser perjudicial para su salud. Controlar y ajustar la temperatura del agua antes de.
-  **PRECAUCIÓN:** Pruebe el interruptor de circuito por falla a tierra la protección de este aparato periódicamente de acuerdo con las instrucciones del fabricante.
-  **IMPORTANTE:** Lea las instrucciones completas de este manual antes de comenzar con la instalación.
-  **IMPORTANTE:** Para un funcionamiento óptimo, el nivel del agua debe mantenerse en 1 " " a 2 (25mm a 50mm) por encima del jet más alto y no utilice a base de aceite aditivos bañera en su bañera de hidromasaje.

La Compañía ha obtenido códigos correspondientes (standards) listados generalmente disponibles a nivel nacional para los productos de este tipo. Es responsabilidad de la instalador / propietario para determinar el cumplimiento de las normas locales específicas antes de la instalación del producto. La Compañía no hace ninguna representación, ni garantiza, y no será responsable de cualquier cumplimiento del código. Las especificaciones del producto están sujetas a cambios sin previo aviso.

## Introducción

El drenaje/rebosadero de la bañera se extiende por debajo de la parte inferior de ésta. Para ello se requiere el recorte de una porción del piso.

**La estructura del piso debajo de la bañera debe poder soportar el peso total de la bañera, el agua y el ocupante. Consulte la tabla de peso total correspondiente a su modelo.**

La bañera debe estar apoyada sobre su base y no sobre su borde ni sobre el borde de azulejos. Si el contrapiso está nivelado y tiene una superficie continua, no es necesario realizar otra preparación. Puede comenzar a instalar la bañera. Si el contrapiso no está nivelado, DEBE nivelar toda la superficie antes de instalar la bañera. Está permitido el uso de materiales que funcionen como cuñas o que provean un nivel para la instalación, siempre que el método utilizado garantice una bañera nivelada que esté apoyada sobre su base. Entre los materiales que se pueden utilizar se encuentran un compuesto nivelador para pisos, mortero, yeso o espuma estructural de mínima expansión que tenga una densidad de un mínimo de 5 lb./pie cúbico; sin embargo, la bañera debe mantenerse nivelada para que se drene adecuadamente y todos los pies de espuma deben hacer contacto total con el material de nivelación. Ambos lados de la unión o del empalme del contrapiso deben estar nivelados. Al ajustar bañeras con bordes a una pared de travesaños, use cuñas para cerrar las brechas que pudieran quedar entre el borde de la bañera y los travesaños.

El borde de la bañera no está diseñado para aguantar peso. Si el material de terminación quedara superpuesto o en contacto con la bañera, debe tener la capacidad de soportar totalmente este peso demás.

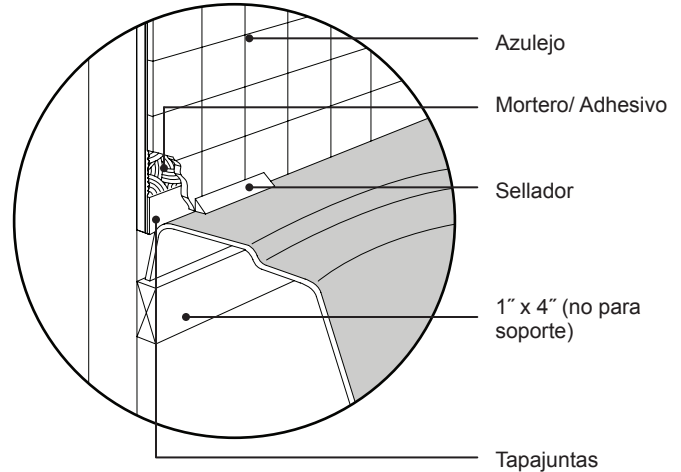


Si una falda se va a utilizar, debe ser instalado en el momento de la instalación de la unidad - se refieren a la falda instrucciones de instalación. Instale el marco de piezas opcionales cuando toda la instalación se ha completado.

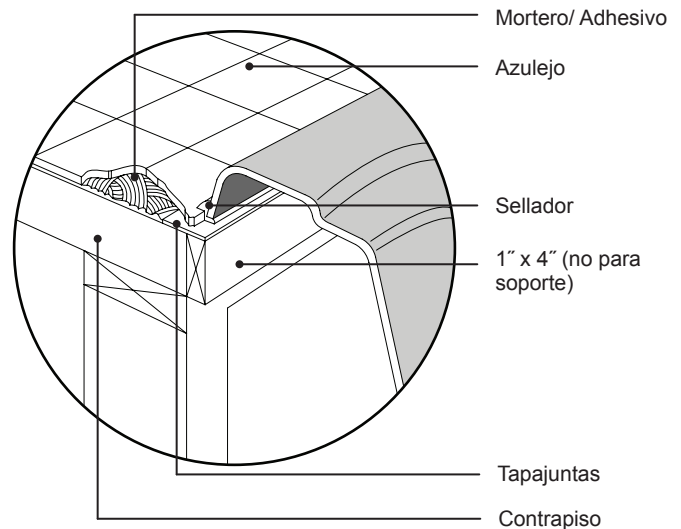


En los modelos Riva™ 5 y Riva™ 6, la fontanería de descarga se extiende levemente fuera del borde de la bañera. Cuando se instala cualquiera de esos modelos a un nivel más bajo, primero debe bajar el lado de la bomba/motor dentro del recorte.

### AL RAS CON LA PARED



### A UN NIVEL MÁS BAJO



### KIT OPCIONAL DE BORDE DE AZULEJOS

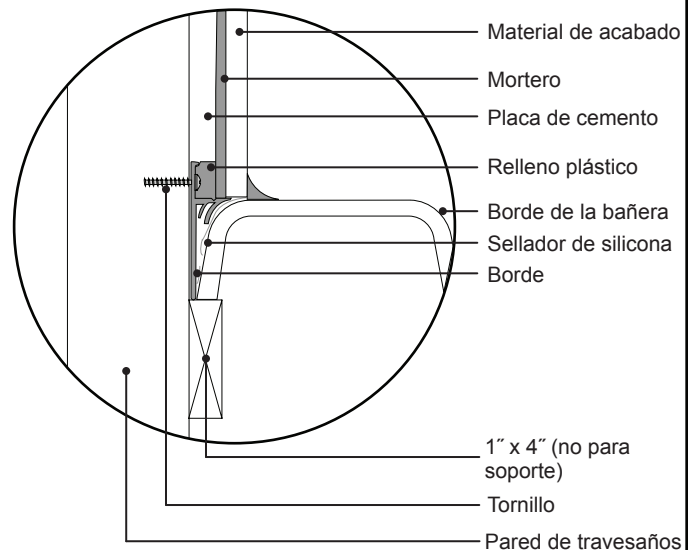


Figura 23

**Detalle del montaje típico del borde**

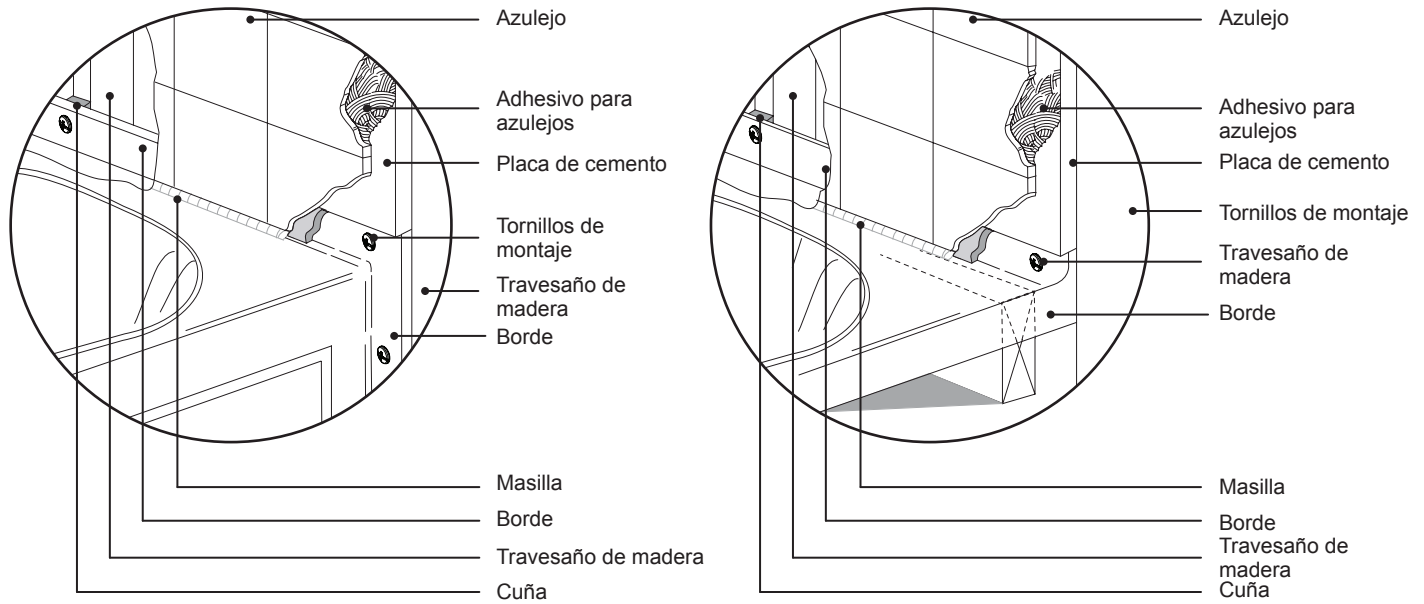


Figura 24

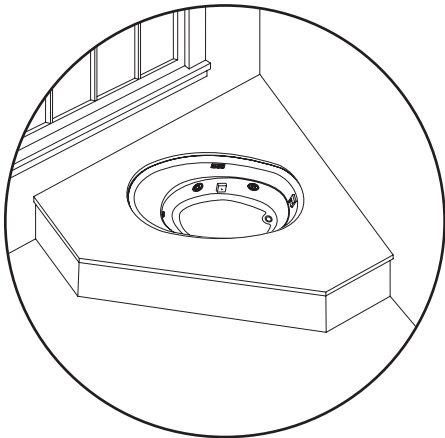


Las cuñas se deben usar para ajustar o cerrar toda brecha que exista entre el borde y el travesaño de madera.

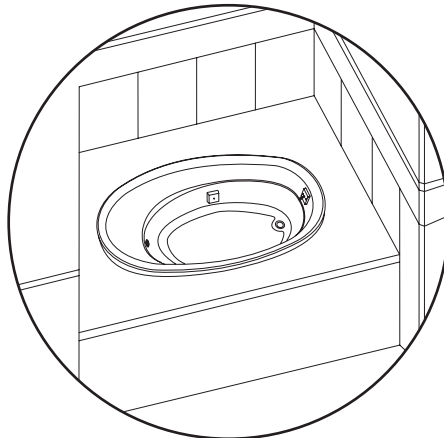
**Opciones de instalación de montaje bajo cubierta**



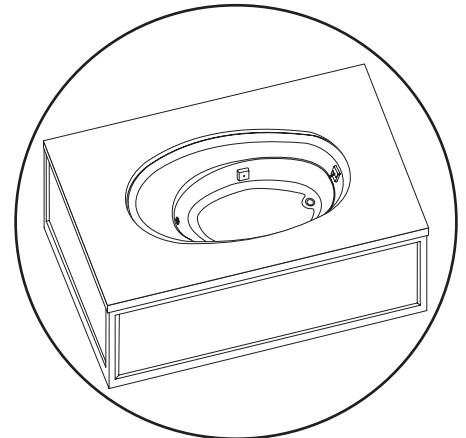
El montaje bajo cubierta brinda la posibilidad de ser flexible en el diseño y en la ubicación de la bañera. Se presentan ejemplos de instalaciones posibles. Consulte la sección "Instalación de montaje bajo cubierta".



**ESQUINA**



**NICHO**



**NO EMPOTRADA**

Figura 25

## Inspección y prueba

### Inspección visual

- 1 Retire la bañera de la caja de envío. Tenga cuidado de no rayar la superficie de la bañera con las grapas expuestas. Retire las grapas o plieguelas hacia el interior de la caja. Conserve la caja hasta que la inspección del producto haya sido satisfactoria. Nunca levante la bañera sujetándola por la fontanería; sólo hágalo por el armazón.
- 2 Inspeccione el armazón y los componentes de la bañera. En caso de que la inspección revele cualquier daño o defecto en el acabado o daño visible en cualquiera de los componentes, no instale la bañera. Los daños o defectos en el acabado reclamados después de la instalación de la bañera están excluidos de la garantía. La responsabilidad de Jacuzzi Luxury Bath por daños durante el transporte finaliza contra entrega de los productos en buen estado al transportista.
- 3 Presente sus reclamos por daños al transportista. Para conocer los términos de la cobertura y las limitaciones de la garantía, consulte la información publicada sobre la garantía embalada con el producto o al dorso de este manual.

### Verificación del funcionamiento y del agua de la bañera

El funcionamiento apropiado de todas las unidades de bañera y el buen estado de las conexiones herméticas son probados en fábrica antes del envío. No obstante, el instalador debe probar la unidad nuevamente antes de la instalación. Jacuzzi Luxury Bath no se hace responsable de ningún defecto que pudiera haberse descubierto, reparado o evitado de haberse seguido este procedimiento de inspección y prueba:

- 1 Coloque la bañera sobre una superficie nivelada, cerca de un suministro eléctrico, suministro de agua y drenaje de agua adecuados. La entrada del garage es una opción adecuada.
- 2 Selle el orificio de drenaje y el orificio del rebosadero con cinta o con un tapón y llene la bañera hasta la parte inferior del orificio del rebosadero.
- 3 Permita que el agua de la bañera repose por 5 minutos.
- 4 Conecte el motor/bomba y encienda la unidad. Confirme que todas las características funcionen según se describe en la sección de Funcionamiento de este manual. No instale la bañera si no funciona como se describe.
- 5 Inspeccione visualmente todas las uniones para ver si hay goteos. No instale la bañera si se detectan pérdidas.
- 6 Vuelva a colocar la bañera en la caja o de lo contrario protéjala de daños hasta el momento de la instalación.



## Estructura y soporte

Se ha incluido un Manual de especificaciones técnicas con su bañera. El Manual de especificaciones técnicas incluirá información importante relacionada a su producto Jacuzzi Luxury Bath. Busque el Manual de especificaciones técnicas en este momento.

Enmarque el espacio donde colocará la bañera. Al preparar el área deberá tener en cuenta lo siguiente:

- Las dimensiones proporcionadas en los diagramas de instalación son nominales. Tome las medidas de su unidad al recibirla y construya conforme a las dimensiones reales.
- La estructura del piso debajo de la bañera debe poder soportar el peso total de la bañera, el agua y el ocupante.
- La bañera debe estar apoyada sobre su base, no sobre su borde. En el caso de instalaciones empotradas, tenga en cuenta el espesor del material de recubrimiento y del material de acabado (mármol, azulejo, etc.).
- Asegúrese de que el borde descansa en una superficie nivelada.
- Por norma, se debe facilitar el acceso al motor/bomba de su modelo específico. Las ubicaciones principales y secundarias de acceso al servicio se muestran en los diagramas de instalación incluidos en el Manual de especificaciones Técnicas.



Es responsabilidad del instalador, el contratista de obra o el propietario proporcionar el acceso al servicio. Jacuzzi no se responsabiliza de ninguno de los costos relacionados con la obtención de accesos para efectuar reparaciones. El propietario debe pagar por dichos costos y, si es apropiado, debe solicitar el reintegro del instalador.

- Provea una ventilación apropiada para el enfriamiento y un suministro de aire suficiente para el motor/bomba. No coloque aislamiento alrededor del equipo.
- La bañera puede tener piezas del motor/bomba que se prolongan más allá de su borde. Consulte los diagramas de instalación que se incluyen en el paquete de la garantía y los diagramas de construcción de la estructura para ubicarla de forma correcta.

### Common Access Locations

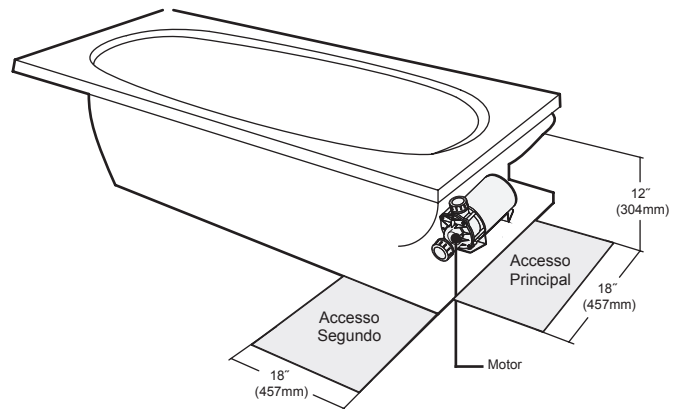
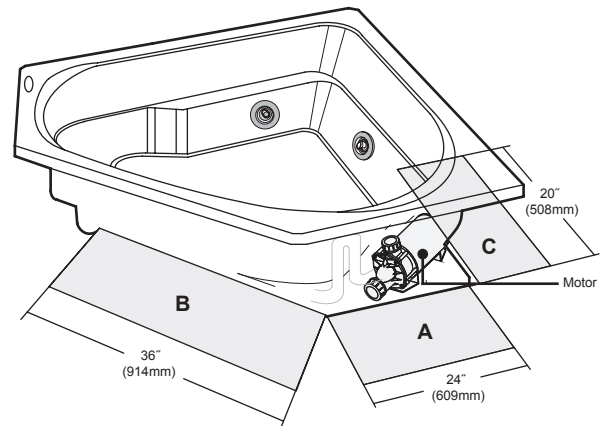


Figura 26



**A** = Acceso principal

**B** = Alternativa aceptable en caso de que el acceso **A** no sea posible

**C** = Acceso secundario para el equipo (opcional)



El acceso a la unidad por la izquierda se encuentra en el lado opuesto (en espejo).

Figura 27

## Contrapiso

Prepare el contrapiso para el drenaje y asegúrese de que el área esté nivelada.

- 1 El drenaje/rebosadero de la bañera se extiende por debajo de la parte inferior de ésta. Identifique la ilustración que corresponde a su bañera en el Manual de especificaciones técnicas.
- 2 Realice los cortes adecuados en el contrapiso para ubicar el drenaje.
- 3 La base Tru-Level™ de Jacuzzi es una característica estándar en todas las bañeras. Si el contrapiso está nivelado y tiene una superficie continua, no es necesario realizar otra preparación. Vaya a la sección "Instalación".
- 4 Si el contrapiso no está nivelado, debe nivelar toda la superficie antes de instalar la bañera. Los materiales utilizados asegurarán que la bañera esté sostenida desde la parte inferior. Estos materiales incluyen: un compuesto de nivelación, mortero, yeso o espuma estructural de mínima expansión (con una densidad de un mínimo de 5 lb./pie cúbico). La bañera debe permanecer nivelada para que pueda drenar adecuadamente, y debe hacer contacto con el material de nivelación. Ambos lados de la unión o del empalme del contrapiso deben estar nivelados.

## Conexiones eléctricas



Riesgo de descarga eléctrica. Realice la conexión sólo a un circuito protegido por un GFCI.



Al utilizar productos eléctricos, siempre debe tomar las siguientes precauciones básicas:

- Siempre siga los códigos eléctricos y de construcción locales.
- Es necesario una conexión a tierra. La unidad debe ser instalada y conectada a tierra por un electricista especializado.

Se requiere un circuito independiente con un GFCI de 120 VAC, 15 A para el motor/bomba.



Riesgo de calentamiento excesivo de los componentes. No utilice el prolongador eléctrico para suministrar corriente a esta unidad.



El funcionamiento del motor/bomba sin la cantidad de agua suficiente en la bañera puede provocar pérdidas y daño permanente.

## Bomba y motor

La información proporcionada a continuación es aplicable a todas las unidades de baño de lujo con jacuzzi.



Las tomas de corriente eléctrica debe ser montado de 4" (101 mm) por encima de la línea de suelo, o de acuerdo con la construcción de locales y los códigos eléctricos.

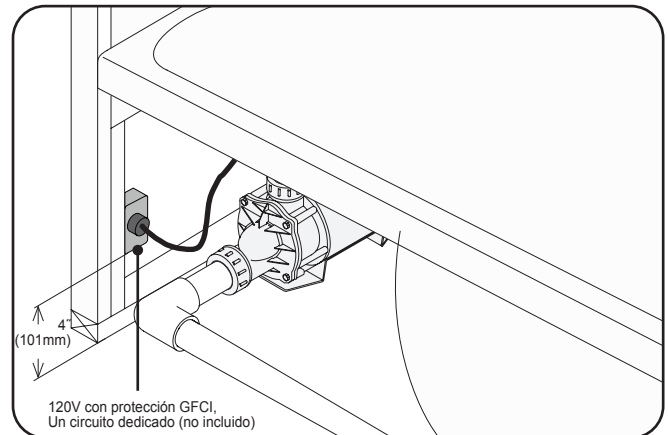
### Bomba / Motor



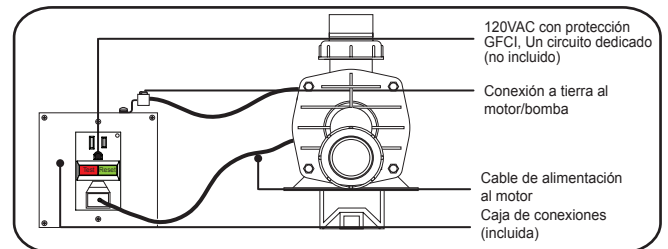
En las unidades de la esquina siguiente (Capella 55 con falda integral, Capella 60 con falda integral y Tara con falda integral), una caja de conexiones se ha proporcionado. Para acceder, retire el panel de la falda de acceso. Ver las vistas superiores en Rough-En la sección de localización.

Un circuito protegido GFCI dedicado y es necesaria para la bomba / motor y se va a instalar en la caja de conexiones. La caja de conexiones es tener cableado. El motor está conectado a la caja de conexiones en la fábrica.

- La bomba / motor y el calentador requiere una dedicada 120 VAC, 15 AMP protección de GFCI. La toma de alimentación eléctrica no está previsto.
- Terminales de unión se proporcionan en el calentador y el motor para satisfacer los códigos eléctricos locales.
- En la primera puesta en marcha, prueba de unidades de GFCI para realizar esta operación. Siga las instrucciones del fabricante sobre el uso correcto.



Bomba / Motor



Bomba / Motor (Rincón de unidades)

Caja de conexión para Capella 55 con faldón, Capella 60 con faldón, Tara con faldón

Figura 28



Si las unidades GFCI indicar un mal funcionamiento, según las instrucciones del fabricante, apague la corriente y no usar la bañera hasta que el origen del problema ha sido identificada y corregida por un electricista con licencia.

### Ilustraciones de referencia

Las ilustraciones son sólo de referencia ya que la unidad se entrega totalmente armada.

Riesgo de choque eléctrico. Antes de reparar la unidad, desconecte todos los cables de alimentación a todos los servicios de 120VAC.

#### Diagrama esquemático del panel de control J2

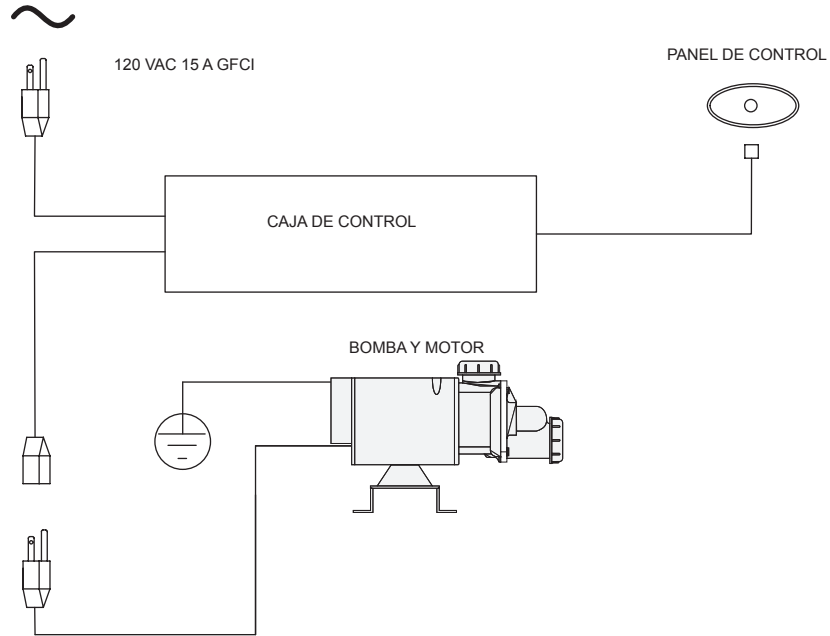


Figura 29

## Instalación empotrada



Antes de que comience con la instalación, lea lo siguiente:

- Cumpla con todos los códigos locales y de construcción.
- Determine las herramientas que va a utilizar durante la instalación.
- Las piezas adicionales de drenaje de la bañera y fontanería están comercialmente disponibles en las tiendas de instalaciones sanitarias y ferreterías.
- La información para la instalación del drenaje/rebosadero está incluida con su bañera en el manual de instrucciones para la instalación.

Finalice la instalación del recubrimiento de la bañera.

**1**

Instale el drenaje/rebosadero conforme a las instrucciones del fabricante. Consulte también el Manual de especificaciones técnicas.



La instalación hermética del drenaje es responsabilidad del instalador. La fuga del drenaje no está incluida en la garantía Jacuzzi Luxury Bath de este producto.

**2**

Instale el grifo en este momento. Se recomienda que el grifo sea instalado por un fontanero calificado.



La instalación adecuada de las tuberías de descarga y el cumplimiento de los códigos locales son responsabilidad del instalador. Jacuzzi Luxury Bath no garantiza las conexiones de las tuberías y los accesorios para el suministro de agua, los sistemas de llenado o los sistemas de drenaje/rebosadero. Tampoco se responsabiliza de los daños ocasionados a la bañera que puedan ocurrir durante la instalación.



Se debe colocar una barrera protectora no inflamable entre el trabajo de soldadura y la bañera para evitar daños en la unidad.

**3**

Prepare el orificio de corte para la bañera; utilice la plantilla de tamaño completo proporcionada o las dimensiones de corte indicadas en la tabla de especificaciones del Manual de especificaciones técnicas.



La plantilla puede mostrar las pautas para más de una bañera; asegúrese de seleccionar los lineamientos apropiados. Si considera el montaje bajo cubierta como una opción, procure seleccionar los lineamientos que se aplican a la instalación que está realizando.

**4**

Finalice todo el trabajo de acabado de la plataforma y cúbrala para evitar dañarla mientras coloca la bañera.

**5**

El aislamiento se puede colocar dentro del recubrimiento de la bañera.



Procure una ventilación adecuada alrededor del motor/bomba para asegurar el suficiente flujo de aire y enfriamiento.

**6**

Desconecte el suministro de energía hacia los circuitos especializados protegidos con GFCI.

**7**

Coloque pedazos de madera para desecho en cada uno de los extremos del recorte; esto se utilizará como un soporte temporal antes de bajar la bañera completamente en la abertura.

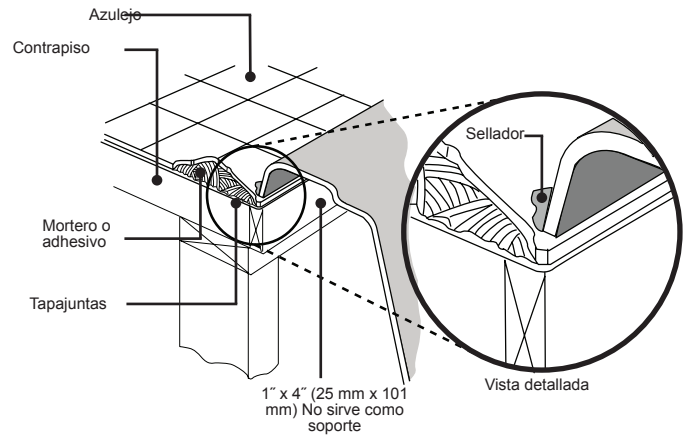


Figura 30

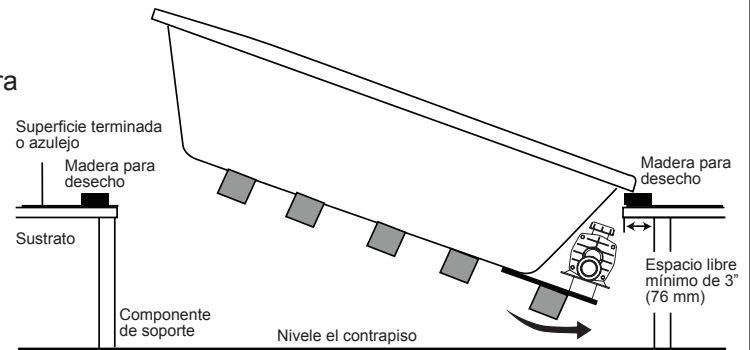



Figura 31

### Instalación empotrada (cont.)

- 8 Instale la unidad, introduciendo primero el extremo del motor/bomba y luego bajando la bañera dentro de la abertura, como se muestra en la ilustración.
-  NO utilice tuberías ni líneas para bajar la unidad. Permita que la bañera descansa sobre los soportes.
- 9 Inspeccione todos los accesorios, las instalaciones de fontanería y las líneas de control luego de insertar la bañera para asegurar que los componentes no estén dañados, desconectados o en contacto con el sustrato de la superficie terminada o con los componentes de soporte.
- 10 Conecte las tuberías flexibles de suministro de agua hacia el grifo y enchufe los cables de alimentación en las tomas del GFCI.
- 11 Quite los pedazos de madera para desecho y baje la bañera completamente dentro de la abertura.
- 12 Encuadre la bañera y conecte el drenaje.
- 13 Encienda el suministro de energía para los circuitos especializados protegidos con GFCI y compruebe el funcionamiento del sistema.
- 14 Aplique masilla alrededor del perímetro de la bañera para sellar el espacio entre el borde y la plataforma terminada.

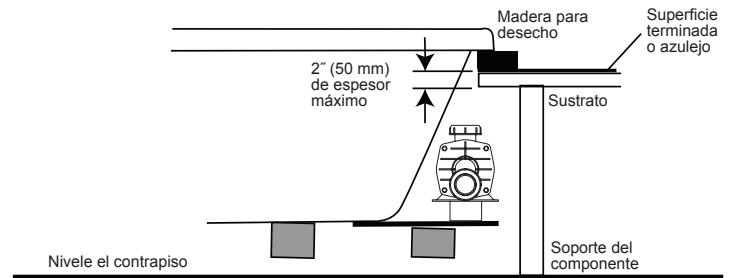


Figura 32

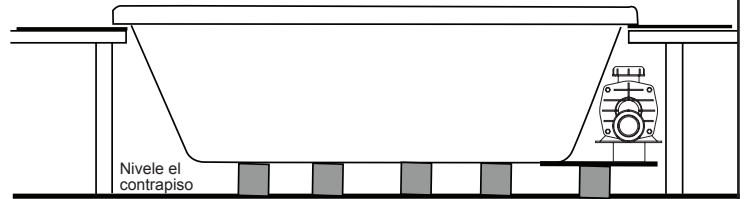


Figura 33

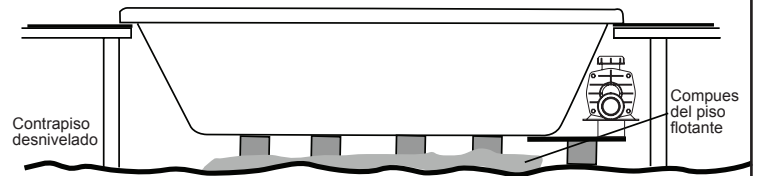



Figura 34

### Instalación en el hueco de 3 paredes

- 1 Instale el drenaje/rebosadero conforme a las instrucciones del fabricante. Consulte también el Manual de especificaciones técnicas.
-  La instalación hermética del drenaje es responsabilidad del instalador. La fuga del drenaje no está incluida en la garantía Jacuzzi Luxury Bath de este producto.
- 2 Instale el grifo en este momento. Se recomienda que el grifo sea instalado por un fontanero calificado.
- 3 Instale el borde (no incluido) según las instrucciones que están incluidas en el kit. Si la bañera viene equipada con un borde integrado, omita este paso.
- 4 Coloque la bañera en el nicho. Atornille el borde al travesaño de madera. Es posible que necesite colocar cuñas a la unidad para cerrar cualquier brecha que exista entre el travesaño de madera y el borde.
- 5 El aislamiento se puede colocar dentro del recubrimiento de la bañera.
- 6 Desconecte el suministro de energía hacia los circuitos protegidos con GFCI.
- 7 Encadre la bañera y conecte el drenaje.
- 8 Conecte las tuberías flexibles de suministro de agua hacia el grifo y enchufe los cables de alimentación en la toma del GFCI.
- 9 Inspeccione todos los accesorios, las instalaciones de fontanería y las líneas de control luego de insertar la bañera para asegurar que los componentes no estén dañados, desconectados o en contacto con el sustrato de la superficie terminada o con los componentes de soporte.
- 10 Encienda el suministro de energía para los circuitos especializados protegidos con GFCI y compruebe el funcionamiento del sistema.
- 11 Complete todo el trabajo de acabado alrededor del perímetro de la bañera para sellar el espacio entre el borde y la plataforma terminada.

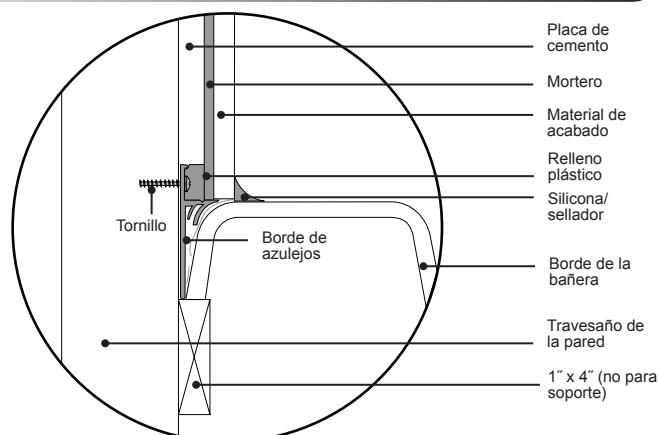


Figura 35

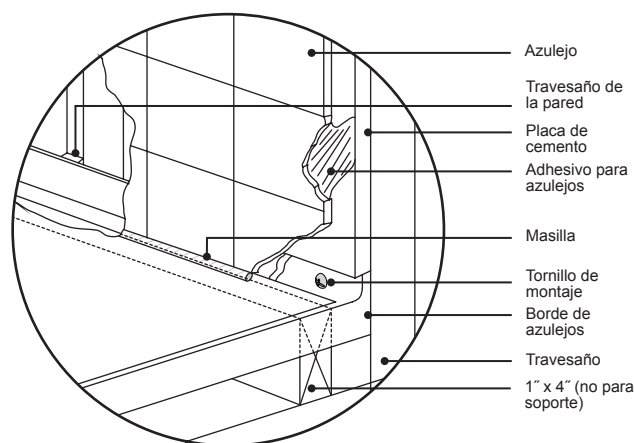



Figura 36

### Instalación del faldón

#### Bañeras con faldón integral

- 1 Atornille los bordes del faldón a los travesaños de la pared.
-  Es posible que necesite colocar cuñas a la unidad para cerrar cualquier brecha que exista entre los travesaños de la pared y los bordes.
- 2 Complete el trabajo de acabado sobre los bordes del faldón.
- 3 Aplique masilla alrededor del perímetro del faldón para sellar el espacio entre el faldón y la plataforma terminada.

#### Bañeras con faldón opcional

Si está instalando un faldón integral, consulte la Guía de instalación de faldones antes de continuar. Complete los pasos de montaje e instalación conforme a la Guía de instalación de faldones.

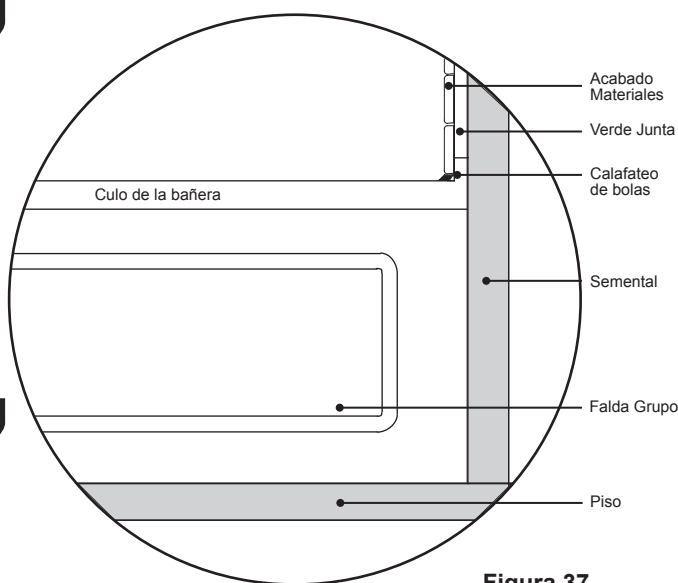


Figura 37

### Instalación de montaje bajo cubierta

- 1 Instale el drenaje/rebosadero conforme a las instrucciones del fabricante.
- ⚠ La instalación hermética del drenaje es responsabilidad del instalador. La fuga del drenaje no está incluida en la garantía Jacuzzi Luxury Bath de este producto.
- 2 Desconecte el suministro de energía hacia los circuitos especializados protegidos con GFCI.
- 3 Instale la unidad en la ubicación deseada. NO utilice tuberías ni líneas para transportar o bajar la unidad.
- 4 Inspeccione todos los accesorios, las instalaciones de fontanería y las líneas de control luego de colocar la bañera para verificar que ninguno de los componentes esté dañado o desconectado.
- 5 Encuadre la bañera y conecte el drenaje.
- 6 El aislamiento se puede colocar dentro del recubrimiento de la bañera.
- ⚠ Procure una ventilación adecuada alrededor del motor/bomba para asegurar el suficiente flujo de aire y enfriamiento.
- 7 Corte la plataforma/encimera para que calce utilizando la plantilla de montaje bajo cubierta que viene con la unidad de la siguiente manera:
  - Ubique la plantilla de modo que las guías deseadas de montaje bajo cubierta estén alineadas con el borde tal como se muestra.
  - Con un lápiz litográfico, marque las líneas del centro (indicadas con en la plantilla). Quite la plantilla.
  - Mida la distancia desde la pared u otro punto fijo hasta las líneas del centro.
- 8 Fije la encimera a la bañera. Limpie cualquier suciedad o residuo de la parte superior del borde de la bañera. Aplique gotas de sellador de silicona en todo el borde de la bañera.
- ⚠ No utilice adhesivo ni sellador adhesivo para fijar la encimera a la bañera. Si se requiere mantenimiento o remodelación, es posible que deba quitarse la encimera. El adhesivo unirá de manera permanente la encimera a la bañera. Ubique con cuidado la plataforma/encimera sobre la bañera. Siga las instrucciones del fabricante para determinar el tiempo de curado.
- 9 Aplique una capa continua de sellador de silicona alrededor de toda la junta entre la encimera y el borde de la bañera. Deje curar el sellador de acuerdo con las instrucciones del fabricante.
- 10 Encienda el suministro de energía de los circuitos especializados protegidos con GFCI y compruebe el funcionamiento del sistema.

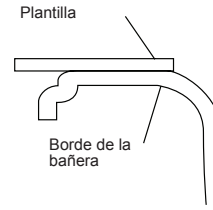


Figura 38

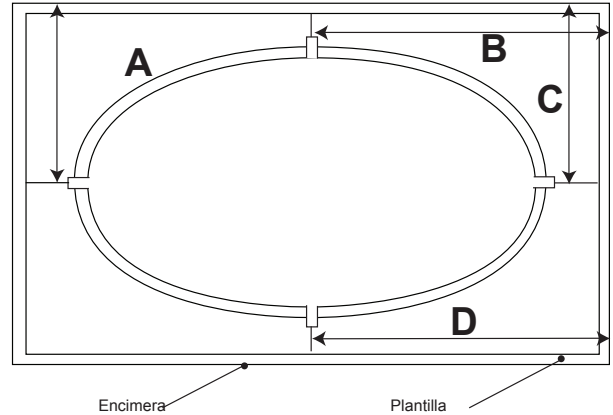


Figura 39

### Limpieza

Para evitar que la superficie de la bañera se raye o pierda brillo, nunca use limpiadores abrasivos. Para la mayoría de las superficies sucias, basta el uso de detergente líquido suave y agua tibia. También se recomienda lo siguiente:

- Quite el yeso derramado con un filo de madera o plástico. Las manchas dejadas por el yeso o lechada pueden eliminarse frotando ligeramente con una esponja o un paño húmedo con detergente. No use rasquetas de metal, cepillos de acero ni otras herramientas metálicas ya que dañarán la superficie de la bañera.
- Las manchas de pintura, alquitrán u otras manchas difíciles se pueden eliminar con Fantastik® o agua jabonosa.
- Los rayones menores que no penetran en el acabado de color se pueden eliminar lijando suavemente con un papel de lija húmedo o seco de grano 600. Puede restaurar el acabado brillante de la superficie acrílica de la bañera con un compuesto especial, el Meguiar's Mirror Glaze N.º 10. Si no lo puede conseguir, utilice un compuesto de lustrado de automóviles y luego aplique cera en pasta para automóviles.
- Será necesario volver a aplicar el acabado si los rayones y estrías penetran en la superficie acrílica. Llame a Jacuzzi Luxury Bath para localizar a un agente de servicio cercano a su domicilio.

### Información general de funcionamiento

Todas las bañeras fabricadas por Jacuzzi Luxury Bath están diseñadas para “llenar y drenar”, lo que significa que se debe vaciar la bañera después de cada uso y llenarla con agua limpia para el próximo baño. Esto es una precaución para la salud, ya que estas bañeras no están diseñadas para contener agua de manera continua como las piscinas o bañeras de hidromasaje.

Cierre el drenaje y llene la bañera hasta que el agua esté al menos a 1 ó 2 pulgadas (25 a 51 mm) por encima del chorro más alto (consulte el nivel de agua que se indica en la ilustración). No encienda nunca el sistema de remolino Whirlpool si las boquillas de los chorros no están totalmente sumergidas en agua. Hacer funcionar el sistema de remolino Whirlpool cuando no hay agua suficiente dentro de la bañera podría provocar salpicaduras de agua fuera del área de la bañera. Hacer funcionar el sistema de remolino Whirlpool sin agua dañará la bomba de recirculación.



Al salir de la bañera, el nivel del agua bajará y quedará por debajo de las boquillas de los chorros, lo cual puede causar salpicaduras de agua fuera de la unidad. Para evitarlas, debe apagar (OFF) la bañera antes de salir.

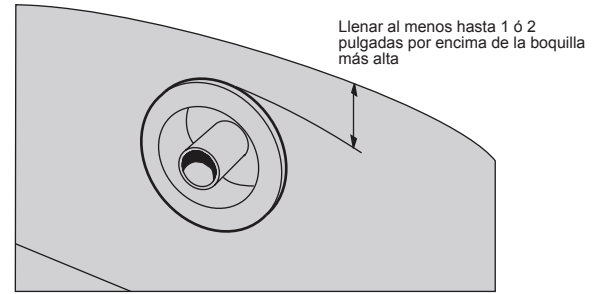


Figura 40

### Funcionamiento del remolino Whirlpool

**ENCENDIDO:** oprima el botón una vez para encender (ON) los chorros de remolino Whirlpool.

**APAGADO:** oprima el botón una segunda vez para apagar (OFF) los chorros de remolino Whirlpool.

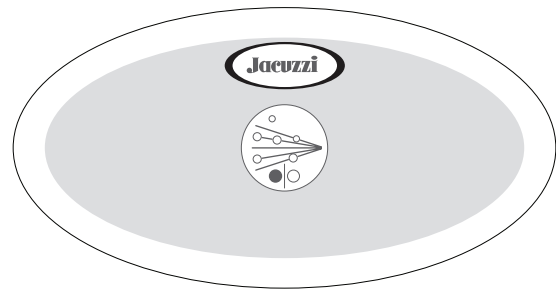


Figura 41

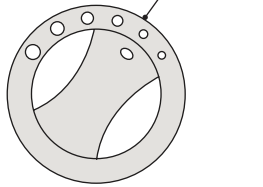


## Flujo de aire (si es suministrado)

Gire el disco de la válvula de aire izquierda para activar las válvulas de aire del lado izquierdo. Gire el disco de la válvula de aire derecha para activar las válvulas de aire del lado derecho.

La cantidad de aire dirigida a los chorros se puede regular, desde el nivel máximo hasta cerrarlos.

Gire el disco en el sentido de la agujas del reloj para disminuir el flujo de aire



Gire el disco en el sentido contrario a las agujas del reloj para aumentar el flujo de aire; en el sentido de las agujas del reloj para disminuir el flujo de aire

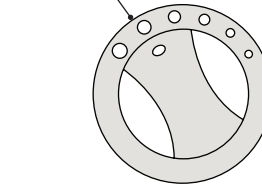
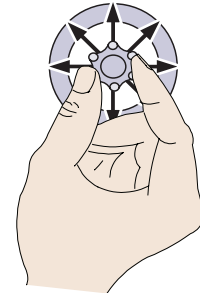


Figura 42

## Cómo controlar la dirección y el flujo del remolino Whirlpool

### Dirección:

Es posible ajustar la dirección de todos los chorros Jacuzzi, excepto la de los chorros giratorios para el cuello. Para cambiar la dirección del flujo de agua, gire la boquilla del chorro en la dirección deseada. Cada chorro se puede dirigir hacia cualquier parte de su cuerpo de manera que le dé un hidromasaje. Además, los chorros se pueden ajustar para que todos apunten en la misma dirección (en sentido de las agujas del reloj o en el contrario) de manera que el agua circule por toda la bañera y se cree un efecto de remolino Whirlpool total.



Chorros ajustables a varias direcciones

### Fuerza del agua:

La mayoría de los chorros Jacuzzi están diseñados para poder ajustarles el flujo de agua. Para una acción enérgica, aumente la fuerza del flujo girando la boquilla hacia la izquierda (en sentido contrario a las agujas del reloj). Para un efecto más suave, o para cerrar el chorro, debe girarla hacia la derecha (en el sentido de las agujas del reloj).

Cerrar uno o más chorros puede aumentar la fuerza del agua de los demás chorros.

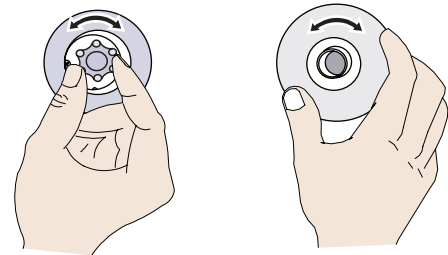




Figura 43

 En los chorros giratorios para el cuello, y algunos chorros AccuPro™, no se puede ajustar la fuerza del agua.

 Jamás haga funcionar el sistema de remolino Whirlpool si todos los chorros están cerrados.

## Cómo purgar el sistema de remolino Whirlpool

Para eliminar la acumulación de residuos de la bañera en el sistema de remolino whirlpool, se recomienda limpiar la bañera al menos dos veces al mes. Sin embargo, para obtener mejores resultados, le recomendamos limpiar la bañera después de cada uso con Systems Clean™, nuestro sistema limpiador de fontanería exclusivo de dos componentes, fabricado especialmente para las bañeras con remolino whirlpool. Systems Clean™ está disponible a través de los distribuidores autorizados de Jacuzzi Whirlpool Bath o llamándonos directamente al 1-800-288-4002.

## Aditivos en la bañera



No use aditivos de aceite o con base oleosa.

Si desea usar algún tipo de aditivo para baños de inmersión, use sólo una pequeña cantidad de polvo de baja espuma o una sustancia cristal; la acción de remolino Whirlpool intensifica las propiedades que tienen los jabones para hacer espuma.

El uso de cierto tipo de aceites, burbujas y aditivos para baños de inmersión puede aumentar el nivel de acumulación de residuos de la bañera en el sistema de remolino Whirlpool y puede causar que los sensores hagan una lectura falsa del nivel de agua. Si persiste la acumulación excesiva, deberá interrumpir el uso de ese tipo de productos.

## Mantenimiento

Para limpiar la bañera, simplemente use un detergente líquido suave no abrasivo. Puede proteger y restaurar el brillo de una superficie acrílica aplicando Meguiar's Mirror Glaze n.º 10, un producto diseñado específicamente para uso en acabados acrílicos. Si no se puede conseguir Meguiar's, utilice un compuesto de buena calidad para el lustrado de automóviles seguido de una aplicación de cera en pasta para automóviles.



Nunca utilice limpiadores abrasivos de uso doméstico en ningún producto Jacuzzi Luxury Bath.

## Reparación de superficies

Los rayones menores que no penetran en el acabado de color se pueden eliminar lijando suavemente con un papel de lija húmedo o seco de grano 600. Restablezca el brillo con Meguiar's Mirror Glaze o cera en pasta para automóviles. Será necesario volver a aplicar el acabado si los rayones y estrías penetran en la superficie acrílica. Llame a Jacuzzi Luxury Bath para localizar a un agente de servicio cercano a su domicilio.

### Mantenimiento de la tapa protectora de succión/filtro

Cuando sea necesario, limpie los cabellos y desechos que queden en la tapa protectora de succión o en el filtro.

- 1** Quite el tornillo central y retire la tapa protectora de succión.
- 2** Limpie la tapa protectora empujando los desechos de los orificios con una corriente de agua.
- 3** Luego de la limpieza, vuelva a colocar inmediatamente la tapa protectora de succión.

Al momento de volver a colocarla, oriente la tapa/filtro de manera que la pequeña muesca quede en la parte inferior. La junta se debe insertar en la ranura de la tapa/filtro antes de volver a colocarla dentro del accesorio de succión.

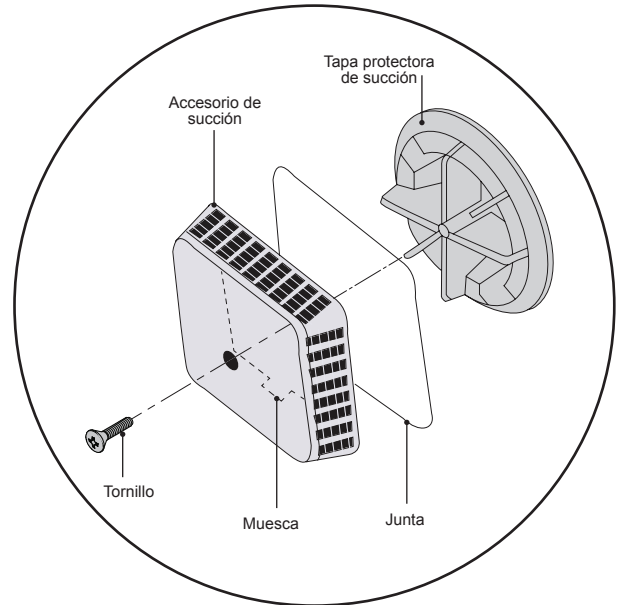


Figura 44

Cuando el sistema de remolino Whirlpool esté funcionando, mantenga el cabello al menos a 6 pulgadas (152 mm) de distancia del accesorio de succión. El cabello cuyo largo sobrepase los hombros deberá asegurarse cerca de la cabeza o se deberá colocar una gorra de baño.

¡No encienda el sistema de remolino si la tapa protectora de succión/filtro no está en su lugar! Es un dispositivo de seguridad y siempre debe estar colocado dentro del accesorio de succión para minimizar el posible peligro de que queden atrapados el cabello o alguna parte del cuerpo.

### Procedimientos para la resolución de problemas

PROBLEMA	CAUSAS PROBABLES	SOLUCIÓN
El motor/bomba no arranca	El motor/bomba no tiene suministro de energía El motor/bomba no está enchufado	Reinicie el GFCI Conecte bien el enchufe en la toma Asegúrese de que el panel de control esté conectado a la caja de control
	El motor/bomba está averiado	Comuníquese con Jacuzzi Luxury Bath al 800-288-4002
El motor/bomba funciona pero no funciona ninguno de los chorros ajustables	Los chorros están cerrados	Abra los chorros girándolos en sentido contrario al de las agujas de reloj
	La tapa protectora de succión/filtro puede estar obstruida	Con el motor apagado (OFF), quite la tapa protectora de succión/filtro y elimine todos los desechos. Vuelva a colocar la tapa protectora de succión antes de poner en funcionamiento
El motor/bomba funciona pero no se inyecta aire al agua	Las válvulas de aire están cerradas	Abra las válvulas de control de aire.
Pérdidas de agua desde uniones de la bomba	Demasiado ajustada, junta tórica posiblemente pellizcada o mal asentada, mal ajustada	Afloje las uniones, revise y vuelva a asentar la junta tórica. Si la junta tórica estaba pellizcada y perdió la forma, cámbiela (consulte el número a continuación). Cuando ajuste las tuercas de unión, hágalo sólo manualmente.
El motor/bomba se apaga solo antes de que transcurra el tiempo	La protección térmica del motor ha desactivado el motor/bomba por recalentamiento (bajo voltaje suministrado) Se activó el GFCI.	Deje enfriar el motor; la protección térmica se reiniciará. Revise que la ventilación sea adecuada (ver el suministro de voltaje). Reinicie el GFCI. Si continúa activándose, no utilice la unidad. Desconecte la unidad y solicite a un electricista matriculado que solucione el problema antes de volver a utilizarla
	El cableado de alimentación eléctrica es inadecuado.	Consulte con un electricista matriculado para corregirla unidad de cableado.
Las luces de cromoterapia no funcionan.	El conector se aflojó.	Comuníquese con Jacuzzi Luxury Bath al 800-288-4002.

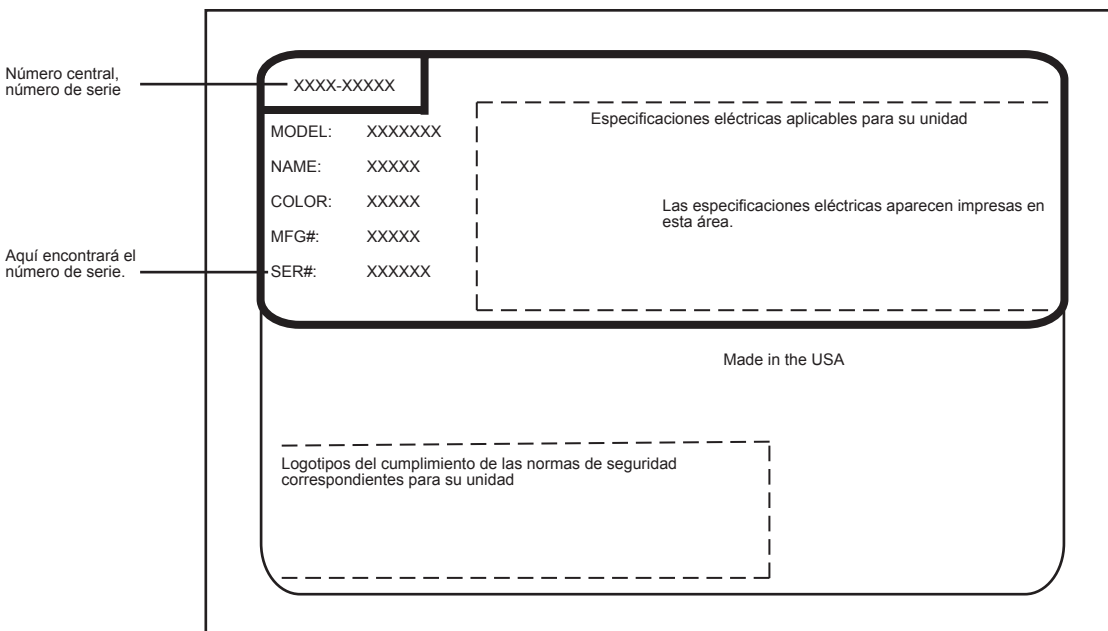
Si la unidad aún se encuentra dentro del período de la garantía, comuníquese con Asistencia de Servicio Técnico de Jacuzzi Whirlpool Bath llamando al 1-800-288-4002 y verifique el número de serie de su bañera antes de que se inicie el trabajo. El número de serie se encuentra en la Placa de Especificaciones / Número de serie.

## Servicio técnico autorizado

Si necesita obtener los datos de una empresa de servicio técnico cercana a su domicilio o necesita ayuda con dudas relacionadas con el funcionamiento o mantenimiento, llame a nuestro Departamento de Asistencia de Servicio Técnico al 1-800-288-4002. Visite nuestro sitio web en <http://www.jacuzzi.com/> para conocer los productos y servicios y obtener una copia electrónica de estas Instrucciones para la instalación y el funcionamiento.

Cuando solicite un servicio o asistencia técnica, tenga a mano tanto el número de modelo como el número de serie de su unidad. Puede consultar esta información en la tarjeta de registro del producto que se proporciona junto con la unidad. Si extravió la tarjeta, puede obtener esta información en la etiqueta de especificaciones/número de serie que se encuentra en la unidad misma. La etiqueta está ubicada en la pared de la bañera cerca del motor del generador de burbujas de aire.

## ETIQUETA DE ESPECIFICACIONES/NÚMERO DE SERIE



LAS ESPECIFICACIONES DEL PRODUCTO ESTÁN SUJETAS A CAMBIO SIN PREVIO AVISO.

UTILICE EL MANUAL DE ESPECIFICACIONES TÉCNICAS PROVISTO CON EL PRODUCTO.

Jacuzzi® Luxury Bath ha obtenido los listados de los códigos (normas) aplicables que suelen estar disponibles a nivel nacional para productos de este tipo. Es responsabilidad del instalador o propietario determinar el cumplimiento de los códigos locales específicos antes de instalar el producto. Jacuzzi® Luxury Bath no realiza manifestaciones ni ofrece garantías con respecto al cumplimiento de ningún código, ni será responsable de dicho cumplimiento.

Jacuzzi® Luxury Bath  
14525 Monte Vista Avenue  
Chino, California, 91710  
1-800-288-4002  
[www.jacuzzi.com](http://www.jacuzzi.com)

## **Garantía limitada de por vida para las bañeras de marca Jacuzzi Luxury de las Colecciones Comfort, Comfort Plus, Pure Air®, Luxury, Salon™ Spa y Pure Air® II**

### **COBERTURA DE LA GARANTÍA**

Jacuzzi Whirlpool Bath (la "Compañía") ofrece la siguiente garantía expresa limitada de por vida al comprador original («usuario») de cualquier producto Jacuzzi® Whirlpool Bath incluido en la colección de la Compañía, que compre la Bañera para uso personal o residencial unifamiliar. La Compañía reparará o reemplazará, a su exclusiva elección, la Bañera o su equipo de acuerdo con los siguientes términos y condiciones.

### **GARANTÍA DE POR VIDA PARA LAS BAÑERAS**

La Compañía le extiende al usuario de la Bañera una garantía intransferible limitada de por vida que establece que el casco mantendrá su integridad y configuración estructural y que no tendrá pérdida de agua debido a un defecto en el casco de la bañera. Esta garantía cubre contra defectos en el material o en la mano de obra únicamente el casco de la bañera y la bomba, los chorros, los controles y el soplador instalados por el fabricante. Esta garantía no se aplica a ningún modelo de exposición ni a ninguna opción o accesorio que estén cubiertos por nuestra garantía limitada por noventa (90) días establecida a continuación. La cobertura de la garantía comienza en la fecha en que el usuario compró originalmente la unidad y al momento en que la Compañía recibe la Tarjeta de registro de la garantía debidamente completada según se describe a continuación.

### **GARANTÍA DE MANO DE OBRA POR 1 AÑO PARA TODOS LOS COMPONENTES INSTALADOS DE FÁBRICA:**

Nuestra garantía limitada de mano de obra es por un período de un (1) año a partir de la fecha en que el usuario compró originalmente la unidad pero por no más dos (2) años a partir de la fecha de fabricación. Nuestra garantía cubre todos los componentes instalados de fábrica (por ejemplo, la bomba, el motor, el soplador y la plomería) contra fallas debido a defectos en los materiales y en la mano de obra.

### **GARANTÍA LIMITADA POR 1 AÑO (PIEZAS ÚNICAMENTE) PARA EL CALENTADOR OPCIONAL**

Nuestra garantía limitada para nuestro Calentador opcional es por un (1) año para las piezas únicamente y excluye la mano de obra. La cobertura de la garantía comienza en la fecha en que se compró el calentador como una opción para utilizar únicamente en las bañeras Espree.

### **GARANTÍA LIMITADA POR 90 DÍAS (PIEZAS ÚNICAMENTE) PARA LAS OTRAS OPCIONES Y ACCESORIOS**

Nuestra garantía cubre las opciones y los accesorios fabricados por la compañía pero que no fueron instalados en fábrica (por ejemplo, juegos de surtidores de llenado, bordes, faldones, almohadillas, etc.) contra defectos en el material o en la mano de obra. La cobertura de la garantía comienza en la fecha en que el usuario compró originalmente la opción o el accesorio. Los artículos pueden estar cubiertos por una garantía del fabricante, la cual puede tener mayor duración que esta garantía limitada. Confirme con el fabricante la duración de la garantía adecuada para las opciones y los accesorios.

### **LIMITACIONES DE LA GARANTÍA**

Nuestra garantía limitada no cubre defectos, daños ni fallas ocasionadas por el transportista, el instalador, el usuario u otras personas, mascotas o roedores, ni los que resulten, sin limitación, de cualquiera de las siguientes causas: manipulación descuidada (levantar la unidad tomándola de la grifería, raspar el acabado, etc.) inclusive por su propia negligencia; modificación de cualquier tipo por cualquier motivo (incluso modificaciones para cumplir con los códigos locales); instalación incorrecta (incluso la instalación no conforme a las instrucciones y especificaciones suministradas con la unidad); conexiones proporcionadas por el instalador del equipo; tensión de alimentación inadecuada o modificación eléctrica no autorizada; mal uso; funcionamiento incorrecto o falta de mantenimiento de rutina adecuado; funcionamiento de la unidad sin la cantidad mínima de agua especificada o con agua a temperatura inadecuada; uso de limpiadores abrasivos o inapropiados; o actos fortuitos tales como rayos, inundaciones, terremotos, etc. Además, LA COMPAÑÍA NO SERÁ RESPONSABLE DE DAÑOS INCIDENTALES O CONSECUENTES o pérdidas derivadas de cualquier causa (por ejemplo, daños causados por el agua en las alfombras, techos, azulejos, mármol, pérdida de uso, etc.) inclusive por su propia negligencia; daños a, relativos a, o que resulten de: las piezas cromadas si se utilizan productos químicos para piscinas y/o bañeras de hidromasaje en la unidad o si existen condiciones de agua dura; los equipos opcionales para bañeras no fabricados por la Compañía pero suministrados por el Distribuidor, el instalador o la Compañía; el uso anterior de la unidad para hacer demostraciones de funcionamiento; o defectos que deberían haberse descubierto antes de la instalación. Esta garantía limitada no incluye: costos de mano de obra, transporte ni otros costos incurridos en la remoción y/o reinstalación de la unidad original y/o instalación de una unidad de reemplazo; ningún costo relacionado con obtener acceso para la reparación; ni daños por pérdida de uso, incluso pérdida de ventas, ganancias o ventajas comerciales de cualquier tipo y en cualquier circunstancia. Las bañeras quedan excluidas de la cobertura de cualquier garantía si se ha realizado alguna adición, supresión o modificación de cualquier tipo a la unidad (o a cualquier componente).

La cobertura de la garantía se brinda únicamente en los Estados Unidos de América y Canadá.

### **EXCLUSIÓN DE LAS GARANTÍAS IMPLÍCITAS**

LAS GARANTÍAS IMPLÍCITAS DE COMERCIABILIDAD Y APTITUD CON UN FIN DETERMINADO QUEDAN TOTALMENTE EXCLUIDAS O HASTA EL MÁXIMO GRADO PERMITIDO POR LEY.

AVISO: esta garantía le otorga derechos legales específicos y es posible que usted goce de otros derechos que varían según el estado. No existen garantías que se apliquen a los productos Jacuzzi Whirlpool Bath, salvo las detalladas expresamente en la presente o las implícitas en las leyes estatales y federales correspondientes. La Compañía no será responsable de ninguna declaración o representación realizada de cualquier forma que supere, exceda o resulte contraria a cualquier literatura autorizada o a las especificaciones suministradas por la Compañía.

Algunos estados no permiten limitaciones en relación con la duración de una garantía implícita, la exclusión ni la limitación de los daños incidentales o consecuentes, de manera tal que es posible que las limitaciones y exclusiones anteriores no se apliquen en su caso.

## DEVOLUCIÓN DE LA TARJETA DE REGISTRO DE LA GARANTÍA

Para registrar su producto, ingrese en nuestro sitio web Jacuzzi.com, haga clic en Bath and Showers (Bañeras y duchas) y luego seleccione ONLINE WARRANTY REGISTRATION (REGISTRO DE LA GARANTÍA EN LÍNEA) en la parte superior de página. Se le pedirá que ingrese el número de serie de su producto y, a continuación, la información de registro de la garantía. También puede completar el registro que se encuentra abajo y enviarlo por correo a Jacuzzi a la dirección indicada a continuación.

Para que esta garantía entre en vigencia, el comprador DEBE llenar el Registro de la garantía que se adjunta en un plazo de treinta (30) días a partir de la compra, y Jacuzzi Luxury Bath debe recibirlo.

### RESPONSABILIDADES DE TERCEROS

La inspección de la unidad antes de la instalación es responsabilidad del instalador o el contratista de obra que actúa en representación del Usuario. Estos terceros son responsables de verificar que la unidad no presente defectos ni daños. Hay avisos colocados en la unidad y en la caja de envío en los que se informa al instalador acerca de esta responsabilidad. En caso de producirse un problema, no se debe instalar la unidad. La Empresa no se responsabiliza de las fallas o los daños que podrían haberse descubierto, reparado o evitado mediante una inspección y pruebas adecuadas (incluida la prueba de agua correspondiente) antes de la instalación.

Los daños ocurridos durante el transporte son responsabilidad del transportista. El Usuario o instalador DEBE abrir la caja e inspeccionar la unidad para verificar que no tenga daños al momento de la entrega. Si se descubre algún daño, inmediatamente debe informarse por escrito al vendedor y al transportista y solicitar una inspección. Si el transportista no responde, se debe informar al vendedor y al transportista. Sus reclamos de flete deben presentarse sin demoras después de eso.

Los daños ocasionados en la unidad durante la instalación son responsabilidad del instalador y/o contratista de obra, y los daños ocasionados posteriormente son responsabilidad del usuario.

Las fallas de cualquier equipo opcional son responsabilidad exclusiva del fabricante del equipo, excepto por lo estipulado anteriormente, y no se extenderá ni aplicará a ninguna pieza de reemplazo para las Opciones y Accesorios. Todas las piezas de reemplazo estarán cubiertas por el fabricante del equipo original.

El Distribuidor o Vendedor es responsable de conocer los requisitos de los códigos locales y de notificar estos requisitos al contratista instalador y/o al Usuario al momento de la compra. La Empresa no es responsable de los costos incurridos para la modificación de algún producto con el fin de obtener la aprobación de los códigos, como los códigos de construcción de la ciudad, el condado o el estado en los EE. UU. o los códigos municipales o provinciales en Canadá.

### SERVICIO DE GARANTÍA

Para beneficio del cliente, la Empresa mantiene una lista de personal de servicio técnico independiente para efectuar las reparaciones requeridas del servicio de garantía. Estas empresas no son agentes ni representantes de la Empresa ni pueden obligar a la Empresa mediante palabras o proceder.

La Empresa proporcionará el servicio de garantía antes descrito siempre que se cumplan las siguientes condiciones: la falla es de la naturaleza o del tipo cubierto por la garantía; el Usuario ha informado a un Agente de Servicio Autorizado de Jacuzzi Luxury Bath o a un Representante del Departamento de Servicio de Garantía acerca de la naturaleza del problema durante el período de la garantía; el usuario entrega a dicho agente o representante pruebas concluyentes (p. ej., comprobante de compra o instalación) que demuestran que la falla ocurrió o se descubrió dentro del período de la garantía; se le ha permitido a una persona del servicio técnico independiente autorizado o un representante de la Empresa inspeccionar la unidad en horario comercial normal dentro de un tiempo razonable después de que el Usuario informó sobre el problema. A fin de obtener servicio de garantía, comuníquese con Jacuzzi Luxury Bath al:

jacuzzi.com

or

Warranty Service Department

14525 Monte Vista Avenue

Chino, California 91710

Call: 1-(800) 288-4002

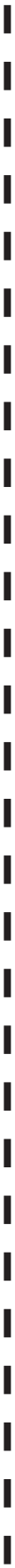
Para obtener un reemplazo cubierto por la garantía de componentes instalados de fábrica para las opciones y los accesorios proporcionados y fabricados por la Empresa, llame al teléfono o escriba a la dirección que se indican arriba. Brinde una descripción del problema y un comprobante de compra. Se le indicará cómo obtener los reemplazos y dónde devolver, a su cargo, el/los componente/s, la/s opción/opciones o el/los accesorio/s fallado/s.

Todas las piezas y los equipos de reemplazo y las reparaciones asumirán lo que quede del período de la garantía de la/s pieza/s reemplazada/s.

La obligación de la Empresa con relación a la garantía finalizará con la oferta de reemplazo o reparación. La negativa del cliente a aceptar la oferta deja sin efecto la obligación de la Empresa con relación a la garantía.

Garantía limitada  
de noventa días  
únicamente para  
piezas sobre  
accesorio(s)

Luxury Bath by Jacuzzi®  
HE97000



Jacuzzi® Luxury Bath  
14525 Monte Vista Avenue  
Chino, California 91710



## TARJETA DE REGISTRO DE LA GARANTÍA



Para que esta garantía entre en vigencia, visite nuestro sitio web en [www.jacuzzi.com](http://www.jacuzzi.com) o llene esta tarjeta y envíela por correo a la dirección impresa al dorso dentro de los treinta (30) días a partir de la fecha de compra.

Nombre del comprador \_\_\_\_\_

Dirección del comprador \_\_\_\_\_

Ciudad \_\_\_\_\_ Estado \_\_\_\_\_ Código postal \_\_\_\_\_

Teléfono de la casa \_\_\_\_\_ Teléfono celular \_\_\_\_\_

Correo electrónico \_\_\_\_\_

Fecha de compra \_\_\_\_\_

Nombre del modelo \_\_\_\_\_

Número de serie \_\_\_\_\_

Nombre del distribuidor \_\_\_\_\_

Dirección del distribuidor \_\_\_\_\_

1. ¿Cómo se enteró por primera vez de este producto Jacuzzi®?
  - Anuncio publicitario  Artículo en revista/periódico
  - Visitó al distribuidor/proveedor de instalaciones sanitarias
  - Páginas amarillas
  - Constructor/fontanero/remodelador  Decorador/arquitecto
  - Visitó tienda minorista/de artículos para el hogar
  - Referido por otros... Amigo/pariente/conocido
  - Otro (Describa) \_\_\_\_\_
2. ¿Quién fue el primero en darle información específica sobre este producto (especificaciones, precios, etc.)?
  - Distribuidor/proveedor de instalaciones sanitarias  Constructor
  - Remodelador
  - Contratista de fontanería  Tienda minorista/de artículos para el hogar
  - Decorador/arquitecto  Ya estaba instalado
3. ¿Cuál fue el principal motivo para la compra?
  - Estilo  Servicio de garantía  Características del producto
  - Marca  Precio  Hidroterapia
  - Reventa de la casa \_\_\_\_\_
  - Otro \_\_\_\_\_
4. ¿Quién tomó la decisión final de qué producto comprar?
  - Usted mismo  Cónyuge  Usted y su cónyuge
  - Otro miembro de la familia  Diseñador/arquitecto
  - Constructor/fontanero/remodelador  Ya estaba instalado
5. ¿Quién lo instaló?  Ya estaba instalado/casa nueva
  - Contratista/fontanero durante la remodelación
  - Usted/cónyuge durante la remodelación
  - Otro \_\_\_\_\_
6. ¿Cuál es el valor de mercado actual de esta propiedad?
 

Estime en \$ \_\_\_\_\_
7. ¿Qué edad tiene el jefe de familia? \_\_\_\_\_ años
8. ¿Qué otros fabricantes tuvieron en cuenta?
  - Eljer  Lasco  Price Pfister  Aqua Glass
  - Kohler  American Standard  Sterling
  - Otro (especifique) \_\_\_\_\_
9. ¿Cuánto tiempo estuvo buscando antes de comprar la unidad?
  - 1 día  de 2 a 6 meses
  - de 2 a 7 días  de 6 meses a 1 año
  - de 1 a 2 semanas  de 1 a 2 años
  - de 2 a 4 semanas  más de 2 años
  - de 1 a 2 meses
10. Aproximadamente, ¿cuánto tiempo lleva viviendo en esta casa \_\_\_\_\_?
11. Indique, aproximadamente, el ingreso anual total de su grupo familiar.
  - Hasta \$24.999  de \$50.000 a \$74.999
  - De \$25.000 a \$29.999  de \$75.000 a \$99.999
  - De \$30.000 a \$39.999  de \$100.000 a \$149.999
  - De \$40.000 a \$49.999  más de \$150.000
12. ¿Cómo fue el proceso de compra?
  - Muy fácil  Fácil  Difícil  Muy difícil
13. Desde el punto de vista técnico, ¿cuánto conocía usted sobre el sistema de chorros Jacuzzi® patentado antes de realizar la compra?
  - No conocía nada  Conocía algo  Conocía mucho

Garantía limitada  
 de noventa días  
 únicamente para  
 piezas sobre  
 accesorio(s)





**SÉRIE DE BAIGNOIRES DE  
MASSAGE COMFORT**

**DIRECTIVES D'INSTALLATION ET D'UTILISATION**

**Jacuzzi® Luxury Bath**

14525 Monte Vista Avenue  
Chino, CA 91710  
1-800-288-4002  
[www.jacuzzi.com](http://www.jacuzzi.com)



## Contenu

Contenu.....	67
Renseignements sur le produit.....	67
Directives de sécurité.....	68
Instrucciones de seguridad operacional.....	69
Instrucciones de seguridad operacional.....	70
Introduction.....	72
Inspection et essai.....	74
Cadrage et soutien.....	75
Connexions électriques.....	76
Installation par le dessus.....	78
Installation dans une alcôve à trois murs.....	80
Installation de la jupe.....	80
Installation en dessous.....	81
Nettoyage.....	81
Renseignements généraux sur l'utilisation.....	82
Fonctionnement de la baignoire de massage.....	82
Contrôle de la direction et du débit de la baignoire de massage.....	83
Vidange du système de la baignoire de massage.....	84
Additifs pour baignoire.....	84
Entretien.....	84
Procedimientos para la resolución de problemas.....	85
Service autorisé.....	86
Warranty.....	87

## Renseignements sur le produit



Conservez ces directives pour utilisation ultérieure. Utilisez le formulaire ci-dessous pour noter votre modèle et numéro de série pour consultation future.

Date d'achat \_\_\_\_\_

Acheté chez \_\_\_\_\_

Installé par \_\_\_\_\_

Numéro de série \_\_\_\_\_


Modèle \_\_\_\_\_

**Installateur** : laissez le manuel au propriétaire.

**Propriétaire** : lisez ce manuel et gardez-le pour consultation future.


**Directives de sécurité****INSTRUCTIONS RELATIVES AU RISQUE DE FEU, UN CHOC ÉLECTRIQUE OU DE BLESSURES.**


Il s'agit d'un produit de qualité professionnelle. Une connaissance des techniques de construction, de plomberie et d'installation électrique conformément aux codes sont nécessaires pour l'installation et la satisfaction des utilisateurs. Nous recommandons qu'un entrepreneur agréé d'effectuer l'installation de tous les produits ® Jacuzzi de luxe. Notre garantie ne couvre pas une mauvaise installation des problèmes connexes.


 **ATTENTION:** Lorsque vous utilisez cet appareil, des précautions de base doivent toujours être effectuées, y compris les suivantes:

• **LIRE ET SUIVRE TOUTES INSTRUCTIONS. CONSERVER CES INSTRUCTIONS.**











- Utiliser cet appareil uniquement pour son usage prévu, comme décrit dans ce manuel. Ne pas utiliser les accessoires recommandés par le fabricant.
- Ne jamais laisser tomber ou insérer des objets dans les ouvertures.

 **ATTENTION:** risque de blessure accidentelle ou d'une noyade! Ne pas laisser les enfants utiliser cet appareil à moins qu'ils sont étroitement supervisé en tout temps. Ne pas utiliser les baignoires d'hydromassage, sauf tous les dispositifs d'aspiration sont installés pour empêcher le corps et les cheveux la provocation policière. Ne jamais faire fonctionner la baignoire d'hydromassage, si la succion capot est cassé, endommagé ou manquant.

 **DANGER:** Risque de grave blessure par choc électrique ou de décès d'électrocution! Cet appareil doit uniquement être raccordé à un circuit d'alimentation qui est protégé par un disjoncteur de 15 ampères au sol faute (GFCI). Une telle GFCI doit être fournie par l'installateur et doit être testé sur un de façon systématique. Pour tester le disjoncteur, appuyer sur le bouton d'essai. Le GFCI devraient couper le courant. Appuyez sur le bouton de réinitialisation. Power devrait être restaurée. Si le GFCI ne fonctionne pas de cette manière, le différentiel est défectueux. Si le disjoncteur interrompt le pouvoir de la baignoire sans le test bouton est poussé, un motif courant circule, indiquant une possibilité d'un choc électrique. Ne pas utiliser ce hydromassage baignoire. Débrancher la baignoire à hydromassage et le problème corrigé par un représentant compétent avant de l'utiliser..

 **AVERTISSEMENT:** Risque de choc électrique! Ne pas laisser les appareils électriques (tels que sèche-cheveux, lampe, téléphone, radio ou télévision) dans les 60 "(1524mm) de cette baignoire à hydromassage. Connecter uniquement à un circuit protégé par un disjoncteur différentiel (GFCI). (Pour connectés en permanence nités) Une borne verte (ou un connecteur) portant la mention «G», «GR», «terrain», ou «Grounding») est fournie dans le compartiment de raccordement. Pour réduire le risque de choc électrique, connectez-vous le terminal ou connecteur à la borne de mise à la terre de votre électriques panneau de service ou de fourniture avec un équivalent en chef de la taille de la conducteur d'alimentation de l'équipement.

**Instrucciones de seguridad operacional**

-  **AVERTISSEMENT:** Ne pas faire fonctionner cet appareil sans la garde sur la consommation de la pompe de circulation (couvercle d'aspiration / filtre).
-  **ATTENTION:** Cet équipement est destiné à une utilisation en intérieur. Installez le l'équipement en conformité avec ces instructions. Utilisez l'offre fils qui se prêtent à 167 ° F (75 ° C), y compris les cote de température des conducteurs d'alimentation à utiliser. Cette appareil doit être relié à la terre et installé par un installateur entrepreneur, électricien, plombier et. Les matériaux de construction et Le câblage doit être acheminé à l'écart du moteur / pompe ou un ventilateur ou chaleur autres composantes production de cette unité. Une pression le connecteur est prévu à l'extérieur du moteur / pompe et chauffage pour permettre la connexion d'un n ° 8 AWG en cuivre massif conducteur de liaison entre cet appareil et tous les autres électriques métal matériel et exposés dans les environs, au besoin, pour se conformer aux exigences locales.
-  **Lorsque vous utilisez cet équipement électrique, des précautions de base doivent toujours être respectées, y compris les suivantes:**
-  **ATTENTION:** RISQUE DE BLESSURES ACCIDENTELLES OU LA NOYADE! ENFANTS NE DEVRAIENT PAS UTILISER BAIGNOIRE À HYDROMASSAGE, SANS SURVEILLANCE D'UN ADULTE.
-  **ATTENTION:** RISQUE DE BLESSURE ACCIDENTELLE OU D'UNE NOYADE! NE SONT PAS UTILISATION BAIGNOIRE À HYDROMASSAGE SI TOUS ASPIRATION GARDES SONT INSTALLÉS POUR EMPÊCHER LE CORPS ET LES CHEVEUX PROVOCATION POLICIÈRE.
-  **AVERTISSEMENT:** POUR ÉVITER LES BLESSURES, FAIRE ATTENTION LORS DE LA SAISIE OU SORTANT DE LA BAIGNOIRE À HYDROMASSAGE.
-  **AVERTISSEMENT:** RISQUE DE BLESSURES ACCIDENTELLES OU LA NOYADE! NE PAS UTILISER DES MÉDICAMENTS OU D'ALCOOL AVANT OU PENDANT LE UTILISATION D'UN BAIGNOIRE À HYDROMASSAGE ÉQUIPÉE D'UN CHAUFFE-TO L'INCONSCIENCE ÉVITER ET POSSIBLE NOYADE.
-  **AVERTISSEMENT:** RISQUE DE LÉSION FOETALE! ENCEINTE OU VENTUELLEMENT LES FEMMES ENCEINTES DEVRAIENT CONSULTER UN MÉDECIN AVANT UTILISATION D'UN BAIGNOIRE À HYDROMASSAGE ÉQUIPÉE UNE CHAUFFE-EAU.
-  **AVERTISSEMENT:** RISQUE D'HYPERTHERMIE ET DE NOYADE: NE PAS UTILISER UNE BAIGNOIRE À HYDROMASSAGE ÉQUIPÉE D UN FOYER JUSTE APRÈS UN EXERCICE ARDU
-  **CONSERVER CES INSTRUCTIONS .**

**Instrucciones de seguridad operacional****AVERTISSEMENT:****RISQUE D 'HYPERTHERMIE ET DE NOYADE!**

Ne pas utiliser une baignoire à hydromassage équipée d'un chauffe-immédiatement après un exercice intense.

**AVERTISSEMENT:****RISQUE DE CHOC ÉLECTRIQUE!**

- système d'hydromassage Ne faites pas fonctionner à moins que le bain est rempli d'eau à au moins 1-2 " (25-51 mm) audessus du jet le plus élevé.
- Ne pas immerger le panneau de contrôle par le débordement du bain.
- Lors du nettoyage de votre salle de bain, ne pas utiliser de substances abrasives qui peuvent endommager la surface de la baignoire.
- Pour prévenir la décoloration de la finition en acrylique, ne remplissez pas la salle de bain avec de l'eau au-delà de 140 ° F (60 ° C).

**AVERTISSEMENT:****L'IMMERSION PROLONGÉE DANS L'EAU CHAUDE PEUT PROVOQUER HYPERTHERMIE!**

L'hyperthermie survient lorsque la température interne du corps atteint un niveau de plusieurs degrés au-dessus des normales de l'organisme température de 98,6 ° F (37 ° C). Les symptômes de l'hyperthermie comprennent une augmentation de la température interne du corps, étourdissements, la léthargie, la somnolence et des évanouissements. Les effets de la hyperthermie comprennent:

- A. Non à percevoir la chaleur.
- B. Défaut de reconnaître la nécessité de sortir de la baignoire.
- C. La méconnaissance du danger imminent.
- D. dommages au fœtus chez les femmes enceintes.
- E. incapacité physique de sortir de la baignoire inconscience
- F. résultant en danger de noyade.

**ATTENTION:****RISQUE DE LÉSION FOETALE!**

Les femmes enceintes ou possiblement enceintes doivent consulter un médecin avant d'utiliser une baignoire à hydromassage équipée un appareil de chauffage.

**AVERTISSEMENT:**

Garder le corps et les cheveux un minimum de 6 " (152 mm) du raccord d'aspiration à tout moment lorsque le système d'hydromassage est en opération. Cheveux mi-longs de plus de doivent être fixés près de la tête.

**Instrucciones de seguridad operacional (suite)**

-  **AVERTISSEMENT:** La consommation d'alcool, de drogues ou médicaments peuvent augmenter considérablement le risque d'hyperthermie fatale. Les personnes sous médicaments ou qui sont en observation médicale doivent consulter un médecin avant d'utiliser une baignoire à hydromassage équipée d'un chauffe.
-  **AVERTISSEMENT:** Ne pas jouer avec les contrôles utilisateur-exploités ou de tels dispositifs.
-  **AVERTISSEMENT:** Utiliser cet appareil uniquement pour son usage prévu, comme décrit dans le présent manuel. N'utilisez pas d'accessoires non recommandés par le fabricant.
-  **AVERTISSEMENT:** Pour éviter les blessures faire preuve de prudence, à l'entrée ou la sortie de la baignoire à hydromassage.
-  **AVERTISSEMENT:** Ne pas utiliser baignoire à hydromassage à moins que tous les gardes d'aspiration sont installés pour empêcher le corps et les cheveux et le piégeage. Jamais fonctionner le bain hydromassant, si le couvercle d'aspiration est cassé, endommagé ou manquant.
-  **AVERTISSEMENT:** Température de l'eau au-delà de 104 ° F (40 ° C) peut être préjudiciable pour votre santé. Vérifier et ajuster la température de l'eau avant utilisation.
-  **MISE EN GARDE:** Lisez les instructions complètes fournies dans ce manuel avant de commencer l'installation.
-  **IMPORTANT:** Read the complete instructions provided in this manual before beginning installation.
-  **IMPORTANT:** Pour un fonctionnement optimal, le niveau d'eau doit rester à 1 " à 2 " (25mm à 50mm) au-dessus du jet le plus élevé, ne pas utiliser à base d'huile additifs baignoire dans votre baignoire à hydromassage.

La Société a obtenu le code en vigueur (normes) Inscriptions généralement disponibles sur une base nationale pour les produits de ce type. Il est de la responsabilité des installateur / propriétaire afin de déterminer la conformité aux codes locaux spécifiques avant l'installation du produit. La Société ne fait aucune représentation ou garantie concernant, et ne sera pas responsable de tout respect du code. Les spécifications des produits sont soumis à changement sans préavis.

## Introduction

L'évacuation/le trop-plein de la baignoire se prolonge sous le fond de la baignoire. Veuillez noter que cela nécessite une forme découpée dans le plancher.

**La structure du plancher sous la baignoire doit être capable de soutenir le poids total de la baignoire, de l'eau et du baigneur. Reportez-vous au tableau pour obtenir le poids total de votre modèle.**

L'unité doit être soutenue par le dessous de la baignoire et non par le rebord de la baignoire ou la bride de carrelage. Si le sous-plancher est une surface continue de niveau, aucune autre préparation n'est requise. Vous pouvez passer à l'installation de la baignoire. Si le sous-plancher n'est pas au niveau, vous DEVEZ niveler la surface au complet avant d'installer la baignoire. L'utilisation de matériaux qui nivellent ou qui fournissent une installation de niveau est permise à condition que la méthode utilisée assure une baignoire de niveau soutenue par le fond. Les matériaux pouvant être utilisés sont du composé de nivellement à plancher, du mortier, du plâtre ou de la mousse structurale à expansion minimale ayant une densité d'au moins 80 kg/m<sup>3</sup>; cependant, la baignoire doit demeurer de niveau afin qu'elle s'évacue correctement et tous les pieds en mousse doivent être en contact avec le matériau de nivellement. Les deux côtés d'un joint ou d'une épissure d'un sous-plancher doivent être au même niveau. Lors de la fixation d'une baignoire à un poteau mural avec des brides, utilisez des cales pour remplir tout espace entre la bride de la baignoire et le poteau mural.

Le rebord de la baignoire n'est pas conçu pour soutenir du poids. Si le matériau de finition doit chevaucher ou entrer en contact avec la baignoire, le poids supplémentaire doit être entièrement autonome.

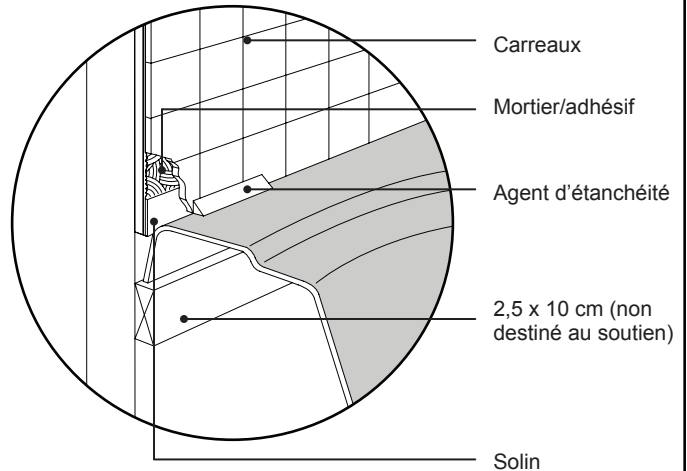


Si une jupe sera utilisée, elle doit être installée au moment de l'installation de l'unité - reportez-vous aux directives d'installation de la jupe. Installez les pièces de garniture en option lorsque l'installation est terminée.

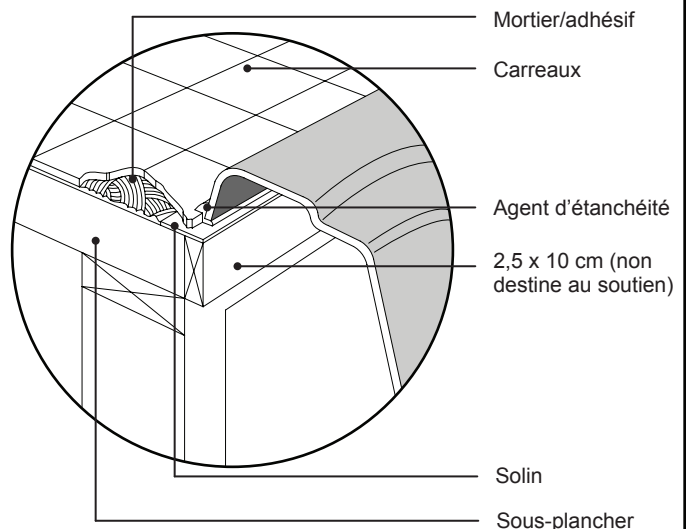


Sur les modèles Riva™ 5 et Riva™ 6, la plomberie d'évacuation se prolonge légèrement au-delà du rebord de la baignoire. Lorsque vous installez la baignoire à moitié enfoncée, abaissez d'abord le côté du bloc pompe/moteur dans la forme découpée.

### À ÉGALITÉ AVEC LE MUR



### À MOITIÉ ENFONCÉE



### TROUSSE POUR BRIDE À CARREAUX EN OPTION

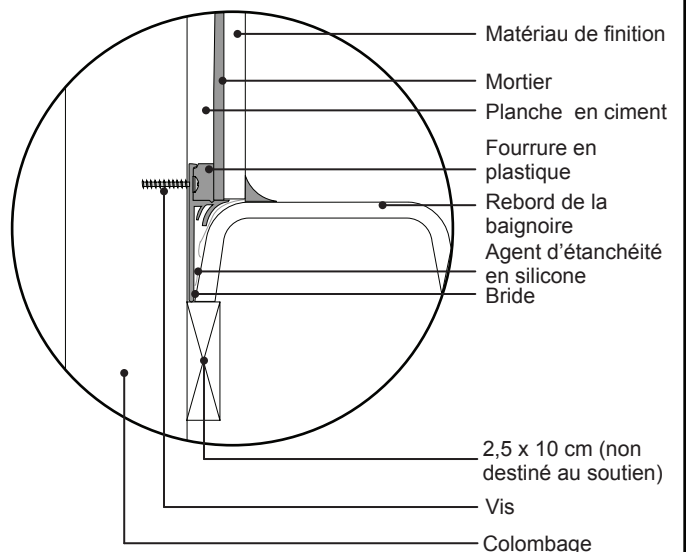


Figure 45



### Détails d'un montage à bride typique

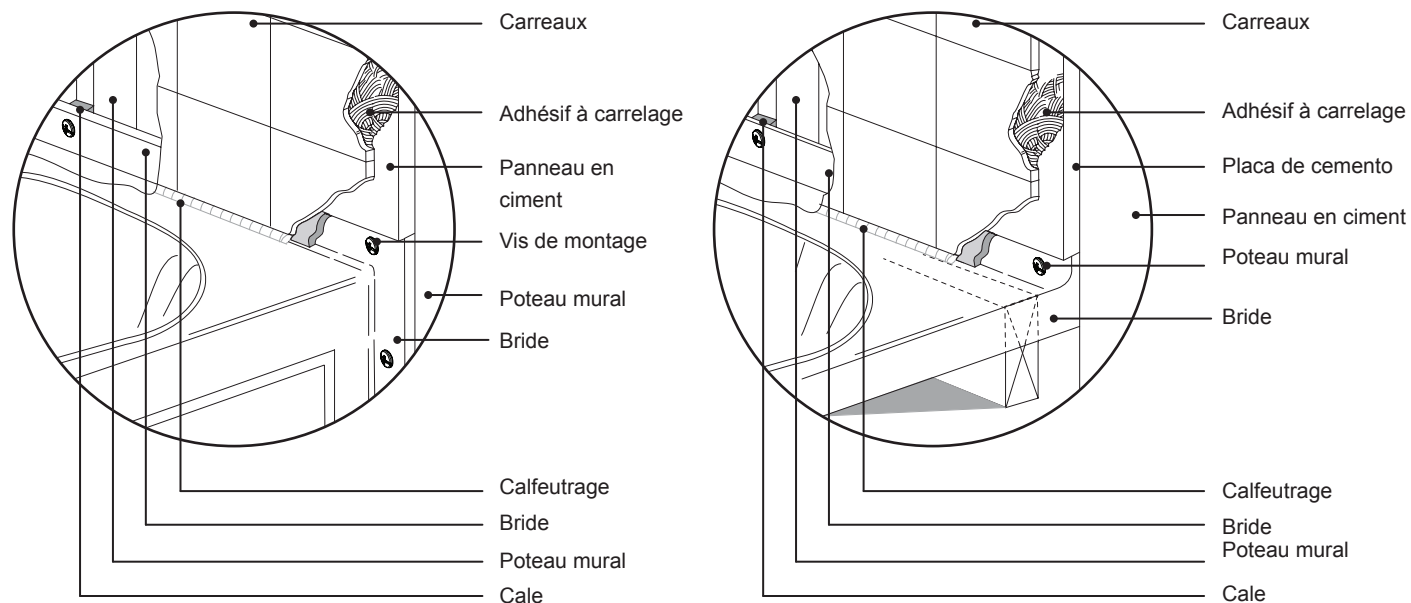


Figure 46

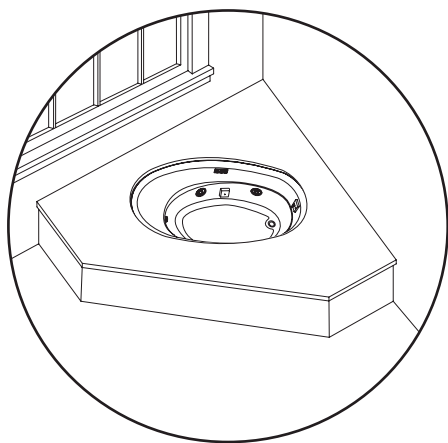


Les cales peuvent être utilisées pour réduire ou éliminer tout espace restant entre la bride et le poteau mural.

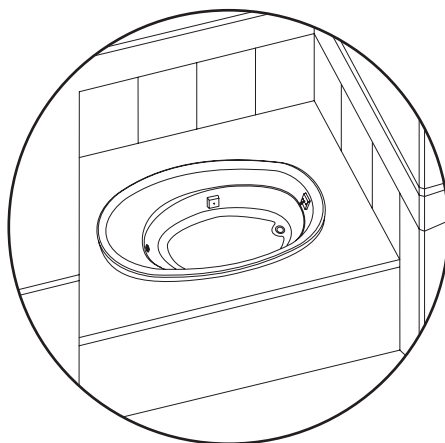
### Options d'installation en dessous



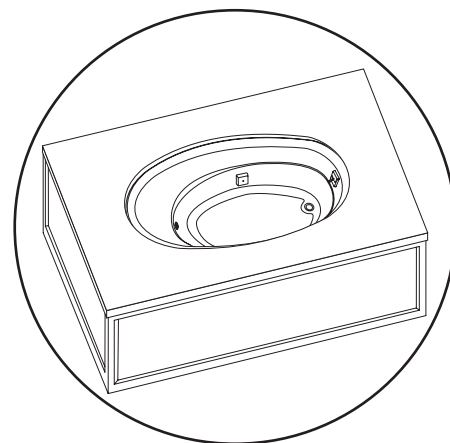
Le montage en dessous offre une certaine souplesse dans la conception et l'emplacement de la baignoire. Des exemples d'installations possibles sont illustrés. Reportez-vous à la section « Installation en dessous ».



COIN



NICHE



AUTONOME

Figure 47

## Inspection et essai

### Inspection visuelle

- 1 Retirez la baignoire de la boîte d'expédition. Faites attention de ne pas égratigner la surface de la baignoire sur les agrafes exposées. Retirez les agrafes ou pliez-les sur la boîte. Conservez la boîte jusqu'à ce que vous ayez effectué une inspection satisfaisante du produit. Ne soulevez jamais la baignoire par la plomberie; manipulez-la par la coquille seulement.
- 2 Examinez la coquille et les composants de la baignoire. Si l'inspection révèle des dommages ou des défauts dans le fini ou des dommages visibles à l'un ou l'autre des composants, n'installez pas la baignoire. Les dommages ou les défauts au fini réclamés après l'installation de la baignoire sont exclus de la garantie. La responsabilité de Jacuzzi Luxury Bath quant aux dommages causés par l'expédition prend fin au moment de la livraison au transporteur de produits en bon état.
- 3 Communiquez avec le transporteur pour toute réclamation pour des dommages. Pour obtenir des détails sur la couverture et les limites de la garantie, reportez-vous aux renseignements sur la garantie publiés et emballés avec le produit ou à ceux qui se trouvent à la fin de ce manuel.

### Essai d'eau et de fonctionnement de la baignoire

Toutes les baignoires sont testées en usine avant d'être expédiées pour assurer leur fonctionnement adéquat et l'étanchéité des connexions. Cependant, l'unité doit être testée à nouveau par l'installateur avant l'installation. Jacuzzi Luxury Bath n'est pas responsable des défauts qui auraient pu être découverts, réparés ou évités en effectuant cette inspection et procédure d'essai :

- 1 Placez la baignoire sur une surface de niveau près d'une alimentation électrique appropriée, d'une alimentation en eau et d'une évacuation d'eau. Une voie d'accès pour autos est un bon endroit.
- 2 Scellez le trou d'évacuation et de trop-plein avec du ruban ou un bouchon et remplissez la baignoire jusqu'à la partie inférieure du trou de trop-plein.
- 3 Laissez la baignoire reposer pendant cinq minutes.
- 4 Branchez le bloc pompe/moteur et mettez l'unité en marche. Confirmez que toutes les caractéristiques fonctionnent selon leur description dans la section Utilisation de ce manuel. N'installez pas la baignoire si elle ne fonctionne pas correctement.
- 5 Examinez tous les joints pour vous assurer qu'ils ne fuient pas. N'installez pas la baignoire si vous découvrez des fuites.
- 6 Remettez la baignoire dans la boîte ou protégez-la des dommages jusqu'au moment de l'installation.

## Cadrage et soutien

Un manuel de spécifications techniques est offert avec votre baignoire. Le manuel de spécifications techniques comprend des renseignements utiles concernant votre produit Jacuzzi Luxury Bath. Localisez le manuel de spécifications techniques.

Encadrez l'espace où sera installée la baignoire. Considérez les éléments suivants lors de la préparation de la zone :

- Les dimensions fournies sur les diagrammes de disposition des tuyaux sont nominales. Mesurez votre unité dès sa réception et effectuez le cadre en fonction des dimensions réelles.
- La structure du plancher sous la baignoire doit être capable de soutenir le poids total de la baignoire, de l'eau et du baigneur.
- L'unité doit être soutenue par le dessous de la baignoire et non par le rebord de la baignoire. Pour les installations par le dessus, n'oubliez pas l'épaisseur du matériau en périphérie et du matériau de finition (marbre, carreaux, etc.).
- Assurez-vous que le rebord s'appuiera sur une surface de niveau.
- En vertu du code, vous devez fournir un accès vers le bloc pompe/moteur de votre modèle précis. Des emplacements d'accès de service principaux et secondaires sont illustrés dans les diagrammes de disposition des tuyaux se trouvant dans le manuel de spécifications techniques. La figure 1 indique les emplacements d'accès commun.



L'installateur, l'entrepreneur ou le propriétaire doivent fournir un accès pour le service. Jacuzzi n'est pas responsable des frais encourus pour obtenir l'accès en cas de réparation. Le propriétaire sera responsable de tels frais et, le cas échéant, doit alors demander un recouvrement à l'installateur.

- Prévoyez une ventilation adéquate pour le refroidissement et fournissez suffisamment d'air pour le bloc pompe/moteur. N'isolez pas autour de l'équipement.
- Votre baignoire peut avoir des pièces du bloc pompe/moteur qui se prolongent au-delà du rebord de la baignoire. Reportez-vous aux diagrammes de disposition des tuyaux dans la trousse de garantie et effectuez le cadrage correctement en conséquence.

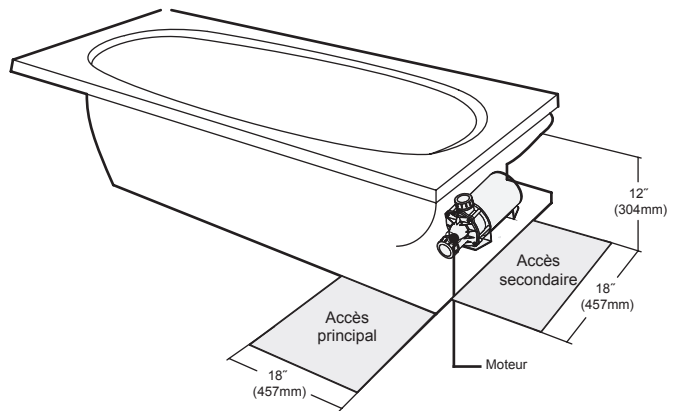
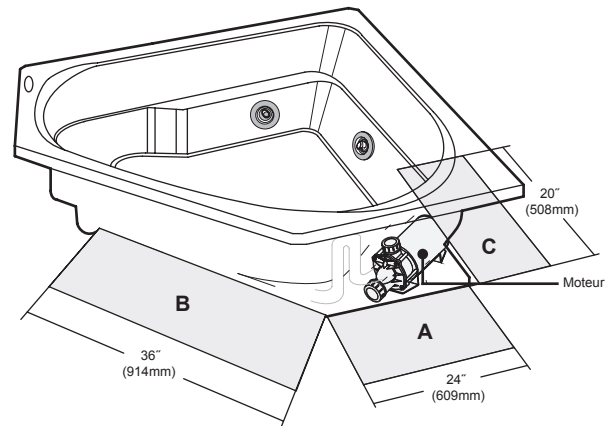


Figure 48



- A** = accès principal
- B** = variante acceptable si l'accès **A** n'est pas possible
- C** = accès secondaire pour l'équipement (en option)



L'accès à une unité gauche se trouve du côté opposé (miroir)..

Figure 49

## Sous-plancher

Préparez le sous-plancher pour l'évacuation et assurez-vous que la zone est de niveau.

- 1 L'évacuation/le trop-plein de la baignoire se prolonge sous le fond de la baignoire. Dans le manuel de spécifications techniques, identifiez le dessin qui correspond à votre baignoire.
- 2 Effectuez les coupes appropriées dans le sous-plancher pour accommoder l'évacuation.
- 3 La base Tru-Level™ de Jacuzzi est une caractéristique standard sur toutes les baignoires. Si le sous-plancher est une surface continue de niveau, aucune autre préparation n'est requise. Procédez à la section « Installation ».
- 4 Si le sous-plancher n'est pas au niveau, vous devez niveler la surface au complet avant d'installer la baignoire. Les matériaux utilisés permettront de vous assurer que la baignoire est soutenue par le fond. Ces matériaux sont : composé de nivellement, mortier, plâtre ou mousse structurale à expansion minimale (avec une densité d'au moins 80 kg/m³). La baignoire doit demeurer de niveau afin qu'elle s'évacue correctement et elle doit être en contact avec le matériau de nivellement. Les deux côtés d'un joint ou d'une épaisseur d'un sous-plancher doivent être au même niveau.

## Connexions électriques



Risque de décharge électrique. Reliez seulement à un circuit protégé par un disjoncteur de fuite de terre.



Des précautions de base doivent toujours être prises lorsque vous utilisez des appareils électriques :

- respectez toujours les codes locaux d'électricité et de construction;
- la mise à la terre est requise. L'unité doit être installée et mise à la terre par un électricien qualifié.

Un circuit séparé de 120 volts CA, 15 ampères avec disjoncteur de fuite de terre est requis pour chauffage et le bloc pompe/moteur.



Risque de surchauffe des composants. N'utilisez pas de cordon de rallonge électrique pour alimenter cette unité.



Le fonctionnement du bloc pompe/moteur sans une quantité suffisante d'eau dans la baignoire peut causer des fuites et des dommages permanents.

## Pompe/moteur

Les informations fournies ci-dessous est applicable à toutes les unités de luxe Jacuzzi Bath.



Las prises électrique doit être monté 4" (101 mm) au-dessus la ligne de plancher, ou conformément aux codes de construction locaux et électriques.

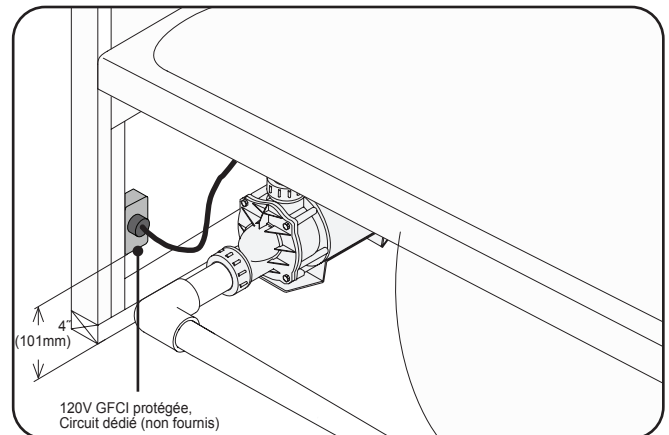
### Pompe / Moteur



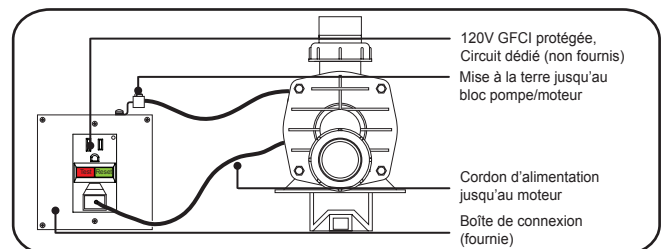
Sur les unités de coin qui suit (Capella 55 avec jupe intégrée, Capella 60 avec jupe intégrée et Tara avec jupe intégrée), une boîte de jonction a été fourni. Pour y accéder, enlever le panneau d'accès jupe. Voir des vues de dessus de Rough-Dans la section pour la localité.

Une prise séparée protégée par un disjoncteur de fuite de terre (non fournie) est requise pour le bloc pompe/moteur et doit être installée dans la boîte de connexion. La boîte de connexion doit être câblée. Le moteur est mis à la terre à la boîte de connexion à l'usine.

- La pompe / moteur et chauffage nécessite un dédié 120 VAC, 15 AMP GFCI circuit protégé. La prise électrique n'est pas fourni.
- Pattes de liaison sont prévus sur le chauffe-moteur et de satisfaire les codes électriques locaux.
- Au premier démarrage d'unités, GFCI vérifier le bon fonctionnement. Suivez les instructions du fabricant sur l'utilisation appropriée.



Pompe / Moteur



Pompe / Moteur (Corner unités)

Capella 55 avec jupe, Capella 60 avec jupe, Tara avec jupe – boîte de connexion


Figure 50



Si les unités de fuite à la terre un signe de dysfonctionnement, les instructions du fabricant, Couper le courant et ne pas utiliser la baignoire jusqu'à ce que la source du problème a été identifié et corrigé par un électricien agréé.

### Illustrations de référence

 Ces illustrations ne sont offertes qu'à titre de référence puisque l'unité est vendue entièrement assemblée.

 Risque de choc électrique. Avant de réparer l'appareil, débranchez tous les câbles d'alimentation à tous les services de 120VAC.

#### Diagramme schématique du panneau de commande J2

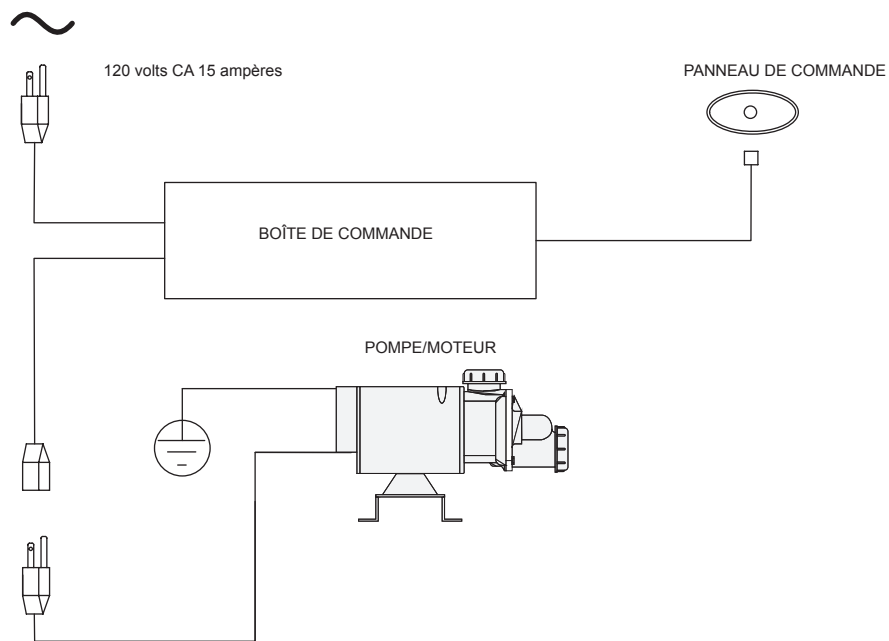


Figure 51


## Installation par le dessus

 Avant de commencer l'installation, veuillez lire ce qui suit :


- Respectez tous les codes locaux et de construction.
- Déterminez les outils qui seront utilisés pendant l'installation.
- D'autres pièces de plomberie et d'évacuation de la baignoire sont offertes sur le marché dans des quincailleries et des magasins de fourniture de plomberie.
- Les renseignements sur la disposition des tuyaux d'évacuation/du trop-plein sont compris avec votre baignoire et se trouvent dans le manuel des spécifications techniques.


Terminez l'installation de la périphérie de la baignoire.

**1** Installez l'évacuation/trop-plein conformément aux directives du fabricant. Reportez-vous aussi au manuel de spécifications techniques.


 L'installateur est responsable de l'étanchéité de l'installation de l'évacuation. Toute fuite de l'évacuation est exclue de la garantie Jacuzzi Luxury Bath de ce produit.

**2** Installez maintenant le robinet. Nous recommandons de faire installer le robinet par un plombier qualifié.

 L'installateur est responsable de l'installation adéquate du bec de plomberie et de la conformité aux codes locaux. Jacuzzi Luxury Bath ne garantit pas les connexions des conduites et des raccords d'alimentation en eau, les systèmes de remplissage ou les systèmes d'évacuation/de trop-plein. Elle n'est également pas responsable des dommages à la baignoire qui pourraient survenir pendant l'installation.


 Une barrière protectrice ininflammable doit être placée entre le travail de soudure et la baignoire pour éviter d'endommager cette dernière.

**3** Préparez le trou de la baignoire en utilisant le gabarit pleine grandeur fourni ou les dimensions de coupe indiquées dans le tableau de spécifications du manuel de spécifications techniques.

 Le gabarit peut indiquer des guides pour plus d'une baignoire; assurez-vous alors de sélectionner les lignes de guidage appropriées. Si le montage par en dessous est une option, sélectionnez soigneusement les lignes qui s'appliquent à l'installation que vous effectuez.

**4** Terminez tout le travail du support et couvrez-le pour éviter de l'endommager lorsque vous placerez la baignoire.

**5** Vous pouvez installer un matériau isolant à l'intérieur de la périphérie de la baignoire.

 Prévoyez une ventilation adéquate autour du ventilateur et du bloc pompe/moteur pour obtenir un débit d'air suffisant et assurer le refroidissement.

**6** Coupez l'alimentation des circuits spécialisés protégés par un disjoncteur détecteur de fuite de terre.

**7** Placez un morceau de retailles de bois sur chaque extrémité de la forme découpée – ils serviront de support temporaire avant d'abaisser la baignoire complètement dans l'ouverture.

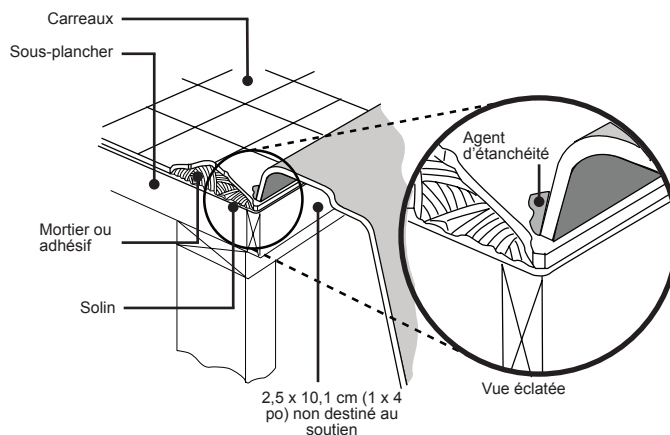


Figure 52

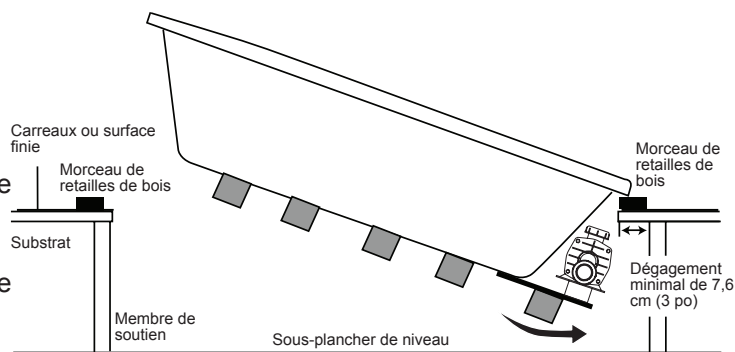



Figure 53

### Installation par le dessus (suite)

- 8** Installez l'unité en insérant l'extrémité du bloc pompe/moteur en premier, en abaissant la baignoire dans l'ouverture, comme dans l'illustration.
-  **N'UTILISEZ PAS** les accessoires de plomberie ou les conduites pour abaisser l'unité. Laissez la baignoire s'appuyer sur les supports.
- 9** Examinez tous les raccords, la plomberie et les conduites après l'insertion de la baignoire pour vous assurer que les composants ne sont pas endommagés, débranchés ou en contact avec le substrat de la surface finie ou les membres de soutien.
- 10** Reliez les conduites flexibles d'alimentation en eau au robinet et branchez les cordons d'alimentation dans les prises à disjoncteur de fuite de terre.
- 11** Retirez les morceaux de retailles de bois et abaissez la baignoire complètement dans l'ouverture.
- 12** Alignez la baignoire et reliez l'évacuation.
- 13** Appliquez l'alimentation aux circuits spécialisés protégés par un disjoncteur de fuite de terre et vérifiez le fonctionnement du système.
- 14** Calfeutrez autour du périmètre de la baignoire pour sceller l'espace entre le rebord et le support fini (figure 8 à la page précédente).

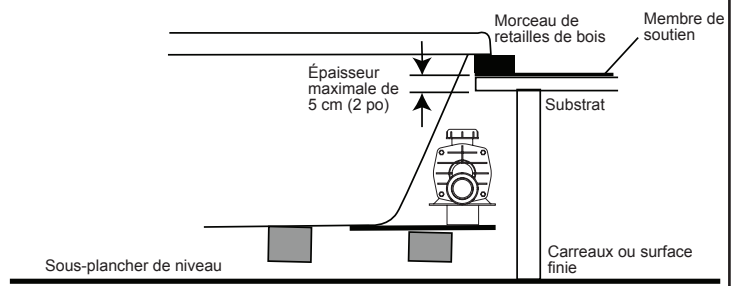


Figure 54

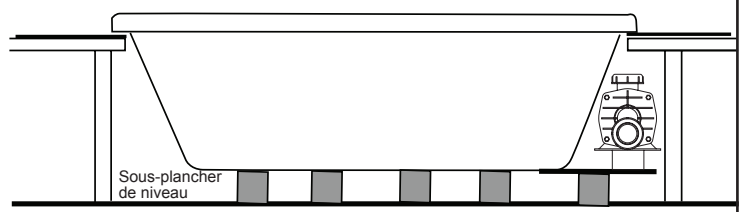


Figure 55

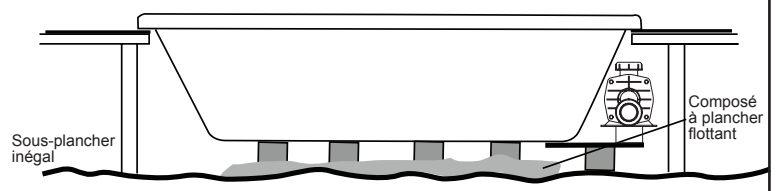



Figure 56

## Installation dans une alcôve à trois murs

- 1 Installez l'évacuation/le trop-plein conformément aux directives du fabricant. Reportez-vous aussi au manuel de spécifications techniques.
- 2  L'installateur est responsable de l'étanchéité de l'installation de l'évacuation. Toute fuite de l'évacuation est exclue de la garantie Jacuzzi Luxury Bath de ce produit.
- 3 Installez maintenant le robinet. Nous recommandons de faire installer le robinet par un plombier qualifié.
- 4 Installez la bride (achetée séparément) conformément aux directives qui sont comprises avec la trousse. Si la baignoire est munie d'une bride intégrée, sautez cette étape.
- 5 Placez la baignoire dans la niche. Vissez la bride sur le montant en bois. Il pourra s'avérer nécessaire de compenser l'unité pour combler tout espace entre le montant en bois et la bride.
- 6 Vous pouvez installer un matériau isolant à l'intérieur de la périphérie de la baignoire.
- 7 Coupez l'alimentation du circuit protégé par un disjoncteur de fuite de terre.
- 8 Alignez la baignoire et reliez l'évacuation.
- 9 Reliez les conduites flexibles d'alimentation en eau au robinet et branchez les cordons d'alimentation dans la prise du disjoncteur de fuite de terre.
- 10 Examinez tous les raccords, la plomberie et les conduites après l'insertion de la baignoire pour vous assurer que les composants ne sont pas endommagés, débranchés ou en contact avec le substrat de la surface finie ou les membres de soutien.
- 11 Appliquez l'alimentation aux circuits spécialisés protégés par un disjoncteur de fuite de terre et vérifiez le fonctionnement du système.
- 12 Calfeutrez tout le travail terminé autour du périmètre de la baignoire pour sceller l'espace entre le rebord et le support fini.

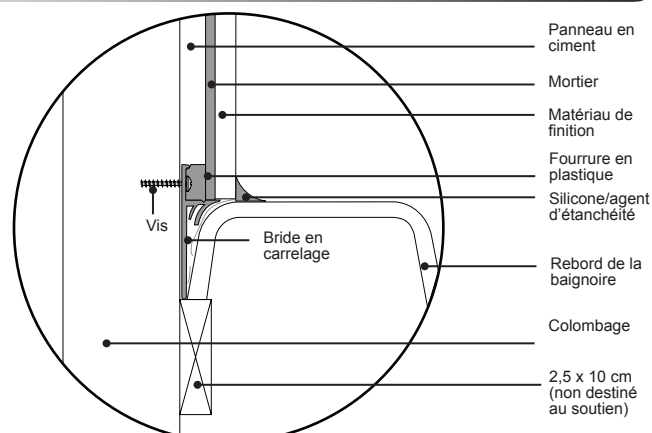


Figure 57

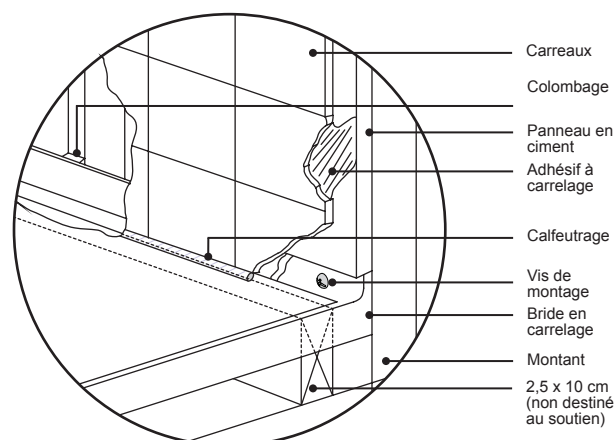



Figure 58

## Installation de la jupe

### Baignoires avec jupe intégrée

- 1 Vissez les brides de jupe dans les poteaux muraux.
- 2  Il pourra s'avérer nécessaire de compenser l'unité pour combler tout espace entre les poteaux muraux et les brides.
- 3 Terminez le travail sur la bride de la jupe.
- 4 Calfeutrez autour du périmètre de la jupe pour sceller l'espace entre la jupe et le support fini.

### Baignoires avec jupe en option

Si vous installez une jupe intégrée, veuillez vous reporter au guide d'installation de la jupe avant de continuer. Terminez l'installation et les étapes d'assemblage conformément au guide d'installation de la jupe.

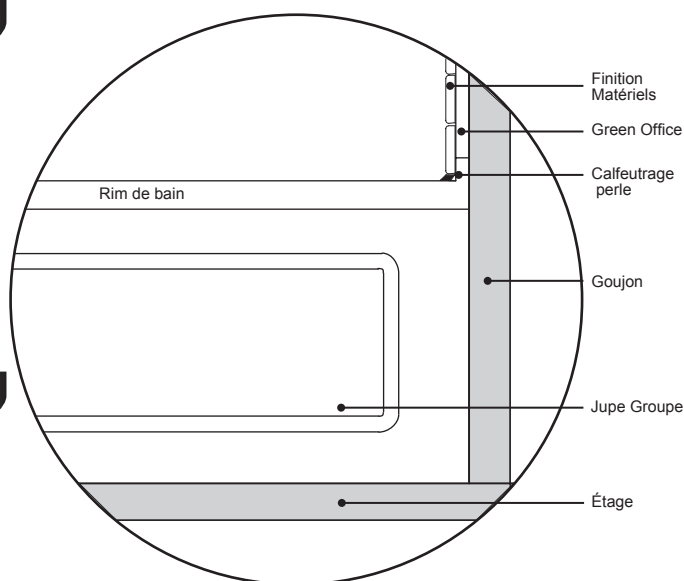


Figure 59



## Installation en dessous

- 1 Installez l'évacuation/le trop-plein conformément aux directives du fabricant.
- ⚠ L'installateur est responsable de l'étanchéité de l'installation de l'évacuation. Toute fuite de l'évacuation est exclue de la garantie Jacuzzi Luxury Bath de ce produit.
- 2 Coupez l'alimentation des circuits spécialisés protégés par un disjoncteur de fuite de terre.
- 3 Installez l'unité à l'endroit désiré. **N'UTILISEZ PAS** les accessoires de plomberie ou les conduites pour transporter ou abaisser l'unité.
- 4 Inspectez tous les raccords, la plomberie et les conduites de commande après. l'insertion pour s'assurer que les composants ne sont pas endommagés ou débranchés.
- 5 Alignez la baignoire et reliez l'évacuation.
- 6 Vous pouvez installer un matériau isolant à l'intérieur de la périphérie de la baignoire.
- ⚠ Prévoyez une ventilation adéquate autour du ventilateur et du bloc pompe/moteur pour obtenir un débit d'air suffisant et assurer le refroidissement.
- 7 Coupez le support/comptoir selon les dimensions au moyen du gabarit du montage en dessous fourni comme suit :
  - Placez le gabarit de manière à ce que les lignes du montage en dessous désiré soient alignées avec le rebord comme dans l'illustration.
  - Au moyen d'un crayon gras, marquez les lignes centrales (notées sur le gabarit). Retirez le gabarit.
  - Mesurez la distance du mur ou d'un autre point fixe jusqu'aux lignes centrales.
- 8 Fixez le comptoir à la baignoire. Nettoyez la saleté ou les débris de la partie supérieure du rebord de la baignoire. Appliquez un boudin d'agent d'étanchéité en silicone autour du rebord complet de la baignoire.
- ⚠ N'utilisez pas un adhésif ou un agent d'étanchéité adhésif pour fixer le comptoir à la baignoire. Si de l'entretien ou une rénovation sont requis, le comptoir pourra devoir être enlevé. L'adhésif liera le comptoir à la baignoire de façon permanente. Placez soigneusement le support/comptoir sur la baignoire. Suivez les directives du fabricant pour déterminer le temps de séchage.
- 9 Appliquez un boudin d'agent d'étanchéité en silicone continu autour de tout le joint entre le comptoir et le rebord de la baignoire. Laissez l'agent d'étanchéité sécher conformément aux directives du fabricant.
- 10 Appliquez l'alimentation aux circuits spécialisés protégés par un disjoncteur de fuite de terre et vérifiez le fonctionnement du système.

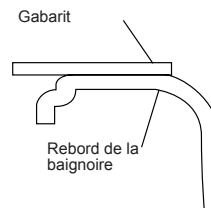


Figure 60

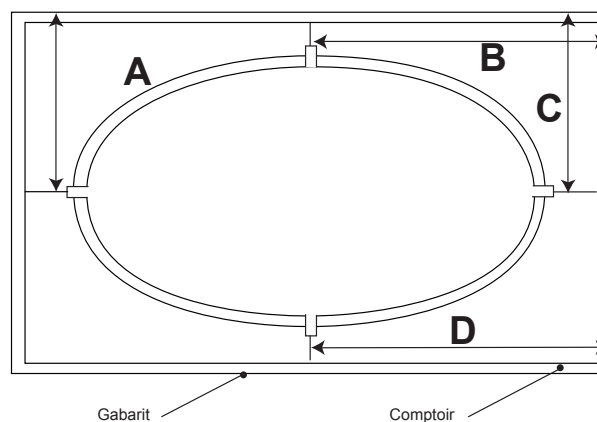


Figure 61

## Nettoyage

Pour éviter de dépolir et d'égratigner la surface de la baignoire, n'utilisez jamais des nettoyants abrasifs. Pour la plupart des surfaces sales, un détergent liquide doux et de l'eau tempérée suffisent. Nous effectuons aussi les recommandations suivantes :

- Retirez le plâtre renversé au moyen d'une lame en bois ou en plastique. Les taches laissées par le plâtre ou le coulis peuvent être éliminées en les frottant légèrement avec un détergent versé sur un chiffon ou une éponge humide. N'utilisez pas des grattoirs en métal, des brosses métalliques ou d'autres outils en métal puisqu'ils endommageront la surface de la baignoire.
- La peinture, le goudron et les autres taches rebelles peuvent être éliminées avec du Fantastik® ou de l'eau savonneuse.
- Les égratignures mineures qui ne pénètrent pas le fini en couleur peuvent être éliminées en ponçant légèrement avec un papier de verre mouillé/sec de 600 grains. Vous pouvez restaurer le fini brillant de la surface acrylique de la baignoire au moyen d'un composé spécial appelé Meguiar's #10 Mirror Glaze. Si ce produit n'est pas disponible, utilisez une pâte à polir automobile suivie de l'application d'une cire automobile en pâte.
- Les égratignures et les rainures majeures qui pénètrent la surface acrylique devront être finies à nouveau. Communiquez avec Jacuzzi Luxury Bath pour trouver un agent de service dans votre région.

## Renseignements généraux sur l'utilisation

Toutes les baignoires fabriquées par Jacuzzi Luxury Bath sont conçues pour « remplissage et évacuation », ce qui signifie que la baignoire doit être vidée après chaque utilisation et remplie d'eau fraîche par le baigneur suivant. Il s'agit d'une précaution de santé puisque ces baignoires ne sont pas conçues pour conserver de l'eau continuellement comme les piscines ou les spas.

Fermez l'évacuation et remplissez la baignoire jusqu'à ce que l'eau soit à au moins 2,5 à 5 cm (1 à 2 po) au-dessus du jet le plus élevé (reportez-vous à la ligne d'eau indiquée dans l'illustration). Ne mettez pas le système de la baignoire de massage en marche si les jets ne sont pas complètement immergés dans l'eau. Faire fonctionner le système de la baignoire de massage lorsqu'il n'y a pas assez d'eau peut entraîner la pulvérisation de l'eau à l'extérieur de la baignoire. Le fonctionnement du système de la baignoire de massage sans une quantité suffisante d'eau endommagera la pompe de recirculation.



Lorsque vous sortez de la baignoire, le niveau d'eau s'abaissera sous les jets ce qui pourrait entraîner la pulvérisation de l'eau à l'extérieur de la baignoire. Pour empêcher cette pulvérisation, vous devez éteindre l'unité avant de sortir de la baignoire.

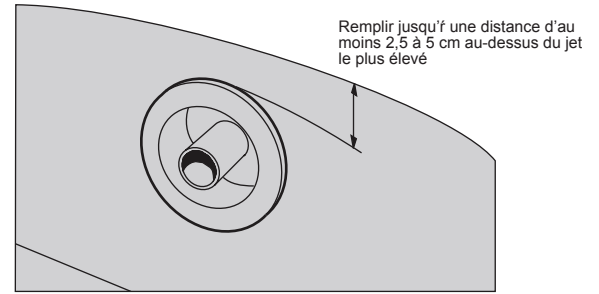


Figure 61

## Fonctionnement de la baignoire de massage

**EN MARCHE** : appuyez une fois sur le bouton pour mettre les jets de la baignoire de massage **EN MARCHE**.

**ÉTEINT** : appuyez sur le bouton une seconde fois pour **ÉTEINDRE** les jets de la baignoire de massage.

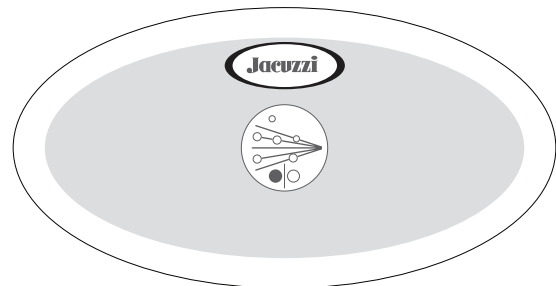


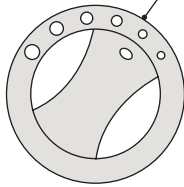
Figure 63

## Débit d'air (si disponible)

**Tournez le cadran du robinet d'air gauche pour activer les robinets d'air gauches. Tournez le cadran du robinet d'air droit pour activer les robinets d'air droits.**

La quantité d'air induite dans les jets de la baignoire de massage peut être contrôlée de maximum à aucune.

Tournez le cadran dans le sens horaire pour réduire le débit d'air



Tournez le cadran dans le sens antihoraire pour augmenter le débit d'air

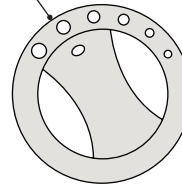
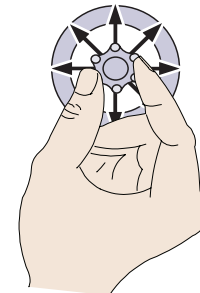


Figure 64

## Contrôle de la direction et du débit de la baignoire de massage

### Direction:

La direction de tous les jets Jacuzzi, à l'exception des jets rotatifs pour le cou, peut être réglée. Pour modifier la direction du débit d'eau, pivotez la buse du jet jusqu'à l'angle désiré. Les jets peuvent être dirigés individuellement vers tout endroit de votre corps pour vous procurer un hydromassage. Les jets peuvent aussi être réglés de manière à ce qu'ils soient dirigés dans la même direction (sens horaire ou antihoraire) pour faire circuler l'eau d'un mouvement circulaire autour de la baignoire et obtenir un effet à tourbillon complet.



Jets à plusieurs directions

### Force de l'eau :

Le débit de la plupart des jets Jacuzzi peut être ajusté. Pour une action robuste, augmentez la force du débit en tournant la buse, ou façade, vers la gauche (sens antihoraire). Pour un effet plus doux, ou pour fermer le jet, tournez la buse, ou façade, vers la droite (sens horaire).

Fermer un ou plusieurs jets peut augmenter la force de l'eau dans le reste des jets. .

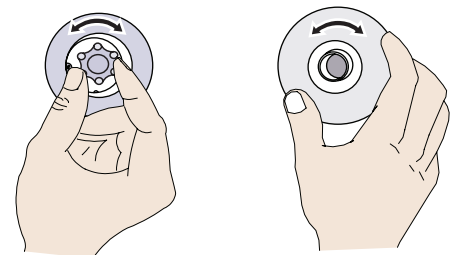



Figure 65

 La force de l'eau des jets rotatifs pour le cou et de certains jets AccuPro™ ne peut pas être réglée.

 Ne faites jamais fonctionner le système de la baignoire de massage lorsque tous les jets sont fermés.

## Vidange du système de la baignoire de massage

Pour éliminer les accumulations de résidus de la baignoire du système de la baignoire de massage, nous vous recommandons de nettoyer votre baignoire de massage au moins deux fois par mois. Pour obtenir de meilleurs résultats, nous vous recommandons de nettoyer votre baignoire de massage après chaque utilisation en utilisant Systems Clean™ notre nettoyant pour plomberie en deux parties exclusif conçu spécialement pour les baignoires de massage. Systems Clean™ est offert par les distributeurs de baignoires de massage Jacuzzi autorisés ou en composant directement le 1-800-288-4002.

## Additifs pour baignoire



N'utilisez pas des additifs pour baignoire à l'huile ou à base d'huile.

Si vous désirez utiliser un additif pour baignoire, utilisez seulement une petite quantité de poudre ou de substance cristalline peu moussante; l'action de la baignoire de massage intensifie les propriétés moussantes des savons.

L'utilisation de certaines huiles, de bains mousseux et d'additifs pour baignoire peut augmenter le niveau d'accumulation de résidus de baignoire dans le système de la baignoire de massage et peut causer une fausse lecture des capteurs du niveau d'eau. Si une accumulation excessive persiste, vous devez cesser d'utiliser ces produits.

## Entretien

Pour nettoyer votre baignoire, utilisez simplement une solution de détergent liquide doux non abrasif. Vous pouvez protéger et restaurer le lustre d'une surface acrylique dépolie en appliquant Meguiar's #10 Mirror Glaze, un produit spécifiquement conçu pour être utilisé sur les finis en acrylique. Si le produit Meguiar n'est pas disponible, utilisez une pâte à polir automobile de haute qualité suivie de l'application d'une cire automobile en pâte.



N'utilisez jamais des nettoyants domestiques abrasifs sur aucun produit Jacuzzi Luxury Bath.


## Réparation de la surface

Les égratignures mineures qui ne pénètrent pas le fini en couleur peuvent être éliminées en ponçant légèrement avec un papier de verre mouillé/sec de 600 grains. Restaurez le lustre au moyen de Meguiar's Mirror Glaze ou d'une cire automobile en pâte. Les égratignures et les rainures majeures qui pénètrent la surface acrylique devront être finies à nouveau. Communiquez avec Jacuzzi Luxury Bath pour trouver un agent de service dans votre région.

## Entretien du couvercle/tamis d'aspiration

Retirez les cheveux et les débris du couvercle/tamis d'aspiration lorsque cela s'avère nécessaire.

- 1 Retirez la vis centrale et retirez le couvercle d'aspiration.
- 2 Nettoyez le couvercle en contre-balayant les débris des trous.
- 3 Réinstallez le couvercle d'aspiration immédiatement après le nettoyage.

 Pour le réinstaller, orientez le couvercle/tamis en plaçant la petite encoche dans le bas. Le joint doit être inséré dans la rainure du couvercle/tamis avant de réinstaller sur le raccord d'aspiration.

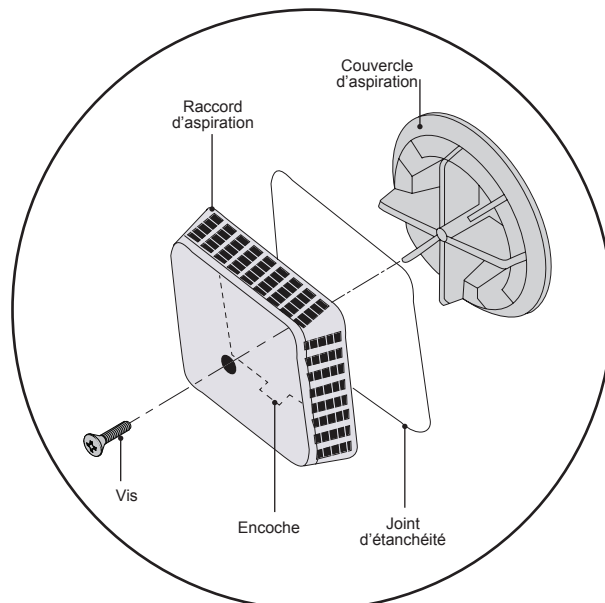





Figure 66

 Gardez les cheveux à une distance d'au moins 15 cm (6 po) du raccord d'aspiration en tout temps lorsque le système de la baignoire de massage fonctionne. Les cheveux longs (au-delà des épaules) doivent être attachés près de la tête ou encore, nous suggérons le port d'un bonnet de bain.

 Ne faites pas fonctionner le système de la baignoire de massage lorsque le couvercle/tamis d'aspiration est retiré. Il s'agit d'un dispositif de sécurité et il doit toujours être en place sur le raccord d'aspiration pour minimiser les risques de piégeage des cheveux ou du corps

## Procedimientos para la resolución de problemas

PROBLEMA	CAUSAS PROBABLES	SOLUCIÓN
Le bloc pompe/moteur ne se met pas en marche	Il n'y a pas d'alimentation vers le bloc pompe/moteur	Réinitialisez le disjoncteur de fuite de terre
	Le bloc pompe/moteur n'est pas branché	Insérez la fiche fermement dans la prise
	El motor/bomba está averiado	Comuniqese con Jacuzzi Luxury Bath al 800-288-4002
Le bloc pompe/moteur fonctionne, mais les jets entièrement réglables ne fonctionnent pas	Les jets sont fermés	Ouvrez les jets en les tournant dans le sens horaire\
	Le couvercle/tamis d'aspiration peut être obstrué	Con el motor apagado (OFF), quite la tapa protectora de succión/filtro y elimine todos los desechos. Vuelva a colocar la tapa protectora de succión antes de poner en funcionamiento
Le bloc pompe/moteur fonctionne, mais l'air n'est pas injecté dans l'eau Fuite d'eau des unions de pompe	Les robinets d'air sont fermés	Ouvrez les robinets d'air
	Trop serrés, le joint torique peut être coincé ou mal appuyé, pas assez serré	Desserrez les unions, vérifiez et appuyez le joint torique à nouveau. Si le joint torique était coincé et s'est déformé, remplacez-le (reportez-vous au numéro ci-dessous). Serrez les écrous d'union manuellement seulement.
Le bloc pompe/moteur s'éteint par lui-même avant que la période ne soit écoulée	La protection thermique du moteur a désactivé le bloc pompe/moteur à cause d'une surchauffe (faible tension d'alimentation) Le disjoncteur de fuite de terre est déclenché.	Laissez le moteur se refroidir; la protection thermique se réinitialisera. Vérifiez la ventilation (vérifiez la tension d'alimentation) Réinitialisez le disjoncteur de fuite de terre. S'il continue à se déclencher, n'utilisez pas cette unité Débranchez l'unité et faites corriger le problème par un électricien agréé avant de l'utiliser à nouveau a utilizarla
	Le disjoncteur de fuite de terre est déclenché.	Consultez un électricien agréé pour faire réparer le câblage.
L'éclairage à chromothérapie ne fonctionne pas	Le connecteur s'est desserré	Communiquez avec Jacuzzi Luxury Bath au 800-288-4002

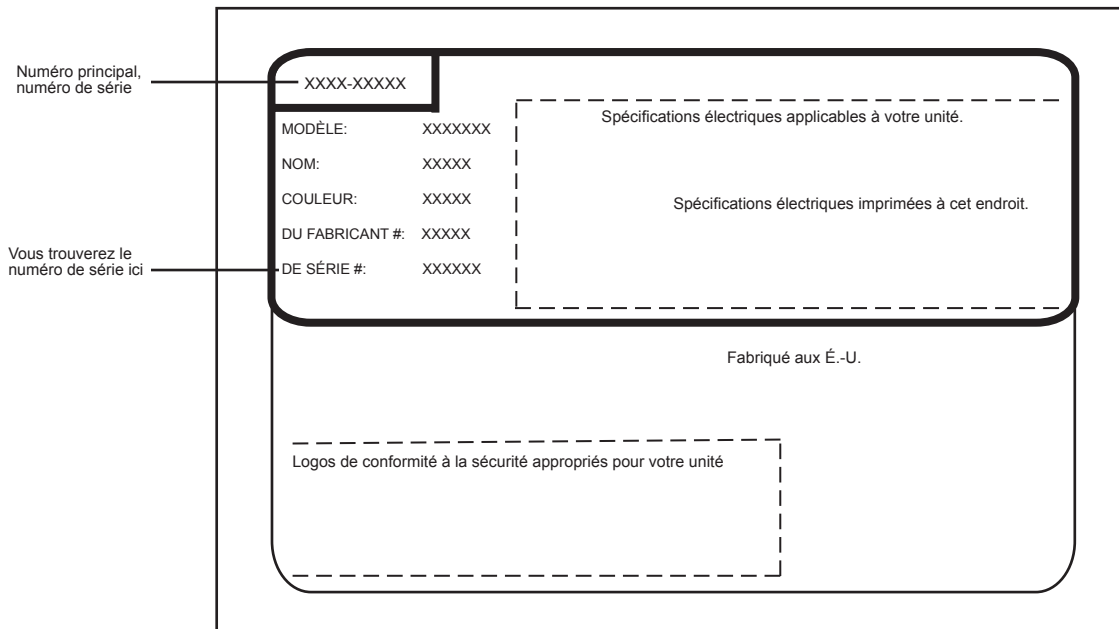
 Si l'unité est encore couverte par la garantie, communiquez avec le service technique de Jacuzzi Whirlpool Bath au 1-800-288-4002 avec le numéro de série de votre baignoire avant d'effectuer toute réparation. Le numéro de série est situé sur la plaque de spécification/numéro de série.

## Service autorisé

Si vous avez besoin d'une référence pour une entreprise de service près de chez vous ou si vous avez des questions concernant le fonctionnement ou l'entretien, veuillez communiquer avec notre service à la clientèle au 1-800-288-4002. Visitez notre site Web à <http://www.jacuzzi.com> pour les produits, les services et une copie en ligne de ces directives d'installation et d'utilisation.

Lorsque vous demandez une visite de service ou de l'aide technique, ayez le modèle et le numéro de série de votre unité à la portée de la main. Ces renseignements se trouvent sur la fiche d'enregistrement du produit fournie avec votre unité. Si la fiche a été égarée, ces renseignements se trouvent sur l'étiquette de spécifications/numéro de série située sur l'unité elle-même. Cette étiquette se trouve sur le mur de la baignoire près du moteur du ventilateur.

## ÉTIQUETTE DE SPÉCIFICATIONS/NUMÉRO DE SÉRIE



LES SPÉCIFICATIONS DU PRODUIT PEUVENT ÊTRE MODIFIÉES SANS PRÉAVIS.

UTILISEZ LE MANUEL DE SPÉCIFICATIONS TECHNIQUES FOURNI AVEC CE PRODUIT.

Jacuzzi® Luxury Bath a obtenu les classifications de code (normes) applicables habituellement offertes à l'échelle nationale pour les produits de ce type. L'installateur/le propriétaire doivent déterminer la conformité au code local précis avant d'installer le produit. Jacuzzi® Luxury Bath n'effectue aucune représentation ou garantie relatives à la conformité au code et elle ne sera pas responsable de cette dernière.

Jacuzzi® Luxury Bath

14525 Avenue Monte Vista

Chino, Californie, 91710 É.-U.

1-800-288-4002

[www.jacuzzi.com](http://www.jacuzzi.com)

# Garantie limitée à vie sur les baignoires de marque Jacuzzi Luxury pour les collections Comfort, Comfort Plus, Pure Air®, Luxury, Salon™ Spa et Pure Air® II

## COUVERTURE DE LA GARANTIE

Jacuzzi Whirlpool Bath (la « société ») offre la garantie limitée à vie expresse suivante à l'acheteur d'origine (« utilisateur ») d'une baignoire à remous Jacuzzi® offerte dans la collection Espree™ de la société ayant fait l'achat d'une baignoire pour un usage personnel ou résidentiel en maison individuelle: La société réparera ou remplacera, à sa discrétion, la baignoire ou son équipement, conformément aux termes et conditions suivants:

### GARANTIE À VIE SUR LES BAIGNOIRES

La société étend à l'utilisateur de la baignoire une garantie à vie limitée non transférable concernant l'intégrité structurelle et la configuration de la coque, ainsi que l'absence de fuites d'eau provenant d'un défaut de coque de la baignoire. Cette garantie couvre uniquement la coque de la baignoire et la pompe, les jets, les commandes et le ventilateur installés par le fabricant contre tout défaut de main d'œuvre et de fabrication. Cette garantie ne s'applique pas aux modèles d'exposition ou à toute option ou tout accessoire couverts par la garantie limitée de quatre-vingt-dix (90) jours indiquée ci-dessous.

La couverture de la garantie commence à la date d'achat d'origine de l'unité par l'utilisateur et à réception par la société de la fiche de garantie entièrement remplie, tel que décrit ci-dessous.

### GARANTIE D'UN AN SUR LA MAIN D'ŒUVRE POUR TOUS LES COMPOSANTS INSTALLÉS EN USINE:

Notre garantie limitée sur la main d'œuvre est valable pour une période d'un (1) an à partir de la date d'achat d'origine par l'utilisateur, mais ne dépassant pas deux (2) ans à partir de la date de fabrication. Tous les composants installés en usine (par exemple, la pompe, le moteur, le ventilateur et la plomberie) sont couverts par notre garantie sur la main d'œuvre contre les pannes dues à des vices de fabrication et de main d'œuvre.

### GARANTIE LIMITÉE D'1 AN (PIÈCES UNIQUEMENT) SUR LE CHAUFFAGE EN OPTION

Notre garantie limitée sur notre chauffage en option est valable pour un (1) an pour les pièces uniquement et exclut la main d'œuvre. La couverture de la garantie commence à la date d'achat du chauffage en option pour une utilisation sur les baignoires Espree uniquement.

### GARANTIE LIMITÉE DE 90 JOURS (PIÈCES UNIQUEMENT) SUR LES AUTRES OPTIONS ET ACCESSOIRES

Notre garantie couvre les options et les accessoires fabriqués pour la société mais non installés en usine (par exemple, les kits de becs de remplissage, les kits d'organes internes, les jupes, les oreillers) contre les vices de main d'œuvre et de fabrication. La couverture de la garantie commence à la date d'achat d'origine de l'option ou de l'accessoire par l'utilisateur. Ces articles peuvent être couverts par une garantie du fabricant qui peut offrir une durée de garantie plus longue que cette garantie limitée. Veuillez confirmer auprès du fabricant la durée de la garantie appropriée pour les options et les accessoires.

### LIMITES DE LA GARANTIE

Notre garantie limitée ne couvre pas les défauts, les dommages ou les pannes causés par le transporteur général, l'installateur, l'utilisateur ou d'autres personnes, les animaux domestiques ou les rongeurs, ou par les faits suivants, de manière non limitative: manipulation négligente (levage de l'unité par la plomberie, abrasant la finition, etc.), y compris notamment sa propre négligence; modification quelconque pour une raison quelconque (y compris les modifications faites pour conformité aux codes locaux); mauvaise installation (y compris installation non conforme aux instructions et aux spécifications fournies avec l'unité); connexions fournies par l'installateur de l'équipement; alimentation électrique incorrecte ou modification électrique non autorisée; utilisation incorrecte; fonctionnement incorrect, y compris entretien de routine insuffisant; fonctionnement de l'unité sans la quantité d'eau minimum spécifiée ou avec de l'eau à une température inappropriée; utilisation de nettoyeurs abrasifs ou inappropriés; catastrophes naturelles, telles que foudre, inondations, tremblements de terre, etc.

En outre, LA SOCIÉTÉ NE SERA PAS RESPONSABLE DES DOMMAGES ACCESSOIRES OU INDIRECTS, des pertes découlant de toute cause (par exemple, dégâts des eaux sur les tapis, plafonds, carrelage, marbre, perte de jouissance, etc.) y compris sa propre négligence, des dommages concernant ou résultant de: pièces galvanisées lorsque des produits chimiques pour piscine et/ou cuve thermale sont utilisés dans l'unité ou conditions d'eau dure; équipement de baignoire en option non fabriqué par la société mais fourni par le distributeur, l'installateur ou la société; utilisation antérieure de l'unité en tant que modèle de démonstration; défauts qui auraient dû être découverts avant l'installation.

Cette garantie limitée n'inclut pas: la main d'œuvre, le transport, ni les autres coûts occasionnés lors du retrait et/ou de la réinstallation de l'unité d'origine et/ou de l'installation d'une unité de rechange; les coûts liés à l'obtention d'un accès pour la réparation; les dommages dus à la perte de jouissance, y compris les pertes de nature commerciale ou les manques à gagner de toutes sortes et sous n'importe quelle circonstance. Les baignoires sont exclues de toute couverture de garantie si un ajout, un retrait ou une modification quelconque et de toute nature a été effectué sur l'unité (ou l'un de ses composants).

La couverture de garantie est fournie pour les États-Unis d'Amérique et le Canada uniquement.

### EXCLUSION DE GARANTIES IMPLICITES

LES GARANTIES IMPLICITES DE QUALITÉ MARCHANDE OU D'ADAPTATION À UN BUT PARTICULIER SONT DÉNIÉES COMPLÈTEMENT OU DANS LA PLUS GRANDE MESURE PERMISE PAR LA LOI.

AVIS: Cette garantie octroie des droits spécifiques et d'autres droits pouvant varier d'un état ou province à l'autre peuvent également exister. Il n'existe pas de garanties applicables aux produits de Jacuzzi Whirlpool Bath autres que celles expressément déclarées dans ce document et découlant des lois fédérales et des États. La société ne sera pas responsable des déclarations et des représentations faites sous toute forme, s'étendant au-delà, dépassant ou étant inconsistantes avec la documentation autorisée et les spécifications fournies par la société.

Certains États ne permettant pas de limitations de durée sur les garanties implicites, ou l'exclusion et la limitation des dommages accessoires et consécutifs, les limitations et exclusions ci-dessus peuvent ne pas s'appliquer.

## RETOUR DE L'ENREGISTREMENT DE LA GARANTIE

Pour enregistrer votre produit, veuillez visiter notre site Web, Jacuzzi.com, cliquez sur « Bath and Showers » (baignoires et douches), puis sélectionnez ONLINE WARRANTY REGISTRATION (enregistrement de la garantie en ligne) dans la partie supérieure de la page. On vous demandera d'entrer le numéro de série de votre produit, suivi des renseignements d'enregistrement de votre garantie. Ou encore, vous pouvez aussi enregistrer votre produit en remplissant la fiche ci-dessous et en l'envoyant à Jacuzzi à l'adresse indiquée.

L'enregistrement de garantie ci-joint DOIT être rempli par l'acheteur dans un délai de trente (30) jours de l'achat et reçu par Jacuzzi Luxury Bath afin que cette garantie soit en vigueur.

### RESPONSABILITÉS DES AUTRES

L'installateur ou l'entrepreneur qui agit au nom de l'Utilisateur doit examiner l'unité avant de l'installer. Il doit s'assurer que l'unité est libre de défauts ou de dommages. Des avis sont placés sur et dans l'unité ainsi que sur la boîte d'expédition avisant l'installateur de cette responsabilité. En cas de problème, l'unité ne doit pas être installée. L'Entreprise n'est pas responsable des pannes ou des dommages qui auraient pu être découverts, réparés ou évités grâce à une inspection et un essai adéquats (y compris un essai d'eau approprié) avant l'installation.

Le transporteur est responsable des dommages qui surviennent pendant le transport. L'Utilisateur ou l'installateur DOIT ouvrir la boîte et examiner l'unité lorsqu'elle est livrée. Si des dommages sont découverts, ils doivent être immédiatement signalés au vendeur et au transporteur par écrit et une inspection doit être demandée. Si le transporteur ne répond pas, vous devez le signaler au vendeur et au transporteur. Vos réclamations de transport doivent être présentées dans un court délai.

L'installateur et/ou l'entrepreneur sont responsables des dommages survenant pendant l'installation et l'Utilisateur est responsable des dommages survenant par la suite.

Le fabricant d'équipement est entièrement responsable de toute défaillance des équipements en option à l'exception de ce qui est prévu ci-dessus et cette responsabilité ne se prolonge pas ou ne s'applique pas aux pièces de rechange pour les options et les accessoires. Les pièces de rechange seront couvertes par le fabricant original de l'équipement.

Le distributeur ou le dépositaire doit connaître les exigences relatives aux codes locaux et aviser l'entrepreneur qui effectuera l'installation et/ou l'Utilisateur de ces exigences au moment de l'achat. L'Entreprise n'est pas responsable des frais encourus pour modifier un produit pour se conformer à un code, comme les codes de construction de la ville, du comté ou de l'État aux États-Unis ou les codes municipaux ou provinciaux au Canada.

### SERVICE DE GARANTIE

Pour la commodité des clients, l'Entreprise conserve une liste de réparateurs indépendants qui effectuent les réparations requises en vertu de la garantie. Ces personnes ne sont pas des agents ou des représentants de l'Entreprise et ne peuvent pas lier l'Entreprise par leurs paroles ou leur comportement.

L'Entreprise fournit le service de garantie décrit ci-dessus lorsque les conditions suivantes sont respectées : la panne est de nature ou de type couvert par la garantie; l'Utilisateur a informé l'agent de service Jacuzzi Luxury Bath autorisé ou un représentant du service de la garantie de la nature du problème pendant la période de garantie; des preuves concluantes (par ex., une preuve d'achat ou d'installation) est fournie par l'utilisateur prouvant que la panne s'est produite ou a été découverte pendant la période de garantie; un réparateur indépendant autorisé ou un représentant de l'Entreprise a eu la permission d'inspecter l'unité pendant les heures normales d'affaire dans un délai raisonnable après la signalisation du problème par l'Utilisateur. Afin d'obtenir le service en vertu de la garantie, communiquez avec Jacuzzi Luxury Bath à :

jacuzzi.com  
ou  
Service de garantie  
14525 Monte Vista Ave.  
Chino, California 91710 É.-U.  
Composez le : 1-(800) 288-4002

Pour obtenir un remplacement de garantie pour les composants installés en usine pour les options et les accessoires fournis par l'Entreprise et fabriqués et fournis par l'Entreprise, composez le numéro ou écrivez à l'adresse indiqués ci-dessus. Fournissez une description du problème et une preuve d'achat. On vous indiquera comment obtenir des pièces de rechange et où retourner, à vos frais, le(s) composant(s), l'option (les options) ou l'accessoire (les accessoires) défectueux. Toutes les pièces ou l'équipement de rechange et les réparations seront garantis pendant la période de garantie restante de la(es) pièce(s) remplacée(s).

L'obligation de garantie de l'Entreprise sera acquittée au moment de la remise du remplacement ou de la réparation. Si le client refuse le remplacement ou la réparation, l'obligation de garantie de l'Entreprise est alors terminée.

Garantie limitée  
de quatre-vingt-dix  
jours  
seulement sur les  
pièces des  
accessoires

JACUZZI LUXURY BATH  
HE97000





Jacuzzi® Luxury Bath  
14525 Monte Vista Avenue  
Chino, California 91710



## FICHE D'ENREGISTREMENT DE LA GARANTIE



Pour effectuer votre enregistrement, visitez notre site Web à [www.jacuzzi.com](http://www.jacuzzi.com) ou remplissez et postez cette fiche à l'adresse indiquée au verso, et ce, dans un délai de trente (30) jours de la date d'achat afin que cette garantie soit en vigueur.

Nom de l'acheteur \_\_\_\_\_

Adresse de l'acheteur \_\_\_\_\_

Ville \_\_\_\_\_ Province \_\_\_\_\_ Code postal \_\_\_\_\_

Téléphone à la maison \_\_\_\_\_ Cell Phone \_\_\_\_\_

Email: \_\_\_\_\_

Date d'achat \_\_\_\_\_

Nom du modèle \_\_\_\_\_

Numéro de série \_\_\_\_\_

Nom du dépositaire \_\_\_\_\_

Adresse du dépositaire \_\_\_\_\_

1. Comment avez-vous entendu parler de ce produit Jacuzzi® ?

- Publicité  Article dans une revue/un journal
- Visité un dépositaire/fournisseur de plomberie  Pages jaunes
- Constructeur/plombier/rénovateur  Décorateur/architecte
- Visité un détaillant/magasin de rénovation
- Bouche à oreille . . . Ami/parent/connaissance
- Autre (veuillez préciser) \_\_\_\_\_

2. Qui est la première personne vous ayant donné des renseignements précis au sujet de ce produit (spécifications, prix, etc.)?

- Dépositaire/fournisseur de plomberie  Constructeur  Rénovateur
- Entrepreneur en plomberie  Détaillant/magasin de rénovation
- Décorateur/architecte  Déjà installé

3. Quelle était la principale raison de votre achat?

- Style  Service de garantie  Caractéristiques du produit
- Nom de la marque  Prix  Hydrothérapie
- Revente de la résidence \_\_\_\_\_
- Autre \_\_\_\_\_

4. Qui a finalement choisi le produit que vous avez acheté?

- Moi  Mon conjoint  Moi et mon conjoint ensemble
- Autre membre de la famille  Décorateur/architecte
- Constructeur/plombier/rénovateur  Déjà installé

5. Qui l'a installé?  Déjà installé/nouvelle résidence

- Entrepreneur/plombier lors de la rénovation
- Moi/mon conjoint lors d'une rénovation
- Autre \_\_\_\_\_

6. Quelle est la valeur actuelle sur le marché de cette propriété?

Veuillez l'évaluer en dollars

7. Quel est l'âge du chef du ménage? \_\_\_\_\_ ans

8. Quel autre fabricant avez-vous considéré?

- Eljer  Lasco  Price Pfister  Aqua Glass
- Kohler  American Standard  Sterling
- Autre (précisez) \_\_\_\_\_

9. Combien de temps avez-vous magasiné avant d'acheter cette unité?

- 1 jour  2 à 6 mois
- 2 à 7 jours  6 mois à 1 an
- 1 à 2 semaines  1 à 2 ans
- 2 à 4 semaines  +2 ans
- 1 à 2 mois

10. Depuis combien de temps approximativement habitez-vous dans cette résidence? \_\_\_\_\_

11. Veuillez indiquer, approximativement, le revenu annuel total de votre ménage

- Jusqu'à 24 999 \$  50 000 à 74 999 \$
- 25 000 à 29 999 \$  75 000 à 99 999 \$
- 30 000 à 39 999 \$  100 000 à 149 999 \$
- 40 000 à 49 999 \$  150 000 \$ et plus

12. Est-ce que votre processus d'achat a été...?

- Très facile  Facile  Difficile  Très difficile

13. Est-ce que vous connaissiez le système de jets breveté de Jacuzzi avant votre achat?

- Non, je ne le connaissais pas  Je le connaissais un peu  Je le connaissais très bien

Garantie limitée
de quatre-vingt-dix
jours
seulement sur les
pièces des
accessoires