



Evoking the breathtaking beauty and ancient maritime tradition of the northern Italian town for which it is named, the Riva® is true to form—an elegant classic. And truly versatile—at home in both traditional and more contemporary interior design.

WHIRLPOOL BATH FEATURES:

- **Sculpted armrest.**
- **Contoured backrest.**
- **4 Fully adjustable TheraPro™ jets**
- **2 Directionally adjustable AccuPro™ lumbar jets.**
- **Exclusive Tru-Level™ base system.**
- **Slip-resistant bottom.**
- **Patented Fixed Silent Air™ Induction system.**

**Riva® 5.5
WHIRLPOOL BATH**

MODEL NUMBER:
FX55 – Right-hand
FX50 – Left-hand

EXTERIOR DIMENSIONS:
66" long x 38" wide x
19½" high

OF JETS/TYPE OF JETS:
4 TheraPro™ Jets
2 AccuPro™ Lumbar Jets

OPERATING GALLONS:
50 gallons

**Riva® 5.5
SOAKING BATH**

MODEL NUMBER:
FX65

EXTERIOR DIMENSIONS:
66" long x 38" wide x
19½" high

OPERATING GALLONS:
56 gallons





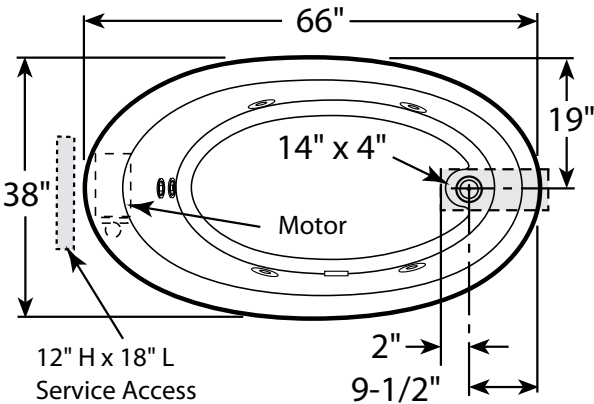
Riva® 5.5 WHIRLPOOL BATH

FX55	Riva™ 5.5 Whirlpool Bath, Right Hand
FX50	Riva™ 5.5 Whirlpool Bath, Left Hand

Riva® 5.5 WHIRLPOOL BATH

FX65	Riva™ 5.5 Soaker Bath
-------------	-----------------------

- Left and Right Hand Drain Location
- Accessories / Hardware:
 - Rotary Drain Kit, 26" Cable #8730
- Trim Kit Finishes Available:
 - (827) – Chrome
 - (898) – Brushed Chrome
 - (815) – Satin Nickel
 - (829) – Bright Brass
 - (805) – Platinum
 - (826) – Brushed Nickel
 - (849) – Oil Rubbed Bronze



**Product Shown: Riva® 5.5 Whirlpool Bath
Right Hand Shown Model: FX55**

** Measurements inside unit represent cutout in floor to allow for drain/overflow.*

Minimum Service Access dimensions given.

INSTALLATION NOTES

Refer to installation instructions included with fixture before beginning installation. Please confirm product availability and specifications before commencing with any installation work.

PRODUCT SPECIFICATIONS AND AVAILABILITY ARE SUBJECT TO CHANGE WITHOUT NOTICE.

Electrical Components and Electrical Specifications do not apply to non-jetted baths.

Technical Specifications

DIMENSIONS

66" L x 38" W x 19 1/2" H
(1676 mm) L x (965 mm) W x (495 mm) H

DRAIN/OVERFLOW

A: 14 3/4" (375 mm) B: 9 1/2" (241 mm)

CUTOUT

Template Provided Part Number:
FX40000 Drop-in/Undermount

TOTAL WEIGHT

Model #FX50 & FX55: 760 lb (344 kg) / 55 lb/sq. ft. (29 kg/m²)
Model #FX65: 730 lb (331 kg) / 54 lb/sq. ft. (29 kg/m²)

OPERATING GALLONAGE

Model #FX50 & FX55: 50 U.S. Gal. (189 Liters)
Model #FX65: 56 U.S. Gal. (211 Liters)
Min. 44 U.S. Gal. (166 Liters)
Max. 56 U.S. Gal. (211 Liters)

PRODUCT WEIGHT

Model #FX50 & FX55: 93 lb (42 kg)
Model #FX65: 63 lb (29 kg)

SKIRT MOUNTING

Not Available

ELECTRICAL SPECIFICATIONS – Model #Fx50 & FX55 only

Requires a dedicated GFCI protected separate circuit.

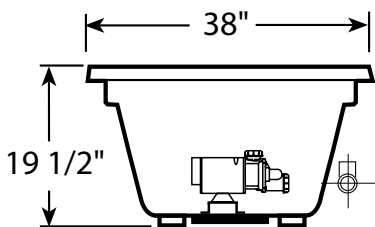
Motor/Pump: 120 VAC, 15 AMP, 60 Hz.

RapidHeat™: 120 VAC, 15 AMP, 60 Hz.

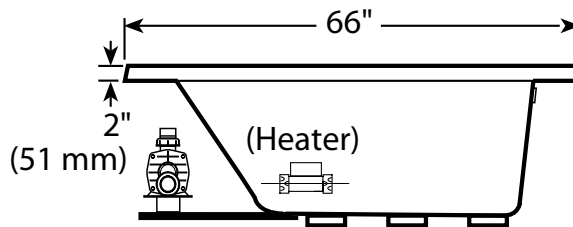
HEATER (OPTIONAL) – Model #Fx50 & FX55 only

Requires a dedicated GFCI protected separate circuit.

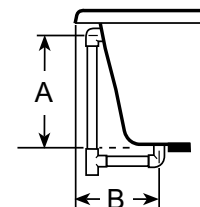
RapidHeat™: P/N S750000



END VIEW



SIDE VIEW



DRAIN/OVERFLOW