



Bathing has never been like this before. Incorporating exotic woods, acrylic and state-of-the art bathing technologies, the Fuzion™ combines everything you need to create your ideal spa experience.

FEATURES:

- Multi-speed motor
- 4 fully adjustable TheraPro® jets
- 11 directionally adjustable AccuPro™ jets
- 900 watt variable speed heated air blower
- Bottom air channels for maximum massage
- Chromatherapy™ lighting system capable of 256 colors
- Water level sensor
- Drain-assist purge system
- Sculpted armrest and contoured backrest with pillows
- All-in-one electronic control panel
- Infinity-edge drain system
- RapidHeat™ inline heater
- Undermount or choose Wenge or Teak wooden deck
- ProO₃™ Cleansing System

Fuzion™ 6666
SALON™ SPA with
CHROMATHERAPY,
SINGLE MOTOR

MODEL NUMBER:
FL85 (Teak RH)
FL05 (Wenge RH)

EXTERIOR DIMENSIONS:
72" long x 60" wide x
24" high

OF JETS/TYPE OF JETS:
4 TheraPro™
7 AccuPro™ Back Jets
4 AccuPro™ Foot Jets

OPERATING GALLONS:
145 gallons

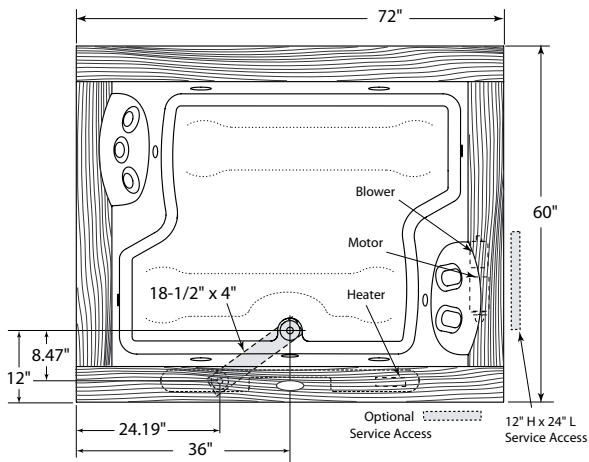




Fuzion™ 7260 SALON™ SPA with CHROMATHERAPY

FL85	Fuzion™ 7260 Salon™ Spa with Chromatherapy Right Hand motor, Teak
FL05	Fuzion™ 6666 Salon™ Spa with Chromatherapy Right Hand motor, Wenge

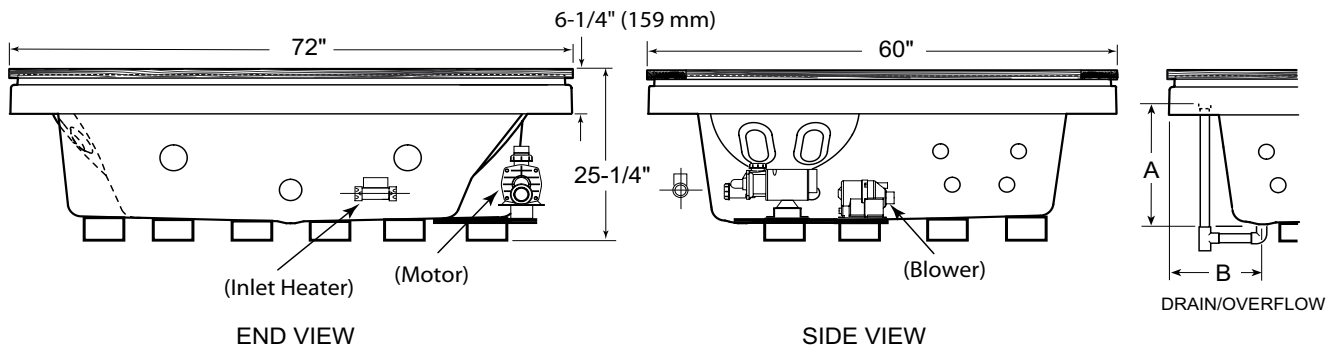
- Center Drain Location
- Overflow fitting comes with tub
- Accessories / Hardware:
 - TheraPro™ Jet Rings Kit: #D095
- Trim Kit Finishes Available:
 - (827) – Chrome
 - (898) – Brushed Chrome
 - (815) – Satin Nickel
 - (829) – Bright Brass
 - (805) – Platinum
 - (826) – Brushed Nickel
 - (845) – Oil Rubbed Bronze



**Product Shown: Fuzion™ 7260 Salon™ Spa
Teak with Chromatherapy
Single Right Hand Motor Model:FL85**

* Measurements inside unit represent cutout in floor to allow for drain/overflow.

Minimum Service Access dimensions given.



INSTALLATION NOTES

Refer to installation instructions included with fixture before beginning installation. Please confirm product availability and specifications before commencing with any installation work.

PRODUCT SPECIFICATIONS AND AVAILABILITY ARE SUBJECT TO CHANGE WITHOUT NOTICE.

Technical Specifications

DIMENSIONS

72" L x 60" W x 24" H
(1829 mm) L x (1524 mm) W x (667 mm) H

DRAIN/OVERFLOW

A: 16-3/4" (425 mm) B: 12-1/16" (306 mm)

CUTOUT

71" (1803 mm) x 59" (1499 mm)

TOTAL WEIGHT

1805 lb. (819 kg) / 60 lb/ft² (293 kg/m²)

OPERATING GALLONAGE

145 U.S. Gal. (549 Liters)

PRODUCT WEIGHT

274 lb. (124 kg)

SKIRT MOUNTING

Not Available

ELECTRICAL SPECIFICATIONS

Requires a dedicated GFCI protected separate circuit.

Blower: 120VAC, 20AMP, 60 Hz.

Motor/Pump and RapidHeat™: 240VAC, 20AMP, 60 Hz.

HEATER (STANDARD)

Requires a dedicated GFCI protected separate circuit.

RapidHeat™: P/N BN60000