



Bathing has never been like this before. Incorporating exotic woods, acrylic and state-of-the art bathing technologies, the Fuzion™ combines everything you need to create your ideal spa experience.

WHIRLPOOL BATH FEATURES:

- Multi-speed motor
- 4 fully adjustable TheraPro® jets
- 11 directionally adjustable AccuPro™ jets
- 256 color Chromatherapy lighting system
- Water level sensor
- Sculpted armrest and contoured backrest with pillows
- All-in-one electronic control panel
- Infinity-edge drain system
- RapidHeat™ inline heater
- Undermount or choose Wenge or Teak wooden deck
- ProO₃™ Ozone Sanitation System standard

**Fuzion™ 7236
WHIRLPOOL
BATH with
CHROMATHERAPY**

MODEL NUMBER:
EF75 (Wenge-LH)
EF45 (Wenge-RH)
EF70 (Teak-LH)
EF40 (Teak-RH)

EXTERIOR DIMENSIONS:
72" long x 36" wide x
22³/₄" high

OF JETS/TYPE OF JETS:
4 TheraPro™ Jets
11 AccuPro™ Jets

OPERATING GALLONS:
82 gallons

**Fuzion™ 7236
WHIRLPOOL
BATH with
ILLUMATHERAPY™**

MODEL NUMBER:
EF90 (Wenge-LH)
EF60 (Wenge-RH)
EF85 (Teak-LH)
EF55 (Teak-RH)

EXTERIOR DIMENSIONS:
72" long x 36" wide x
22³/₄" high

OF JETS/TYPE OF JETS:
4 TheraPro™ Jets
11 AccuPro™ Jets

OPERATING GALLONS:
82 gallons



Fuzion™ 7236

WHIRLPOOL BATH with CHROMATHERAPY



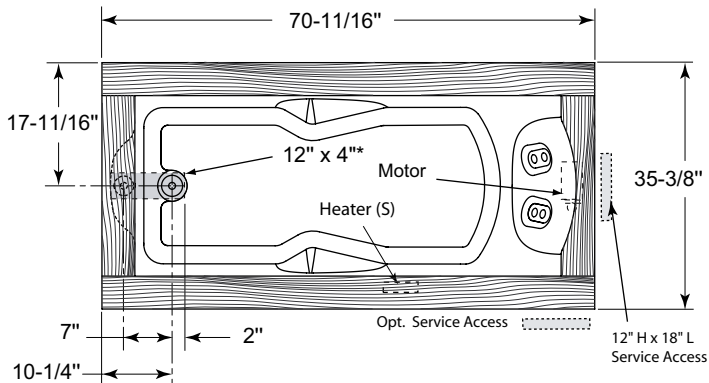
EF75	Fuzion™ 7236 Whirlpool Bath Wenge, Left Hand
EF45	Fuzion™ 7236 Whirlpool Bath Wenge, Right Hand
EF70	Fuzion™ 7236 Whirlpool Bath Teak, Left Hand
EF40	Fuzion™ 7236 Whirlpool Bath Teak, Right Hand

Fuzion™ 7236

WHIRLPOOL BATH with ILLUMATHERAPY™

EF90	Fuzion™ 7236 Whirlpool Bath Wenge, Left Hand
EF60	Fuzion™ 7236 Whirlpool Bath Wenge, Right Hand
EF85	Fuzion™ 7236 Whirlpool Bath Teak, Left Hand
EF55	Fuzion™ 7236 Whirlpool Bath Teak, Right Hand

- Left or Right Hand Drain Locations
- Overflow fitting comes with tub
- Accessories / Hardware:
 - HTC Jet Trim Kit: #D095
 - Oval Trim Kit: #N557
 - BMH 2 Jet trim Kit: # J869 (4 kits required)
- Trim Kit Finishes Available:
 - (827) – Chrome
 - (898) – Brushed Chrome
 - (815) – Satin Nickel
 - (829) – Bright Brass
 - (805) – Platinum
 - (826) – Brushed Nickel
 - (845) – Oil Rubbed Bronze



Product Shown: Fuzion™ 7236 Whirlpool Bath with Illumatherapy™ Left Hand Model

* Measurements inside unit represent cutout in floor to allow for drain/overflow.

Minimum Service Access dimensions given.

INSTALLATION NOTES

Refer to installation instructions included with fixture before beginning installation. Please confirm product availability and specifications before commencing with any installation work.

PRODUCT SPECIFICATIONS AND AVAILABILITY ARE SUBJECT TO CHANGE WITHOUT NOTICE.

Technical Specifications

DIMENSIONS

72" L x 36" W x 22³/₄" H
(1829 mm) L x (914 mm) W x (578 mm) H

DRAIN/OVERFLOW

A: 17" (432 mm) B: 10¹/₄" (260 mm)

CUTOUT

69¹/₂" x 34³/₈"

TOTAL WEIGHT

1239 lb (561 kg) / 69 lb/ft² (336 kg/m²)

OPERATING GALLONAGE

82 U.S. Gal. (310 Liters)
Max. 94 U.S. Gal. (360 Liters)

PRODUCT WEIGHT

195 lb. (88 kg)

SKIRT MOUNTING

Not Available

ELECTRICAL SPECIFICATIONS

Requires a dedicated GFCI protected separate circuit.

Motor/Pump: 120 VAC, 20 AMP, 60 Hz.

RapidHeat™: 120 VAC, 15 AMP, 60 Hz.

HEATER (STANDARD)

Requires a dedicated GFCI protected separate circuit.

RapidHeat™: P/N S750000

Faucet Installation Note:

Selecting a faucet for rim mounting: The combined thickness at the rim of the tub shell and the wood trim is 2" (50,8 mm) nominal. The length of the faucet tailpiece(s) must be long enough to extend past this dimension and have ample clearance to assemble any hardware (i.e. locknut, water supply fittings, etc.) necessary for installation.

