



Bathing has never been like this before. Incorporating exotic woods, acrylic and state-of-the art bathing technologies, the Fuzion™ combines everything you need to create your ideal spa experience.

FEATURES:

- Multi-speed motor
- 2 fully adjustable TheraPro® jets
- 12 directionally adjustable AccuPro™ jets
- 900 watt variable speed heated air blower
- Bottom air channels for maximum massage
- Chromatherapy™ lighting system capable of 256 colors
- Water level sensor
- Drain-assist purge system
- Sculpted armrest and contoured backrest with pillows
- All-in-one electronic control panel
- Infinity-edge drain system
- RapidHeat™ inline heater
- Undermount or choose Wenge or Teak wooden deck
- ProO<sub>3</sub>™ Cleansing System

**Fuzion™ 7236**  
**SALON™ SPA**  
**UNDERMOUNT with**  
**CHROMATHERAPY**

MODEL NUMBER:  
FE05 (RH)

EXTERIOR DIMENSIONS:  
70<sup>11</sup>/<sub>16</sub>" long x  
35<sup>3</sup>/<sub>8</sub>" wide x 24" high

# OF JETS/TYPE OF JETS:  
2 TheraPro™ Jets  
12 AccuPro™ Jets

OPERATING GALLONS:  
82 gallons

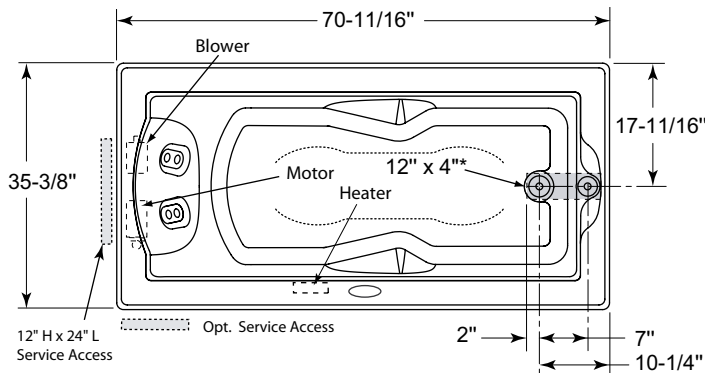




# Fuzion™ 7236 SALON™ SPA UNDERMOUNT with CHROMATHERAPY

**FE05** Fuzion™ 7236 Salon™ Spa, Undermount with Chromatherapy – Right Hand

- Right Hand Drain Locations
- Overflow fitting comes with tub
- Accessories / Hardware:
  - TheraPro™ Jet Rings Kit: #D095
- Trim Kit Finishes Available:
  - (827) – Chrome
  - (898) – Brushed Chrome
  - (815) – Satin Nickel
  - (829) – Bright Brass
  - (805) – Platinum
  - (826) – Brushed Nickel
  - (845) – Oil Rubbed Bronze



**Product Shown: Fuzion™ 7236 Salon™ Spa Undermount with Chromatherapy, Right Hand Model: FE05**

\* Measurements inside unit represent cutout in floor to allow for drain/overflow.

Minimum Service Access dimensions given.

## INSTALLATION NOTES

Refer to installation instructions included with fixture before beginning installation. Please confirm product availability and specifications before commencing with any installation work.

PRODUCT SPECIFICATIONS AND AVAILABILITY ARE SUBJECT TO CHANGE WITHOUT NOTICE.

## Technical Specifications

### DIMENSIONS

70-11/16" L x 35-3/8" W x 24" H  
(1795 mm) L x (899 mm) W x (610 mm) H

### DRAIN/OVERFLOW

A: 17" (432 mm) B: 10-1/4" (260 mm)

### CUTOUT

Template provided. PN: DD42000

### OPTIONAL DIY (DO-IT-YOURSELF) FRAME

Drawing provided. PN: DE54000

(Drawing comes with tub. Additional copies can be requested.)

### TOTAL WEIGHT

1145 lb. (519 kg) / 63.7 lb/ft<sup>2</sup> (311 kg/m<sup>2</sup>)

### OPERATING GALLONAGE

82 U.S. Gal. (37 Liters)

### PRODUCT WEIGHT

165 lb. (75 kg)

### SKIRT MOUNTING

Not Available

### ELECTRICAL SPECIFICATIONS

Requires a dedicated GFCI protected separate circuit.

Blower: 120VAC, 20AMP, 60 Hz.

Motor/Pump and RapidHeat™: 240VAC, 20AMP, 60 Hz.

### HEATER (STANDARD)

Requires a dedicated GFCI protected separate circuit.

RapidHeat™: P/N BN60000

