



FINESTRA WALK-IN BATH INSTALLATION / OPERATION INSTRUCTIONS



Save These Instructions for Future Use.

Complete and mail in the product registration card provided with your unit.
Write and save the model and serial number of your unit below.

Owner's Record

Date Purchased _____

Purchased From _____

Installed By _____

Serial Number _____

Model _____

Installer: Leave this manual for homeowner.

Homeowner: Read this manual and keep for future reference.

ALSO FIND MANUAL ON-LINE AT JACUZZI.COM

IMPORTANT SAFETY INSTRUCTIONS

READ AND FOLLOW ALL INSTRUCTIONS

SAVE THESE INSTRUCTIONS

INSTRUCTIONS PERTAINING TO A RISK OF FIRE, ELECTRIC SHOCK, OR INJURY TO PERSONS

WARNING: When using this unit, basic precautions should always be followed, including the following.

WARNING: Use this unit only for its intended use as described in this manual. Do not use attachments not recommended by the manufacturer.

DANGER: To reduce the risk of injury, do not permit children to use this unit unless they are closely supervised at all times.

WARNING: Never drop or insert any object into any opening.

CAUTION: Risk of Electric Shock: The Finestra Bath may have two power sources in which case two disconnect switches are required to de-energize the unit before servicing.

INSTALLATION

NOTE: This is a professional grade product. A knowledge of construction techniques, plumbing and electrical installation according to codes are required for proper installation and user satisfaction. We recommend that a licensed contractor perform the installation of all Jacuzzi Whirlpool Bath products. Our warranty does not cover improper installation related problems.

NOTE: Install this unit in accordance with the Canadian Electrical Code, Part 1.

CAUTION: This equipment is intended for indoor use only. Install the equipment in accordance with these instructions. Use supply wires that are suitable for 75°C, including the temperature rating of the supply conductors to be used.

This unit should be electrically grounded and installed by a licensed contractor, electrician, and plumber.

Building materials and wiring should be routed away from the motor/pump or blower or other heat producing components of this unit.

A pressure wire connector is provided on the exterior of the motor/pump and heater to permit connection of an No. 8 AWG (8.4 mm) solid copper bonding conductor between this unit and all other electric equipment and exposed metal in the vicinity, as needed to comply with local requirements.

WARNING: This unit must be connected only to a supply circuit that is protected by a 15 A ground fault circuit interrupter (GFCI). Such a GFCI should be provided by the installer and should be tested on a routine basis. To test the GFCI, push the test button. The GFCI should interrupt power. Push the reset button. Power should be restored. If the GFCI fails to operate in this manner, the GFCI is defective. If the GFCI interrupts power to the bathtub without the test button being pushed, a ground current flowing, indicating a possibility of an electric shock. Do not use this hydromassage bathtub. Disconnect the hydromassage bathtub and have the problem corrected by a qualified service representative before using.

WARNING: (For permanently connected units) A green-colored terminal (or a wire connector) marked "G," "GR," "GROUND," or "GROUNDING" is provided within the terminal compartment. To reduce the risk of electric shock, connect the terminal or connector to the grounding terminal of your electric service or supply panel with a conductor equivalent in size to the circuit conductors supplying the equipment.

For built-in and drop-in units, install to permit access for servicing.

OPERATION

CAUTION: Test the ground fault circuit interrupter protecting this appliance periodically in accordance with manufacturer's instructions.

WARNING: Risk of hyperthermia and possible drowning: Water temperature in excess of 104°F (40°C) may be injurious to your health. Check and adjust water temperature before use.

WARNING: Prolonged immersion in hot water may induce hyperthermia. Hyperthermia occurs when the internal temperature of the body reaches a level several degrees above the normal body temperature of 98.6°F. The symptoms of hyperthermia include an increase in the internal temperature of the body, dizziness, lethargy, drowsiness and fainting. The effects of hyperthermia include:

- Failure to perceive heat
- Failure to recognize the need to exit the spa or hot tub
- Unawareness of impending hazard
- Fetal damage in pregnant women
- Physical inability to exit the spa or hot tub
- Unconsciousness resulting in danger of drowning

WARNING: Risk of fetal injury: Pregnant or possibly pregnant women should consult a physician before using a hydromassage bathtub equipped with a heater.

WARNING: The use of alcohol, drugs or medication can greatly increase the risk of fatal hyperthermia. People using medications or having an adverse medical history should consult a physician before using a hydromassage bathtub equipped with a heater.

WARNING: Risk of hyperthermia and possible drowning: Do not use a hydromassage bathtub equipped with a heater immediately following strenuous exercise.

WARNING: Do not operate this unit without the guard over the suction fitting.

WARNING: Keep body and hair a minimum of 6" (152 mm) away from suction fitting at all times when the hydromassage system is operating. Hair longer than shoulder length should be secured close to the head.

WARNING: Do not tamper with user-operated controls or such devices.

WARNING: Use this unit only for its intended use as described in this manual. Do not use attachments not recommended by the manufacturers.

WARNING: To avoid injury, exercise caution when entering or exiting the hydromassage bathtub.

WARNING: Risk of electrical shock: Do not permit electrical appliances such as a hair dryer, lamp, telephone, radio or television) within 60" (1.5 m) of this hydromassage bathtub.

- Do not operate hydromassage system unless the bath is filled with water to at least 1-2" (25-51 mm) above highest jet
- Do not immerse the control panel by overfilling the bath
- Do not use oil-based bath additives in your hydromassage bath
- When cleaning your bath, do not use abrasive substances which will damage the bath's surface
- To prevent discoloration of the acrylic finish, do not fill the bath with water in excess of 140°F (60°C)

PRODUCT SPECIFICATIONS ARE SUBJECT TO CHANGE WITHOUT NOTICE.

USE INSTALLATION INSTRUCTIONS SUPPLIED WITH PRODUCT.

The Company has obtained applicable code (standards) listings generally available on a national basis for products of this type. It is the responsibility of the installer/owner to determine specific local code compliance prior to installation of the product. The Company makes no representation or warranty regarding, and will not be responsible for any code compliance.

CONTENTS

Safety Instructions	2
Specifications	5
Installation	12
Framing and Support	12
Service Access	12
Level Adjustment	13
Electrical Connections	13
Plumbing and Water Supply	14
Operation	15
Water Level	15
Controlling Whirlpool Action	15
Control Panel Operation	15
Proper Door Closure	17
Rapid Heat	17
Vacuum Pressure Switch	17
High Limit Switch	17
Pro ³ Ozone Sanitation System	18
Maintenance	19
Cleaning the Bath	19
Repairs to the Surface	19
Bath Additives	19
Purging the Whirlpool System	19
Systems Clean™ Instructions	19
Ozone Maintenance	19
Suction/Intake Cover/Strainer Maintenance	20
Airbath Interconnection Diagram	21
Whirlpool Bath Interconnection Diagram	22
Salon Bath Interconnection Diagram	23
Troubleshooting Guide	24
Authorized Service	25
Warranty	

SPECIFICATIONS

Important: Read complete instructions before beginning installation.

Each whirlpool bath arrives ready for installation, completely equipped with motor/pump assembly, heater, plumbing, and fittings necessary for whirlpool operation. A rotary drain/overflow kit is provided for installation on the bath, and an optional remote drain/overflow assembly is also available.

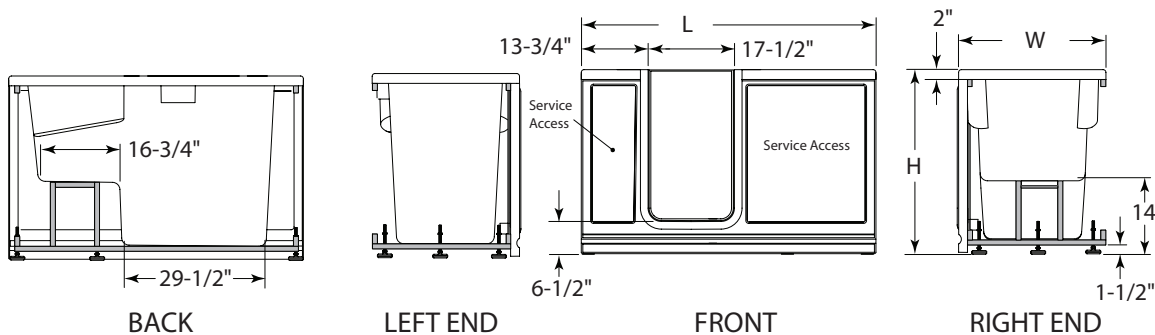
Remove the bath from the carton. Retain the shipping carton until satisfactory inspection of the product has been made. **Do not lift the bath by the plumbing at any time; handle by the shell only or the aluminum handles provided at the ends of the unit.**

Immediately upon receipt, inspect the shell before installing. Should inspection reveal any damage or defect in the finish, do not install the bath. Damage or defect to the finish claimed after the bath is installed is excluded from the warranty. Jacuzzi Whirlpool Bath's responsibility for shipping damage ceases upon delivery of the products in good order to the carrier. Refer any claims for damage to the carrier. For definitions of warranty coverage and limitations, refer to the published warranty information packed with the product.

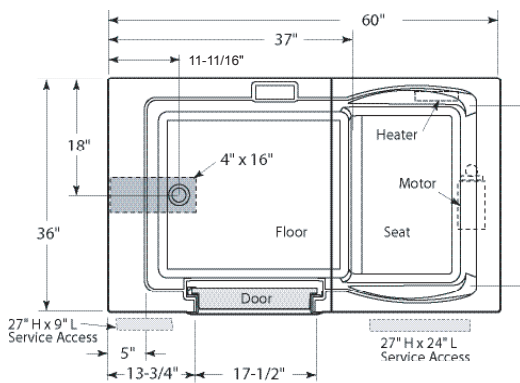
All bath units are factory tested for proper operation and watertight connections prior to shipping.

NOTE: Prior to installation, the bath must be filled with water and operated to check for leaks that may have resulted from shipping damage or mishandling. Jacuzzi Whirlpool Bath is not responsible for any defect that could have been discovered, repaired, or avoided by following this inspection and testing procedure.

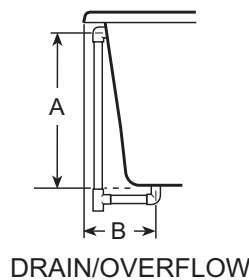
SPECIFICATIONS LH=Left Hand, RH=Right Hand



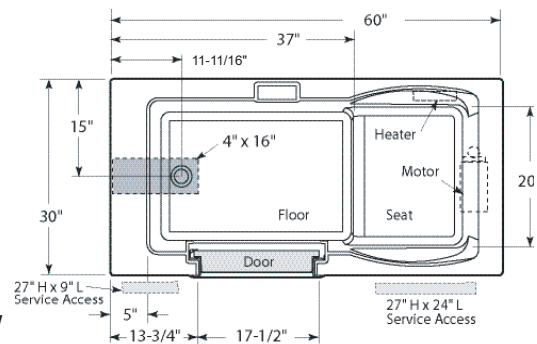
Model	Dimensions	Drain/Overflow Dimensions	Cutout	Total Weight/Floor Loading	Operating Gallonage	Product Weight	Skirt/Mounting	Heater
Finestra™ 6030 LH, RH	60" (1524 mm) L 30" (762 mm) W 38-1/2" (952.5) H	15" (381 mm) A 11-11/16" (297 mm) B	See below	1038 lb (472 kg), 41.5 lb/ft ² (202 kg/m ²)	55 gal (208 liter) min, 75 gal (284 liter) max	See pages 6 to 11	Integral	Factory installed
Finestra™ 6036 LH, RH	60" (1524 mm) L 36" (914 mm) W 38-1/2" (952.5) H	18" (457 mm) A 11-11/16" (297 mm) B	See below	1177 lb (535 kg), 47.1 lb/ft ² (229 kg/m ²)	55 gal (208 liter) min, 85 gal (321 liter) max	See pages 6 to 11	Integral	Factory installed



FINESTRA™ 6036



DRAIN/OVERFLOW



FINESTRA™ 6030

* Add 1/4" to this dimension when roughing-in for 3-wall niche.

FOR ALL UNITS: Electrical Service Requirements: All require a dedicated GFCI protected separate circuit (See page 7 to 12).

- NOTE:**
1. Measurements inside each unit represent cutout in floor to allow for drain/overflow.
 2. All measurements are in inches. To convert to millimeters, multiply inches by 25.4.
 3. Service access dimensions given are minimum size.
 4. The overall dimensions are nominal with a tolerance of +0 and -1/4" (6.4 mm).

SPECIFICATIONS

Ordering Information

Product Code:

EU50 Finestra™ 6030 Walk-In 14" Seat Whirlpool Bath, LH
 EU55 Finestra™ 6030 Walk-In 14" Seat Whirlpool Bath, RH
 EY10 Finestra™ 6030 Walk-In 17" Seat Whirlpool Bath, LH
 EY15 Finestra™ 6030 Walk-In 17" Seat Whirlpool Bath, RH
 EV85 Finestra™ 6030 Walk-In 14" Seat Bath, LH
 EV90 Finestra™ 6030 Walk-In 14" Seat Bath, RH
 EY00 Finestra™ 6030 Walk-In 17" Seat Bath, LH
 EY05 Finestra™ 6030 Walk-In 17" Seat Bath, RH

- Left and Right Hand drain locations
- Standard drain kit, No. FB48827
- Accessories / Hardware:
 - Remote Drain Kit: #FC30XXX
 - Pillow: #EK91959
- Trim Kit Finishes Available:
 - Standard Part No. BN21XXX
 - (827) – Chrome
 - (829) – Bright Brass
 - (898) – Brushed Chrome
 - (826) – Brushed Nickel
 - (845) – Oil-Rubbed Bronze
 - (805) – Platinum
 - (815) – Satin Nickel

Installation Notes

Refer to installation instructions included with fixture before beginning installation. Please confirm product availability and specifications before commencing with any installation work.

PRODUCT SPECIFICATIONS AND AVAILABILITY ARE SUBJECT TO CHANGE WITHOUT NOTICE.

Technical Specifications

Dimensions

60" L x 30" W x 38-1/2" H
 (1524 mm) L x (762 mm) W x (977.9 mm) H

Drain/Overflow

A: 31-1/2" (800 mm) B: 11-11/16" (297 mm)

Cutout

NA

Total Weight

EU50, EU55: 340 lb. (154.5 kg)

EY10, EY15: 340 lb. (154.5 kg)

EV85, EV90: 310 lb. (141 kg)

EY00, EY05: 310 lb. (141 kg)

Operating Gallonage

Max: 75 U.S. Gal. (284 liters)

Min: 55 U.S. Gal. (208 liters)

Product Weight

EU50, EU55: 280 lb. (127 kg)

EY10, EY15: 280 lb. (127 kg)

EV85, EV90: 260 lb. (118 kg)

EY00, EY05: 260 lb. (118 kg)

Skirt Mounting

NA

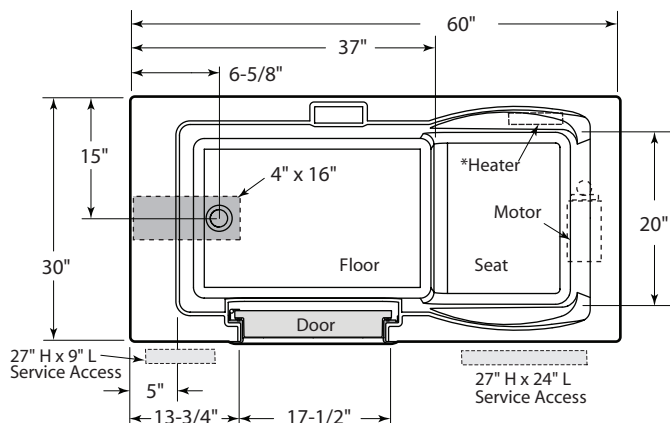
Electrical Specifications (Models EU50, EU55, EY10, EY15 only)

Motor/Pump and RapidHeat™: 120 VAC, 20 AMP, 60 Hz.

Heater

RapidHeat™: (P/N BN60000) comes standard on:

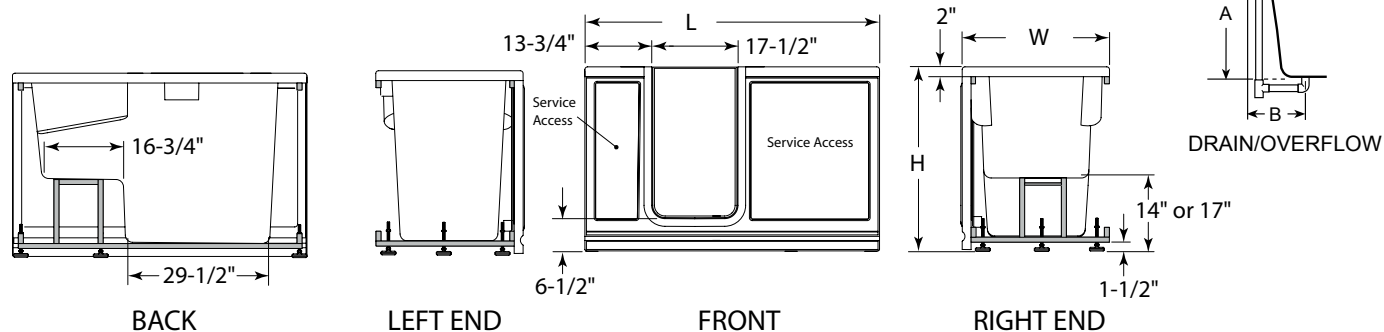
*(Models EU50, EU55, EY10, and EY15 only)



Finestra™ 6030 Walk-In 14" Seat Whirlpool Bath Left Hand (EU50) shown.

* Measurements inside unit represent cutout in floor to allow for drain/overflow.

Minimum service access dimensions given.



SPECIFICATIONS

Ordering Information

Product Code:

EW05 Finestra™ 6030 Walk-In 14" Seat Salon™ Spa Bath, Left Hand

EW10 Finestra™ 6030 Walk-In 14" Seat Salon™ Spa Bath, Right Hand

EY30 Finestra™ 6030 Walk-In 17" Seat Salon™ Spa Bath, Left Hand

EY35 Finestra™ 6030 Walk-In 17" Seat Salon™ Spa Bath, Right Hand

- Left and Right Hand drain locations
- Standard drain kit, No. FB48827
- Accessories / Hardware:
 - Remote Drain Kit: #FC30XXX
 - Pillow: #EK91959
- Trim Kit Finishes Available:
 - Standard Part No. BN21XXX
 - (827) - Chrome
 - (829) - Bright Brass
 - (898) - Brushed Chrome
 - (826) - Brushed Nickel
 - (845) - Oil-Rubbed Bronze
 - (805) - Platinum
 - (815) - Satin Nickel

Installation Notes

Refer to installation instructions included with fixture before beginning installation. Please confirm product availability and specifications before commencing with any installation work.

PRODUCT SPECIFICATIONS AND AVAILABILITY ARE SUBJECT TO CHANGE WITHOUT NOTICE.

Technical Specifications

Dimensions

60" L x 30" W x 38-1/2" H
(1524 mm) L x (762 mm) W x (977.9 mm) H

Drain/Overflow

A: 31-1/2" (800 mm) B: 11-11/16" (297 mm)

Cutout

NA

Total Weight

EW05, EW10: 360 lb. (163.5 kg)

EY30, EY35: 360 lb. (163.5 kg)

Operating Gallonage

Max: 75 U.S. Gal. (284 liters)

Min: 55 U.S. Gal. (208 liters)

Product Weight

EW05, EW10: 310 lb. (141 kg)

EY30, EY35: 310 lb. (141 kg)

Skirt Mounting

NA

Electrical Specifications

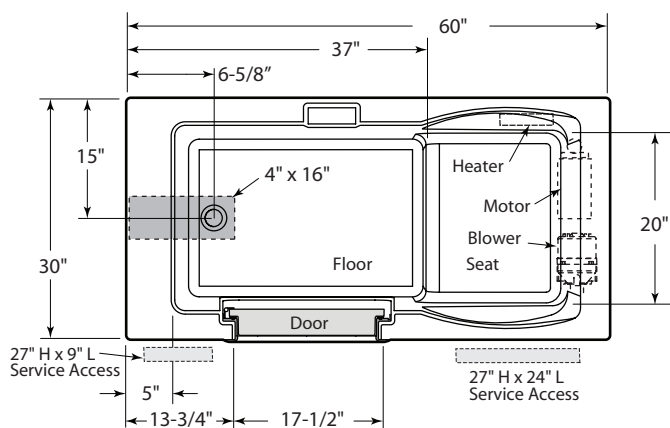
Requires two separate GFCI protected circuits.

Motor/Pump and RapidHeat™: 240 VAC, 20 AMP, 60 Hz.

Blower: 120 VAC, 20 AMP, 60 Hz.

Heater (Standard)

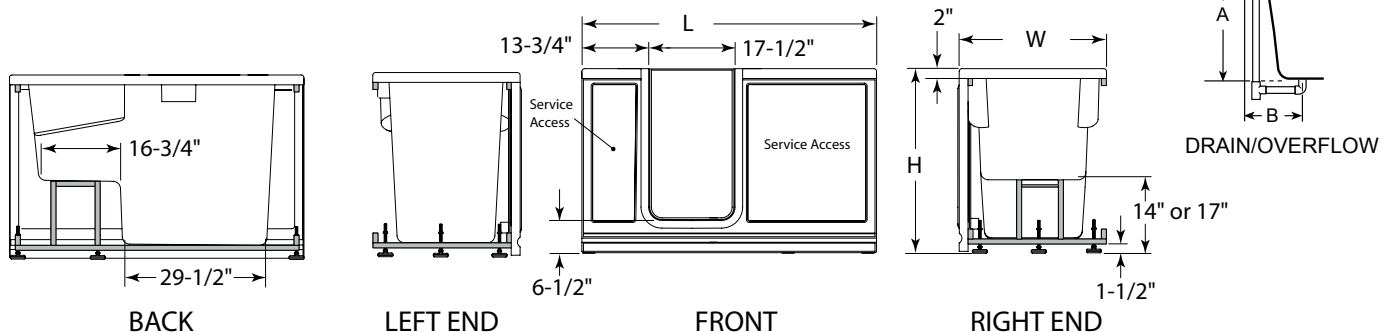
RapidHeat™: P/N BN60000



Finestra™ 6030 Walk-In 14" Seat Salon™ Spa Bath Left Hand (EW05) shown.

* Measurements inside unit represent cutout in floor to allow for drain/overflow.

Minimum service access dimensions given.



SPECIFICATIONS

Ordering Information

Product Code:

EV95 Finestra™ 6030 Walk-In 14" Seat Pure Air Bath, Left Hand

EW00 Finestra™ 6030 Walk-In 14" Seat Pure Air Bath, Right Hand

EY20 Finestra™ 6030 Walk-In 17" Seat Pure Air Bath, Left Hand

EY25 Finestra™ 6030 Walk-In 17" Seat Pure Air Bath, Right Hand

- Left and Right Hand drain locations
- Standard drain kit, No. FB48827
- Accessories / Hardware:
 - Remote Drain Kit: #FC30XXX
 - Pillow: #EK91959
- Trim Kit Finishes Available:
 - Standard Part No. BN21XXX
 - (827) - Chrome
 - (829) - Bright Brass
 - (898) - Brushed Chrome
 - (826) - Brushed Nickel
 - (845) - Oil-Rubbed Bronze
 - (805) - Platinum
 - (815) - Satin Nickel

Installation Notes

Refer to installation instructions included with fixture before beginning installation. Please confirm product availability and specifications before commencing with any installation work.

PRODUCT SPECIFICATIONS AND AVAILABILITY ARE SUBJECT TO CHANGE WITHOUT NOTICE.

Technical Specifications

Dimensions

60" L x 30" W x 38-1/2" H
(1524 mm) L x (762 mm) W x (977.9 mm) H

Drain/Overflow

A: 31-1/2" (800 mm) B: 11-11/16" (297 mm)

Cutout

NA

Total Weight

EV95, EW00: 320 lb. (145 kg)

EY20, EY25: 320 lb. (145 kg)

Operating Gallonage

Max: 75 U.S. Gal. (284 liters)

Min: 55 U.S. Gal. (208 liters)

Product Weight

EV95, EW00: 270 lb. (122 kg)

EY20, EY25: 270 lb. (122 kg)

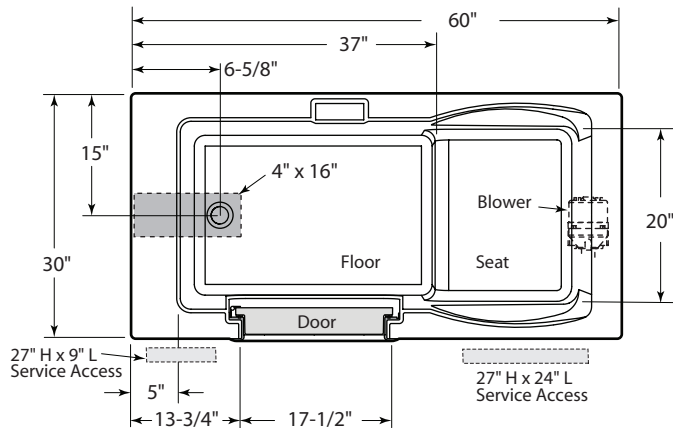
Skirt Mounting

NA

Electrical Specifications

Requires a dedicated GFCI protected separate circuit.

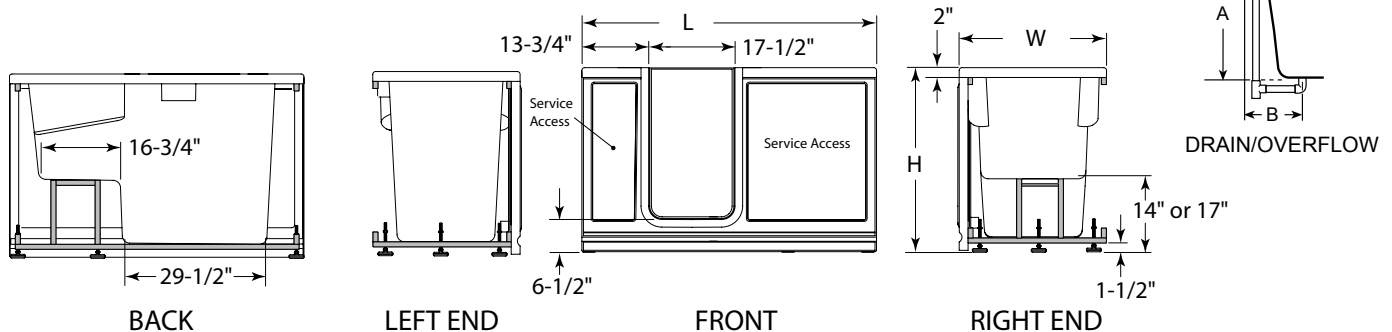
Blower: 115 VAC, 15 AMP, 60 Hz.



Finestra™ 6030 Walk-In 14" Seat Pure Air Bath Left Hand (EV95) shown.

* Measurements inside unit represent cutout in floor to allow for drain/overflow.

Minimum service access dimensions given.



SPECIFICATIONS

Ordering Information

Product Code:

- EU60 Finestra™ 6036 Walk-In 14" Seat Whirlpool Bath, LH
- EU65 Finestra™ 6036 Walk-In 14" Seat Whirlpool Bath, RH
- EY50 Finestra™ 6036 Walk-In 17" Seat Whirlpool Bath, LH
- EY55 Finestra™ 6036 Walk-In 17" Seat Whirlpool Bath, RH
- EW15 Finestra™ 6036 Walk-In 14" Seat Bath, LH
- EW20 Finestra™ 6036 Walk-In 14" Seat Bath, RH
- EY40 Finestra™ 6036 Walk-In 17" Seat Bath, LH
- EY45 Finestra™ 6036 Walk-In 17" Seat Bath, RH

- Left and Right Hand drain locations
- Standard drain kit, No. FB48827
- Accessories / Hardware:
 - Remote Drain Kit: #FC30XXX
 - Pillow: #EK91959
- Trim Kit Finishes Available:
 - Standard Part No. BN21XXX
 - (827) – Chrome
 - (829) – Bright Brass
 - (898) – Brushed Chrome
 - (826) – Brushed Nickel
 - (845) – Oil-Rubbed Bronze
 - (805) – Platinum
 - (815) – Satin Nickel

Installation Notes

Refer to installation instructions included with fixture before beginning installation. Please confirm product availability and specifications before commencing with any installation work.

PRODUCT SPECIFICATIONS AND AVAILABILITY ARE SUBJECT TO CHANGE WITHOUT NOTICE.

Technical Specifications

Dimensions

60" L x 30" W x 38-1/2" H
(1524 mm) L x (762 mm) W x (977.9 mm) H

Drain/Overflow

A: 31-1/2" (800 mm) B: 11-11/16" (297 mm)

Cutout

NA

Total Weight

EU60, EU65: 360 lb. (163.5 kg)
EY50, EY55: 360 lb. (163.5 kg)

EW15, EW20: 340 lb. (154.5 kg)
EY40, EY45: 340 lb. (154.5 kg)

Operating Gallonage

Max: 85 U.S. Gal. (322 liters)
Min: 70 U.S. Gal. (265 liters)

Product Weight

EU60, EU65: 310 lb. (141 kg)
EY50, EY55: 310 lb. (141 kg)

EW15, EW20: 290 lb. (132 kg)
EY40, EY45: 290 lb. (132 kg)

Skirt Mounting

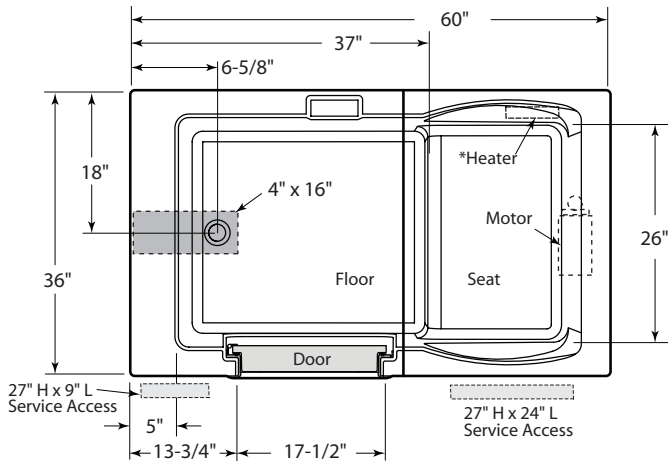
NA

Electrical Specifications (Models EU60, EU65, EY50, EY55 only)

Motor/Pump and RapidHeat™: 120 VAC, 20 AMP, 60 Hz.

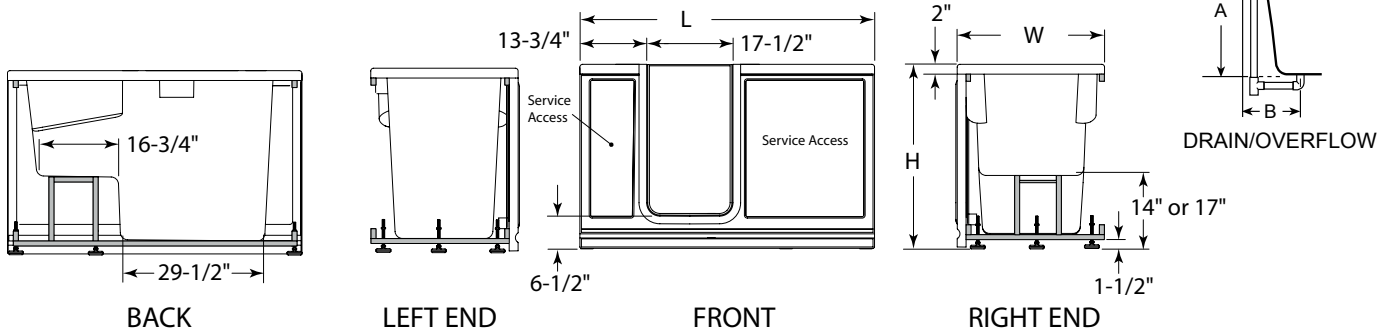
Heater

RapidHeat™: P/N BN60000
*(Models EU60, EU65, EY50, EY55 only)



Finestra™ 6036 Walk-In 14" Seat Whirlpool Bath Left Hand (EU60) shown.

* Measurements inside unit represent cutout in floor to allow for drain/overflow. Minimum service access dimensions given.



SPECIFICATIONS

Ordering Information

Product Code:

EW35 Finestra™ 6036 Walk-In 14" Seat Salon™ Spa Bath, Left Hand

EW40 Finestra™ 6036 Walk-In 14" Seat Salon™ Spa Bath, Right Hand

EY70 Finestra™ 6036 Walk-In 17" Seat Salon™ Spa Bath, Left Hand

EY75 Finestra™ 6036 Walk-In 17" Seat Salon™ Spa Bath, Right Hand

- Left and Right Hand drain locations
- Standard drain kit, No. FB48827
- Accessories / Hardware:
 - Remote Drain Kit: #FC30XXX
 - Pillow: #EK91959
- Trim Kit Finishes Available:
 - Standard Part No. BN21XXX
 - (827) - Chrome
 - (829) - Bright Brass
 - (898) - Brushed Chrome
 - (826) - Brushed Nickel
 - (845) - Oil-Rubbed Bronze
 - (805) - Platinum
 - (815) - Satin Nickel

Installation Notes

Refer to installation instructions included with fixture before beginning installation. Please confirm product availability and specifications before commencing with any installation work.

PRODUCT SPECIFICATIONS AND AVAILABILITY ARE SUBJECT TO CHANGE WITHOUT NOTICE.

Technical Specifications

Dimensions

60" L x 30" W x 38-1/2" H
(1524 mm) L x (762 mm) W x (977.9 mm) H

Drain/Overflow

A: 31-1/2" (800 mm) B: 11-11/16" (297 mm)

Cutout

NA

Total Weight

EW35, EW40: 370 lb. (168 kg)

EY70, EY75: 370 lb. (168 kg)

Operating Gallonage

Max: 85 U.S. Gal. (322 liters)

Min: 70 U.S. Gal. (265 liters)

Product Weight

EW35, EW40: 320 lb. (145 kg)

EY70, EY75: 320 lb. (145 kg)

Skirt Mounting

NA

Electrical Specifications

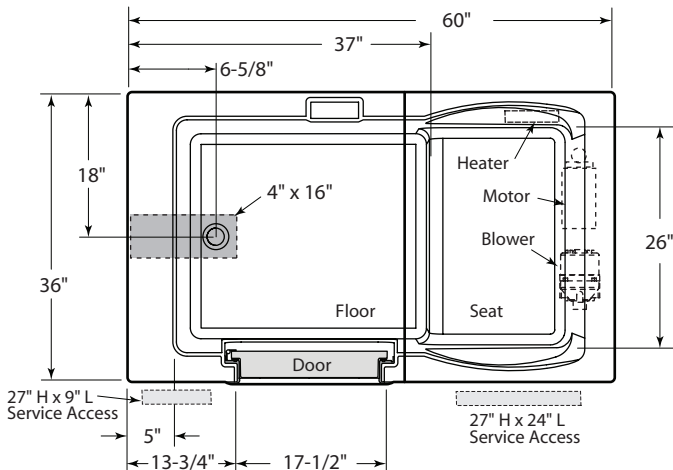
Requires two separate GFCI protected circuits.

Motor/Pump and RapidHeat™: 230 VAC, 20 AMP, 60 Hz.

Blower: 120 VAC, 15 AMP, 60 Hz.

Heater (Standard)

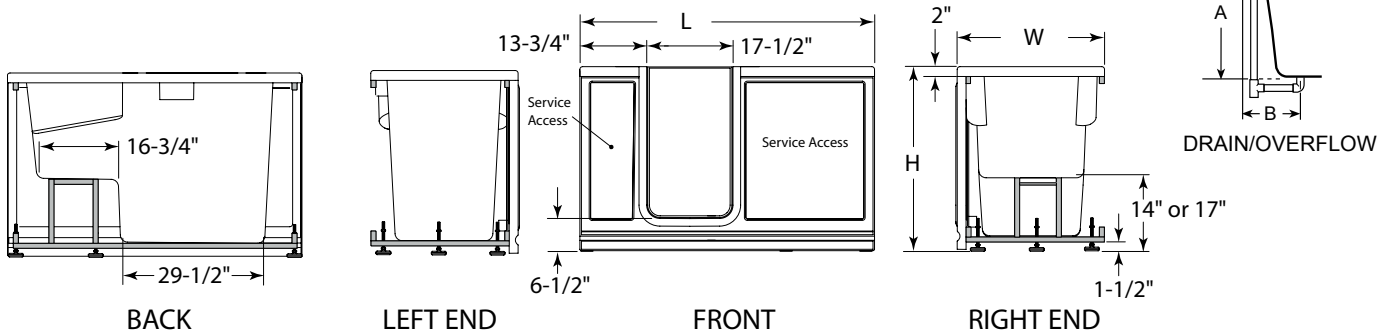
RapidHeat™: P/N BN60000



Finestra™ 6036 Walk-In 14" Seat Salon™ Spa Bath Left Hand (EW35) shown.

* Measurements inside unit represent cutout in floor to allow for drain/overflow.

Minimum service access dimensions given.



SPECIFICATIONS

Ordering Information

Product Code:

EW25 Finestra™ 6036 Walk-In 14" Seat Pure Air Bath, Left Hand

EW30 Finestra™ 6036 Walk-In 14" Seat Pure Air Bath, Right Hand

EY60 Finestra™ 6036 Walk-In 17" Seat Pure Air Bath, Left Hand

EY65 Finestra™ 6036 Walk-In 17" Seat Pure Air Bath, Right Hand

- Left and Right Hand drain locations
- Standard drain kit, No. FB48827
- Accessories / Hardware:
 - Remote Drain Kit: #FC30XXX
 - Pillow: #EK91959
- Trim Kit Finishes Available:
 - Standard Part No. BN21XXX
 - (827) – Chrome
 - (829) – Bright Brass
 - (898) – Brushed Chrome
 - (826) – Brushed Nickel
 - (845) – Oil-Rubbed Bronze
 - (805) – Platinum
 - (815) – Satin Nickel

Installation Notes

Refer to installation instructions included with fixture before beginning installation. Please confirm product availability and specifications before commencing with any installation work.

PRODUCT SPECIFICATIONS AND AVAILABILITY ARE SUBJECT TO CHANGE WITHOUT NOTICE.

Technical Specifications

Dimensions

60" L x 30" W x 38-1/2" H
(1524 mm) L x (762 mm) W x (977.9 mm) H

Drain/Overflow

A: 31-1/2" (800 mm) B: 11-11/16" (297 mm)

Cutout

NA

Total Weight

EW25, EW30: 350 lb. (159 kg)

EY60, EY65: 350 lb. (159 kg)

Operating Gallonage

Max: 85 U.S. Gal. (322 liters)

Min: 70 U.S. Gal. (265 liters)

Product Weight

EW25, EW30: 300 lb. (136 kg)

EY60, EY65: 300 lb. (136 kg)

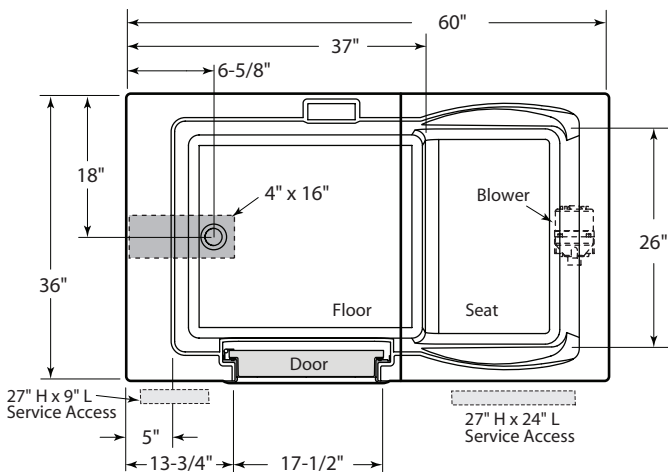
Skirt Mounting

NA

Electrical Specifications

Requires a dedicated GFCI protected separate circuit.

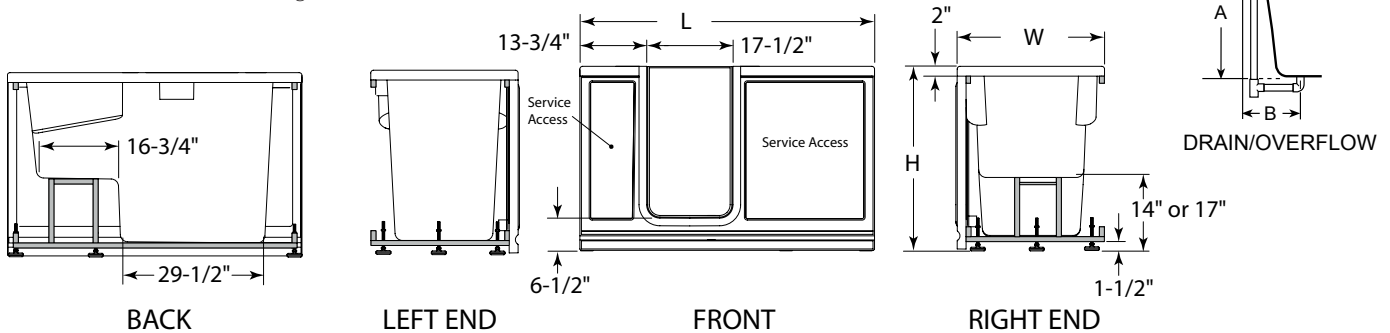
Blower: 115 VAC, 15 AMP, 60 Hz.



Finestra™ 6036 Walk-In 14" Seat Pure Air Bath Left Hand (EW25) shown.

* Measurements inside unit represent cutout in floor to allow for drain/overflow.

Minimum service access dimensions given.



INSTALLATION

Framing and Support

The drain/overflow of the bath extends below the bottom of the bath. Note that this requires a cutout in the floor.

The floor structure beneath the bath must be able to support a total weight of bath, water, and bather. For the total weight of the unit, please refer to the specification sheet for your model (pages 5 to 11). The unit must be supported from the bottom of the bath and not from the bath rim or tile flange. If the subfloor is level and a continuous surface, no other preparation is necessary. You can proceed to install the bath. If the subfloor is not level, you **MUST** make sure that the level legs are making contact with the subfloor and that the unit is perfectly leveled. Both sides of a joint or splice of subfloor should be level to each other. **When attaching baths with flanges to stud wall, use shims to fill any gaps between the bath flange and studs, please refer to figure below, Optional Tile Flange Kit.**

The rim of the bath is not designed to support weight. If finish material is to overlap or contact the bath, the added weight must be fully self-supporting.

The protective film liner inside the bath is used to prevent damage to the finish during installation. Before installation, remove liner to inspect for any defects, reapply and do not remove until final cleanup.

IMPORTANT: If a skirt is to be used, it must be installed at the time of unit installation – refer to skirt installation instructions. Install optional trim parts when all installation has been completed.

In some cases, access may not have been provided because of the design of the bath environment and having full understanding that in this case, it may be necessary to remove the unit for service.

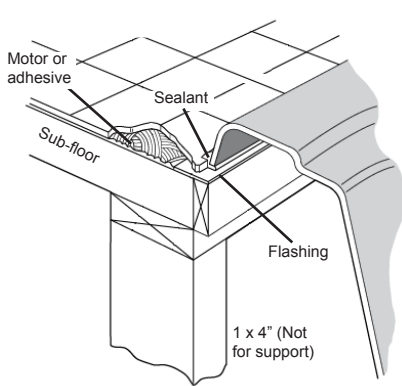
If this is the case, diagnosing a problem may not be possible without complete access to the plumbing system. This would necessitate the removal of the unit. Although this practice is not commonly implemented, it is an acceptable method.

If service access has not been provided, it is the home owners responsibility to remove the bath and provide the required access, should a repair become necessary.

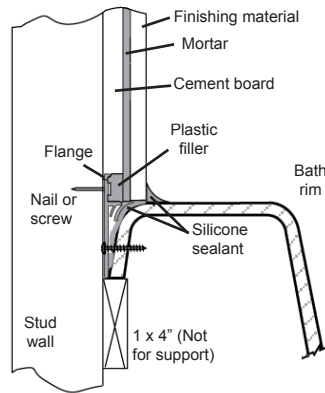
Service Access

Allow for access to service connections. It is the installer's responsibility to provide sufficient service access. The recommended minimum 18 inches allowable for service to the bath are shown in the "Service Access" illustration.

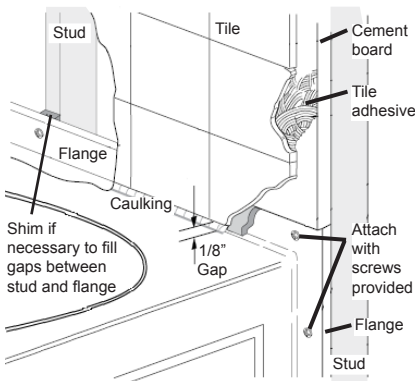
Provide adequate area around unit for air circulation for cooling the motor and to supply sufficient air to the jets. Do not insulate this area or around motor.



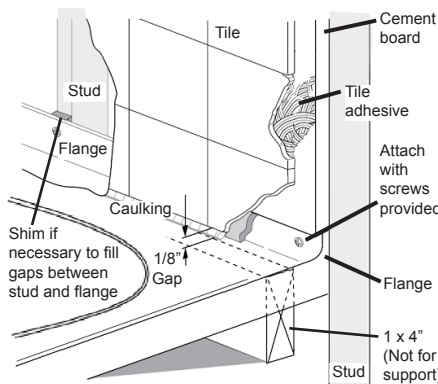
SEMI-SUNKEN



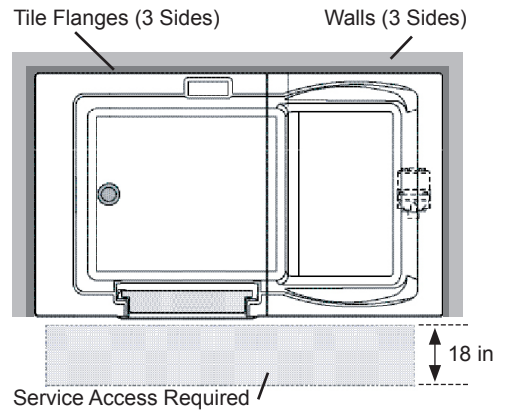
OPTIONAL TILE FLANGE KIT



INTEGRAL SKIRTED VERSION



DROP-IN (3-Wall tile flange)



THREE-WALL NICH (Top View) WITH SERVICE ACCESS

CAUTION: When installing Finestra in a three-wall niche, an approved tile flange kit must be used or a factory-installed flange.

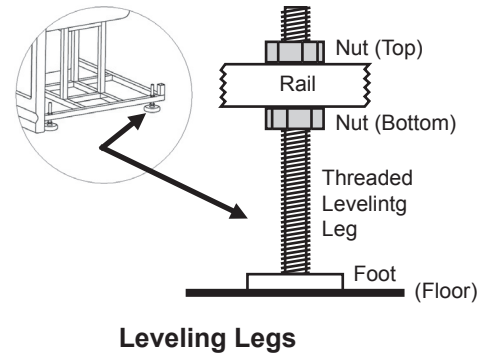
LEVEL ADJUSTMENT

The Finestra comes factory pre-leveled however the floor may require a need to make adjustment. The leveling legs operate in a manner as those in a washer-dryer.

NOTE: It is important check the level prior to water testing. The unit must be level for water testing as this helps with the door seal alignment.

If it is necessary to level the bath, start by leveling the outside four legs, then move to the two legs on the door. The unit is preleveled prior to shipment and should not be tampered with if not required.

CAUTION: Under no circumstances will it be necessary to remove the levelling feet.



ELECTRICAL CONNECTIONS

All circuits must be protected by a dedicated Ground Fault Circuit Interrupter (GFCI). Refer to the electrical specification for each model on pages 5-11. Install duplex outlets to the studwall underneath the bathtub, at least 4 inches (102 mm) above the floor or in accordance with local building or electrical codes. Duplex outlets are not provided. Because these units are manufactured with an electronic control panel, no remote switch or timer is necessary.

With a #8 solid copper wire, bond the heater to the house electrical panel or approved local bond. A bonding lug is provided on the heater. With another #8 solid copper wire, bond the pump/motor to the house electrical panel or approved local bond. A bonding lug is provided on the pump/motor.

At initial start-up and before each use thereafter with power ON, push the dedicated GFCI test button on each circuit. The reset button should pop out. Push this button in to reset. If the interrupter fails to operate in this manner, there is a ground current flowing or a device malfunction, indicating the possibility of electrical shock. **Turn off power and do not use the bath until the source of the problem has been identified and corrected.**

⚠ DANGER: RISK OF ELECTRIC SHOCK. Connect only to a circuit protected by a dedicated Ground Fault Circuit Interrupter (GFCI).

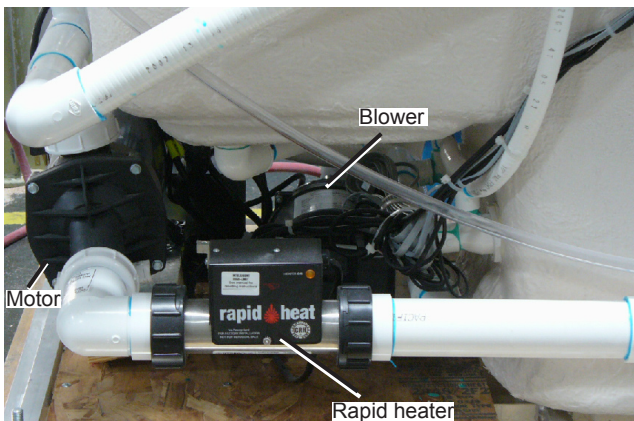
⚠ CAUTION: Operating the motor/pump without enough water in the bath can cause leaking and permanent damage to the pump. Before power is applied to the installation, make sure the switch is in the OFF position to avoid pump damage.

It is necessary to install separate dedicated GFCI protected circuits for both duplex receptacles (not provided).

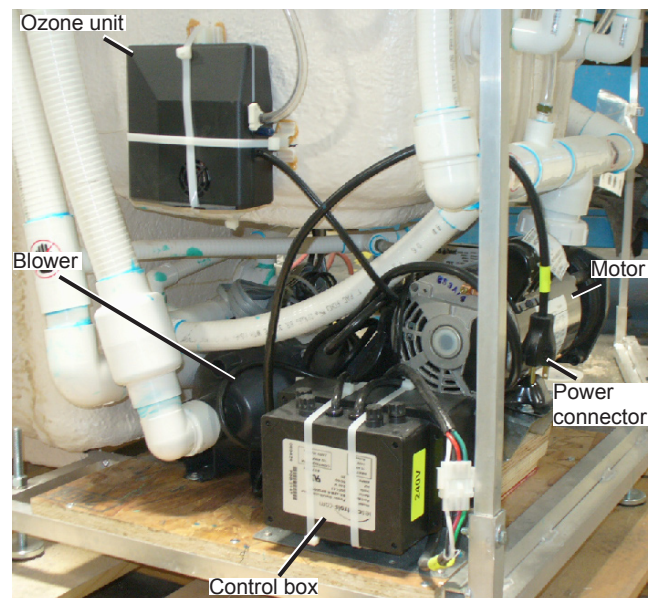
ELECTRICAL CONNECTION

1. The motor is connector the the Control Box.
2. The Control Box is connected to the Ozone unit.
3. The Ozone unit is connected to the power receptacle.

NOTE: The heater is connected independently.



Right side of unit



Left side of unit

PLUMBLING AND WATER SUPPLY

Drain Information

A drain/overflow assembly provided with the tub must be installed on the bath, water tested, and connected to the sanitary system of the house. After opening the carton, inspect for damage and verify that the kit is of the proper finish. In the Jacuzzi Whirlpool Bath drain/overflow kit, note that the waste flange, strainer, overflow cover and cover screws are packaged in a separate package within the kit to protect the trim finish. Follow the installation instructions provided with the drain/overflow kit. After the drain is fully installed, test for proper drainage. If the unit does not drain properly, rectify this condition before proceeding with the installation. Jacuzzi Whirlpool Bath is not responsible for removal or reinstallation costs.

NOTE: Watertight installation of the drain is the installer's responsibility. Drain leakage is excluded from the Jacuzzi Whirlpool Bath warranty of this product.

Plumbing

Pump, jets, and suction fittings for the whirlpool system are factory plumbed in schedule 40 PVC piping.

All Jacuzzi Whirlpool Bath products are factory tested for proper operation and watertight connections prior to shipping. If leaks are detected, notify your Jacuzzi Whirlpool Bath dealer. Do not install the unit.


Anti-Siphon Valve

Optional Anti-Siphon valve installation. Anti-Siphon valve is not supplied with the tub. Consult your local plumbing code requirements for the minimum height above the tub rim.

Water Supply

Consult local authorities for plumbing code requirements in your area.

IMPORTANT: Proper installation of the fill spout plumbing and compliance with local codes are the responsibility of the installer. Jacuzzi Whirlpool Bath does not warrant connections of water supply fittings and piping, fill systems, or drain/overflow systems. Nor is it responsible for damage to the bath which occurs during installation.

 **CAUTION:** A nonflammable protective barrier must be placed between soldering work and bath unit to prevent damage to the bath.

Shower Information

Because of the Walk-In baths' unique design, a rigid shower door cannot readily be installed. If a shower is desired, we recommend a hand-held shower be installed in conjunction with a shower curtain, as this will allow the user to control the direction of the spray.

NOTE: Proper installation of a shower is the responsibility of the installer. Jacuzzi Whirlpool Bath is not responsible for damage to the unit or for water damage which might occur due to its installation.

Clean-Up After Installation

To avoid dulling and scratching the surface of the bath, never use abrasive cleaners. A mild liquid detergent and warm water will clean soiled surfaces. Remove spilled plaster with a wood or plastic edge. Metal tools will scratch the surface. Spots left by plaster or grout can be removed if lightly rubbed with detergent on a damp cloth or sponge.

NOTE: Paint, tar, or other difficult surface stains can be removed with paint thinner, turpentine, or isopropyl alcohol (rubbing alcohol).

Minor scratches which do not penetrate the color finish can be removed by lightly sanding with 600-grit wet/dry sandpaper. You can restore the glossy finish to the acrylic surface of the bath with a special compound, Meguiar's #10 Mirror Glaze. If that is not available, use automotive rubbing compound followed by an application of automotive paste wax.

Major scratches and gouges which penetrate the acrylic surface will require refinishing. Ask your Jacuzzi Whirlpool Bath dealer for special instructions or visit our web site at <http://www.jacuzzi.com/>.

Drain Kits

Rotary Drain Kit. A PVC Rotary Drain Kit comes with a 43 inch cable length, please see the manufacturer's instructions included with the kit.

Remote Drain Kit. An optional PVC Remote Drain Kit comes with a 50 inch cable length, please see the manufacturer's instructions included with the kit. A template will be provided.

OPERATION

NOTE: These instructions pertain to all bath products manufactured by Jacuzzi Whirlpool Bath. Not all features discussed in this instruction pamphlet apply to all baths.

All baths manufactured by Jacuzzi Whirlpool Bath are designed for “fill and drain,” which means the bath should be drained after each use and filled with fresh water by the next bather. This is a health precaution, as these baths are not designed to hold water continuously like pools or spas. If you want a unit designed to continuously hold water, see your Jacuzzi Whirlpool Bath dealer for the complete line of whirlpool spas available.

Once the bath is installed, remove any residue or foreign materials left over from construction.

NOTE: Use these chemicals only on SURFACE stains. Other dirt can be cleaned off with a mild liquid detergent on a damp cloth. Scrape off plaster with a wooden or plastic edge; **do not use metal scrapers, wire brushes or other metal tools, as they will damage the bath's surface.**

Water Level

Close the drain and fill the bath until water is at least 1” to 2” (2.5 to 5.08 cm) above the highest jet (see water line indicated in the illustration). Do not turn on the whirlpool system at any time if the jets are not completely immersed in water. Do not immerse the control panel by overfilling the bath. Running the whirlpool system when there is insufficient water in the bath could result in water spraying outside the bath area. Running the whirlpool system without water will damage the recirculating pump.

IMPORTANT: When exiting the bath, the water level will drop below the jets which could result in water being sprayed out of the unit. To prevent this, **you must turn unit off before exiting bath.**

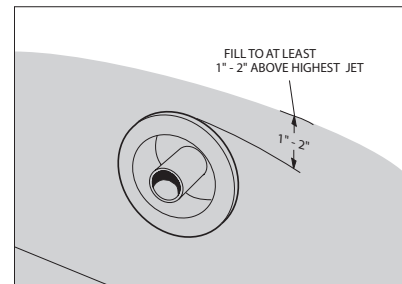
Controlling Whirlpool Action

The whirlpool action in your bath, controlled manually and electronically, is influenced by three factors – direction of flow, force of water, and force of air. Every bath manufactured by Jacuzzi Whirlpool Bath that is equipped with fully adjustable PowerPro® jets, are manually adjustable for direction and water force. Some baths have additional jets which can be adjusted for direction only. Baths equipped with 2 speed motors and electronic controls can also influence water force and force of air.

DIRECTION: To change the direction of the water flow, swivel the jet nozzle to the desired angle. The jets can be directed individually toward any location on your body to provide a hydromassage. The jets can also be adjusted so that they all point in the same direction (clockwise or counterclockwise) to circulate the water in a circular motion around the bath, causing a total whirlpool effect.

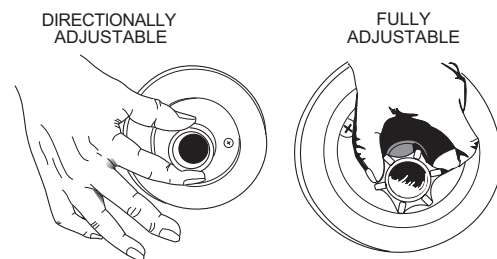
WATER FORCE: The high volume, fully adjustable PowerPro® jets can be manually adjusted to control the force of the water coming into the bath. For robust action, increase the force of the flow by rotating the jet handles to the left (counterclockwise). For a more gentle effect, rotate

the handles to the right (clockwise). Customize water force by lowering water volume of one (1) jet(s) to increase water force in another jet(s). In units with 2 speed motors the water force can be increased or decreased using the electronic control. **Never run the whirlpool system with all the jets closed.**



FORCE OF AIR: For units with electronic controls the Force of Air is controlled electronically. Refer to the Electronic Control Panel instructions for details in adjusting Force of Air. Units with manual controls are discussed on page 22.

JETS



CONTROL PANEL OPERATION

All tubs in this product line come with electronic controls and standard Chromotherapy. Read and follow the operation instructions for the control system of your unit.

General Functions

This Jacuzzi tub is equipped with an electronic control panel. The seven button panel controls a two speed pump/motor, Chromotherapy lighting, air controls, wave control, and in some units the blower. LED lights (in the control panel) indicate function levels. When switching between functions, the LED for the inactive functions will dim and the active function will brighten.

The bath is equipped with a water level sensor(s). When the water level is **below** the sensor, the pump/motor can not be activated. If the ON/OFF pump/motor button is pressed at this time, the pump/motor will not operate. When the water goes above the water level sensor, the pump/motor can be activated. If the water level drops below the level sensor, the pump/motor will shut **OFF**. To restart the pump/motor after the water level goes above the level sensor, the ON/OFF pump/motor button must be pressed. The pump/motor will automatically shut off 30 minutes after the pump/motor was turned on.

NOTE: Ensure the water level sensor located inside the bath is free of any soap or dirt buildup.



Pump/Motor Switch (ON/OFF)

Pressing the button will turn ON the two speed pump/motor at HIGH speed. Pressing a second time will turn OFF the pump/motor. To change speeds use the Toggle buttons.



Pump/Motor Status LED

When the pump/motor is ON at HIGH speed all four LED indicator lights will be lit. When the pump/motor is ON at LOW speed the bottom LED indicator light will be lit.



Left Air Valve Switch

Pressing this button will activate the left air valves using the Toggle buttons to increase/decrease air flow to the left set of jets. The air flow can be adjusted from no air to maximum air.



Left Air Valve Status LED

The Left Air Valve Status LED will show four LED lights at maximum air and only one LED light when the air is turned OFF. Each additional LED indicates more air flow.



Right Air Valve Switch

Pressing this button will activate the right air valves. Use the Toggle buttons to increase/decrease air flow to the right set of jets. The air flow can be adjusted from no air to maximum air.



Right Air Valve Status LED

The Right Air Valve Status LED will show four LED lights at maximum air and only one LED light when the air is turned OFF. Each additional LED indicates more air flow.



Bath Light Switch (ON/OFF)

Pressing this button will turn ON the white bath light(s). Pressing the Toggle buttons at this time will increase or decrease light intensity.

Pressing the button a second time will access the saved favorite color. To cycle lighting colors use the Toggle button. Pressing the Toggle button again will stop the light cycling. The color displayed when the cycle has been stopped will be saved as your favorite color.

Pressing the button a third time to turn OFF the light.



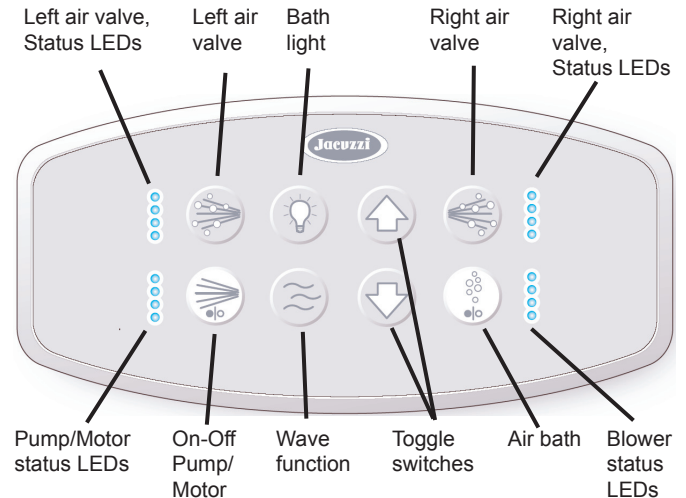
Wave Function Switch (ON/OFF)

Pressing this button activates wave action by opening and closing air valves. Pressing a second time will turn OFF the wave action.

When pressing this button after pressing the Pump/Motor button or the Air Valve button, the wave action will work on both Right and Left Air valves.

NOTE: When switching between functions, the LED for the inactive functions will dim and the active function will brighten.

Control Panel Switches



Air Bath Switch

Pressing this button will activate the blower using the Toggle buttons to increase/decrease air flow from the blower. Blower air can be adjusted from low air to maximum air.



Air Bath Status LED

The Air Bath Status LED will show four LED lights at maximum air and only one LED light when the air is turned OFF. Each additional LED indicates more air flow.



Toggle Switches

The Toggle buttons, up and down, act on each of the other switches to increase, decrease, or modify functionality. Use the up arrow to increase and the down arrow to decrease.



- Pressing a toggle button after pressing the Pump/Motor button will increase or decrease speeds on the Pump/Motor. If the pump/motor is on HIGH speed press the down arrow to select LOW speed. If the pump/motor is on LOW speed press the up arrow to select HIGH speed.
- Pressing an up or down toggle button after pressing the Bath Light button once will increase or decrease the white light brightness. Pressing an up or down toggle button after pressing the Bath Light button twice will begin cycling the light colors.

Leave the colors cycling or press the same toggle button again to stop the color cycling.

With the lights stopped on a color pressing the Bath Light button a third time will turn OFF the light. (A favorite color will be saved ONLY when the cycling has been stopped on that color and then turned OFF.)

(Continued)

(Continued)

- Pressing a toggle button after pressing both the Pump/Motor button first and then the Wave Function button will increase or decrease wave action on both air valves.

Pressing a toggle button after pressing either Air Valve buttons increase or decrease wave action on that air valve.

- Pressing a toggle button after pressing the Air Bath Switch increase or decrease the air flow through the bottom air channels

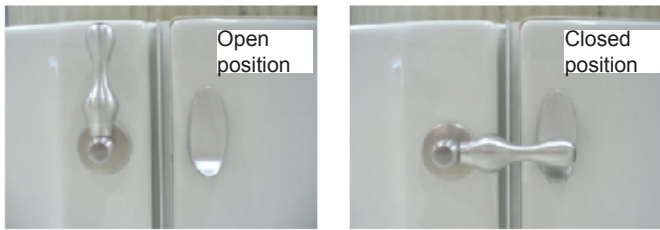
NOTE: When switching between functions, the LED for the inactive functions will dim and the active function will brighten.

PROPER DOOR CLOSURE

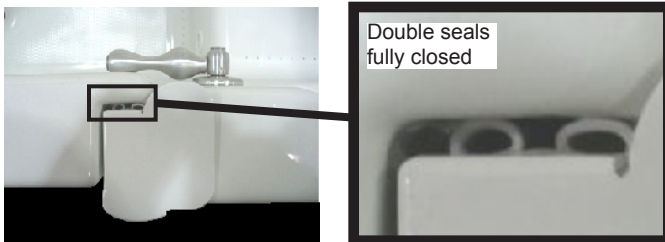
The door uses a magnetic seal with a handle to fasten the door and a rubber strip with a double seal. The following instructions provide details on how to make sure the proper seal is achieved and on the use of the door handle. Proper closure will prevent any water leakage.

WARNING: The equipment uses a magnetic seal on the door that is capable of pinching your fingers in the door. The magnetic door is perfectly safe, but may affect a health device as a pacemaker if either the edge of the door or the inside edge of the door frame come in direct contact with the immediate area of the device.

The door opens towards the inside of the bath. Note the open and closed positions of the door handle are illustrated. Use the handle to fasten the door to reinforce proper closure. The magnetic strip along the edge of the door and the inside edge of the door frame is unseen, and ensures a proper seal.



Use of Door Handle



Door is closed (see detail at right) Detail of double seals closed

Check Seal Closure

The rubber strip with a double seal will prevent leakage and also provide a visual check before filling the bath with water. The figure shows the rubber strip in a fully closed position. The view shows the rubber seal from the top.

NOTE: The rubber strip has a double seal. When the door is open the seals are open (left); with the door closed, the seals are closed (right).

RAPIDHEAT™

These units have a RapidHeat™ heater installed on the intake or discharge lines. **The heater will help maintain the temperature of the water in the bath.** RapidHeat™ requires a separate dedicated 120 VAC, 15 A GFCI receptacle.

Operation

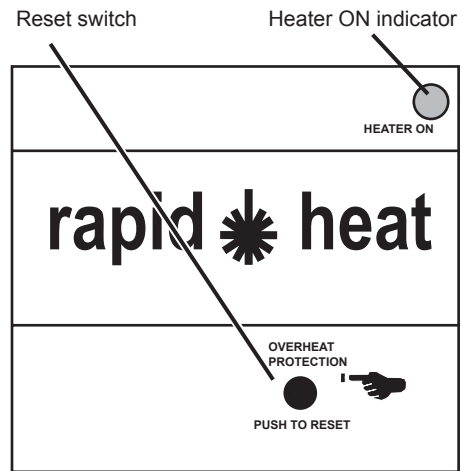
With the heater installed and the whirlpool pump is operating, the heating function is totally automatic. No user control required.

Vacuum/Pressure Switch

The heater is equipped with a preset vacuum/pressure switch which will not allow the heater to turn ON if the pump is not running with water flowing through the whirlpool system.

High-Limit Switch

The heater includes an exclusive High-Limit switch. This safety circuit will not false trip from hot tap water. It will only turn off the heater if the thermostat fails. To reset, press the button.



Rapid Heat Controls

If the high-limit trips frequently, contact your Authorized Electrical/Mechanical Service Provider. Visit our web site at <http://www.jacuzzi.com/>.

To find service agent listings for:

Electrical or Mechanical Repairs visit <http://jacuzzi.com/pdf/ASA.PDF>

Finish, Surface, or Shell-Related Repairs visit <http://jacuzzi.com/pdf/AFC.PDF>

Repair Parts or Accessories visit <http://jacuzzi.com/pdf/MPD.PDF>

PrO³ Ozone Sanitation System

The unit has a PrO³ Ozone Sanitation System installed. The ozone generator is set to operate as follows.

At the time the power is initiated, the ozone operates for thirty minutes, and then it will automatically shut off. Thereafter, every four hours, the ozone will operate for thirty minutes automatically and continuously.

NOTE: A soft noise is produced by the pump during operation of the equipment.

To Set Timer

Determine the best time for the ozone generator to operate. The ozone generator should be programmed to operate when the air bath is not in use. Six hours before use, interrupt the power to the air bath at the dedicated GFCI circuit breaker. Be sure to observe all safety precautions. When the dedicated GFCI circuit comes back on, the system is activated and the ozone timer is set to begin a regular cycle as scheduled.

CAUTION: In the event of a power outage, the timer period will need to be reset.

MAINTENANCE

Cleaning the Bath

To clean your bath, simply use a mild, nonabrasive liquid detergent solution. You can protect and restore the gloss to a dulled acrylic surface by applying Meguiar's #10 Mirror Glaze, a product specifically designed for use on acrylic finishes. If Meguiar's is not available, an acrylic polish of equal quality or automotive paste wax is acceptable.

Never use abrasive household cleaners on any Jacuzzi Whirlpool Bath product.

Repairs to the Surface

Minor scratches which do not penetrate the color finish can be removed by lightly sanding with 600-grit wet/dry sandpaper. Restore the gloss using Meguiar's Mirror Glaze or automotive paste wax.

Major scratches and gouges which penetrate the acrylic surface will require refinishing. Ask your Jacuzzi Whirlpool Bath dealer for special instructions.

Bath Additives

NOTE: Do not use oil or oil-based bath additives.

If you want to use any kind of bath additive, use only a small amount of low-foaming powder or crystal substance; the whirlpool action intensifies the foaming properties of soaps.

The use of certain bath oils, bubble baths and bath additives may increase the level of accumulations of bath residue in the whirlpool system. If excess accumulations persist, you should discontinue use of these products.

Purging the Whirlpool System


NOTE: The Whirlpool System should be purged at least twice a month.

To remove accumulations of bath residue from the whirlpool system, it is recommended that a whirlpool bath be purged at least twice a month. For best results, however, we recommend that you purge your whirlpool bath after each use using, Systems Clean™, our exclusive two-part plumbing system cleaner made specifically for whirlpool baths.

Systems Clean™ is available through an authorized Jacuzzi Whirlpool Bath distributor or by calling us direct at 1-800-288-4002.

Systems Clean™ Instructions


Refer to the instructions on the Systems Clean™ packet.

 **CAUTION:** Do not use while bathing! Use extreme caution when handling this product!

Immediately after bathing and exiting the whirlpool bath, leave the bath water in the tub and add more hot water. The water level in the tub must be at least 2" (5,08 cm) above the highest jet.

NOTE: Inducted air from the hydromassage system will cause the Systems Clean™ contents to foam increasing odor.

Turn OFF the whirlpool air control or turn it to the lowest setting and pour in the entire contents of PACKET #1 ONLY directly into the bath water. For best results, pour the System Clean into the tub near the intake for the circulation pump and be sure to avoid contact with your skin. Allow the whirlpool to run for 30 seconds and then add PACKET #2 ONLY. **It is important to use Packet #1 before Packet #2 to avoid a strong odor.** Allow the bath to run for 5 to 10 minutes then drain the tub completely. Refill the tub with cold water and run for 2 to 3 minutes. Drain completely and rinse off any residue. Remember to reset the air valves to your bathing comfort level.

 **DANGER:** Harmful if swallowed. Eye irritant. Protect your eyes, skin and mucus membranes from contact with this product or its concentrated solution. A strong alkaline product can cause severe burns to the eyes and skin.

If you have followed the standard purging instructions above and still have an excess accumulation of bath residue and desire an alternative cleaning mechanism, we recommend **SUPER SYSTEMS CLEAN™ PLUS** manufactured by Stearns Packaging to rectify this condition. This may be obtained by contacting us at 1-800-288-4002. It is recommended that you follow the instructions provided by the manufacturer with the product. Repeated use may be necessary. **SUPER SYSTEMS CLEAN™ PLUS** does not replace the necessity to regularly purge your whirlpool system with Systems Clean™ as recommended.


Ozone Maintenance

The PrO³ Ozone Sanitation System is a maintenance-free system. All that is required is the regular system cleaning using the Systems Clean™ as directed.

MAINTENANCE

Suction/Intake Cover/Strainer Maintenance

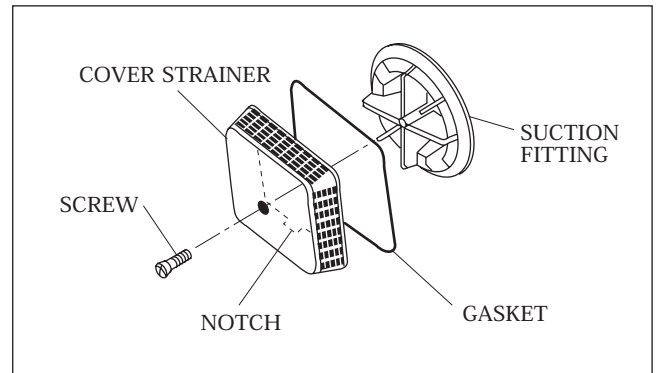
Clean the suction/intake cover/strainer of hair and debris when necessary. To do this, remove the center screw and detach the square cover. Clean the cover by backflushing debris from the holes. Replace the suction/intake cover immediately after cleaning. Be careful not to overtighten the screw. When reinstalling, orient the cover/strainer with the small notch at the bottom. The gasket must be inserted into the groove of the cover/strainer before reinstalling onto the suction fitting.

 **CAUTION:** Keep hair a minimum of 6 inches (15.2 cm) away from the suction/intake fitting at all times when the whirlpool system is operating. Hair longer than shoulder length should be secured close to the head, or a bathing cap should be worn. Do not operate the whirlpool system with the suction/intake cover removed! It is a safety device and must always be in place on the suction fitting to minimize the potential hazard of hair and/or body entrapment.

Interconnection of Airbath, Whirlpool, and Salon Baths

The interconnection of the airbath, whirlpool bath, and salon bath is shown in the following figures.

SUCTION COVER/STRAINER ASSEMBLY



AIRBATH INTERCONNECTION DIAGRAM

The Airbath equipment is shown in the following figure. It shows the only acceptable manner in which the system components may be interconnected for efficient and safe operation. If the equipment is not configured as shown in the figure, the equipment may not operate or it may result in damage to the equipment

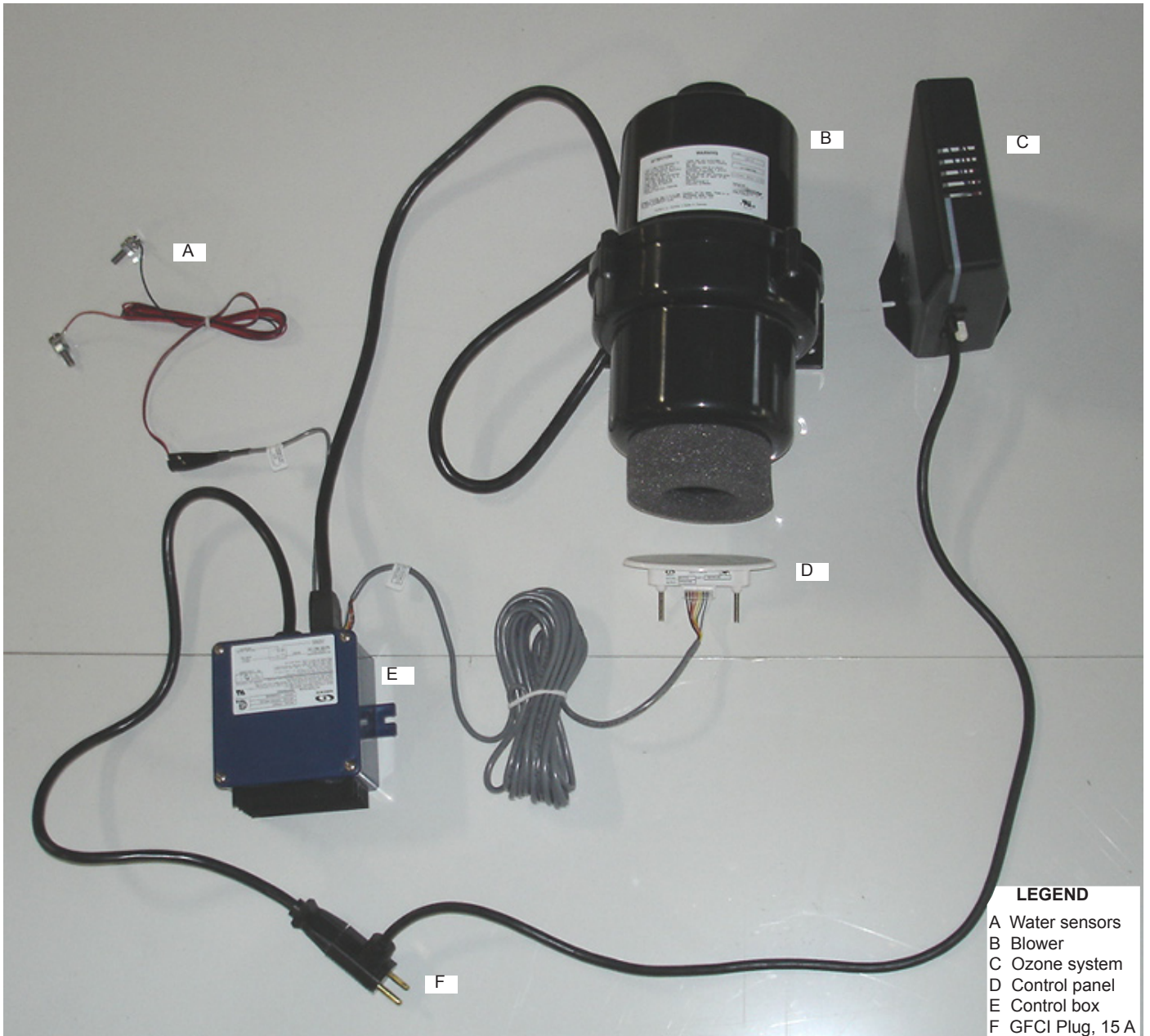
MODEL NUMBERS

EV95, EW00, EW25, EW30,
EY20, EY25, EY60, and EY75

See Specifications for details

ELECTRICAL SPECS

Requires a separate dedicated GFCI protected circuit
Blower: 115 VAC, 15 A, 60 Hz



WHIRLPOOL BATH INTERCONNECTION DIAGRAM

The Whirlpool bath equipment is shown in the following figure. It shows the only acceptable manner in which the system components may be interconnected for efficient and safe operation. If the equipment is not configured as shown in the figure, the equipment may not operate or it may result in damage to the equipment

MODEL NUMBERS

EU50, EU55, EU60, EU65,
EY10, EY15, EY50, and EY55,

See Specifications for details

ELECTRICAL SPECS

Requires a separate dedicated GFCI protected circuit
RapidHeat, 120 VAC, 20 A, 60 Hz

PN BN60000 (EU60, EU65, EY50, and EY55 only)



SALON BATH INTERCONNECTION DIAGRAM

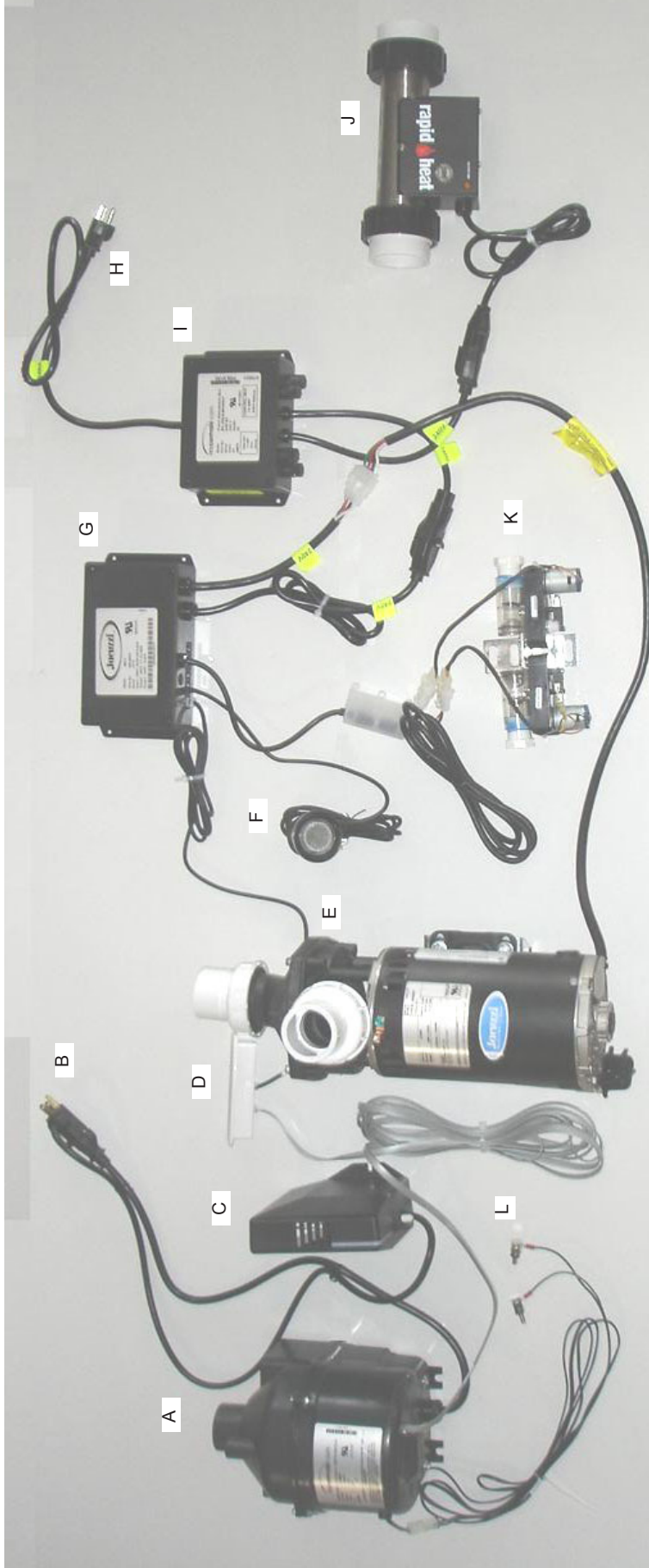
The Salon bath equipment is shown in the following figure. It shows the only acceptable manner in which the system components may be interconnected for efficient and safe operation. If the equipment is not configured as shown in the figure, the equipment may not operate or it may result in damage to the equipment

MODEL NUMBERS

EW05, EW10, EW30, EW35, EW40, EY30, EY35, EY70, and EY75
See Specifications for details

ELECTRICAL SPECS

Requires two separate dedicated GFCI protected separate circuits Motor/Pump and RapidHeat, 230 VAC, 20 A, 60 Hz RapidHeat, PN BN60000



LEGEND

- A Blower
 - B GFCI Receptacle, 15 A*
 - C Ozone system
 - D Control panel
 - E Pump/motor
 - F Chromatherapy light
 - G Control box
 - H GFCI Plug, 230 V, 20 A**
 - I Fuse box
 - J RapidHeat™
 - K Electronic air switch
 - L Water sensors
- *Plug into separate dedicated GFCI receptacle
**Plug into separate GFCI protected breaker

TROUBLESHOOTING GUIDE

PROBLEM	PROBABLE CAUSES	REMEDY
Pump/motor does not start	<p>No power to pump/motor</p> <p>Pump/motor not plugged in</p> <p>Pump/motor faulty</p> <p>Jets are closed</p> <p>Control panel cable disconnected</p> <p>Dirty water sensor</p>	<p>Reset dedicated GFCI</p> <p>Insert plug fully into the control box motor connector</p> <p>Replace pump/motor assembly</p> <p>Open jets by rotating counterclockwise</p> <p>Check the control cable between the control panel and the control box. Reconnect if necessary</p> <p>Damage or disconnected cable at water sensor, water too pure</p>
Pump/motor operates but no fully adjustable jets are functioning	Suction cover may be clogged	With motor turned off, remove safety cover and remove any debris. Clean thoroughly before replacing. Replace suction cover before operating
Pump/motor operates but air is not injected into water	Air valves are closed	Use electronic controls to open air valves. Reset air valves to allow air flow
Water leakage from pump unions	Overtightened; O-ring may be pinched or improperly seated; under tightened	Untighten unions to check and reseal O-ring. If O-ring has been pinched out of shape, replace (see phone number below. When tightening union nuts, hand tighten only
Pump/motor shuts off by itself before set time elapses	<p>Motor thermal protection has deactivated pump/motor due to overheating (Supply voltage low)</p> <p>Dedicated GFCI tripped</p> <p>Inadequate supply wiring</p>	<p>Let motor cool; thermal protection will reset. Check for proper ventilation (Check supply voltage)</p> <p>Reset dedicated GFCI. If it continues to trip, do not use this unit. Disconnect the unit and have problem corrected by a licensed electrician before using</p> <p>Consult a licensed electrician to correct wiring to unit</p>
Control panel not responding	No power to control box	Power down the system by either unplugging the unit or shutting off the power at the house breaker panel. Wait 15 seconds then power back up. Retry the system by activating the feature that was not responding
Lighting does not work	Cable disconnected or broken	Unplug and reconnect cable from the control box to the light. Replace the cable
Door does not seal properly	<p>Door is not properly closed</p> <p>Improperly leveled legs</p> <p>Seal is dirty or particles are on the seal</p>	<p>Make sure the latches are engaged</p> <p>Make sure bath is level</p> <p>Clean seal with a non-alcohol cleaner</p>

NOTE: If unit is within the warranty period, contact Jacuzzi Whirlpool Bath Service Support at 1-800-288-4002 with bath's serial number before work is started. The serial number is located on the specification/serial number plate (see Page 25)

AUTHORIZED SERVICE

If you need a referral for a service company near you, or need assistance with operation or maintenance related questions, please call our Service Support Department at 1-800-288-4002. Visit our web site at <http://www.jacuzzi.com/> for products, services, and an on-line copy of these Installation and Operation Instructions.

To find service agent listings for:

Electrical or Mechanical Repairs visit <http://jacuzzi.com/pdf/ASA.PDF>

Finish, Surface, or Shell-Related Repairs visit <http://jacuzzi.com/pdf/AFC.PDF>

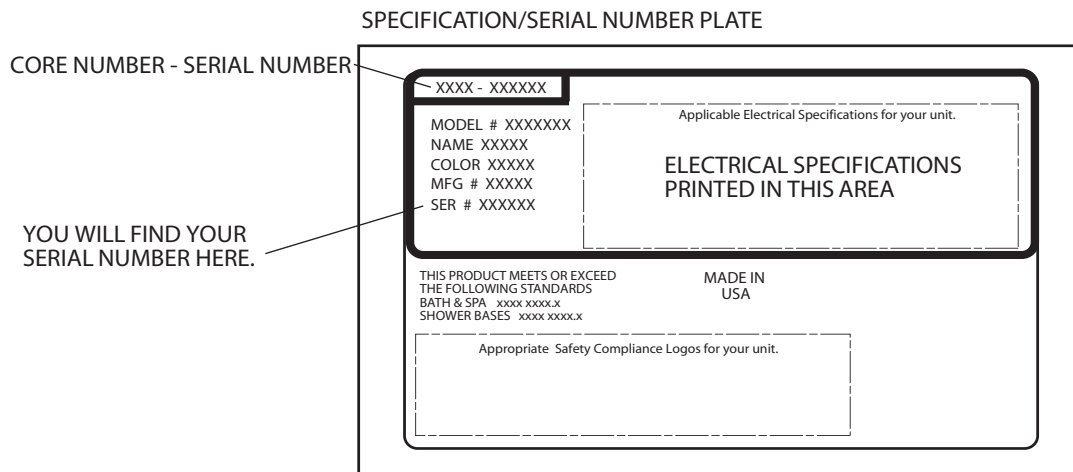
Repair Parts or Accessories visit <http://jacuzzi.com/pdf/MPD.PDF>

When requesting service or technical assistance please have available both the model and serial number of your unit. This information can be obtained from the product registration card provided with your unit. If the card has been misplaced, this information can be obtained from the specification/serial number label on the unit itself (for location of specification/serial number label see below).

BATH PRODUCTS

Whirlpool baths: The label is located on the wall of the bath near the pump/motor.

Non-jetted baths: The label is located next to the overflow.



PRODUCT SPECIFICATIONS ARE SUBJECT TO CHANGE WITHOUT NOTICE
USE INSTALLATION INSTRUCTIONS SUPPLIED WITH PRODUCT

Jacuzzi Whirlpool Bath has obtained applicable code (standards) listings generally available on a national basis for products of this type. It is the responsibility of the installer/owner to determine specific local code compliance prior to installation of the product. Jacuzzi Whirlpool Bath makes no representation or warranty regarding, and will not be responsible for any code compliance.

Jacuzzi Whirlpool Bath
14525 Monte Vista Avenue
Chino, California 91710

THIS PAGE INTENTIONALLY LEFT BLANK

Limited Lifetime Warranty

on Jacuzzi Branded Baths for the Comfort, Comfort Plus,
Pure Air[®], Luxury, Salon[™] Spa, and Pure Air[®] II Collections

WARRANTY COVERAGE

Jacuzzi Whirlpool Bath (the "Company") offers the following expressed limited lifetime warranty to the original purchaser of any Jacuzzi[®] Whirlpool Bath products provided in the Company's Comfort, Comfort Plus, Pure Air[®], Pure Air[®] II, and Luxury[™] collections ("Bath") who purchases the Bath for personal or single family residential use ("user"): The Company will repair or replace, at its sole option, the Bath or its equipment in accordance with the following terms and conditions. The warranty does not apply to non-branded Bath products manufactured by the Company.

LIFETIME WARRANTY ON BATHS

The Company extends to the user of the Bath a non-transferable limited lifetime warranty that the shell will maintain its structural integrity and configuration and be free of water loss due to a defect in the tub shell. This warranty covers only the tub shell and the manufacturer installed pump, jets, controls, and blower against defects in material or workmanship. This warranty does not apply to any display models or to any options or accessories which are covered under our limited ninety (90) day warranty set forth below. Warranty coverage begins on the date the unit was originally purchased by the user and upon receipt by the Company of a completely filled out Warranty Registration Card as described below.

2 YEAR LABOR WARRANTY FOR ALL FACTORY INSTALLED COMPONENTS:

Our limited labor warranty is for a period of **Two (2) Years** from the date the unit was originally purchased by the user, but not more than Three (3) Years from date of manufacture. All factory installed components (e.g., pump, motor, blower, and plumbing) are covered under our labor warranty against failure due to defects in materials and workmanship.

NINETY DAY (PARTS ONLY) LIMITED WARRANTY ON OPTIONS AND ACCESSORIES

Our limited warranty on options and accessories is for ninety (90) days for parts only. Our warranty covers options and accessories manufactured (e.g., fill spout kits, trim kits, skirts, video monitors, plasma television screens, CD and MP3 players, and other music and video devices and optional heaters) against defects in material or workmanship. Warranty coverage begins on the date the option or accessory was originally purchased by the user. These items may be covered by a manufacturer's warranty which may have a longer duration than this limited warranty. Please confirm with the manufacturer the duration of the appropriate warranty for Options and Accessories.

WARRANTY LIMITATIONS

Our limited warranty does not cover defects, damage, or failure caused by the common carrier, installer, user, or other persons, pets, or rodents, or resulting from, without limitation, any of the following: careless handling (lifting unit by plumbing, abrading finish, etc.) including its own negligence; modification of any type for any reason (including modification to meet local codes); improper installation (including installation not in accordance with instructions and specifications provided with the unit); connections supplied by the installer of the equipment; improper voltage supply or unauthorized electrical modification; misuse; incorrect operation, or lack of proper routine maintenance; operation of the unit without specified minimum amount of water or at inappropriate water temperature; use of abrasive or improper cleaners; or acts of God, such as lightning, floods, earthquakes, etc.

In addition, THE COMPANY WILL NOT BE RESPONSIBLE FOR INCIDENTAL OR CONSEQUENTIAL DAMAGES or losses arising from any cause (e.g., water damage to carpet, ceiling, tiles, marble, loss of use, etc.) including its own negligence; damages to, respecting, or resulting from: plated parts when pool and/or spa chemicals are used in the unit or hard water conditions; optional bath equipment not manufactured by the Company but supplied by Dealer, installer or the Company; the unit's prior usage as an operational display; or defects that should have been discovered before installation.

This limited warranty does not include: labor, transportation, or other costs incurred in the removal and/or reinstallation of the original unit and/or installation of a replacement unit; any costs relating to obtaining access for repair; or loss of use damage, including loss of sales, profit or business advantage of any kind under any circumstances. Bath units are excluded from any warranty coverage if any addition, deletion, or modification of any kind whatsoever has been made to the unit (or to any component). Warranty coverage is provided in the United States of America and Canada only.

EXCLUSION OF IMPLIED WARRANTIES

IMPLIED WARRANTIES OF MERCHANTABILITY AND FITNESS FOR A PARTICULAR PURPOSE ARE DISCLAIMED ALTOGETHER OR TO THE FULLEST EXTENT ALLOWED BY LAW.



Jacuzzi Whirlpool Bath
14525 Monte Vista Avenue
Chino, California 91710

NOTICE: This warranty gives you specific legal rights, and you may also have other rights which vary from state to state. There are no warranties applicable to Jacuzzi Whirlpool Bath products except as expressly stated herein or as implied by applicable state and federal laws. The Company will not be responsible for any statements or representations made in any form that go beyond, are broader than or are inconsistent with any authorized literature or specifications furnished by the Company.

Some states do not allow limitations on how long an implied warranty lasts, or the exclusion or limitation of incidental or consequential damages, so the above limitations and exclusions may not apply to you.

RETURN OF WARRANTY CARD

The attached Warranty Registration Card MUST be filled out by the purchaser within thirty (30) days from purchase and received by Jacuzzi Whirlpool Bath in order for this warranty to become effective.

RESPONSIBILITIES OF OTHERS

Inspecting the unit prior to installation is the responsibility of the installer or building contractor who acts on behalf of the user. They are responsible for ensuring the unit is free of defect or damage. Notices are placed on and in the unit and on the shipping carton advising the installer of this responsibility. In the event of a problem, the unit must not be installed. *The Company is not responsible for failures or damage that could have been discovered, repaired, or avoided by proper inspection and testing (including proper water testing) prior to installation.* Damage occurring in transit is the responsibility of the carrier. The user or installer MUST open the crate and inspect the unit for damage when it is delivered. If damage is discovered, it must be reported immediately to the seller and the carrier in writing, and an inspection requested. Failure of the carrier to respond should be reported to the seller and the carrier. Your freight claims should be filed promptly thereafter.

It is the responsibility of the installer, building contractor, or user to provide access for service. The Company is not responsible for any costs relating to obtaining access for repair. The user shall bear such costs and, if appropriate, must seek recovery from the installer.

Damage occurring to the unit during installation is the responsibility of the installer and/or building contractor and damage occurring thereafter is the responsibility of the user.

Failure of any optional equipment is the sole responsibility of the equipment manufacturer except as provided above and shall not extend to or apply to any replacement parts for the Options and accessories. Any replacement parts shall be covered by the original equipment manufacturer.

The Distributor or Dealer is responsible for knowing local code requirements and notifying the installing contractor and/or user of these requirements at the time of purchase. The Company is not responsible for costs to modify any product to obtain any code approval, such as city, county, or state building codes in U.S.A. or municipal or provincial codes in Canada.

WARRANTY SERVICE

For the customer's benefit, the Company maintains a list of independent service personnel to perform required warranty service repairs. Such firms are not agents or representatives of the Company and cannot bind the Company by words or conduct.

The Company will provide the warranty service described above when the following conditions have been met: the failure is of the nature or type covered by the warranty; the user has informed an Authorized Jacuzzi Whirlpool Bath Service Agent or Warranty Service Department Representative of the nature of the problem during the warranty period; conclusive evidence (e.g., proof of purchase or installation) is provided to the foregoing by the user proving that the failure occurred or was discovered within the warranty period; an authorized independent service person or Company representative has been permitted to inspect the unit during regular business hours within a reasonable time after the problem was reported by the user.

In order to obtain warranty service, contact the nearest Jacuzzi Whirlpool Bath Authorized Service Agent (http://www.jacuzzi.com/trade/bath_product_support/repairs/) for listing. Describe the problem and the Authorized Service Agent will inspect the unit and provide the required warranty service. If you are unable to contact a Jacuzzi Whirlpool Bath Authorized Service Agent, call or write:

Jacuzzi Whirlpool Bath
Warranty Service Department
14525 Monte Vista Avenue
Chino, California 91710
Call: 1-(800) 288-4002

To obtain warranty replacement for factory-installed components for Company supplied options and accessories manufactured and supplied by the Company, call or write the above. Provide a description of the problem and proof of purchase. You will be instructed how to obtain replacements and where to return, at your expense, the failed component(s), option(s), or accessory(ies).

All replacement parts, equipment, and repairs shall assume the remaining warranty period of the part(s) replaced. The Company's warranty obligation shall be discharged upon tender of replacement or repair. The customer's refusal to accept the tender terminates the Company's warranty obligation.



Please note that the Registration Card may be completed on-line at Jacuzzi.com



**Warranty
Registration Card**

This card must be filled out and returned to the address printed on the other side within thirty (30) days from date of purchase in order for this warranty to be come effective.

Purchaser's Name _____
Purchaser's Address _____
City _____ State _____ Zip _____
Date of Purchase _____
Model Name _____
Serial Number _____
Dealer's Name _____
Dealer's Address _____

- How did you first hear about this Jacuzzi® product?
 Advertisement Article in Magazine/Newspaper
 Visited Dealer/Plumbing Supplier Yellow Pages
 Builder/Plumber/Remodeler Decorator/Architect
 Visited Retailer/Home Center Store
 Word of Mouth... Friend/Relative/Acquaintance
 Other (Please Describe) _____
- Who first gave you specific information about this product (specifications, prices, etc.)?
 Dealer/Plumbing Supplier Builder Remodeler
 Plumbing Contractor Retailer/Home Center Store
 Decorator/Architect Already Installed
- What was the main reason for purchase?
 Styling Warranty Service Product Features
 Brand Name Price Hydrotherapy
 Home Resale
 Other _____
- Who finally decided which product you would buy?
 Self Spouse Self and Spouse Together
 Other Family Member Designer/Architect
 Builder/Plumber/Remodeler Already Installed
- Who installed?
 Contractor/Plumber when remodeling
 Self/Spouse when remodeling
 Other _____
- What is the current market value of this property?
 Please estimate \$ _____
- What is the age of the head of the household?
 years
 Eljer Lasco Price Pfister Aqua Glass
 Kohler American Standard Sterling
 Other (Specify) _____
- How long did you shop before purchasing unit?
 1 day 2 months- 6 months
 2-7 days 6 months- 1 year
 1 week- 2 weeks 1 year- 2 years
 2 weeks- 4 weeks +2 years
- Approximately how long have you lived in this home?
 1 month- 2 months
 2-7 days 6 months- 1 year
 1 week- 2 weeks 1 year- 2 years
 2 weeks- 4 weeks +2 years
- Please indicate, approximately, the total annual income of your household.
 Up to \$24,999 \$50,000 to \$74,999
 \$25,000 to \$29,999 \$75,000 to \$99,999
 \$30,000 to \$39,999 \$100,000 to \$149,999
 \$40,000 to \$49,999 \$150,000 and Above
- Was your purchase process?
 Very easy Easy Difficult Very Difficult
- How technically aware were you of the patented Jacuzzi® jet system prior to your purchase?
 Not aware Somewhat aware Very aware

Ninety-Day
Parts Only
Limited Warranty
On
Accessory(ies)

Ninety-Day
Parts Only
Limited Warranty
On
Accessory(ies)

JACUZZI WHIRLPOOL BATH
FL61000B