



Designed with easy access and comfortable bathing in mind, the Finestra™ gives new meaning to independent living. Equipped with Jacuzzi® technology and a variety of safety features, everyone can now enjoy the Jacuzzi® Home Spa Experience.™

FEATURES:

- The first and only air tight magnetic door seal
- Integral seat available in 2 heights – 14" or ADA compliant 17"
- Skirt with panels for easy installation and access
- 2 fully adjustable TheraPro® Jets*
- 8 directionally adjustable AccuPro® Jets*
- RapidHeat™ inline heater*
- Chromatherapy lighting system featuring 256 colors*
- Safety features include a grab bar and slip resistant flooring
- ProO₃™ Ozone Sanitation System standard*

**Available on whirlpools*



**Finestra™ 6030
WALK-IN
WHIRLPOOL BATH**

MODEL NUMBER:

- EU50 (14" seat-LH)
- EU55 (14" seat-RH)
- EY10 (17" seat-LH)
- EY15 (17" seat-RH)

EXTERIOR DIMENSIONS:

60" long x 30" wide x 37½" high

OF JETS/TYPE OF JETS:

- 2 TheraPro® Jets
- 8 AccuPro® Jets

OPERATING GALLONS:

55-75 gallons

**Finestra™ 6030
WALK-IN
SOAKING BATH**

MODEL NUMBER:

- EV85 (14" seat-LH)
- EV90 (14" seat-RH)
- EY00 (17" seat-LH)
- EY05 (17" seat-RH)

EXTERIOR DIMENSIONS:

60" long x 30" wide x 37½" high



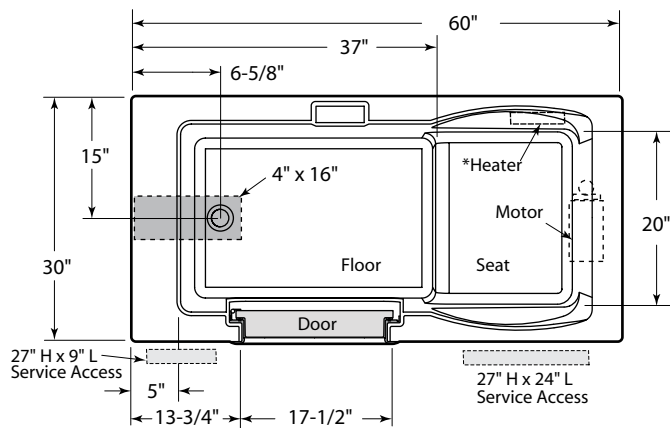
Finestra™ 6030 WALK-IN WHIRLPOOL BATH

EU50	Finestra™ 6030 Walk-In 14" Seat Whirlpool Bath, Left Hand
EU55	Finestra™ 6030 Walk-In 14" Seat Whirlpool Bath, Right Hand
EY10	Finestra™ 6030 Walk-In 17" Seat Whirlpool Bath, Left Hand
EY15	Finestra™ 6030 Walk-In 17" Seat Whirlpool Bath, Right Hand

Finestra™ 6030 WALK-IN SOAKING BATH

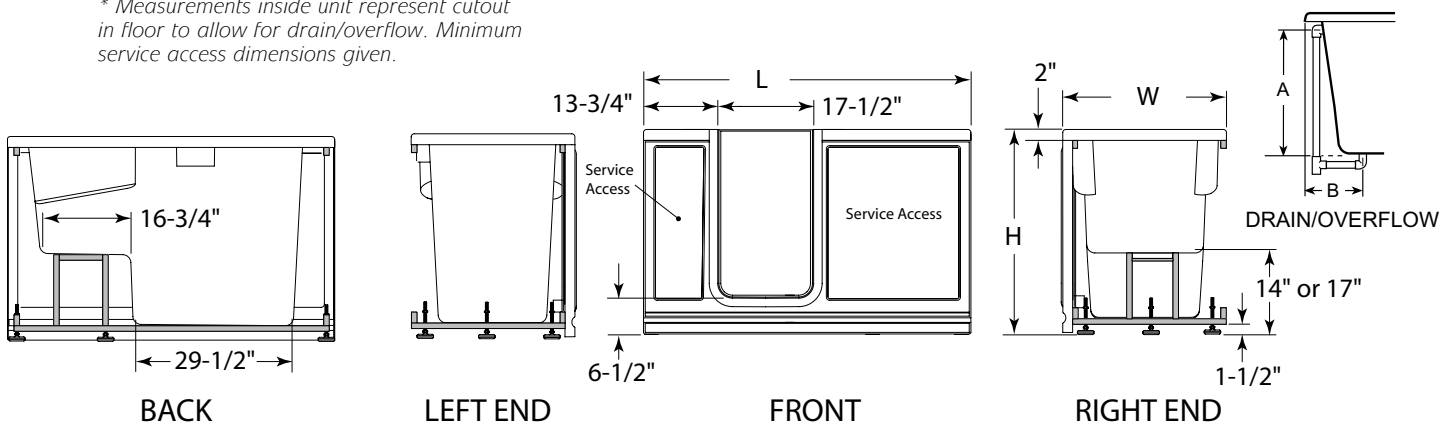
EV85	Finestra™ 6030 Walk-In 14" Seat Bath, Left Hand
EV90	Finestra™ 6030 Walk-In 14" Seat Bath, Right Hand
EY00	Finestra™ 6030 Walk-In 17" Seat Bath, Left Hand
EY05	Finestra™ 6030 Walk-In 17" Seat Bath, Right Hand

- Left and Right Hand drain locations
- Accessories / Hardware:
 - Drain Kit: #FB48000
 - Remote Drain Kit: #FC30000
 - Pillow: #EK91959
- Trim Kit Finishes Available:
 - (827) – Chrome
 - (829) – Bright Brass
 - (959) – White



Finestra™ 6030 Walk-In 14" Seat Whirlpool Bath Left Hand (EU50) shown.

* Measurements inside unit represent cutout in floor to allow for drain/overflow. Minimum service access dimensions given.



INSTALLATION NOTES

Refer to installation instructions included with fixture before beginning installation. Please confirm product availability and specifications before commencing with any installation work.

PRODUCT SPECIFICATIONS AND AVAILABILITY ARE SUBJECT TO CHANGE WITHOUT NOTICE.

Technical Specifications

DIMENSIONS

60" L x 30" W x 37-1/2" H
(1524 mm) L x (762 mm) W x (952.5 mm) H

DRAIN/OVERFLOW

A: 31-1/2" (800 mm) B: 6-5/8" (168 mm)

CUTOUT

NA

TOTAL WEIGHT

EU50, EU55: 340 lb. (154.5 kg)
EY10, EY15: 340 lb. (154.5 kg)
EV85, EV90: 310 lb. (141 kg)
EY00, EY05: 310 lb. (141 kg)

OPERATING GALLONAGE

Max: 75 U.S. Gal. (284 liters)
Min: 55 U.S. Gal. (208 liters)

PRODUCT WEIGHT

EU50, EU55: 280 lb. (127 kg)
EY10, EY15: 280 lb. (127 kg)
EV85, EV90: 260 lb. (118 kg)
EY00, EY05: 260 lb. (118 kg)

SKIRT MOUNTING

NA

ELECTRICAL SPECIFICATIONS (Models EU50, EU55, EY10, EY15 only)

Motor/Pump and RapidHeat™: 230 VAC, 20 AMP, 60 Hz.

HEATER

RapidHeat™: (P/N BN60000) comes standard on;
*(Models EU50, EU55, EY10, and EY15 only)