



Evoking the breathtaking beauty and ancient maritime tradition of the northern Italian town for which it is named, the Riva® is true to form—an elegant classic. And truly versatile—at home in both traditional and more contemporary interior design.

WHIRLPOOL BATH FEATURES:

- 4 fully adjustable TheraPro™ jets
- 4 directionally adjustable AccuPro™ jets
- RapidHeat™ in-line heater
- Electronic on/off control with temperature readout
- Air flow adjustability
- Chromatherapy underwater lighting
- PrO₃™ Ozone Sanitation System standard

Detail: The Jacuzzi Magic Touch® control system makes customizing your bath in the Riva® whirlpool bath easy. 4 massaging TheraPro™ jets soothe sore, tired muscles.

**Riva® 5
WHIRLPOOL PLUS
BATH**

MODEL NUMBER:

ES30 — Left-hand
ES40 — Right-hand

EXTERIOR DIMENSIONS:

62" long x 43" wide x
19" high

INTERIOR DIMENSIONS:

41" long x 26" wide

OF JETS/TYPE OF JETS:

4 TheraPro™ Jets,
4 AccuPro™ Lumbar Jet

OPERATING GALLONS:

49 gallons

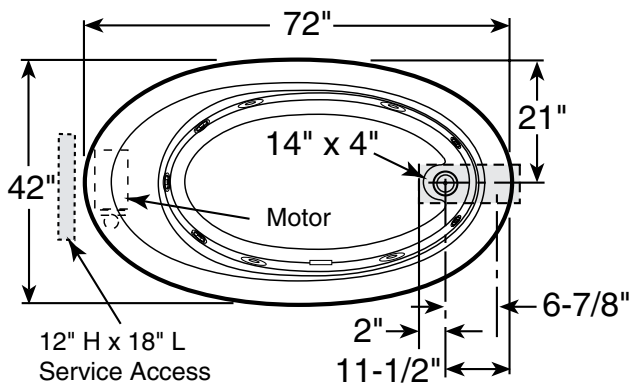




Riva® 5 WHIRLPOOL PLUS BATH

ES30	Riva 5 Whirlpool Bath, Left Hand
ES40	Riva 5 Whirlpool Bath, Right Hand

- Left and Right Hand Drain Location
- Accessories / Hardware:
 - Trim Kit: 4 HTC Jet Rings #D095
 - Rotary Drain Kit, 26" Cable #8730
 - Trim Kit: 2 BMH Jet Rings #J869
 - Trip-Lever Drain Kit: #X559
- Trim Kit Finishes Available:
 - (827) – Chrome
 - (898) – Brushed Chrome
 - (815) – Satin Nickel
 - (829) – Bright Brass
 - (805) – Platinum
 - (826) – Brushed Nickel
 - (849) – Oil Rubbed Bronze



**Product Shown: Riva® 5 Plus Whirlpool Bath
Right Hand Shown Model: ES40**

** Measurements inside unit represent cutout in floor to allow for drain/overflow.*

Minimum Service Access dimensions given.

INSTALLATION NOTES

Refer to installation instructions included with fixture before beginning installation. Please confirm product availability and specifications before commencing with any installation work.

PRODUCT SPECIFICATIONS AND AVAILABILITY ARE SUBJECT TO CHANGE WITHOUT NOTICE.

Technical Specifications

DIMENSIONS

62" L x 43" W x 19" H
(1575 mm) L x (1092 mm) W x (483 mm) H

DRAIN/OVERFLOW

A: 14-3/4" (375 mm) B: 9-1/2" (241 mm)

CUTOUT

Template Provided Part Number: P186000

TOTAL WEIGHT

779 lb (354 kg) / 44.2 lb/sq. ft. (215 kg/m²)

OPERATING GALLONAGE

49 U.S. Gal. (185 Liters)
Min. 40 U.S. Gal. (151 Liters)
Max. 58 U.S. Gal. (220 Liters)

PRODUCT WEIGHT

96 lb (44 kg)

SKIRT MOUNTING

Not Available

ELECTRICAL SPECIFICATIONS

Requires a dedicated GFCI protected separate circuit.

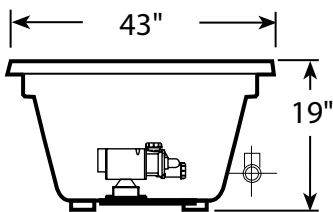
Motor/Pump: 120 VAC, 15 AMP, 60 Hz.

RapidHeat™: 120 VAC, 15 AMP, 60 Hz.

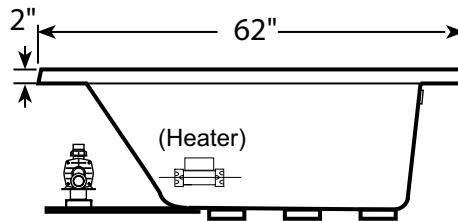
HEATER (OPTIONAL)

Requires a dedicated GFCI protected separate circuit.

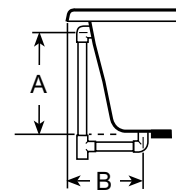
RapidHeat™: P/N S750000



SIDE VIEW



END VIEW



DRAIN/OVERFLOW