



Shown with optional faucet (EV19) and supply line/stops (EV16)

Gentle curves and romantic lines, deep bathing wells and the beauty of acrylic combine to create the Era collection of freestanding baths.

features:

- Slipper and double-ended versions available
- Edwardian claw on slipper tub
- Durable acrylic construction
- Matching drain and faucets available
- Coordinating suite includes toilet and lavatories

faucet accessory for era:

- Ceramic disk cartridge
- Solid brass construction
- Vacuum breaker in hand held shower
- 60" hose length
- Available in chrome, brushed nickel and polished brass

**era™ freestanding slipper tub**  
model number: **EU70**

exterior dimensions:  
60" long x 32" wide x 26" high  
( height includes feet )

operating gallons:  
**43 gallons**

**era™ freestanding faucet with stops**  
model number: **EV16**

**era™ freestanding wall mounted faucet**  
model number: **EV19**

**era™ drain assembly**  
model number: **EV23**

**era™ freestanding slipper tub**  
model number: **EU75**

exterior dimensions:  
69" long x 34" wide x 26" high  
( height includes feet )

operating gallons:  
**56 gallons**



Models EV16 and EV19 shown

Faucet & drain assembly sold separately





# Era™ Freestanding Slipper Tub Model: EU70 / EU75

## Ordering Information

### Product Code:

EU70 Era Slipper 6032 Soaker

EU75 Era Slipper 6934 Soaker

• End Drain Location

• Accessories / Hardware:

Era Wallmount Faucetry: # EV19

Era Floormount: # EV16

Plated Drain: # EV23

Edwardian Feet: #EV06/EV07\*

• Hardware Finishes Available:

(827) – Chrome

(829) – Bright Brass

(826) – Brushed Nickel

(959) – White\*

\* Edwardian claw only hardware available in (959) white

\*Repair part reference numbers

## Installation Notes

Refer to installation instructions included with fixture before beginning installation. Please confirm product availability and specifications before commencing with any installation work.

PRODUCT SPECIFICATIONS AND AVAILABILITY ARE SUBJECT TO CHANGE WITHOUT NOTICE.

## Technical Specifications

### Dimensions

60" L x 32" W x 26" H (EU70)

(1524 mm) L x (813 mm) W x (660 mm) H

69" L x 34" W x 24" H (EU75)

(1753 mm) L x (864 mm) W x (610 mm) H

### Drain/Overflow

A: 17.00" (432 mm) B: 13-7/8" (352 mm)

### Total Weight

467 lb. (212 kg) / 33 lb/ft<sup>2</sup> (15 kg/m<sup>2</sup>) (EU70)

580 lb. (263 kg) / 36 lb/ft<sup>2</sup> (16 kg/m<sup>2</sup>) (EU75)

### Operating Gallonage

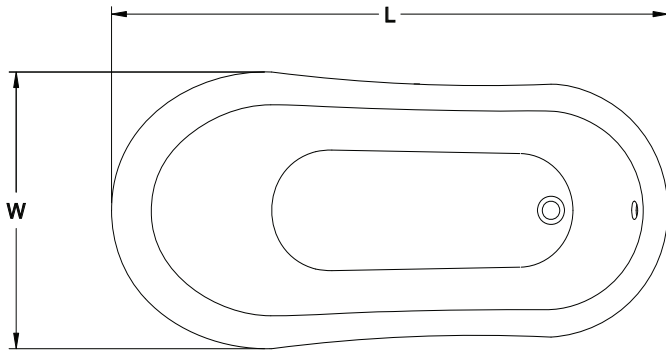
43 U.S. Gal. (20 Liters) (EU70)

56 U.S. Gal. (25 Liters) (EU75)

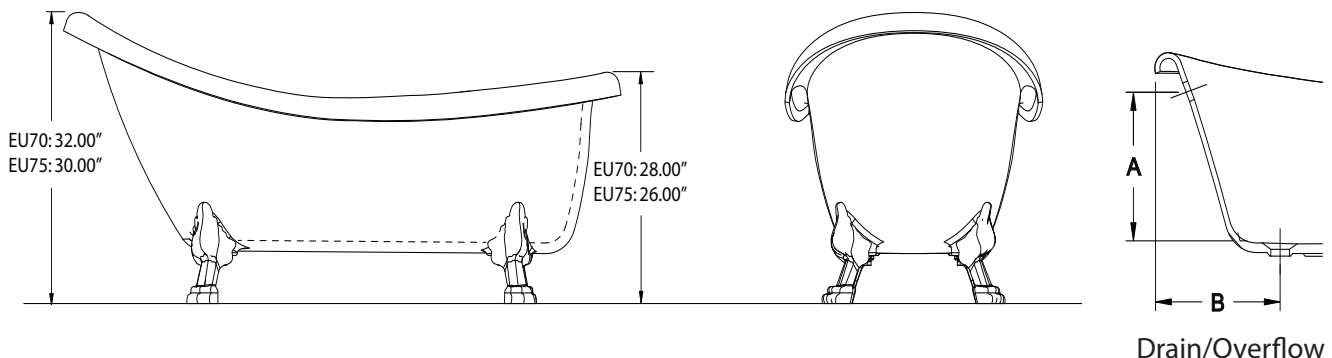
### Product Weight

110 lb. (50 kg) (EU70)

116 lb. (53 kg) (EU75)



Product Shown: Era Freestanding Slipper Soaker Model: EU75

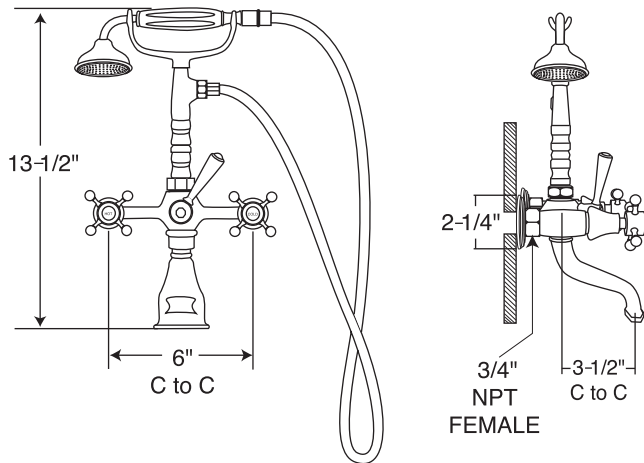




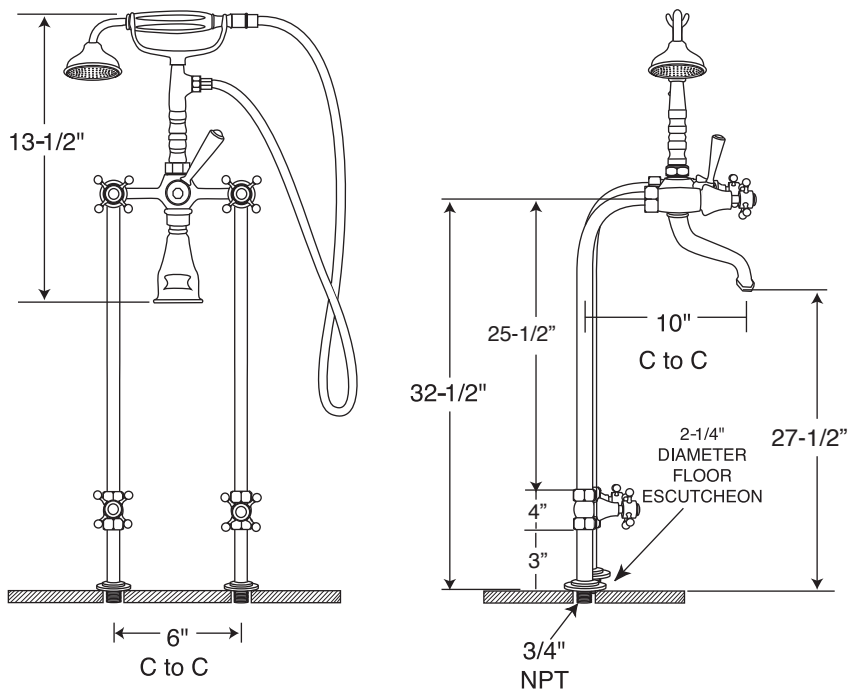
# Era Freestanding Faucet Specs

Used on EU70, EU75, EU95, & EV00

## EV16 & EV19 SPECIFICATIONS



## EV19 Era Wall Mount Faucet



## EV19 Era Faucet & EV16 Era Supply Lines