



16 Jet Illumatherapy™ model shown

Looking for a Jacuzzi® bath for two? Consider the Duetta™ — a lush, oval whirlpool designed for discerning bathers.

FEATURES:

- 4 fully adjustable TheraPro® jets
- 8 to 12 fully adjustable foot and back jets
- Available with Illumatherapy™ lighting system
- Flexible drop-in or undermount installation options
- Low-profile deck
- Multi-speed motor
- RapidHeat™ inline heater
- Chromatherapy™ lighting system capable of 256 colors
- Wave Pulse™ system
- All-in-one electronic control panel
- PrO<sub>3</sub>™ Cleansing System



**Duetta™ 6042  
WHIRLPOOL  
BATH with  
CHROMATHERAPY**

MODEL NUMBER:  
EE40 (Right-hand)

EXTERIOR DIMENSIONS:  
60" long x 42" wide x  
26" high

# OF JETS/TYPE OF JETS:  
4 TheraPro™  
8 Back Jets

OPERATING GALLONS:  
80 gallons

**Duetta™ 6042  
WHIRLPOOL  
BATH with  
ILLUMATHERAPY™**

MODEL NUMBER:  
EE45 (Right-hand)

EXTERIOR DIMENSIONS:  
60" long x 42" wide x  
26" high

# OF JETS/TYPE OF JETS:  
4 TheraPro™  
12 Back Jets

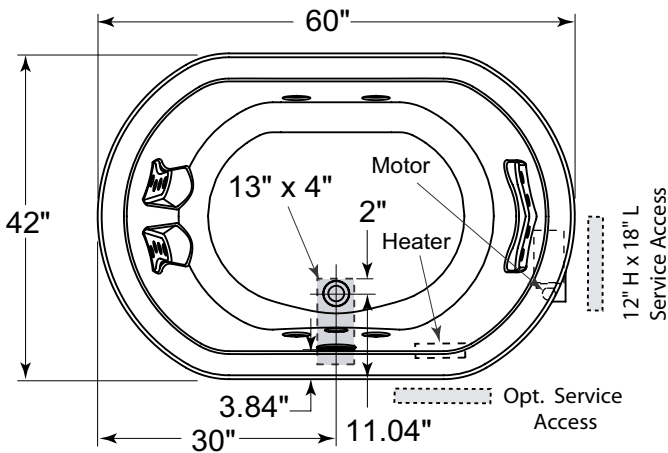
OPERATING GALLONS:  
80 gallons



## Duetta™ 6042 WHIRLPOOL BATH

<b>EE40</b>	Duetta™ 6042 Whirlpool Bath with Chromatherapy Right Hand
<b>EE45</b>	Duetta™ 6042 Whirlpool Bath with Illumatherapy™ Right Hand

- Center Drain Location
- Accessories / Hardware:
  - TheraPro Jet Rings Kit: #D095
- Trim Kit Finishes Available:
  - (827) – Chrome
  - (898) – Brushed Chrome
  - (815) – Satin Nickel
  - (829) – Bright Brass
  - (805) – Platinum
  - (826) – Brushed Nickel
  - (845) – Oil Rubbed Bronze



**Product Shown: Duetta™ 6042 Whirlpool Bath Right Hand Model: EE45**

*\* Measurements inside unit represent cutout in floor to allow for drain/overflow.*

*Minimum Service Access dimensions given.*

### INSTALLATION NOTES

Refer to installation instructions included with fixture before beginning installation. Please confirm product availability and specifications before commencing with any installation work.

PRODUCT SPECIFICATIONS AND AVAILABILITY ARE SUBJECT TO CHANGE WITHOUT NOTICE.

### Technical Specifications

#### DIMENSIONS

60" L x 42" W x 26" H  
(1524 mm) L x (1067 mm) W x (660 mm) H

#### DRAIN/OVERFLOW

A: 18.4" (467 mm) B: 11" (279 mm)

#### CUTOUT

Template Provided Part Number: DA09000

#### TOTAL WEIGHT

999 lb (453 kg) / 57.1 lb/ft<sup>2</sup> (279 kg/m<sup>2</sup>)

#### OPERATING GALLONAGE

80 U.S. Gal. (303 Liters)  
Min. 77 U.S. Gal. (291 Liters)  
Max: 83 U.S. Gal. (314 Liters)

#### PRODUCT WEIGHT

110 lb (50 kg)

#### SKIRT MOUNTING

Not Available

#### ELECTRICAL SPECIFICATIONS

**Requires a dedicated GFCI protected separate circuit.**

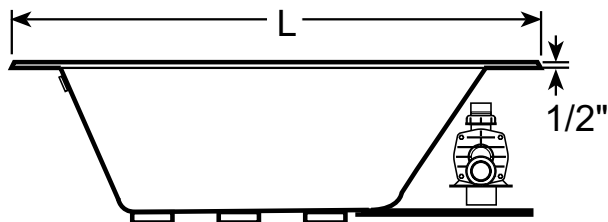
Motor/Pump: 120 VAC, 20 AMP, 60 Hz.

RapidHeat™: 120 VAC, 15 AMP, 60 Hz.

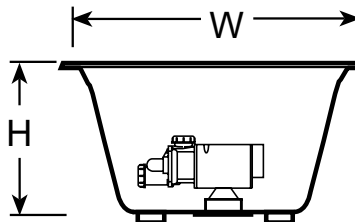
#### HEATER (STANDARD)

**Requires a dedicated GFCI protected separate circuit.**

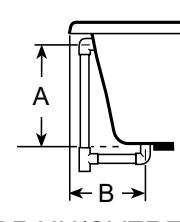
RapidHeat™: P/N S750000



**SIDE VIEW**



**END VIEW**



**DRAIN/OVERFLOW**