



Looking for a Jacuzzi® bath for two? Consider the Duetta™ Pure Air® Bath, a lush, oval air bath designed for discerning bathers.

FEATURES:

- Exclusive 360° Balanced Airflow™ system
- Flexible installation drop-in or undermount options
- 800-watt variable-speed heated-air blower
- Bottom air channels for maximum massage
- Low-profile deck
- Wave Pulse™ system
- PrO₃™ Cleansing System standard

**Duetta™ 6042
PURE AIR® BATH**

MODEL NUMBER:
GA20 (Right-hand)

EXTERIOR DIMENSIONS:
60" long x 42" wide x
26" high

OPERATING GALLONS:
53-83 gallons

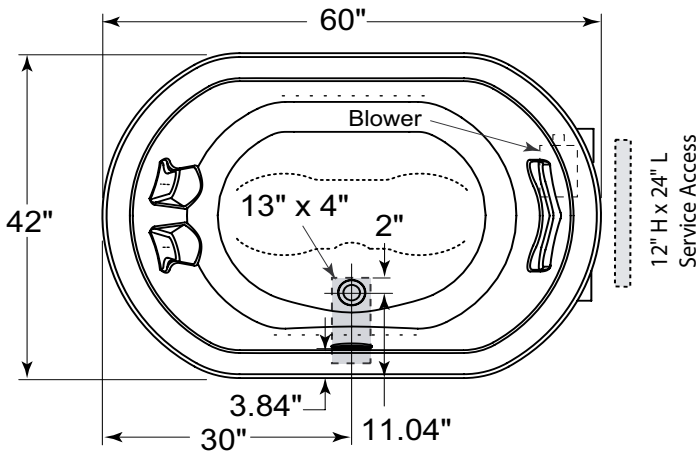




Duetta™ 6042 PURE AIR® BATH

GA20 Duetta™ 6042 Pure Air® Bath, Right Hand

- Center Drain Location
- Accessories / Hardware:
Sch 40, Rotary Drain Kit: #DA34
- Trim Kit Finishes Available:
 - (827) – Chrome
 - (898) – Brushed Chrome
 - (815) – Satin Nickel
 - (829) – Bright Brass
 - (805) – Platinum
 - (826) – Brushed Nickel
 - (845) – Oil Rubbed Bronze



Product Shown: Duetta™ 6042 Pure Air® Bath
Right Hand Model: GA20

* Measurements inside unit represent cutout in floor to allow for drain/overflow.

Minimum Service Access dimensions given.

INSTALLATION NOTES

Refer to installation instructions included with fixture before beginning installation. Please confirm product availability and specifications before commencing with any installation work.

PRODUCT SPECIFICATIONS AND AVAILABILITY ARE SUBJECT TO CHANGE WITHOUT NOTICE.

Technical Specifications

DIMENSIONS

60" L x 42" W x 26" H
(1524 mm) L x (1067 mm) W x (660 mm) H

DRAIN/OVERFLOW

A: 18.4" (467 mm) B: 11" (279 mm)

CUTOUT

Template Provided Part Number: DA09000

TOTAL WEIGHT

999 lbs (502 kg) / 57.1 lb/sq. ft. (279 kg/m²)

OPERATING GALLONAGE

Min. 53 U. S. Gal. (200 liters)

Max. 83 U.S. Gal. (314 liters)

PRODUCT WEIGHT

160 lbs (73 kg)

SKIRT MOUNTING

Not Available

ELECTRICAL SPECIFICATIONS

Requires a dedicated GFCI protected separate circuit.

Blower: 120VAC, 20AMP, 60 Hz.

HEATER (STANDARD)

No water heater is available on this unit. Blower has integral air heater.

