

cetra® 536 whirlpool bath and soaking bath (with integral skirt)

from the ancient hymns of the greek gods comes cetra®—Italian for “lyre”.



Like its namesake, the Cetra® whirlpool bath is an undeniable classic—an uncomplicated, sculptural form, perfect for settings from traditional to contemporary.

features:

- 4 fully adjustable TheraPro™ jets
- 2 AccuPro™ lumbar jets
- 2 AccuPro™ foot jets
- Sculpted armrest
- Contoured backrest
- Energy-efficient, self-draining pump
- Patented Fixed Air Flow System
- Slip-resistant bottom
- Exclusive Tru-Level™ self-leveling base system
- Integral skirt with access panels and built-in tile flange on skirted models
- Drain included on whirlpool baths

cetra® 536 whirlpool bath (with integral skirt)

model number: R090 – LH, R100 – RH

exterior dimensions:
60" long x 36" wide x 21¼" high

interior dimensions:
41½" long x 22" wide

of Jets/type of Jets:
4 TheraPro™ Jets,
2 Lumbar Jets,
2 AccuPro™ Foot Jets

operating gallons:
48 gallons

cetra® 536 soaking bath (with integral skirt)

model number: R095 – LH, R105 – RH

exterior dimensions:
60" long x 36" wide x 21¼" high

interior dimensions:
41½" long x 22" wide





Cetra® 536 Whirlpool Bath with Integral Skirt

Model: R090, R100

Cetra® 536 Bath with Integral Skirt

Model: R095, R105

Ordering Information

Product Code:

- R100 Cetra® Whirlpool Bath with Integral Skirt Right Hand
- R090 Cetra® Whirlpool Bath with Integral Skirt Left Hand
- R105 Cetra® Bath with Integral Skirt Right Hand
- R095 Cetra® Bath with Integral Skirt Left Hand

- Right and Left Hand Drain Location
- Accessories / Hardware:
 - Trip-Lever Drain Kit: #X559
 - Rotary Drain Kit, 26" Cable: #8730
 - Trim Kit: TheraPro™ Jet Rings #D095
 - Trim Kit: 2 X AccuPro Jet Rings #P556
- Trim Kit Finishes Available:
 - (827) - Chrome
 - (898) - Brushed Chrome
 - (815) - Satin Nickel
 - (829) - Bright Brass
 - (805) - Platinum
 - (826) - Brushed Nickel
 - (849) - Oil Rubbed Bronze

Installation Notes

Refer to installation instructions included with fixture before beginning installation. Please confirm product availability and specifications before commencing with any installation work.

PRODUCT SPECIFICATIONS AND AVAILABILITY ARE SUBJECT TO CHANGE WITHOUT NOTICE.

Electrical Components and Electrical Specifications do not apply to non-jetted baths.

Technical Specifications

Dimensions

60" L x 36" W x 21-1/4" H
(1524 mm) L x (914 mm) W x (540 mm) H

Drain/Overflow

A: 18-1/2" (470 mm) B: 9" (229 mm)

Cutout

Not Applicable

Total Weight

R090, R100: 742 lb (337 kg) / 50 lb/sq. ft. (242 kg/sq. m²)
R095, R105: 707 lb (321 kg) / 47 lb/sq. ft. (230 kg/sq. m²)

Operating Gallonage

48 U.S. Gal. (181 Liters)
Max. 55 Gal. (208 Liters)

Product Weight

R090, R100: 92 lb (42 kg)
R095, R105: 57 lb (26 kg)

Skirt Mounting

Integral

Electrical Specifications Models R090, R100 only

Requires a dedicated GFCI protected separate circuit.

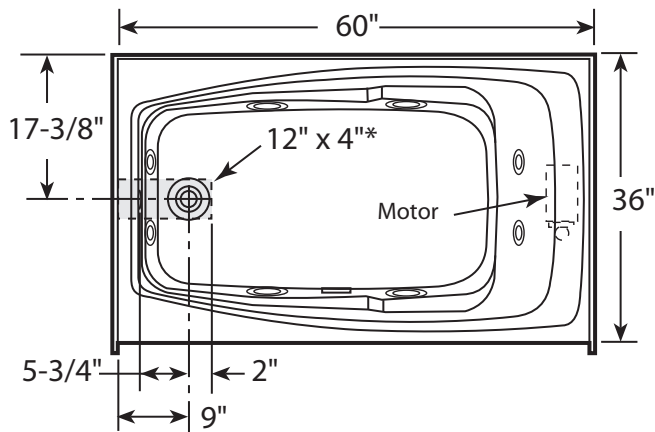
Motor/Pump: 120 VAC, 15 AMP, 60 Hz.

RapidHeat™: 120 VAC, 15 AMP, 60 Hz.

Heater (Optional) Models R090, R100 only

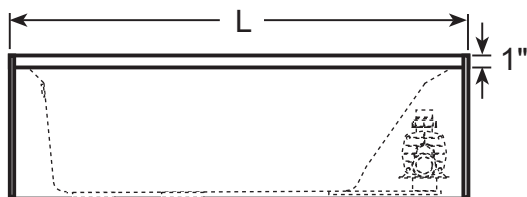
Requires a dedicated GFCI protected separate circuit.

RapidHeat™: P/N S750000

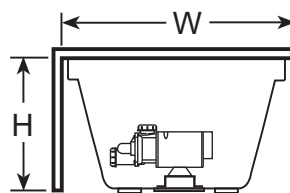


Product Shown: Cetra® 536 Whirlpool Bath with Integral Skirt Left Hand Model: R090

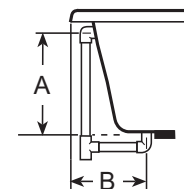
* Measurements inside unit represent cutout in floor to allow for drain/overflow.



SIDE VIEW



END VIEW



DRAIN/OVERFLOW