

cetra® 532 whirlpool bath with integral skirt

from the ancient hymns of the greek gods comes cetra—Italian for “lyre”.



Like its namesake, the Cetra® whirlpool bath is an undeniable classic—an uncomplicated, sculptural form, perfect for settings from traditional to contemporary.

whirlpool bath features:

- 4 fully adjustable TheraPro™ jets
- 2 AccuPro™ lumbar jets
- Sculpted armrest
- Contoured backrest
- Energy-efficient, self-draining pump
- Patented Fixed Air Flow System
- Slip-resistant bottom
- Exclusive Tru-Level™ self-leveling base system
- Integral skirt with access panel and built-in tile flange on skirted models
- Drain included on whirlpool baths

cetra® 532 whirlpool bath (with integral skirt)

model number: H526 – RH, H525 – LH

exterior dimensions:
60" long x 32" wide x 20½" high

interior dimensions:
37" long x 18" wide

of Jets/type of Jets:
**4 TheraPro™ Jets
2 AccuPro™ Lumbar Jets**

operating gallons:
46 gallons





Cetra® 532 Whirlpool Bath with Integral Skirt

Model: H525, H526

Ordering Information

Product Code:

H526 Cetra® 532 Whirlpool Bath with Integral Skirt Right Hand

H525 Cetra® 532 Whirlpool Bath with Integral Skirt Left Hand

- Right and Left Hand Drain Location
- Accessories / Hardware:
 - TheraPro™ Jet Rings Kit #D095
 - AccuPro™ Jet Rings Kit #P556
- Trim Kit Finishes Available:
 - (827) - Chrome
 - (898) - Brushed Chrome
 - (815) - Satin Nickel
 - (829) - Bright Brass
 - (805) - Platinum
 - (826) - Brushed Nickel
 - (849) - Oil Rubbed Bronze

Installation Notes

Refer to installation instructions included with fixture before beginning installation. Please confirm product availability and specifications before commencing with any installation work.

PRODUCT SPECIFICATIONS AND AVAILABILITY ARE SUBJECT TO CHANGE WITHOUT NOTICE.

Technical Specifications

Dimensions

60" L x 32" W x 20-1/2" H
(1524 mm) L x (813 mm) W x (521 mm) H

Drain/Overflow

A: 17-7/8" (454 mm) B: 9-3/8" (238 mm)

Cutout

58" x 30"

Total Weight

727 lb (330 kg) / 55 lb/sq. ft. (266 kg/m²)

Operating Gallonage

46 U.S. Gal. (174 Liters)

Product Weight

94 lb (43 kg)

Skirt Mounting

Integral

Electrical Specifications

Requires a dedicated GFCI protected separate circuit.

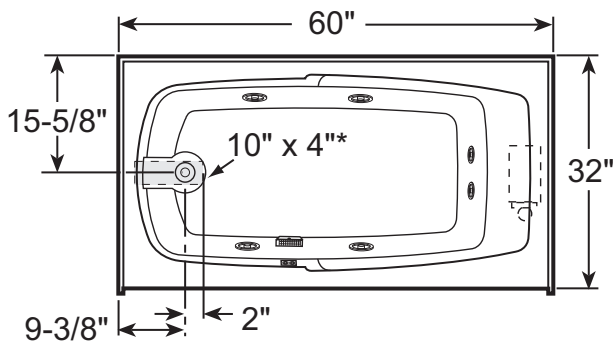
Motor/Pump: 120 VAC, 15 AMP, 60 Hz.

Rapid Heat: 120 VAC, 15 AMP, 60 Hz.

Heater (Optional)

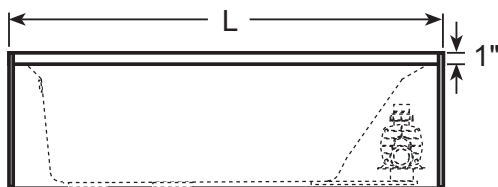
Requires a dedicated GFCI protected separate circuit.

Rapid Heat: P/N S750000

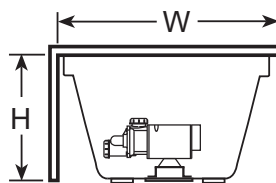


Product Shown: Cetra® 532 Whirlpool Bath with Integral Skirt Left Hand Model: H525

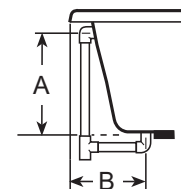
* Measurements inside unit represent cutout in floor to allow for drain/overflow.



SIDE VIEW



END VIEW



DRAIN/OVERFLOW