

# capella® 60 corner whirlpool bath and soaking bath with integral skirt

to the Italians, "la capella"—the chapel—is a sacred place. step into our capella® whirlpool, and you'll understand.



The Capella's® unique corner configuration allows for roomy relaxation.

whirlpool bath features:

- 4 fully adjustable TheraPro™ jets
- 3 directionally adjustable AccuPro™ jets
- Electronic on/off control
- Patented fixed air flow system
- Sculpted armrest and contoured backrest
- Built-in tile flange and integral skirt with access panels on skirted models
- Drain included on whirlpool baths

## capella® 60 whirlpool bath (with integral skirt)

model number: K372

exterior dimensions:  
60" long x 60" wide x 20½" high

interior dimensions:  
50" long x 34" wide(mid) x 18" wide(end)

# of Jets/type of Jets:  
4 TheraPro™ Jets,  
3 AccuPro™ Foot Jets,

operating gallons:  
60 gallons

## capella® 60 soaking bath (with integral skirt)

model number: K374

exterior dimensions:  
60" long x 60" wide x 20 ½" high

interior dimensions:  
50" long x 34" wide (mid)





# Capella® 60 Corner Whirlpool Bath w/Integral Skirt

Model: K372

# Capella® 60 Corner Bath with Integral Skirt

Model: K374

## Ordering Information

Product Code:

K372 Capella® 60 Corner Whirlpool Bath w/ Integral Skirt

RightHand

K374 Capella® 60 Corner Bath w/ Integral Skirt

- Center Drain Location
- Accessories / Hardware:
  - Trip-Lever Drain Kit: #X559
  - Rotary Drain Kit, 26" Cable: #8730
  - AccuPro™ Jet Trim Kit #D095
  - AccuPro™ Jet Trim Kit #P556
- Trim Kit Finishes Available:
  - (827) - Chrome
  - (898) - Brushed Chrome
  - (815) - Satin Nickel
  - (829) - Bright Brass
  - (805) - Platinum
  - (826) - Brushed Nickel
  - (845) - Oil Rubbed Bronze

## Installation Notes

Refer to installation instructions included with fixture before beginning installation. Please confirm product availability and specifications before commencing with any installation work.

PRODUCT SPECIFICATIONS AND AVAILABILITY ARE SUBJECT TO CHANGE WITHOUT NOTICE.

Electrical Components and Electrical Specifications do not apply to non-jetted baths.

## Technical Specifications

### Dimensions

60" L x 60" L x 20-1/2" H  
(1524 mm) L x (1524 mm) L x (521 mm) H

### Drain/Overflow

A: 18" (457 mm) B: 12-1/8" (308 mm)

### Cutout

NA

### Total Weight

K372: 880 lb (399 kg) / 35 lb/sq. ft. (172 kg/m<sup>2</sup>)  
K374: 855 lb (388 kg) / 34 lb/sq. ft. (167 kg/m<sup>2</sup>)

### Operating Gallonage

60 U.S. Gal. (227 Liters),  
Max. 90 U.S. Gal. (341 Liters)

### Product Weight

K372: 130 lb (59 kg)  
K374: 105 lb (48 kg)

### Skirt Mounting

Integral

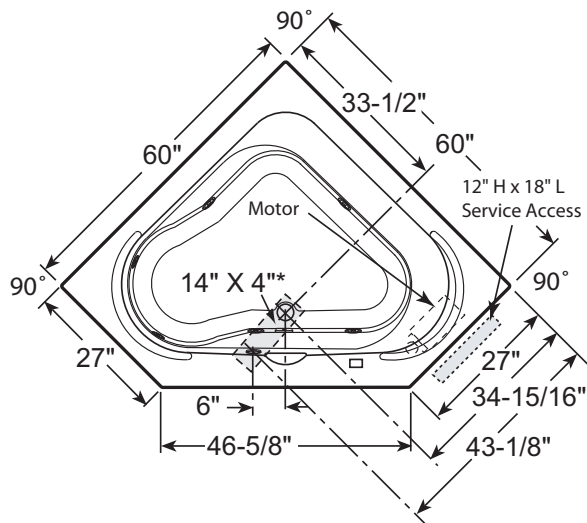
### Electrical Specifications Model K372 only

Requires a dedicated GFCI protected separate circuit.

Motor/Pump: 120 VAC, 15 AMP, 60 Hz.

### Heater

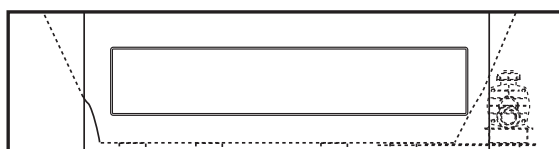
Not available



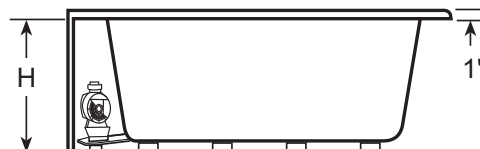
Product Shown: Capella® 60 Corner Whirlpool Bath with Integral Skirt Model: K372

\* Measurements inside unit represent cutout in floor to allow for drain/overflow.

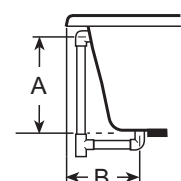
Minimum Service Access dimensions given.



FRONT VIEW



SIDE VIEW



DRAIN/OVERFLOW