

**WILLIAMSBURG ELITE™ 5' X 42" WHIRLPOOL**

Comfortable two person design with dual back support positions

- 2805E (specify White 020, Bone 021, or Linen 222)**
  - Acrylic with fiberglass reinforcement
  - 1.5 HP self-draining pump/motor with dry run seal
  - Six multi-directional and flow adjustable jets including:
    - Two high performance Ideal-flow™ Jets
    - Four interchangeable Flex-jets™
  - Two silent air volume controls
  - Deck-mounted On/Off control
  - Complete factory installed and tested whirlpool system
  
- 2805EC (specify White 020, Bone 021, or Linen 222)**
  - Same as above with the StayClean™ whirlpool system featuring Antimicrobial AlphaSan®

Nominal Dimensions: 60" x 42" x 21-1/2"  
(1524 x 1067 x 546mm)



**Components Needed:**

- Bath Filler\*: (specify finish)
- Bath Drain: BATH-DRAIN (specify Chrome 002, Polished Brass 099, or Satin 295)

**Custom Accessories Available:**

- Pulse Jet Kit: PULSE-JET (two per kit, specify White 020, Bone 021, or Linen 222)
- Soft Jet Kit: SOFT-JET (two per kit, specify White 020, Bone 021, or Linen 222)
- Williamsburg 5-Foot Apron: WBURG5-APRON (specify White 020, Bone 021, or Linen 222)
- E-Z-Install™ Whirlpool Heater - EZHEAT-100
- Tile Bead Kit: TILE-BEAD

\* See American Standard Faucet Selector

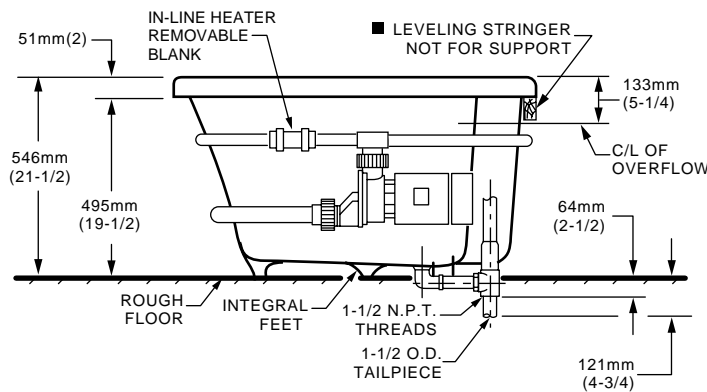
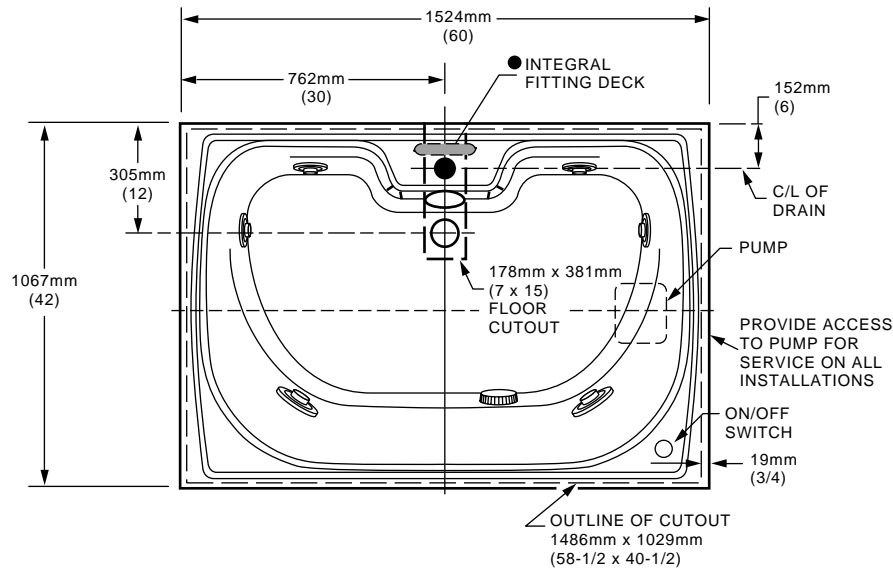
**Compliance Certifications -**

**Meets or Exceeds the Following Specifications:**

- Underwriters Laboratories - Hydromassage Bathtubs UL 1795
- ASME A112.19.7M for Whirlpool Appliances
- ANSI Z124.1 for Plastic Bathtubs
- ASTM E162 for Flammability
- NFPA 258 for Smoke Density

**NOTE:** Roughing-in dimensions and product specifications shown on reverse side of page.

NOTE: E-Z-Install™ Whirlpool Heater is designed to maintain water temperature during operation. It will not heat cold water to desired bathing temperature.



<b>GENERAL SPECIFICATIONS FOR 2805E WHIRLPOOL</b>	
INSTALLED SIZE	60 x 42 x 21-1/2 In. (1524 x 1067 x 546mm)
WEIGHT	130 Lbs. (59 Kg.)
WEIGHT w/WATER	689 Lbs. (310 Kg.)
GAL. TO OVERFLOW	64 Gal. (243 L)
WHIRLPOOL MIN. OPERATING VOL.	52 Gal. (197 L)
BATHING WELL AT SUMP	43 x 22 In. (1092 x 559mm)
BATHING WELL AT RIM	55 x 35-1/2 In. (1397 x 902mm)
WATER DEPTH TO OVERFLOW	14 In. (356mm)
FLOOR LOADING (PROJECTED AREA)	39 Lbs./Sq.Ft. (191 Kgs./Sq.m)
PTS.	27.8
CUBE (FT <sup>3</sup> )	47.4
<b>WHIRLPOOL ELECTRICAL SPECIFICATIONS</b>	
PUMP	1.6 HP, 9.7 AMPS, 120V.

**NOTES:**

BATH CAN BE INSTALLED EITHER ABOVE OR BELOW FLOOR LINE AS PIER, ISLAND, OR PENINSULA TYPE INSTALLATION. SUMP OF BATH IS SUPPORTED BY INTEGRAL FEET. NO ADDITIONAL SUPPORT REQUIRED. ENCLOSING MATERIAL BY OTHERS.

■ REFER TO INSTALLATION INSTRUCTIONS SUPPLIED WITH WHIRLPOOL FOR ADDITIONAL INFORMATION.

OPTIONAL 3- WALL TILING BEAD KIT No. TILE-BEAD AND APRON WBURG5-APRON MUST BE ORDERED SEPARATELY.

FITTINGS NOT INCLUDED AND MUST BE ORDERED SEPARATELY.

PROVIDE SUITABLE REINFORCEMENT FOR ALL SUPPORTS.

● IF INSTALLING A DECK-MOUNTED FITTING, BEFORE DRILLING ANY HOLES: CHECK FOR INTERFERENCE WITH CIRCULATING SYSTEM PIPING, DRAIN OVERFLOW. MOUNTING HOLES DRILLED BY INSTALLER.

SUPPLY PIPING NOT INCLUDED.

**IMPORTANT:** Dimensions of fixtures are nominal and may vary within the range of tolerances established by ANSI Standard Z124.1. These measurements are subject to change or cancellation. No responsibility is assumed for use of superseded or voided pages.