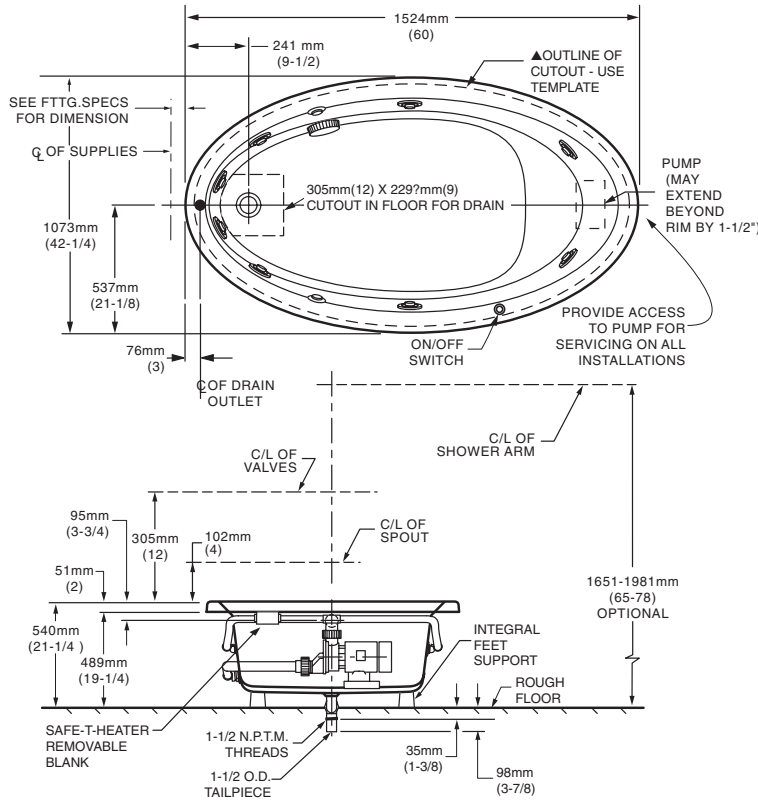


**SAVONA OVAL™**  
**HIGH GLOSS ACRYLIC**  
**SHOWN LESS ALL FITTINGS**

# 2903.XXXW SERIES WHIRLPOOL/BATHING POOL INSTALLATION INSTRUCTIONS



**THANK YOU...**

for selecting an American Standard bath. Your new bath is shipped to you after careful inspection. The whirlpool version is completely assembled with pump, motor, and system piping. All you need to finish the installation are your selected fittings and electrical connections for a whirlpool. To insure maximum performance and pleasure from this product, please follow the instructions and cautions.

- List of Optional Components (not included):**
- Safe-T-Heater 9075.120\*

- List of Required Components (not included):**
- Drain 1583.470\*
  - Bath Filler\*

\* see your American Standard Distributor

**List of Required Tools and Supplies:**

- | Tools                        | Supplies                   |
|------------------------------|----------------------------|
| • Level                      | • Nails                    |
| • Tape Measure               | • Putty                    |
| • Pipe Wrench                | • Caulking (waterproof)    |
| • Slip Joint Pliers          | • 1 x 3 or 2 x 2 Stringers |
| • Screw Driver               | • Drop Cloth               |
| • Standard Woodworking Tools | • 15 amp GFI Outlet        |
| • Personal Safety Equipment  | • Cement, Plaster, Grout   |
| • Caulking Gun               |                            |

GENERAL SPECIFICATIONS FOR 2903 WHIRLPOOL	
INSTALLED SIZE	60 x 42-1/4 x 21-1/4 In. (1524 x 1073 x 540mm)
WEIGHT	107 Lbs. (49 Kg.)
WEIGHT w/WATER	640 Lbs. (291 Kg.)
GAL. TO OVERFLOW	64 Gal. (243 L)
WHIRLPOOL MIN. OPERATING VOL.	53 Gal. (201 L)
BATHING WELL AT SUMP	45 x 23 In. (1143 x 584mm)
BATHING WELL AT RIM	53 x 32 In. (1346 x 813mm)
WATER DEPTH TO OVERFLOW	15 In. (381mm)
FLOOR LOADING (PROJECTED AREA)	35 Lbs./Sq.Ft. (166 Kgs./Sq.m)
PTS.	27.8
CUBE (FT <sup>3</sup> )	45.4
WHIRLPOOL ELECTRICAL SPECIFICATIONS	
SYSTEM I PUMP	1.6 HP, 9.7 AMPS, 120V.

**GENERAL INSTALLATION INFORMATION**

Carefully uncrate and inspect your new bath for any shipping damage. If such damage is found, report it to your vendor immediately. After inspection and during installation, protect the bath from construction damage. After installation, and before enclosing with wallboard, tile, etc., water test the unit and check for leaks. If a whirlpool, do not make modifications to the whirlpool system or remove pump from factory mounting. This could adversely affect the safety and performance of the whirlpool and void the warranty. Do not handle or move the whirlpool by the pump, motor, or piping system. Fittings (bath filler, shower arm, etc.) are not provided with the bath and must be ordered separately. Framing and enclosing materials are provided by others.

FOR AFTER-SALES SERVICE CALL 1 (800) 442-1902 WEEKDAYS.

## FRAMING AND INSTALLATION

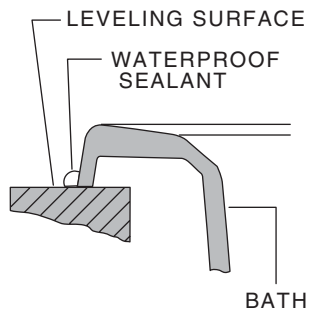
The variety of installations possible for this bath may require framing procedures other than those shown.

Locate studs as required. Insure rough dimensions are proper, plumb and square.

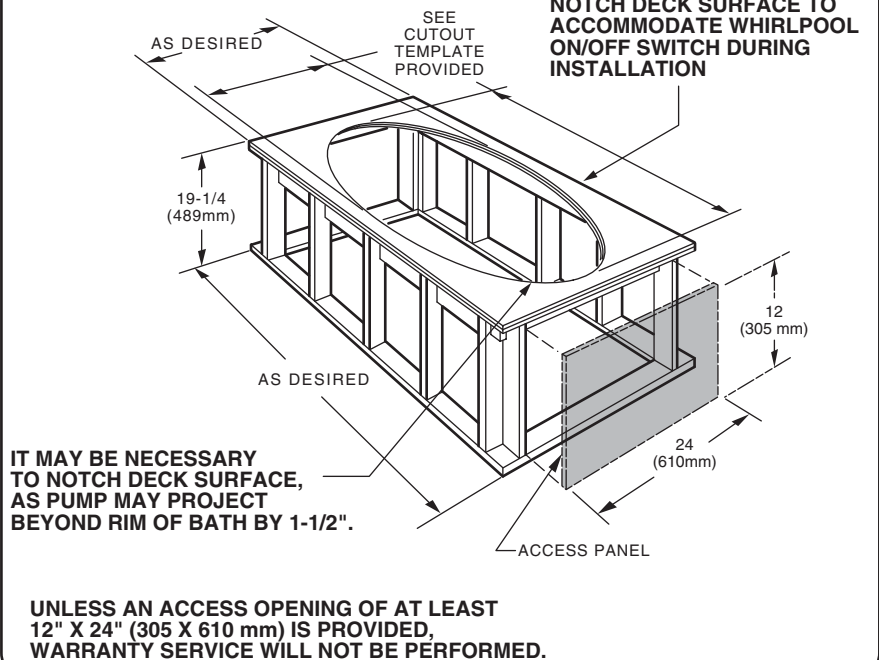
**For whirlpools, provision must be made in all installations for an access opening for servicing pump and controls.**

The following procedure must be used for all installations: stringer or pier height should be as indicated. The sump of the bath is supported by integral feet and **no** additional sump support is required. Once the bath is in place, the feet should be shimmed accordingly, so that **the rim of the bath contacts the stringer or pier but supports no weight**. Any finish material, such as tile or wall board, must be self-supporting if it contacts the rim of the bath.

### SUGGESTED INSTALLATION METHOD



### TYPICAL INSTALLATION



## ELECTRICAL INSTALLATION INSTRUCTIONS

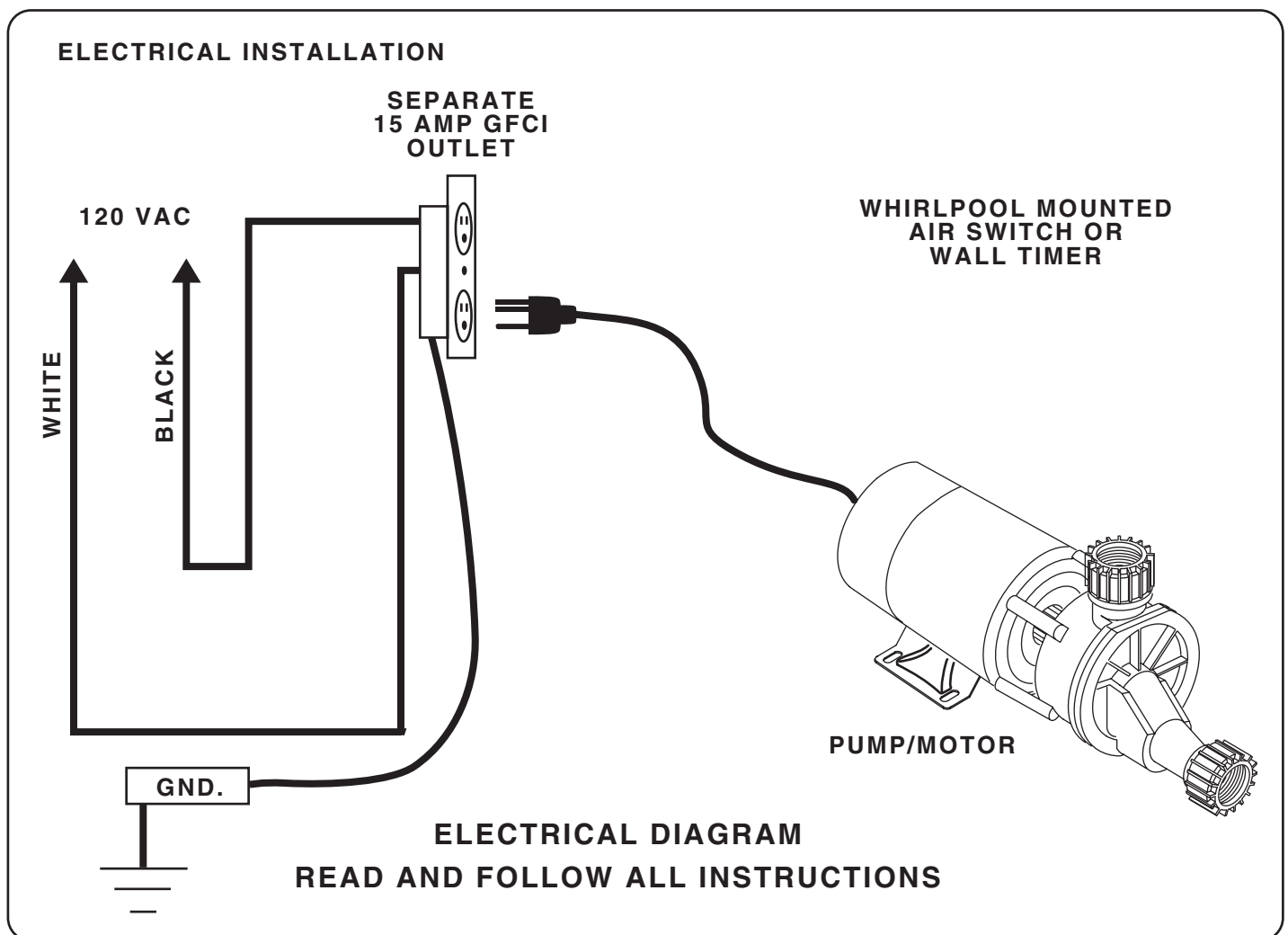
All wiring must be performed by a licensed electrician in accordance with the national electrical code and all other applicable codes.

### WARNING:

When using electrical products, basic precautions should always be observed, including the following:

1. **DANGER: RISK OF ELECTRIC SHOCK**  
Connect only to a circuit protected by a ground-fault circuit interrupter.
2. Grounding is required. The unit should be installed by a licensed electrician and grounded.
3. Install to permit access for servicing.
4. All building materials and wiring should be routed away from the pump body and heater (if equipped).

The whirlpool should be installed on a 120 vac, 15 amp dedicated circuit. The circuit should be hard-wired from the electrical power supply panel. The circuit must be a three (3) wire circuit from the electrical supply panel. A grounded neutral wire and a third wire, earth ground, are essential. **ADDING THE SAFE-T-HEATER REQUIRES A SEPARATE 15 AMP MAXIMUM GFCI CIRCUIT.**



## WIRE SELECTION GUIDE

Motor Hi Performance Rating	Maximum distance from fusebox to motor			
	50'	100'	150'	200'
1.6	115V Power Line			
	12	12	10	8

The sizes shown on this chart are recommendations for copper conductors only. Always follow local and national electrical codes

### DRAIN CONNECTION AND SYSTEM TEST

Using recommended drain opening, connect whirlpool drain to waste line. Tighten all drain joints securely. Check the pump couplings and make sure they are hand-tight. Clean the whirlpool and fill with water to a point 2" above the top of the highest jet. Recheck the pump couplings and make certain that they are not leaking. (Although the pump couplings are factory tightened and inspected, some loosening may have occurred during transit.) Make sure the whirlpool is connected to the electrical supply and turn the whirlpool on. Check for leaks around all piping connections while the whirlpool is running.

### POST INSTALLATION CLEAN-UP

Remove all construction debris from bath. Tile grout can be removed with a wooden popsicle stick or tongue depressor. Do not use wire brushes or any other metal implement on bath surface.

Post installation clean-up generally can be completed using warm water and liquid dishwashing detergent. Stubborn dirt or stains may be removed using granular Spic and Span<sup>®</sup> mixed with water.

Painter's naphtha can be used to remove excess adhesives and/or wet oil-base paint.

### FEATURES of YOUR NEW AMERICAN STANDARD ACRYLIC BATHTUB

Your new acrylic bathtub has been molded in the newest plumbing fixture material available today. Acrylics are tough durable finishes that are simple and easy to care for.

The colors have been formulated to match other American-Standard fixtures and enhance your choice of bathroom decorations. The high gloss surface is resistant to impact and chemicals and will retain its lasting luster with proper care and maintenance.

### AFTERCARE and CLEANING

- Always fill the tub with temperate water. Excessively hot water may cause surface damage
- Remove bath mat after use and hang to dry. Allowing bath mat to dry in the tub may cause surface damage.
- Clean after use with a mild liquid household detergent cleaner. Do not use Lestoil, Lysol Disinfectant (spray or concentrate), or Lysol Basin, Tub and Tile Cleaner, Windex, Mr. Clean, Dow Disinfectant Bathroom Cleaner, or cleaning products in aerosol cans.

### HARSH CHEMICALS SHOULD NEVER BE USED ON ACRYLIC SURFACES.

- Do not use wire brushes, knives or sharp objects to remove stains, cigarette tar deposits, or other surface blemishes.
- Abrasive cleaners or powders must not be used, since they will dull the surface. If the glossy surface loses its sheen, dulled areas can be restored by rubbing with a white "automotive type" polishing compound and waxing with a "liquid wax."
- **Do not wax areas where you walk or stand.**
- Do not allow nail polish remover, acetone, dry cleaning fluid, paint remover or other solvents to come into contact with the surface.
- Clean the surrounding surface immediately after using caustic drain cleaners.
- Burning cigarettes will damage the surface.
- Should damage to the fixture occur, repairs can be made quickly and easily. Your distributor or builder can provide details.