

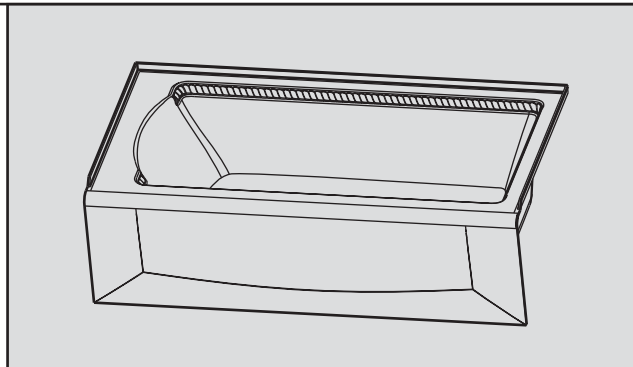
**Installation Instructions**

**ROPE TWIST™ BATHING POOL**

HIGH GLOSS ACRYLIC  
SHOWN LESS ALL FITTINGS

**MODELS: 2722.102 RHO  
2722.202 LHO**

**USED WITH BATH WALLS: 5030.LBW**



*Thank you for selecting American-Standard...the benchmark of fine quality for over 100 years. To ensure that your installation proceeds smoothly--please read these instructions carefully before you begin.*

754049-100 Rev. G

**BEFORE YOU BEGIN....**

Local building codes vary by location. Observe all local plumbing and building codes.

Your new bath is shipped to you after careful inspection. All you need to finish the installation are your selected fittings.

To insure maximum performance and pleasure from this product, please follow the instructions and cautions.

**GENERAL INSTALLATION INFORMATION ....**

- 1. WHEN INSTALLING THE MATCHING ROPE TWIST BATH WALLS (MODEL 5030.LBW), ADDITIONAL STUDS MAY BE REQUIRED. REFER TO THOSE INSTALLATION INSTRUCTIONS PRIOR TO INSTALLING TUB.**
- 2. ROPE TWIST SHOWER WALLS ARE TO BE INSTALLED OVER STUD WALLS.**
- 3. BATH MAY ONLY BE INSTALLED IN A RECESS TYPE INSTALLAION.**
- 4. THIS BATH IS NOT SELF-SUPPORTING AND MUST BE SUPPORTED ALONG ITS ENTIRE BOTTOM WITH MORTAR OR GROUT. STRINGERS WILL HELP LEVEL TUB, BUT WILL NOT PROVIDE ADEQUATE SUPPORT.**
- 5. TAKE EXTRA CARE WHEN DRIVING NAILS OR SCREWS TO AVOID DAMAGING THE BATH.**

**TOOLS & MATERIALS REQUIRED....**

**TOOLS:**

- Level
- Square
- Tape Measure
- Pipe Wrench
- Slip Joint Pliers
- Screw Driver
- Standard Woodworking Tools
- Personal Safety Equipment
- Caulking Gun

**MATERIALS:**

- Nails
- Plumber's Putty
- Silicone Sealant
- 1 x 3 or 2 x 4 Stringers
- Drop Cloth
- Mortar Mix or Grout (1 bag)

**NOTE:** Take extra care in handling surfaces of the bath. Use only non-abrasive cloths to avoid scratching.

**HOTLINE FOR HELP**

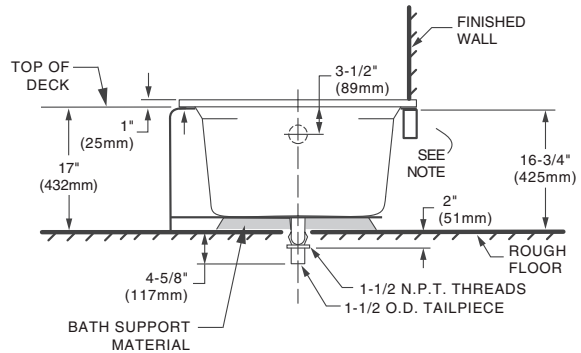
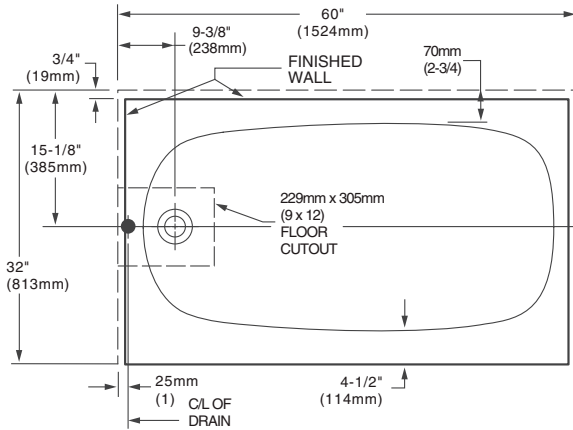
FOR TOLL FREE INFORMATION AND ANSWERS TO YOUR QUESTIONS, CALL:

1 (800) 442-1902, in Canada call 1 (800) 387-0369.

Weekdays 8:00 a.m. to 4:00 p.m. Eastern time.

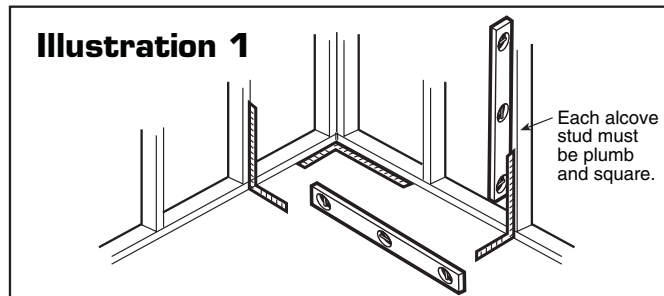
## ROUGH-IN INFORMATION:

<b>GENERAL SPECIFICATIONS FOR 2722 BATHING POOL</b>	
INSTALLED SIZE _____	60 x 32 x 17 In. (1524 x 813 x 432mm)
WEIGHT _____	60 Lbs. (27 Kg)
WEIGHT w/WATER _____	393 Lbs. (179 Kg)
GAL. TO OVERFLOW _____	40 Gal. (151 L)
BATHING WELL AT SUMP _____	22 x 44 In. (559 x 1118mm)
BATHING WELL AT RIM _____	25.5 X 53 In. (648 x 1346mm)
WATER DEPTH TO OVERFLOW _____	10 In. (254mm)
FLOOR LOADING _____	29 Lbs./Sq.Ft. (195 Kgs/Sq.m)
(PROJECTED AREA)	
PTS. _____	15.3
CUBE (FT <sup>3</sup> ) _____	27



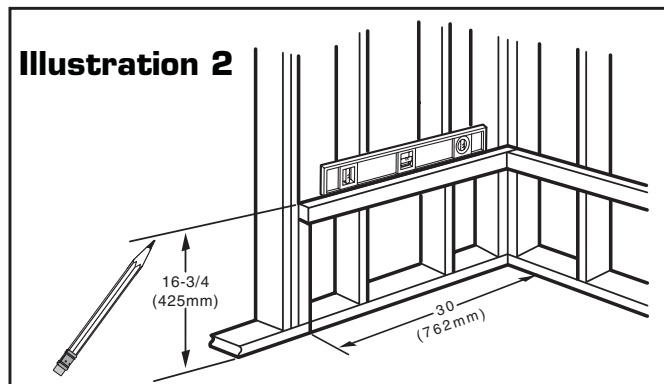
## 1 INSTALLATION AND FRAMING INSTRUCTIONS:

A.) Locate studs as required. Ensure roughing-in dimensions are proper, plumb, and square. It is strongly recommended that an additional opening be provided for access to the drain components.



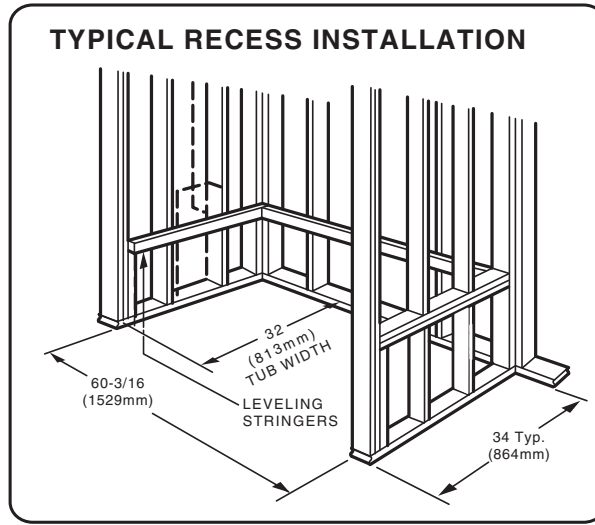
B.) As shown in ILL. 2, mark the position of the underside of the deck by tracing a line onto the studs at the height indicated, using a level or other suitable straight edge.

C.) With the top of the stringer touching the traced line, attach the stringer to the studs.



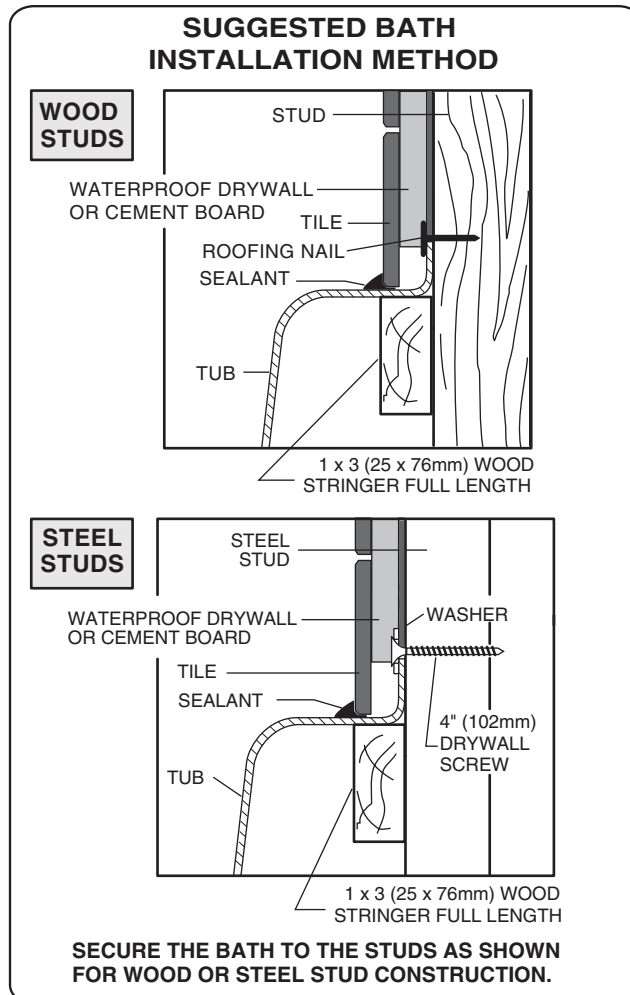
D.) Install drain components to the bath following the manufacturer's instructions. See the roughing-in drawing for suggested opening size and location dimensions.

A.) **THIS BATH MUST BE SUPPORTED ALONG IT'S ENTIRE BOTTOM.** We recommend the use of mortar as bedding material (sand is not recommended). Apply enough bedding to support the complete bottom of the bath. After the bedding has been poured, and before it sets, position the bath within the recess until the rim is leveled against the leveling stringers (see "Typical Recess Installation") shown below. The rim of the bath **MUST NOT** support weight. Allow the bedding material to completely harden before applying weight to the rim or bottom of the bath.



B.) Check level front to back and side to side, shim as necessary. To secure the tub to wood studs, use drywall screws with flatwashers or roofing nails immediately above the flange of the bath. To secure the tub to steel studs, use 4" drywall screws and flatwashers.

**TYPICAL FLANGE MOUNTING DETAIL**



C.) Any finish material such as tile or wallboard must be self-supporting if it contacts the deck of the bath. Flooring will be butted against the bottom of the tub apron, also holding the tub in place.

**DRAIN CONNECTION**

Using recommended drain opening, connect bath drain to waste line. Tighten all drain joints securely.

**POST INSTALLATION CLEAN-UP**

Remove all construction debris from bath. Tile grout can be removed with a wooden popsicle stick or tongue depressor. Do not use wire brushes or any other metal implement on bath surface.

Post installation clean-up generally can be completed using warm water and liquid dishwashing detergent. Stubborn dirt or stains may be removed using granular Spic and Span® mixed with water.

Painter's naphtha can be used to remove excess adhesives and/or wet oil-base paint.

**FEATURES of YOUR NEW AMERICAN STANDARD ACRYLIC BATHTUB**

Your new acrylic bathtub has been molded in the newest plumbing fixture material available today. Acrylics are tough durable finishes that are simple and easy to care for.

The colors have been formulated to match other American-Standard fixtures and enhance your choice of bathroom decorations. The high gloss surface is resistant to impact and chemicals and will retain its lasting luster with proper care and maintenance.

**AFTERCARE and CLEANING**

- Always fill the tub with temperate water. Excessively hot water may cause surface damage
- Remove bath mat after use and hang to dry. Allowing bath mat to dry in the tub may cause surface damage.
- Clean after use with a mild liquid household detergent cleaner. Abrasive cleaners such as Lestoil, Lysol Disinfectant (spray or concentrate), or Lysol Basin, Tub and Tile Cleaner, Windex, Mr. Clean, Dow Disinfectant Bathroom Cleaner, or cleaning products in aerosol cans should not be used.

**HARSH CHEMICALS SHOULD NEVER BE USED ON ACRYLIC SURFACES.**

- Do not use wire brushes, knives or sharp objects to remove stains, cigarette tar deposits, or other surface blemishes.
- Abrasive cleaners or powders must not be used, since they will dull the surface. If the glossy surface loses its sheen, dulled areas can be restored by rubbing with a white polishing compound and waxing with a "liquid wax."
- **Do not wax areas where you walk or stand.**
- Do not allow nail polish remover, acetone, dry cleaning fluid, paint remover or other solvents to come into contact with the surface.
- Clean the surrounding surface immediately after using caustic drain cleaners.
- Burning cigarettes will damage the surface.
- Should damage to the fixture occur, repairs can be made quickly and easily. Your distributor or builder can provide details.

# AS America, Inc. Limited Lifetime Warranty for Rope Twist™ Bathing Pools

AS America, Inc. ("American Standard") warrants to the original consumer purchaser that it will, at its option, repair or replace this bathing pool – American Standard, in its sole judgment, to be defective under normal residential use and maintenance so long as it is owned by the original consumer purchaser.

To activate this limited warranty, the purchaser must go online to our website at [www.americanstandard-us.com/warranty](http://www.americanstandard-us.com/warranty) to register their bathing pool, or the accompanying warranty registration card must be completed and returned to the address on the warranty registration card within thirty (30) days of purchase.

In no event will American Standard be liable for the cost of repair or replacement of any installation materials including but not limited to tile, marble, etc.

This limited warranty does not apply to Commercial Installations. The warranty for Commercial Installations is three (3) years.

This limited warranty DOES NOT COVER the following:

1. Defect or damages arising from shipping, installation, alterations, accidents, abuse, misuse, lack of proper maintenance and cleaning as directed in the Installation Instruction Manual and use of other than genuine American Standard replacement parts, in all cases whether caused by a plumbing contractor, service company, the owner or any other person.
2. Deterioration through normal wear and tear and the expense of normal maintenance.
3. Commercial application.
4. Options and accessories. American Standard's limited warranty on these items is **one year for parts only and excludes labor**. This one year limited warranty covers accessories manufactured by American Standard (e.g. aprons, drains, grab bars, heaters, trim kits) against defects of material or workmanship. Warranty coverage begins on the date the accessory was originally purchased by the owner.
5. Shipping cost for returning products for repairs or replacement under the limited warranty and labor or other cost incurred in connection with product removal or installation under this limited warranty.
6. ANY LIABILITY FOR CONSEQUENTIAL OR INCIDENTAL DAMAGES, ALL OF WHICH ARE HEREBY EXPRESSLY DISCLAIMED, OR THE EXTENSION BEYOND THE DURATION OF THIS LIMITED WARRANTY OF ANY IMPLIED WARRANTIES, INCLUDING THOSE OF MERCHANTABILITY OR FITNESS FOR AN INTENDED PURPOSE. (Some jurisdictions do not allow limitations on how long an implied warranty lasts, or the exclusion or limitation of incidental or consequential damages, so these limitations and exclusions may not apply to you.)
7. Responsibility for compliance with local code requirements. (Since local code requirements vary greatly, distributors, retailers, dealers, installation contractors and users of plumbing products should determine whether there are any code restrictions on the installation or use of a specific product.)

This limited warranty gives you specific legal rights. You may have other statutory rights that vary from state to state or from province to province, in which case this warranty does not affect such statutory rights.

For service under this warranty, it is suggested that a claim be made through the contractor or dealer from or through whom the product was purchased, or that a service request (including a description of the product model and of the defect) be sent to the following address:

**In the United States:**

American Standard  
P.O. Box 659  
West Caldwell, NJ 07007  
Attention: Customer Care

For residents of the United States, warranty information may be obtained by calling the following toll free number (800) 442-1902

**In Canada:**

American Standard  
2480 Stanfield Road  
Mississauga, Ontario  
Canada L4Y 1S2

**In Mexico:**

Customer Service Manager  
Ideal Standard S.A. de C.V.  
Via Morelos #330  
Col. Santa Clara  
Ecatepec 55540 Edo. Mexico

---

## PLEASE DO NOT DISREGARD AMERICAN STANDARD WARRANTY REGISTRATION CARD

Registration must be completed within thirty (30) days from purchase in order for this warranty to become effective. Please visit our website at [www.americanstandard-us.com/warranty](http://www.americanstandard-us.com/warranty) to register your product online. If you choose to register by mail, this card must be completed and returned to the address printed on this card within thirty (30) days from date of purchase in order for this warranty to become effective.

**This warranty is not transferable from original consumer purchaser.**

---

### American Standard Limited Lifetime Warranty Registration Card

**Purchaser's Name:** \_\_\_\_\_

**Purchaser's Address:** \_\_\_\_\_

\_\_\_\_\_

\_\_\_\_\_

**Phone (optional):** \_\_\_\_\_

**Email address:** \_\_\_\_\_

**Today's Date:** \_\_\_\_\_

**Product Purchased Date:** \_\_\_\_\_

**Model Name:** \_\_\_\_\_

**Model Number:** \_\_\_\_\_

**Store / Purchase location:**

**Example:** Home Town Plumbing Supply

543 Main Street

Anytown, NJ 12345

\_\_\_\_\_

\_\_\_\_\_

\_\_\_\_\_

\_\_\_\_\_