

**HERITAGE™ 6' WHIRLPOOL**

**2806.028WC Whirlpool Featuring System II:**

- Acrylic with fiberglass reinforcement
- EverClean® System
- Pre-leveled tub bottom
- Dual, molded-in arm rests
- Integral faucet deck area
- 2.1 HP, two speed, self-draining pump/motor
- Factory installed power cord and plug
- Eight multi-directional and flow-adjustable jets including:
  - Two Ideal-flow jets
  - Four body massage jets
  - Two recessed back-rest jets
- Deck-mounted electronic On/Off with 20 minute built-in timed safety shut off and chrome bezel
- Two silent air volume controls
- Quick Connect Safe-T-Heater connection system
- Factory installed and tested whirlpool system

**2806.002 Bathing Pool**

**Nominal Dimensions:**

1829 x 908 x 546mm  
(72" x 35-3/4" x 21-1/2")

**Compliance Certifications -**

**Meets or Exceeds the Following Specifications:**

- Underwriters Laboratories - Hydromassage Bathtubs UL 1795
- ASME A112.19.7M for Whirlpool Appliances
- ANSI Z124.1 for Plastic Bathtubs
- ASTM E162 for Flammability
- NFPA 258 for Smoke Density

American Standard whirlpools and air baths with EverClean® incorporate a patented silver-ion additive right into the circulation piping to protect the pipes from mold, mildew, algae and fungus that could cause deterioration or staining of the pipes.

SEE REVERSE FOR PRODUCT DIMENSIONS AND SPECIFICATIONS



**To Be Specified - Required:**

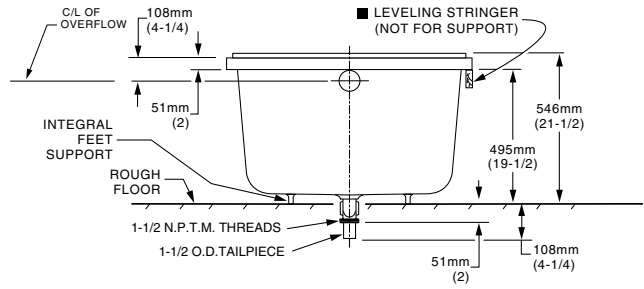
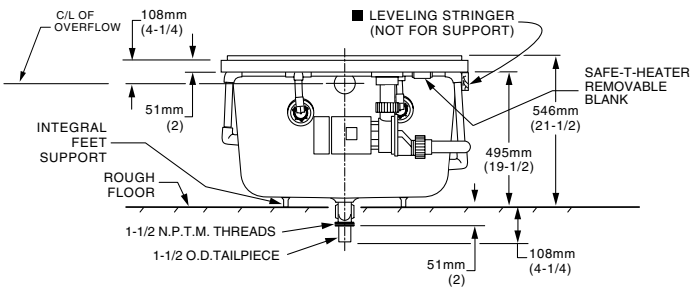
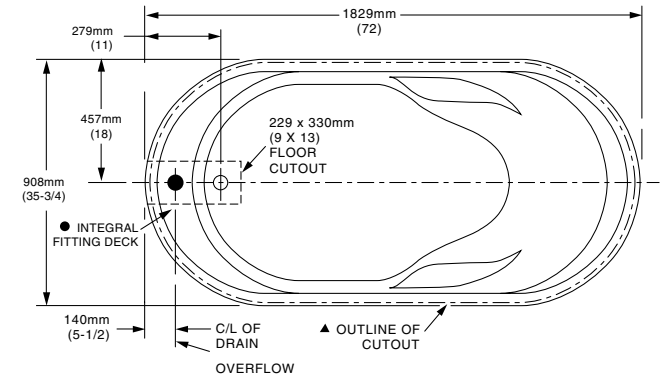
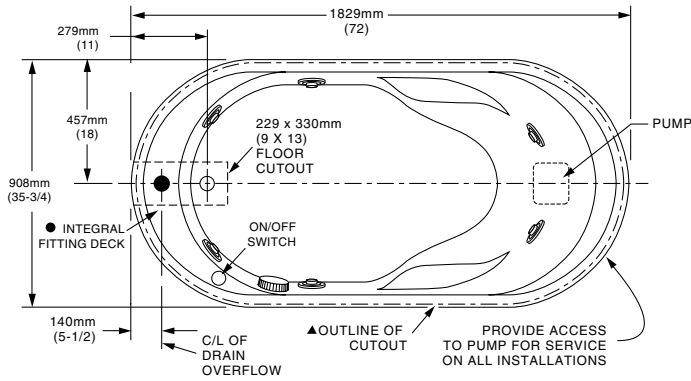
- Color:
- Bath Filler: (specify finish)
- Bath Drain: 1583.470 (specify finish)

**To Be Specified - Optional:**

- Safe-T-Heater\*: 9075.120
- Grab Bar Kit: 9822-200-two per kit (specify color)
- System II Control Bezel: 9861.100 (specify finish)

For color/finish availability and other faucet choices, please see the Product Selector and Pricing Guide.

\* **NOTE:** the Safe-T-Heater is designed to maintain water temperature during operation. It will not heat cold water to desired bathing temperature.



GENERAL SPECIFICATIONS FOR 2806 WHIRLPOOL	
INSTALLED SIZE	72 x 35-3/4 x 21-1/2 In. (1829 x 908 x 546mm)
WEIGHT	135 Lbs. (61 Kg.)
WEIGHT w/WATER	744 Lbs. (338 Kg.)
GAL. TO OVERFLOW	73 Gal. (276 L)
WHIRLPOOL MIN. OPERATING VOL.	44 Gal. (167 L)
BATHING WELL AT SUMP	45 x 24 In. (1143 x 610mm)
BATHING WELL AT RIM	60 x 30 In. (1524 x 762 mm)
WATER DEPTH TO OVERFLOW	15 In. (381mm)
FLOOR LOADING (PROJECTED AREA)	41 Lbs./Sq.Ft. (198 Kgs./Sq.m)
PTS.	25.6
CUBE (FT <sup>3</sup> )	49.4
WHIRLPOOL ELECTRICAL SPECIFICATIONS	
SYSTEM II PUMP	2.1 HP, 15.6 AMPS, 120V.

GENERAL SPECIFICATIONS FOR 2806 BATHING POOL	
INSTALLED SIZE	72 x 35-3/4 x 21-1/2 In. (1829 x 908 x 546mm)
WEIGHT	120 Lbs. (52 Kg.)
WEIGHT w/WATER	729 Lbs. (331 Kg.)
GAL. TO OVERFLOW	73 Gal. (276 L)
BATHING WELL AT SUMP	45 x 24 In. (1143 x 610mm)
BATHING WELL AT RIM	60 x 30 In. (1524 x 762 mm)
WATER DEPTH TO OVERFLOW	15 In. (381mm)
FLOOR LOADING (PROJECTED AREA)	41 Lbs./Sq.Ft. (198 Kgs./Sq.m)
PTS.	25.6
CUBE (FT <sup>3</sup> )	49.4

**NOTES:**

BATH CAN BE INSTALLED EITHER ABOVE OR BELOW FLOOR LINE AS PIER, ISLAND, OR PENINSULA TYPE INSTALLATION. SUMP OF BATH IS SUPPORTED BY INTEGRAL FEET. NO ADDITIONAL SUPPORT REQUIRED. ENCLOSING MATERIAL BY OTHERS.

■ REFER TO INSTALLATION INSTRUCTIONS SUPPLIED WITH WHIRLPOOL FOR ADDITIONAL INFORMATION.

▲ CUTOUT TEMPLATE PROVIDED IN SHIPPING BOX. MAY BE REQUESTED SEPARATELY. OPTIONAL GRAB BAR KIT AVAILABLE AND MUST BE ORDERED SEPARATELY.

FITTINGS NOT INCLUDED AND MUST BE ORDERED SEPARATELY.

PROVIDE SUITABLE REINFORCEMENT FOR ALL SUPPORTS.

● IF INSTALLING A DECK-MOUNTED FITTING, BEFORE DRILLING ANY HOLES: CHECK FOR INTERFERENCE WITH CIRCULATING SYSTEM PIPING, DRAIN OVERFLOW, AND APRON INSTALLATION. MOUNTING HOLES DRILLED BY INSTALLER.

SUPPLY PIPING NOT INCLUDED.

**IMPORTANT:** Dimensions of fixtures are nominal and may vary within the range of tolerances established by ANSI Standard Z124.1. These measurements are subject to change or cancellation. No responsibility is assumed for use of superseded or voided pages.