

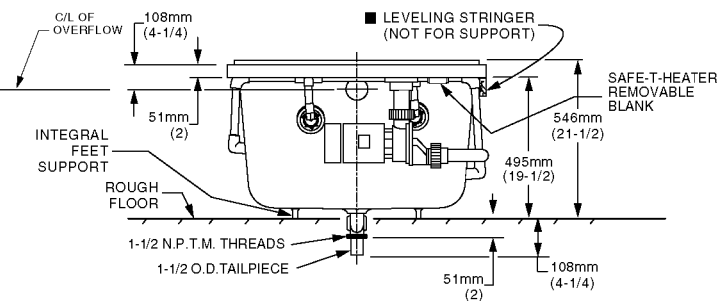
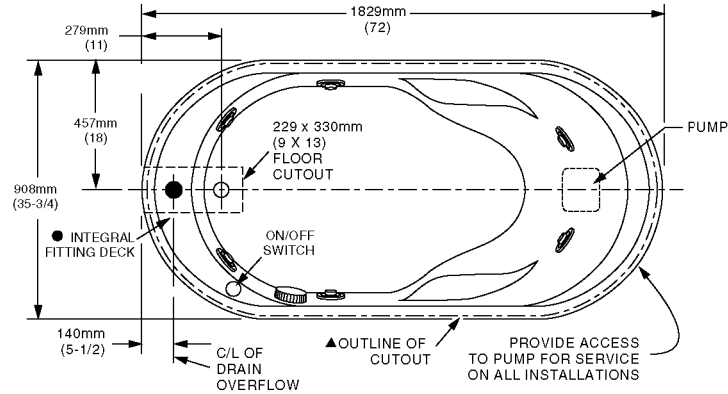
HERITAGE™ 6'

HIGH GLOSS ACRYLIC  
SHOWN LESS ALL FITTINGS

2806.XXXW

SERIES WHIRLPOOL

INSTALLATION INSTRUCTIONS



GENERAL SPECIFICATIONS FOR 2806 WHIRLPOOL	
INSTALLED SIZE	72 x 35-3/4 x 21-1/2 In. (1829 x 908 x 546mm)
WEIGHT	135 Lbs. (61 Kg.)
WEIGHT w/WATER	744 Lbs. (338 Kg.)
GAL. TO OVERFLOW	73 Gal. (276 L)
WHIRLPOOL MIN. OPERATING VOL.	44 Gal. (167 L)
BATHING WELL AT SUMP	45 x 24 In. (1143 x 610mm)
BATHING WELL AT RIM	60 x 30 In. (1524 x 762 mm)
WATER DEPTH TO OVERFLOW	15 In. (381mm)
FLOOR LOADING (PROJECTED AREA)	41 Lbs./Sq.Ft. (198 Kgs./Sq.m)
PTS.	25.6
CUBE (FT³)	49.4
WHIRLPOOL ELECTRICAL SPECIFICATIONS	
SYSTEM I PUMP	2.1 HP, 14.4 AMPS ,120V.
SYSTEM II PUMP	2.1 HP, 15.6 AMPS ,120V.

**GENERAL INSTALLATION INFORMATION**

Carefully uncrate and inspect your new bath for any shipping damage. If such damage is found, report it to your vendor immediately.

After inspection and during installation, protect the bath from construction damage. Before installation, and before enclosing with wallboard, tile, etc., water test the unit and check for leaks.

If a whirlpool, do not make modifications to the whirlpool system or remove pump from factory mounting. This could adversely affect the safety and performance of the whirlpool and void the warranty. Do not handle or move the whirlpool by the pump, motor, or piping system.

Fittings (bath filler, shower arm, etc.) are not provided with the bath and must be ordered separately. Framing and enclosing materials are provided by others. Check for availability of optional American Standard wall tiling bead. (required for recess installations).

Protect all finished surfaces of the whirlpool during construction and installation using a drop cloth.

**WARNING! Do not lift whirlpool by the piping harness at any time.**

FOR AFTER-SALES SERVICE CALL 1 (800) 422-1902 WEEKDAYS.

**THANK YOU...**

for selecting an American Standard bath. Your new bath is shipped to you after careful inspection. The whirlpool version is completely assembled with pump, motor, and system piping. All you need to finish the installation are your selected fittings and electrical connections for a whirlpool.

To insure maximum performance and pleasure from this product, please follow the instructions and cautions.

**List of Optional Components (not included):**

- Safe-T-Heater 9075.120\*

**List of Required Components (not included):**

- Drain 1583.470\*
- Bath Filler\*

\* see your American Standard Distributor

**List of Required Tools and Supplies:**

**Tools**

- Level
- Tape Measure
- Pipe Wrench
- Slip Joint Pliers
- Screw Driver
- Standard Woodworking Tools
- Personal Safety Equipment
- Caulking Gun

**Supplies**

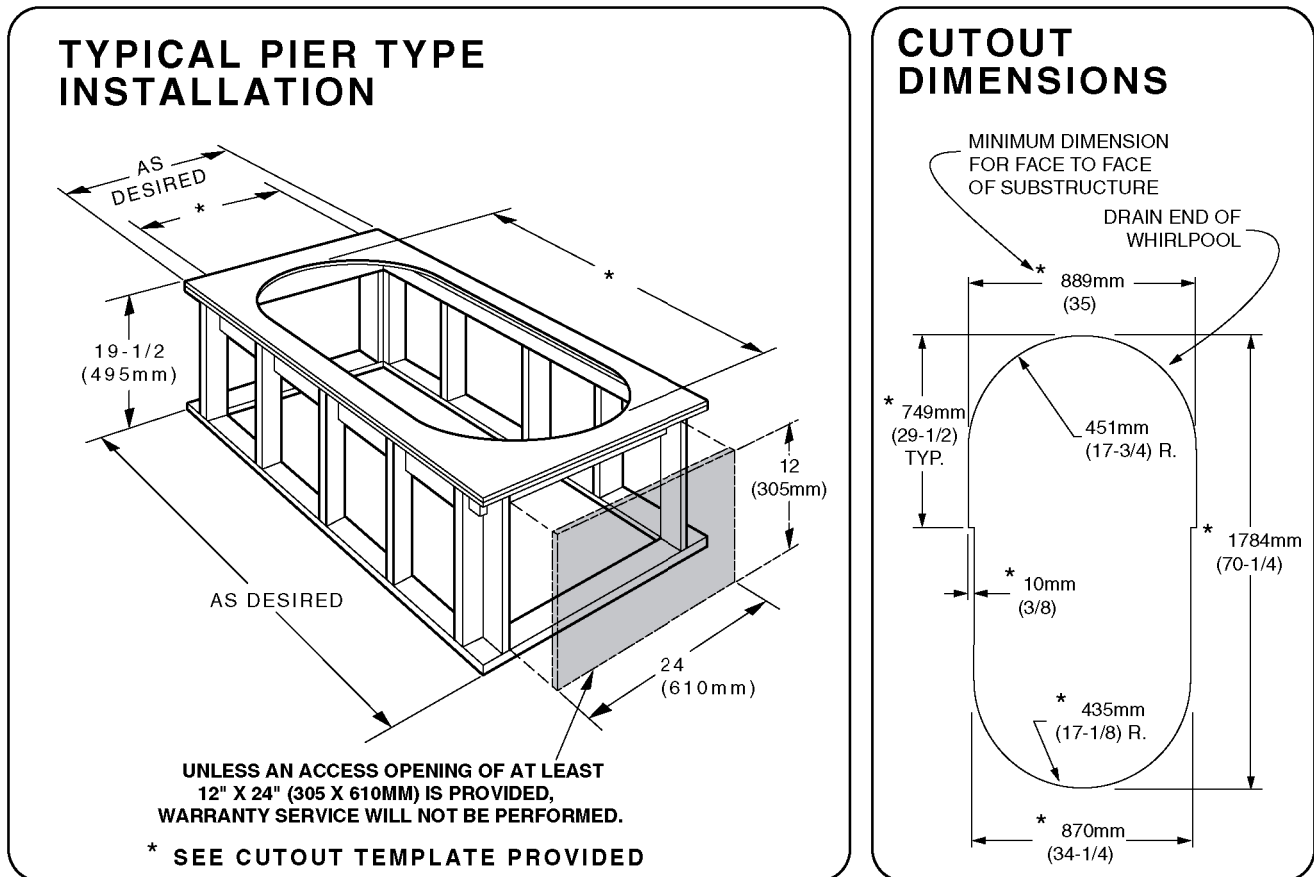
- Nails
- Putty
- Caulking (waterproof)
- 1 x 3 or 2 x 2 Stringers
- Standard Drop Cloth
- 20 amp GFI Outlet
- Cement, Plaster, Grout

## INSTALLATION AND FRAMING INSTRUCTIONS

The variety of installations possible for this whirlpool may require framing procedures other than those shown. Locate studs as required. Ensure roughing-in dimensions are proper, plumb and square. Provisions must be made in all installations for an access opening for servicing the pump and controls. It is strongly recommended that an additional opening be provided for access to the drain components.

**NOTE: The apron should not be used as the primary access opening.**

1. Position the whirlpool into the installation opening and level the deck, shimming the integral support feet as necessary.
2. Install drain components to the whirlpool following the manufacturers instructions. Before replacing your whirlpool for final installation, be certain that an opening has been provided in the sub-floor for the drain. See the roughing-in drawing for suggested opening size and location dimensions.
3. Replace whirlpool and re-shim the integral support feet, shimming the entire length of the support feet. Secure the shims using construction adhesive, silicone, mortar or equivalent materials. While not a necessity, the use of a foundation base consisting of cement (e.g. Sakrete), mortar, or grout will help provide a solid and secure installation.



## ELECTRICAL INSTALLATION INSTRUCTIONS

All wiring must be performed by a licensed electrician in accordance with the national electrical code and all other applicable codes.

### WARNING:

When using electrical products, basic precautions should always be observed, including the following:

#### 1. DANGER: RISK OF ELECTRIC SHOCK

Connect only to a circuit protected by a ground-fault circuit interrupter.

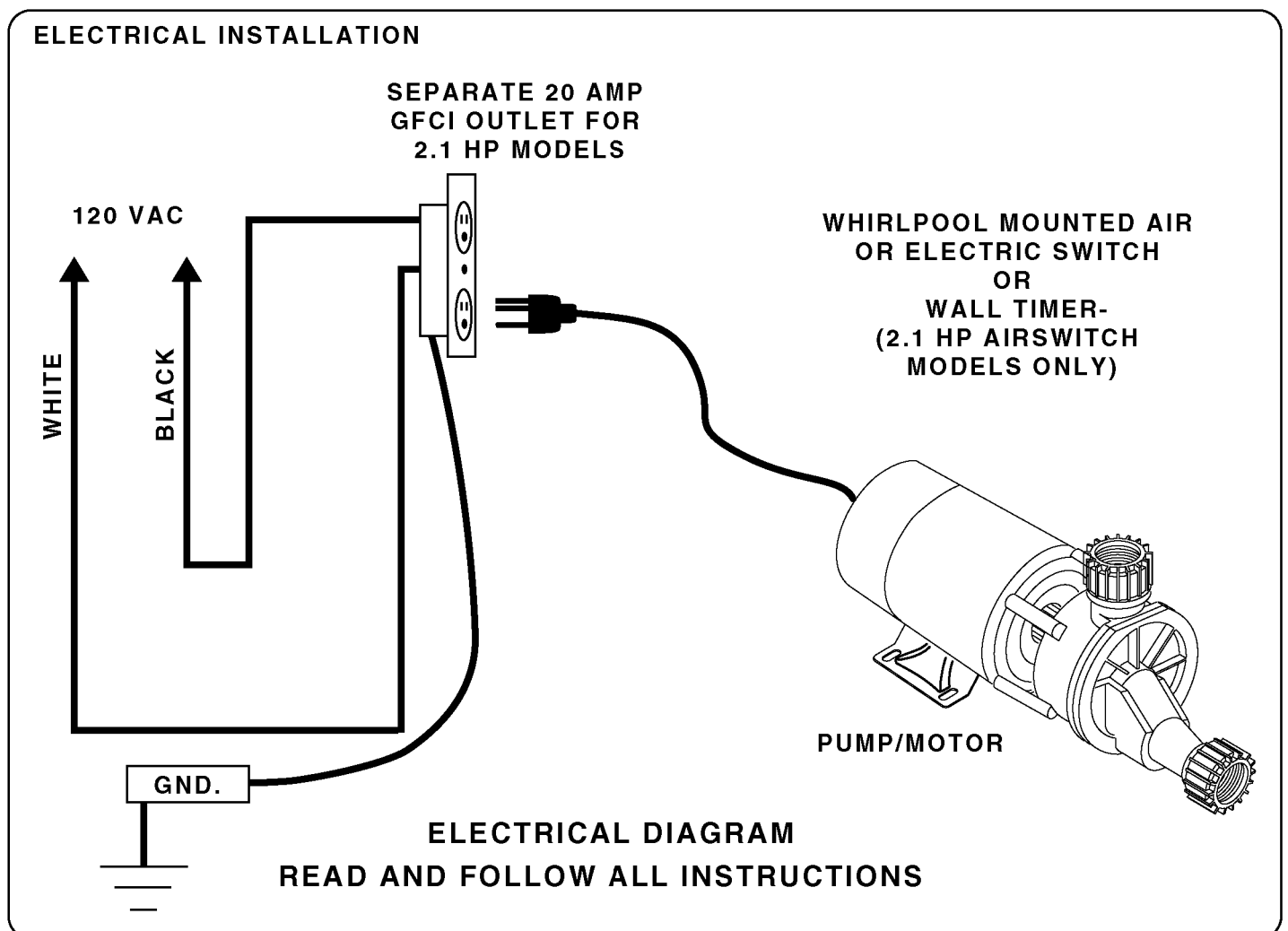
2. Grounding is required. The unit should be installed by a licensed electrician and grounded.

3. Install to permit access for servicing.

4. All building materials and wiring should be routed away from the pump body and heater (if equipped).

#### 2.1 HORSEPOWER MODELS:

The whirlpool should be installed on a 120 vac, 20 amp dedicated circuit. The circuit should be hard-wired from the electrical power supply panel. The circuit must be a three (3) wire circuit from the electrical supply panel. A grounded neutral wire and a third wire, earth ground, are essential. **ADDING THE SAFETY HEATER REQUIRES A SEPARATE 15 AMP MAXIMUM GFCI CIRCUIT.**



## WIRE SELECTION GUIDE

**Motor  
Hi Performance  
Rating**

**2.1**

Maximum distance from fusebox to motor			
50'	100'	150'	200'
120V Power Line			
12	10	8	8

The sizes shown on this chart are recommendations for copper conductors only. Always follow local and national electrical codes

### DRAIN CONNECTION AND SYSTEM TEST

Using recommended drain opening, connect whirlpool drain to waste line. Tighten all drain joints securely. Check the pump couplings and make sure they are hand-tight. Clean the whirlpool and fill with water to a point 2" above the top of the highest jet. Recheck the pump couplings and make certain that they are not leaking. (Although the pump couplings are factory tightened and inspected, some loosening may have occurred during transit.) Make sure the whirlpool is connected to the electrical supply and turn the whirlpool on. Check for leaks around all piping connections while the whirlpool is running.

### POST INSTALLATION CLEAN-UP

Remove all construction debris from bath. Tile grout can be removed with a wooden popsicle stick or tongue depressor. Do not use wire brushes or any other metal implement on bath surface.

Post installation clean-up generally can be completed using warm water and liquid dishwashing detergent. Stubborn dirt or stains may be removed using granular Spic and Span® mixed with water.

Painter's naphtha can be used to remove excess adhesives and/or wet oil-base paint.

### FEATURES of YOUR NEW AMERICAN STANDARD ACRYLIC BATHTUB

Your new acrylic bathtub has been molded in the newest plumbing fixture material available today. Acrylics are tough durable finishes that are simple and easy to care for.

The colors have been formulated to match other American Standard fixtures and enhance your choice of bathroom decorations. The high gloss surface is resistant to impact and chemicals and will retain its lasting luster with proper care and maintenance.

### AFTERCARE and CLEANING

- Always fill the tub with temperate water. Excessively hot water may cause surface damage.
- Remove bath mat after use and hang to dry. Allowing bath mat to dry in the tub may cause surface damage.
- Clean after use with a mild liquid household detergent cleaner. Do not use Lestoil, Lysol Disinfectant (spray or concentrate), or Lysol Basin, Tub and Tile Cleaner, Windex, Mr. Clean, Dow Disinfectant Bathroom Cleaner, or cleaning products in aerosol cans.

### HARSH CHEMICALS SHOULD NEVER BE USED ON ACRYLIC SURFACES.

- Do not use wire brushes, knives or sharp objects to remove stains, cigarette tar deposits, or other surface blemishes.
- Abrasive cleaners or powders must not be used, since they will dull the surface. If the glossy surface loses its sheen, dulled areas can be restored by rubbing with a white "automotive type" polishing compound and waxing with a "liquid wax."
- **Do not wax areas where you walk or stand.**
- Do not allow nail polish remover, acetone, dry cleaning fluid, paint remover or other solvents to come into contact with the surface.
- Clean the surrounding surface immediately after using caustic drain cleaners.
- Burning cigarettes will damage the surface.
- Should damage to the fixture occur, repairs can be made quickly and easily.  
Your distributor or builder can provide details.