

GREEN TEA™ 5-1/2' X 36" PREMIUM AIR BATH

3572.328 Green Tea™ 5-1/2' x 36" Premium Air Bath

- Smooth Air™ Massage System with perfectly smooth air jets throughout tub bottom
- Programmable automatic purge with timer
- 1.0 hp variable speed blower with built-in heater
- Everclean® System
- Acrylic with fiberglass reinforcement
- Pre-leveled tub bottom
- Form-fitted backrest and raised neck support
- Dual, molded-in armrests
- Can be under-mount installed
- Drain and overflow in Chrome included

3572.328.K2 Premium Air Bath with Chromatherapy

Same as 3572.328 but also includes:

- Two digitally controlled lights
- Electronic control with color selector and color cycle function

Nominal Dimensions:

66" x 36" x 22"

(1676 x 914 x 559mm)

Compliance Certifications -

Meets or Exceeds the Following Specifications:

- Underwriters Laboratories - Hydromassage Bathtubs UL 1795
- ASME A112.19.7M for Whirlpool Appliances
- ANSI Z124.1 for Plastic Bathtubs
- ASTM E162 for Flammability
- NFPA 258 for Smoke Density

American Standard whirlpools and air baths with EverClean® incorporate a patented silver-ion additive right into the circulation piping to protect the pipes from mold, mildew, algae and fungus that could cause deterioration or staining of the pipes.

SEE REVERSE FOR PRODUCT DIMENSIONS AND SPECIFICATIONS



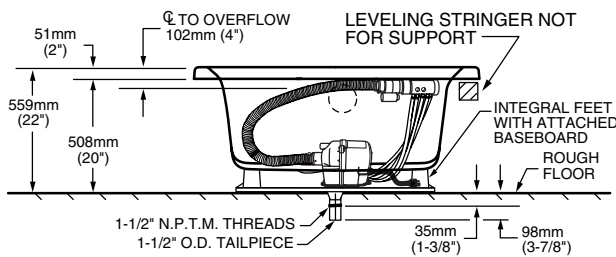
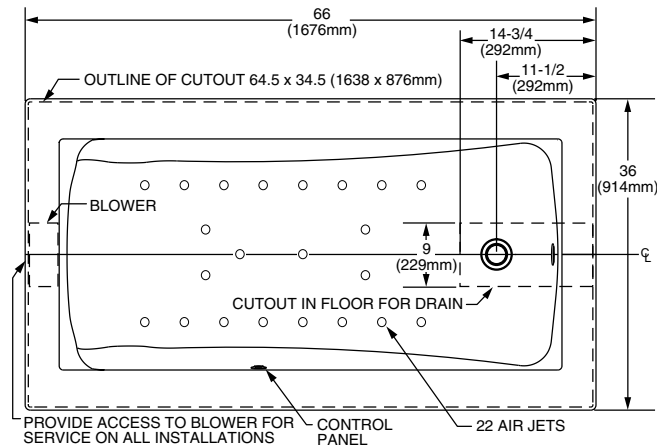
To Be Specified - Required:

- Color
- Bath Filler: (specify finish)
- Bath Drain: (included in Chrome)

To Be Specified - Optional:

- Universal Tile Bead Kit: 751755-100
- Drain Trim Kit: 1585.200 (specify finish)
- Air Blower Remote Mounting Kit: 754025-0071A

For color/finish availability and other faucet choices, please see the Product Selector and Pricing Guide.



**GENERAL SPECIFICATIONS FOR 3572
AIR BATH SYSTEM**

INSTALLED SIZE	66 x 36 x 22 In. (1676 x 914 x 559mm)
WEIGHT	100 Lbs. (45 Kg.)
WEIGHT w/WATER	592 Lbs. (269 Kg.)
GAL. TO OVERFLOW	59 Gal. (223 L.)
MIN. OPERATING GAL.	44 Gal. (167 L.)
BATHING WELL AT SUMP	19 x 49 In. (483mm x 1245mm)
BATHING WELL AT RIM	54-1/2 x 27 In. (1384mm x 686mm)
WATER DEPTH TO OVERFLOW	14 In. (356mm)
FLOOR LOADING (PROJECTED AREA)	36 Lbs./Sq. Ft. (175 Kgs/Sq. m.)
PTS.	25.6
CUBE (FT ³)	45.1

ELECTRICAL SPECIFICATIONS

BLOWER 1.0 HP, 10 AMPS, 120V.

NOTES:

BATH CAN BE INSTALLED EITHER ABOVE OR BELOW FLOOR LINE AS PIER, ISLAND, OR PENINSULA TYPE INSTALLATION. SUMP OF BATH IS SUPPORTED BY INTEGRAL FEET. NO ADDITIONAL SUPPORT REQUIRED. ENCLOSING MATERIAL BY OTHERS.

■ REFER TO INSTALLATION INSTRUCTIONS SUPPLIED WITH WHIRLPOOL FOR ADDITIONAL INFORMATION.

OPTIONAL 3 WALL TILING BEAD. KIT AVAILABLE AND MUST BE ORDERED SEPARATELY.

● FITTINGS NOT INCLUDED AND MUST BE ORDERED SEPARATELY.

PROVIDE SUITABLE REINFORCEMENT FOR ALL SUPPORTS.

● IF INSTALLING A DECK-MOUNTED FITTING, BEFORE DRILLING ANY HOLES: CHECK FOR INTERFERENCE WITH CIRCULATING SYSTEM PIPING, DRAIN OVERFLOW, AND APRON INSTALLATION. MOUNTING HOLES DRILLED BY INSTALLER.

IMPORTANT: Dimensions of fixtures are nominal and may vary within the range of tolerances established by ANSI Standard Z124.1. These measurements are subject to change or cancellation. No responsibility is assumed for use of superseded or voided leaflet.