

Item
Model
Project Name



601167

TR300

The TR300 vegetable preparation machine is a high output cutter designed for use in large catering and central kitchens, as well as small food production units. The technology of the TR300 makes it possible to cut a constant amount of vegetables very rapidly without any risk of jamming.

FEATURES

- The TR300 has two different hoppers for the different types of cut.
- The automatic hopper: for all types of preparations except long vegetables. This hopper ensures a regular feeding of the vegetables.
- The long vegetable hopper: for cutting long vegetables into horizontal slices (e.g. Vichy carrots, slices of cucumber).
- Maximum vegetable size is 100 mm diameter.
- Three phase motor

Vegetable slicers



DITO**Electrolux**

Specifications

MODEL	TR300 601167
External dimensions - mm	
width	470
depth	710
height	1070
Cutting capacity - kg/h	
carrots	1200
chips	5000
dicing	5000
Cutting capacity - kg/h	
potatoes	5000
Power - kW	
installed-electric	1.5
Net weight - kg.	100
Supply voltage	220...240/380...415 V, 3, 50

Included accessories

CODE	DESCRIPTION	
653142	EJECTOR F.ALL TYPES OF WORK-EXCEPT CHIPS	1

Optional accessories

CODE	DESCRIPTION	
653141	AUTOMATIC HOPPER	✓
653613	AUTOMATIC HOPPER FOR CARROTS-TR300	✓
653069	CHIP EQUIPMENT 10X10 MM	✓
653076	CHIP EQUIPMENT 6X6 MM	✓
653074	CHIP EQUIPMENT 8X8 MM	✓
653068	DICING GRID 10 MM	✓
653499	DICING GRID 12 MM	✓
653075	DICING GRID 16 MM	✓
653073	DICING GRID 20 MM	✓
653259	DICING GRID 32 MM	✓
653217	DISC WITH CORRUGATED BLADES 2 MM	✓
653218	DISC WITH CORRUGATED BLADES 3 MM	✓
653219	DISC WITH CORRUGATED BLADES 6 MM	✓
653142	EJECTOR F.ALL TYPES OF WORK-EXCEPT CHIPS	✓
653143	EJECTOR FOR CHIPS	✓
653174	GRATING DISC 2 MM	✓
653175	GRATING DISC 3 MM	✓
653194	GRATING DISC 4 MM	✓
653215	GRATING DISC 7 MM	✓
653220	GRATING DISC FOR KNOEDELN	✓
653216	GRATING DISC FOR PARMESAN	✓
653129	LONG VEGETABLE HOPPER	✓
653224	S/S TROLLEY FOR GN2/1 TRAYS	✓
653195	SHREDDING DISC 2X2 MM	✓
653196	SHREDDING DISC 3X3 MM	✓
653197	SHREDDING DISC 4X4 MM	✓
653188	SLICING DISC 1 MM	✓
653192	SLICING DISC 10 MM	✓
653193	SLICING DISC 16 MM	✓
653172	SLICING DISC 2 MM	✓
653173	SLICING DISC 3 MM	✓
653189	SLICING DISC 5 MM	✓
653190	SLICING DISC 6 MM	✓
653191	SLICING DISC 8 MM	✓

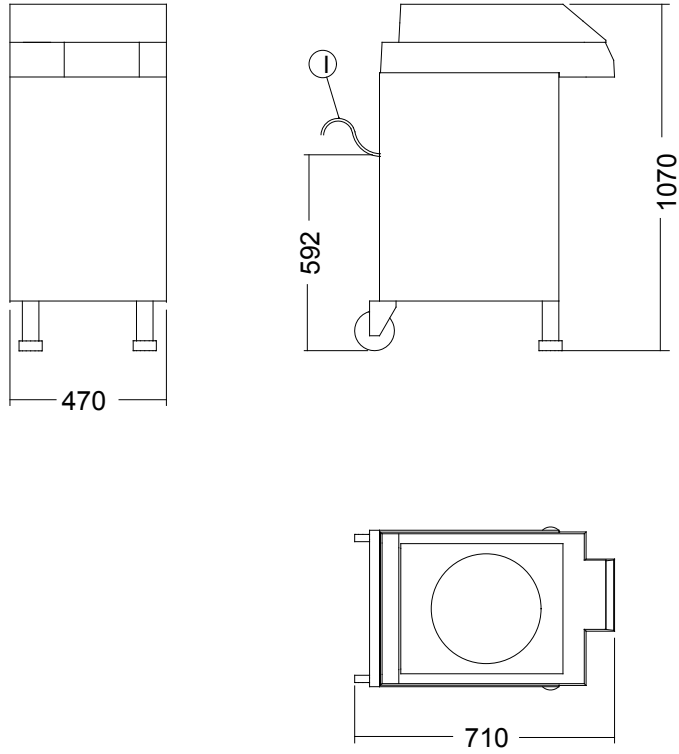


DITO

Electrolux

Installation drawings

601167



MODEL

I - Electrical connection

TR300
601167

220...240/380...415 V, 3, 50

The manufacturer reserves the right to modify and make improvements to the products without giving prior warning. Dimensions, illustrations, technical data, weights, etc. are given as an indication only.



www.dito-electrolux.com

Vegetable slicers

AAAG010

