

Instructions for use

WASHING MACHINE

GB

GB

English,1

IT

Italiano,13

UK

Українська,25

HU

Magyar, 37

PL

Polski,49

IWUD 4105

Contents

Installation, 2-3

Unpacking and levelling
Connecting the electricity and water supplies
The first wash cycle
Technical data

Description of the washing machine and starting a wash cycle, 4-5

Control panel
Indicator lights
Starting a wash cycle

Wash cycles, 6

Table of wash cycles

Personalisation, 7

Setting the temperature
Setting the spin speed
Functions

Detergents and laundry, 8

Detergent dispenser drawer
Bleach cycle
Preparing the laundry
Garments requiring special care
Load balancing system

Precautions and tips, 9

General safety
Disposal

Care and maintenance, 10

Cutting off the water or electricity supply
Cleaning the washing machine
Cleaning the detergent dispenser drawer
Caring for the door and drum of your appliance
Cleaning the pump
Checking the water inlet hose

Troubleshooting, 11

Service, 12

Installation

GB

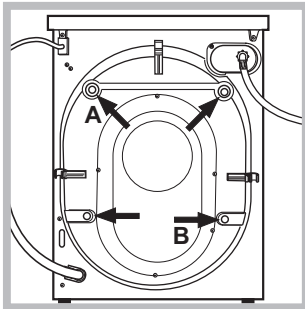
! This instruction manual should be kept in a safe place for future reference. If the washing machine is sold, transferred or moved, make sure that the instruction manual remains with the machine so that the new owner is able to familiarise himself/herself with its operation and features.

! Read these instructions carefully: they contain vital information relating to the safe installation and operation of the appliance.

Unpacking and levelling

Unpacking

1. Remove the washing machine from its packaging.
2. Make sure that the washing machine has not been damaged during the transportation process. If it has been damaged, contact the retailer and do not proceed any further with the installation process.



3. Remove the 4 protective screws (used during transportation) and the rubber washer with the corresponding spacer, located on the rear part of the appliance (see figure).

4. Close off the holes using the plastic plugs provided.
5. Keep all the parts in a safe place: you will need them again if the washing machine needs to be moved to another location.

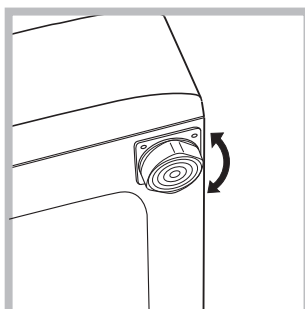
! Packaging materials should not be used as toys for children.

! Every time the machine needs to be tilted or moved, the screws, the rubber washer and the spacer should be re-fitted at points A and B, in order to ensure the internal components remain intact.

Remember to remove these elements afterwards.

Levelling

1. Install the washing machine on a flat sturdy floor, without resting it up against walls, furniture cabinets or anything else.

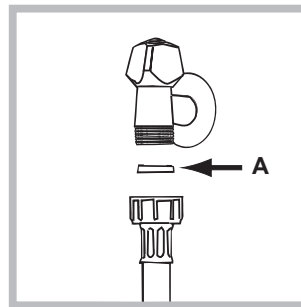


2. If the floor is not perfectly level, compensate for any unevenness by tightening or loosening the adjustable front feet (see figure); the angle of inclination, measured in relation to the worktop, must not exceed 2°.

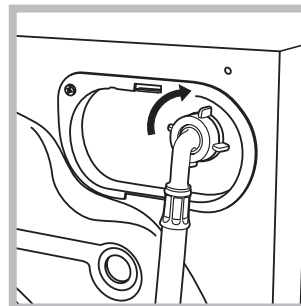
Levelling the machine correctly will provide it with stability, help to avoid vibrations and excessive noise and prevent it from shifting while it is operating. If it is placed on carpet or a rug, adjust the feet in such a way as to allow a sufficient ventilation space underneath the washing machine.

Connecting the electricity and water supplies

Connecting the water inlet hose



1. Connect the supply pipe by screwing it to a cold water tap using a $\frac{3}{4}$ gas threaded connection (see figure). Before performing the connection, allow the water to run freely until it is perfectly clear.



2. Connect the inlet hose to the washing machine by screwing it onto the corresponding water inlet of the appliance, which is situated on the top right-hand side of the rear part of the appliance (see figure).

3. Make sure that the hose is not folded over or bent.

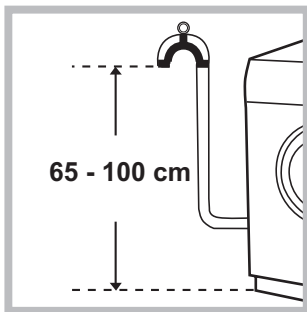
! The water pressure at the tap must fall within the values indicated in the Technical details table (see next page).

! If the inlet hose is not long enough, contact a specialised shop or an authorised technician.

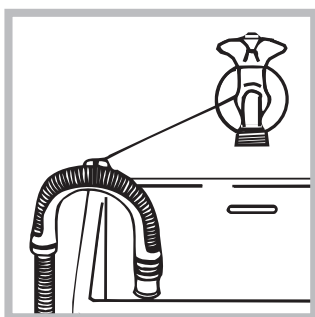
! Never use second-hand hoses.

! Use the ones supplied with the machine.

Connecting the drain hose



Connect the drain hose, without bending it, to a drainage duct or a wall drain located at a height between 65 and 100 cm from the floor;



alternatively, rest it on the side of a washbasin or bathtub, fastening the duct supplied to the tap (see figure). The free end of the hose should not be underwater.

! We advise against the use of hose extensions; if it is absolutely necessary, the extension must have the same diameter as the original hose and must not exceed 150 cm in length.

Electrical connections

Before plugging the appliance into the electricity socket, make sure that:

- the socket is earthed and complies with all applicable laws;
- the socket is able to withstand the maximum power load of the appliance as indicated in the Technical data table (see opposite);
- the power supply voltage falls within the values indicated in the Technical data table (see opposite);
- the socket is compatible with the plug of the washing machine. If this is not the case, replace the socket or the plug.

! The washing machine must not be installed outdoors, even in covered areas. It is extremely dangerous to leave the appliance exposed to rain, storms and other weather conditions.

! When the washing machine has been installed, the electricity socket must be within easy reach.

! Do not use extension cords or multiple sockets.

! The cable should not be bent or compressed.

! The power supply cable must only be replaced by authorised technicians.

Warning! The company shall not be held responsible in the event that these regulations are not respected.

The first wash cycle

Once the appliance has been installed, and before you use it for the first time, run a wash cycle with detergent and no laundry, using the wash cycle 2.

Technical data

Model IWUD 4105

Dimensions
width 59.5 cm
height 85 cm
depth 33 cm

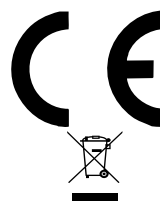
Capacity from 1 to 4 kg

Electrical connections please refer to the technical data plate fixed to the machine

Water connection
maximum pressure 1 MPa (10 bar)
minimum pressure 0.05 MPa (0.5 bar)
drum capacity 27 litres

Spin speed up to 1000 rotations per minute

Energy rated programmes according to regulation EN 60456
programme 2; temperature 60°C;
using a load of 4 kg.

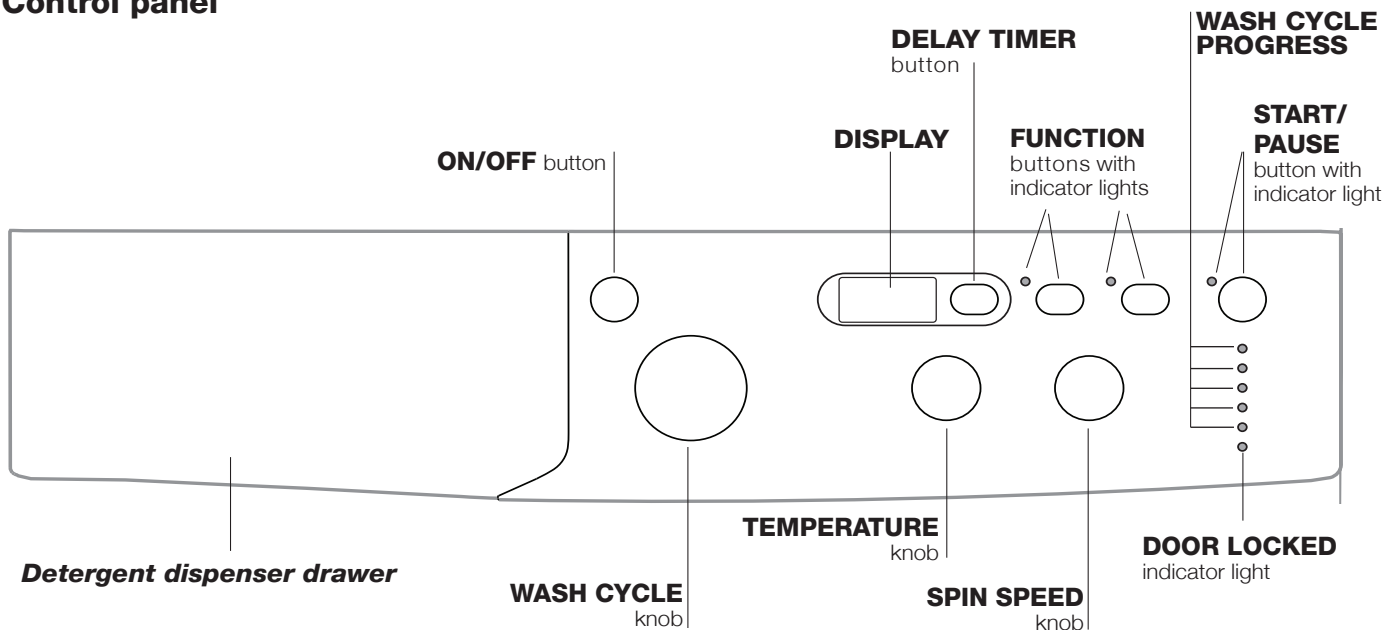


This appliance conforms to the following EC Directives:
- 2004/108/EC (Electromagnetic Compatibility)
- 2002/96/EC
- 2006/95/EC Low Voltage)

Description of the washing machine and starting a wash cycle

GB

Control panel



Detergent dispenser drawer: used to dispense detergents and washing additives (see “Detergents and laundry”).

ON/OFF button: switches the washing machine on and off.

WASH CYCLE knob: programmes the wash cycles. During the wash cycle, the knob does not move.

FUNCTION buttons with indicator light: used to select the available functions. The indicator light corresponding to the selected function will remain lit.

TEMPERATURE knob: sets the temperature or the cold wash cycle (see “Personalisation”).

SPIN SPEED knob: sets the spin speed or exclude the spin cycle completely (see “Personalisation”).


DISPLAY: used to view the duration of the various cycles available and the remaining time of a cycle in progress; if the DELAY TIMER option has been selected, the countdown to the start of the selected cycle will appear.

DELAY TIMER button : press to set a delayed start time for the selected wash cycle. The delay time will be shown on the display.

WASH CYCLE PROGRESS indicator lights: used to monitor the progress of the wash cycle. The illuminated indicator light shows which phase is in progress.

DOOR LOCKED indicator light: indicates whether the door may be opened or not (see next page).

START/PAUSE button with indicator light: starts or temporarily interrupts the wash cycles.

N.B. To pause the wash cycle in progress, press this button; the corresponding indicator light will flash orange, while the indicator light for the current wash cycle phase will remain lit in a fixed manner. If the DOOR LOCKED  indicator light is switched off, the door may be opened. To start the wash cycle from the point at which it was interrupted, press this button again.

Standby mode






This washing machine, in compliance with new energy saving regulations, is fitted with an automatic standby system which is enabled after about 30 minutes if no activity is detected. Press the ON-OFF button briefly and wait for the machine to start up again.

Indicator lights

The indicator lights provide important information. This is what they can tell you:

Wash cycle phase indicator lights

Once the desired wash cycle has been selected and has begun, the indicator lights switch on one by one to indicate which phase of the cycle is currently in progress.

Wash	
Rinse	
Spin	
Drain	
End of wash cycle	

Function buttons and corresponding indicator lights

When a function is selected, the corresponding indicator light will illuminate.

If the selected function is not compatible with the programmed wash cycle, the corresponding indicator light will flash and the function will not be activated.

If the selected function is not compatible with another function which has been selected previously, the indicator light corresponding to the first function selected will flash and only the second function will be activated; the indicator light corresponding to the enabled option will remain lit.


Door locked indicator light

When the indicator light is on, the porthole door is locked to prevent it from being opened; make sure the indicator light is off before opening the door (wait approximately 3 minutes). To open the door during a running wash cycle, press the START/PAUSE button; the door may be opened once the DOOR LOCKED indicator light turns off.

Starting a wash cycle

1. Switch the washing machine on by pressing the ON/OFF button. All indicator lights will switch on for a few seconds, then they will switch off and the START/PAUSE indicator light will pulse.
2. Load the laundry and close the door.
3. Set the WASH CYCLE knob to the desired programme.
4. Set the washing temperature (see "Personalisation").
5. Set the spin speed (see "Personalisation").
6. Measure out the detergent and washing additives (see "Detergents and laundry").
7. Select the desired functions.
8. Start the wash cycle by pressing the START/PAUSE button and the corresponding indicator light will remain lit in a fixed manner, in green.




To cancel the set wash cycle, pause the machine by pressing the START/PAUSE button and select a new cycle.

9. At the end of the wash cycle the **END** indicator light will switch on. The door can be opened once the DOOR LOCK  indicator light turns off. Take out your laundry and leave the appliance door ajar to make sure the drum dries completely. Switch the washing machine off by pressing the ON/OFF button.

Wash cycles

Table of wash cycles

GB

Wash cycles	Description of the wash cycle	Max. temp. (°C)	Max. speed (rpm)	Detergents				Max. load (kg)		Cycle duration	
				Prewash	Wash	Bleach	Fabric softener	Normal	Eco Time		
Daily											
1	Cotton with prewash: extremely soiled whites.	90°	1000	●	●	-	●	4	-	The duration of the wash cycles can be checked on the display.	
2	Cotton: extremely soiled whites.	90°	1000	-	●	●	●	4	-		
2	Cotton (1): heavily soiled whites and resistant colours.	60°	1000	-	●	●	●	4	-		
2	Cotton (2): heavily soiled whites and delicate colours.	40°	1000	-	●	●	●	4	-		
3	Cotton: heavily soiled whites and resistant colours.	60°	1000	-	●	●	●	4	2,5		
4	Coloured Cottons (3): lightly soiled whites and delicate colours.	40°	1000	-	●	●	●	4	2,5		
5	Synthetics: heavily soiled resistant colours.	60°	800	-	●	●	●	1,8	1,5		
6	Synthetics: lightly soiled delicate colours.	40°	800	-	●	●	●	1,8	1,5		
Special											
7	Wool: for wool, cashmere, etc.	40°	600	-	●	-	●	1	-		
8	Silk/Curtains: for garments in silk and viscose, lingerie.	30°	0	-	●	-	●	1	-		
9	Jeans	40°	800	-	●	-	●	1,5	-		
10	Express: to refresh lightly soiled garments quickly (not suitable for wool, silk and clothes which require washing by hand).	30°	800	-	●	-	●	1,5	-		
Sport											
11	Sport Intensive	30°	600	-	●	-	●	1,5	-		
12	Sport Light	30°	600	-	●	-	●	1,5	-		
13	Sport Shoes	30°	600	-	●	-	●	Max. 2 pairs	-		
Partial wash cycles											
	Rinse	-	1000	-	-	●	●	4	-		
	Spin	-	1000	-	-	-	-	4	-		
	Drain	-	0	-	-	-	-	4	-		

The information contained in the table is intended as a guide only.

For all Test Institutes:

- 1) Test wash cycle in compliance with regulation EN 60456: set wash cycle 2 with a temperature of 60°C.
- 2) Long wash cycle for cottons: set wash cycle 2 with a temperature of 40°C.
- 3) Short wash cycle for cottons: set wash cycle 4 with a temperature of 40°C.

Specials wash cycles

Express (wash cycle 10) this wash cycle was designed to wash lightly soiled garments quickly: it lasts just 15 minutes and therefore saves both energy and time. By selecting this wash cycle (10 at 30°C), it is possible to wash different fabrics together (except for wool and silk items), with a maximum load of 1.5 kg.

Sport Intensive (wash cycle 11) is for washing heavily soiled sports clothing fabrics (tracksuits, shorts, etc.); for best results, we recommend not exceeding the maximum load indicated in the "Table of wash cycles".

Sport Light (wash cycle 12) is for washing lightly soiled sports clothing fabrics (tracksuits, shorts, etc.); for best results, we recommend not exceeding the maximum load indicated in the "Table of wash cycles". We recommend using a liquid detergent and dosage suitable for a half-load.

Sport Shoes (wash cycle 13) is for washing sports shoes; for best results, do not wash more than 2 pairs simultaneously.

Setting the temperature

Turn the TEMPERATURE knob to set the wash temperature (see *Table of wash cycles*).

The temperature may be lowered, or even set to a cold wash .

The washing machine will automatically prevent you from selecting a temperature which is higher than the maximum value set for each wash cycle.

Setting the spin speed

Turn the SPIN SPEED knob to set the spin speed for the selected wash cycle.

The maximum spin speeds available for each wash cycle are as follows:

Wash cycles	Maximum spin speed
Cottons	1000 rpm
Synthetics	800 rpm
Wool	600 rpm
Silk	drain only

The spin speed may be lowered, or the spin cycle can be excluded altogether by selecting the symbol .

The washing machine will automatically prevent you from selecting a spin speed which is higher than the maximum speed set for each wash cycle.

Functions


The various wash functions available with this washing machine will help to achieve the desired results, every time.

To activate the functions:

1. Press the button corresponding to the desired function;
2. the function is enabled when the corresponding indicator light is illuminated.

Note: If the indicator light flashes rapidly, this signals that this particular function may not be selected in conjunction with the selected wash cycle.




Delay timer

To set a delayed start for the selected programme, press the corresponding button repeatedly until the required delay period has been reached. When this option is enabled, the  symbol lights up on the display. To remove the delayed start option press the button until the text "OFF" appears on the display.

! This option is enabled with all programmes.



EcoTime

Selecting this option enables you to suitably adjust drum rotation, temperature and water to a reduced load of lightly soiled cotton and synthetic fabrics (refer to the "*Table of wash cycles*"). "EcoTime" enables you to wash in less time thereby saving water and electricity. We suggest using a liquid detergent suitably measured out to the load quantity.

! This function may not be used in conjunction with wash cycles 1, 2, 7, 8, 9, 10, 11, 12, 13, , , .

Stain removal

Bleaching cycle designed to remove the toughest stains. Please remember to pour the bleach into extra compartment 4 (see "*Bleach cycle*").

! This function may not be used in conjunction with wash cycles 1, 7, 8, 9, 10, 11, 12, 13, , .

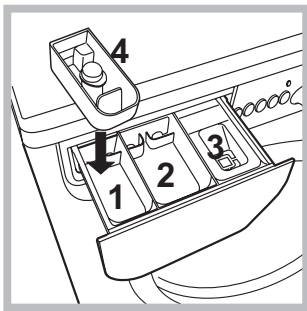
Detergents and laundry

GB

Detergent dispenser drawer

Good washing results also depend on the correct dose of detergent: adding too much detergent will not necessarily result in a more efficient wash, and may in fact cause build up on the inside of your appliance and contribute to environmental pollution.

! Do not use hand washing detergents because these create too much foam.



Open the detergent dispenser drawer and pour in the detergent or washing additive, as follows.

compartment 1: Pre-wash detergent (powder)

Before pouring in the detergent, make sure that extra compartment 4 has been removed.

compartment 2: Detergent for the wash cycle (powder or liquid)

Liquid detergent should only be poured in immediately prior to the start of the wash cycle.

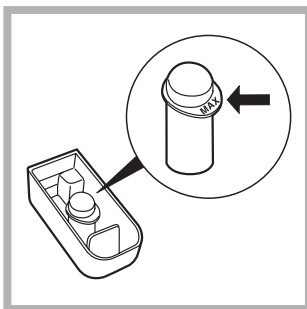
compartment 3: Additives (fabric softeners, etc.)

The fabric softener should not overflow the grid.

extra compartment 4: Bleach



Bleach cycle


! **Traditional** bleach should be used on sturdy white fabrics, and **delicate** bleach for coloured fabrics, synthetics and for wool.



This option is particularly useful for the removal of stubborn stains. Place extra compartment 4 (supplied) into compartment 1. When pouring in the bleach, be careful not to exceed the "max" level marked on the central pivot (see figure).

To run the bleach cycle on

its own, pour the bleach into extra compartment 4, set the "Rinse"  programme and activate the "Stain removal"  option.

To bleach during a wash cycle, pour in the detergent and any fabric softener you wish to use, set the desired wash cycle and enable the "Stain removal"  option.

The use of extra compartment 4 excludes the "Pre-wash" option.


Preparing the laundry

- Divide the laundry according to:
 - the type of fabric/the symbol on the label
 - the colours: separate coloured garments from whites.
- Empty all garment pockets and check the buttons.
- Do not exceed the listed values, which refer to the weight of the laundry when dry:
 - Durable fabrics: max. 4 kg
 - Synthetic fabrics: max. 1,8 kg
 - Delicate fabrics: max. 1,5 kg
 - Wool: max. 1 kg
 - Silk: max. 1 kg

How much does your laundry weigh?

- 1 sheet 400-500 g
- 1 pillow case 150-200 g
- 1 tablecloth 400-500 g
- 1 bathrobe 900-1200 g
- 1 towel 150-250 g

Garments requiring special care

Wool: all wool garments can be washed using programme 7, even those carrying the "hand-wash only"  label. For best results, use special detergents and do not exceed 1 kg of laundry.

Silk: use special wash cycle 8 to wash all silk garments. We recommend the use of special detergent which has been designed to wash delicate clothes.

Curtains: fold curtains and place them in a pillow case or mesh bag. Use wash cycle 8.

Jeans: Turn garments inside-out before washing and use a liquid detergent. Use programme 9.

Load balancing system

Before every spin cycle, to avoid excessive vibrations and to distribute the load in a uniform manner, the drum rotates continuously at a speed which is slightly greater than the washing rotation speed. If, after several attempts, the load is not balanced correctly, the machine spins at a reduced spin speed. If the load is excessively unbalanced, the washing machine performs the distribution process instead of spinning. To encourage improved load distribution and balance, we recommend small and large garments are mixed in the load.

! This washing machine was designed and constructed in accordance with international safety regulations. The following information is provided for safety reasons and must therefore be read carefully.

Consumers should contact their local authority or retailer for information concerning the correct disposal of their old appliance.

GB

General safety

- This appliance was designed for domestic use only.
- This appliance is not intended for use by persons (including children) with reduced physical, sensory or mental capabilities, or lack of experience and knowledge, unless they have been given supervision or instruction concerning use of the appliance by a person responsible for their safety. Children should be supervised to ensure that they do not play with the appliance.
- The washing machine must only be used by adults, in accordance with the instructions provided in this manual.
- Do not touch the machine when barefoot or with wet or damp hands or feet.
- Do not pull on the power supply cable when unplugging the appliance from the electricity socket. Hold the plug and pull.
- Do not open the detergent dispenser drawer while the machine is in operation.
- Do not touch the drained water as it may reach extremely high temperatures.
- Never force the porthole door. This could damage the safety lock mechanism designed to prevent accidental opening.
- If the appliance breaks down, do not under any circumstances access the internal mechanisms in an attempt to repair it yourself.
- Always keep children well away from the appliance while it is operating.
- The door can become quite hot during the wash cycle.
- If the appliance has to be moved, work in a group of two or three people and handle it with the utmost care. Never try to do this alone, because the appliance is very heavy.
- Before loading laundry into the washing machine, make sure the drum is empty.

Disposal

- Disposing of the packaging materials: observe local regulations so that the packaging may be re-used.
- The European Directive 2002/96/EC on Waste Electrical and Electronic Equipment, requires that old household electrical appliances must not be disposed of in the normal unsorted municipal waste stream. Old appliances must be collected separately in order to optimise the recovery and recycling of the materials they contain and reduce the impact on human health and the environment. The crossed out “wheeled bin” symbol on the product reminds you of your obligation, that when you dispose of the appliance it must be separately collected.

Care and maintenance

GB

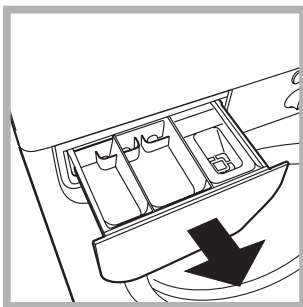
Cutting off the water and electricity supplies

- Turn off the water tap after every wash cycle. This will limit wear on the hydraulic system inside the washing machine and help to prevent leaks.
- Unplug the washing machine when cleaning it and during all maintenance work.

Cleaning the washing machine

The outer parts and rubber components of the appliance can be cleaned using a soft cloth soaked in lukewarm soapy water. Do not use solvents or abrasives.

Cleaning the detergent dispenser drawer



Remove the dispenser by raising it and pulling it out (see figure). Wash it under running water; this operation should be repeated frequently.

Caring for the door and drum of your appliance

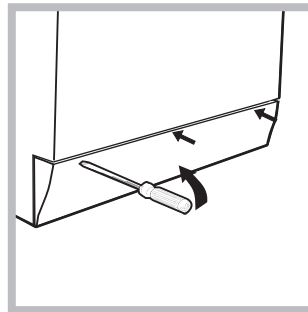
- Always leave the porthole door ajar in order to prevent unpleasant odours from forming.

Cleaning the pump

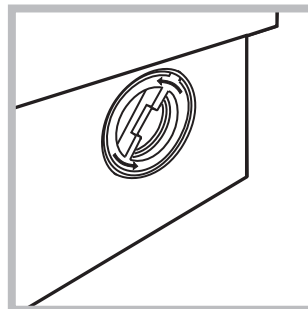
The washing machine is fitted with a self-cleaning pump which does not require any maintenance. Sometimes, small items (such as coins or buttons) may fall into the pre-chamber which protects the pump, situated in its bottom part.

! Make sure the wash cycle has finished and unplug the appliance.

To access the pre-chamber:



1. using a screwdriver, remove the cover panel on the lower front part of the washing machine (see figure);



2. unscrew the lid by rotating it anti-clockwise (see figure); a little water may trickle out. This is perfectly normal;

3. clean the inside thoroughly;
4. screw the lid back on;
5. reposition the panel, making sure the hooks are securely in place before you push it onto the appliance.

Checking the water inlet hose

Check the inlet hose at least once a year. If there are any cracks, it should be replaced immediately: during the wash cycles, water pressure is very strong and a cracked hose could easily split open.

! Never use second-hand hoses.

Your washing machine could fail to work. Before contacting the Technical Assistance Centre (see “Assistance”), make sure that the problem cannot be not solved easily using the following list.

Problem:

Possible causes / Solutions:

The washing machine does not switch on.

- The appliance is not plugged into the socket fully, or is not making contact.
- There is no power in the house.

The wash cycle does not start.

- The washing machine door is not closed properly.
- The ON/OFF button has not been pressed.
- The START/PAUSE button has not been pressed.
- The water tap has not been opened.
- A delayed start has been set (see “Personalisation”).

The washing machine does not take in water (“H2O” will flash on the display).

- The water inlet hose is not connected to the tap.
- The hose is bent.
- The water tap has not been opened.
- There is no water supply in the house.
- The pressure is too low.
- The START/PAUSE button has not been pressed.

The washing machine continuously takes in and drains water.

- The drain hose is not fitted at a height between 65 and 100 cm from the floor (see “Installation”).
- The free end of the hose is under water (see “Installation”).
- The wall drainage system is not fitted with a breather pipe.

If the problem persists even after these checks, turn off the water tap, switch the appliance off and contact the Assistance Service. If the dwelling is on one of the upper floors of a building, there may be problems relating to water drainage, causing the washing machine to fill with water and drain continuously. Special anti-draining valves are available in shops and help to avoid this inconvenience.

The washing machine does not drain or spin.

- The wash cycle does not include draining: some wash cycles require the drain phase to be started manually.
- The drain hose is bent (see “Installation”).
- The drainage duct is clogged.

The washing machine vibrates a lot during the spin cycle.

- The drum was not unlocked correctly during installation (see “Installation”).
- The washing machine is not level (see “Installation”).
- The washing machine is trapped between cabinets and walls (see “Installation”).

The washing machine leaks.

- The water inlet hose is not screwed on properly (see “Installation”).
- The detergent dispenser drawer is blocked (for cleaning instructions, see “Care and maintenance”).
- The drain hose is not fixed properly (see “Installation”).

The “function” indicator lights and the “start/pause” indicator light flash, while one of the “phase in progress” indicator lights and the “door locked” indicator light will remain lit in a fixed manner.

- Switch off the machine and unplug it, wait for approximately 1 minute and then switch it back on again.
If the problem persists, contact the Technical Assistance Service.

There is too much foam.

- The detergent is not suitable for machine washing (it should display the text “for washing machines” or “hand and machine wash”, or the like).
- Too much detergent was used.

Service

GB

Before calling for Assistance:

- Check whether you can solve the problem alone (see “*Troubleshooting*”);
- Restart the programme to check whether the problem has been solved;
- If this is not the case, contact an authorised Technical Assistance Centre using the telephone number provided on the guarantee certificate.

! Always request the assistance of authorised technicians.

Have the following information to hand:

- the type of problem;
- the appliance model (Mod.);
- the serial number (S/N).

This information can be found on the data plate applied to the rear of the washing machine, and can also be found on the front of the appliance by opening the door.



Italiano

IWUD 4105

Sommario

Installazione, 14-15

Disimballo e livellamento
Collegamenti idraulici ed elettrici
Primo ciclo di lavaggio
Dati tecnici

Descrizione della lavabiancheria e avviare un programma, 16-17

Pannello di controllo
Spie
Avviare un programma

Programmi, 18

Tabella dei programmi

Personalizzazioni, 19

Impostare la temperatura
Impostare la centrifuga
Opzioni

Detersivi e biancheria, 20

Cassetto dei detersivi
Ciclo candeggio
Preparare la biancheria
Capi particolari
Sistema bilanciamento del carico

Precauzioni e consigli, 21

Sicurezza generale
Smaltimento

Manutenzione e cura, 22

Escludere acqua e corrente elettrica
Pulire la lavabiancheria
Pulire il cassetto dei detersivi
Curare oblò e cestello
Pulire la pompa
Controllare il tubo di alimentazione dell'acqua

Anomalie e rimedi, 23

Assistenza, 24

Assistenza Attiva 7 giorni su 7

Installazione

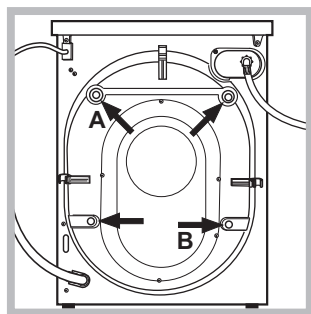
! È importante conservare questo libretto per poterlo consultare in ogni momento. In caso di vendita, di cessione o di trasloco, assicurarsi che resti insieme alla lavabiancheria per informare il nuovo proprietario sul funzionamento e sui relativi avvertimenti.

! Leggere attentamente le istruzioni: ci sono importanti informazioni sull'installazione, sull'uso e sulla sicurezza.

Disimballo e livellamento

Disimballo

1. Disimballare la lavabiancheria.
2. Controllare che la lavabiancheria non abbia subito danni nel trasporto. Se fosse danneggiata non collegarla e contattare il rivenditore.



3. Rimuovere le 4 viti di protezione per il trasporto e il gommino con il relativo distanziale, posti nella parte posteriore (vedi figura).

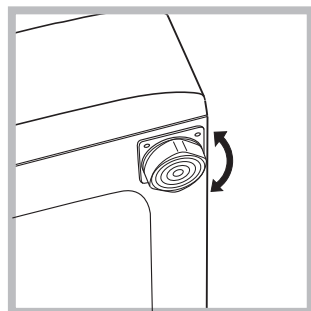
4. Chiudere i fori con i tappi di plastica in dotazione.
5. Conservare tutti i pezzi: qualora la lavabiancheria debba essere trasportata, dovranno essere rimontati.

! Gli imballaggi non sono giocattoli per bambini.

! Ogni qualvolta la macchina deve essere inclinata o spostata, per preservare l'integrità dei componenti interni occorre rimontare le viti, il gommino e il distanziale nelle posizioni A e B. Dopo l'operazione ricordarsi di rimuoverli.

Livellamento

1. Installare la lavabiancheria su un pavimento piano e rigido, senza appoggiarla a muri, mobili o altro.

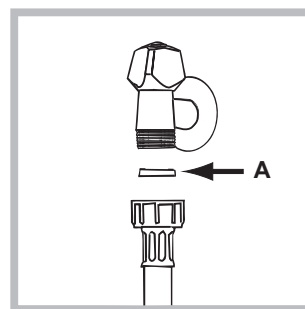


2. Se il pavimento non fosse perfettamente orizzontale, compensare le irregolarità svitando o avvitando i piedini anteriori (vedi figura); l'angolo di inclinazione, misurato sul piano di lavoro, non deve superare i 2°.

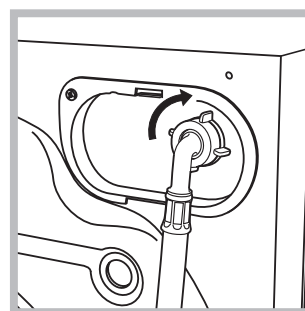
Un accurato livellamento dà stabilità alla macchina ed evita vibrazioni, rumori e spostamenti durante il funzionamento. In caso di moquette o di un tappeto, regolare i piedini in modo da conservare sotto la lavabiancheria uno spazio sufficiente per la ventilazione.

Collegamenti idraulici ed elettrici

Collegamento del tubo di alimentazione dell'acqua



1. Collegare il tubo di alimentazione avvitandolo a un rubinetto d'acqua fredda con bocca filettata da 3/4 gas (vedi figura). Prima di allacciare, far scorrere l'acqua finché non sia limpida.



2. Collegare il tubo di alimentazione alla lavabiancheria avvitandolo all'apposita presa d'acqua, nella parte posteriore in alto a destra (vedi figura).

3. Fare attenzione che nel tubo non ci siano né pieghe né strozzature.

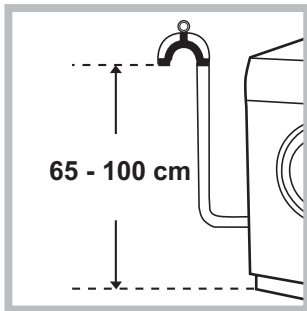
! La pressione idrica del rubinetto deve essere compresa nei valori della tabella Dati tecnici (vedi pagina a fianco).

! Se la lunghezza del tubo di alimentazione non fosse sufficiente, rivolgersi a un negozio specializzato o a un tecnico autorizzato.

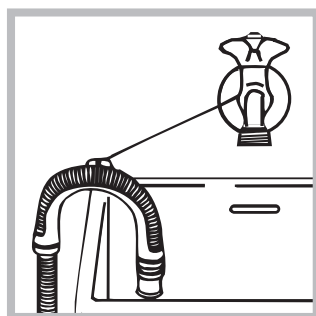
! Non utilizzare mai tubi già usati.

! Utilizzare quelli in dotazione alla macchina.

Collegamento del tubo di scarico



Collegare il tubo di scarico, senza piegarlo, a una conduttura di scarico o a uno scarico a muro posti tra 65 e 100 cm da terra;



oppure appoggiarlo al bordo di un lavandino o di una vasca, legando la guida in dotazione al rubinetto (vedi figura). L'estremità libera del tubo di scarico non deve rimanere immersa nell'acqua.

! È sconsigliato usare tubi di prolunga; se indispensabile, la prolunga deve avere lo stesso diametro del tubo originale e non superare i 150 cm.

Collegamento elettrico

Prima di inserire la spina nella presa della corrente, accertarsi che:

- la presa abbia la messa a terra e sia a norma di legge;
- la presa sia in grado di sopportare il carico massimo di potenza della macchina, indicato nella tabella Dati tecnici (vedi a fianco);
- la tensione di alimentazione sia compresa nei valori indicati nella tabella Dati tecnici (vedi a fianco);
- la presa sia compatibile con la spina della lavabiancheria. In caso contrario sostituire la presa o la spina.

! La lavabiancheria non va installata all'aperto, nemmeno se lo spazio è riparato, perché è molto pericoloso lasciarla esposta a pioggia e temporali.

! A lavabiancheria installata, la presa della corrente deve essere facilmente raggiungibile.

! Non usare prolunghe e multiple.

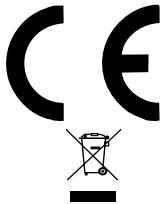
! Il cavo non deve subire piegature o compressioni.

! Il cavo di alimentazione deve essere sostituito solo da tecnici autorizzati.

Attenzione! L'azienda declina ogni responsabilità qualora queste norme non vengano rispettate.

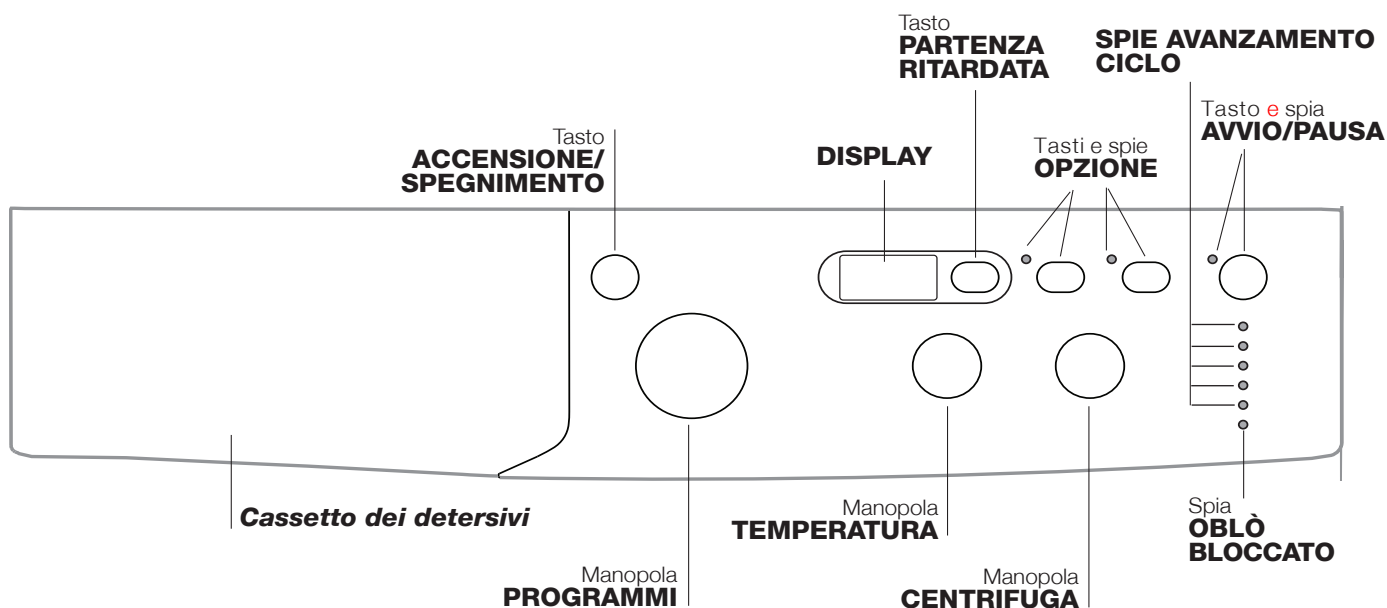
Primo ciclo di lavaggio

Dopo l'installazione, prima dell'uso, effettuare un ciclo di lavaggio con detersivo e senza biancheria impostando il programma 2

Dati tecnici	
Modello	IWUD 4105
Dimensioni	larghezza cm 59,5 altezza cm 85 profondità cm 33
Capacità	da 1 a 4 kg
Collegamenti elettrici	vedi la targhetta caratteristiche tecniche applicata sulla macchina
Collegamenti idrici	pressione massima 1 MPa (10 bar) pressione minima 0,05 MPa (0,5 bar) capacità del cesto 27 litri
Velocità di centrifuga	sino a 1000 giri al minuto
Programmi di controllo secondo la norma EN 60456	programma 2; temperatura 60°C; effettuato con 4 kg di carico
 <p>Questa apparecchiatura è conforme alle seguenti Direttive Comunitarie:</p> <ul style="list-style-type: none"> - 2004/108/CE (Compatibilità Elettromagnetica) - 2002/96/CE - 2006/95/CE (Bassa Tensione) 	

Descrizione della lavabiancheria e avviare un programma

Pannello di controllo



Cassetto dei detersivi: per caricare detersivi e additivi (vedi "Detersivi e biancheria").

Tasto **ACCENSIONE/SPEGNIMENTO:** per accendere e spegnere la lavabiancheria.

Manopola **PROGRAMMI:** per impostare i programmi. Durante il programma la manopola resterà ferma.

Tasti e spie **OPZIONE:** per selezionare le opzioni disponibili. La spia relativa all'opzione selezionata rimarrà accesa.

Manopola **CENTRIFUGA:** per impostare la centrifuga o escluderla (vedi "Personalizzazioni").

Manopola **TEMPERATURA:** per impostare la temperatura o il lavaggio a freddo (vedi "Personalizzazioni").


DISPLAY: per visualizzare la durata dei vari programmi a disposizione e a ciclo avviato il tempo residuo alla fine dello stesso; nel caso fosse stata impostata una PARTENZA RITARDATA, viene visualizzato il tempo mancante all'avvio del programma selezionato.

Tasto **PARTENZA RITARDATA** : premere per impostare una partenza ritardata del programma prescelto; il ritardo viene indicato nel display.

SPIE AVANZAMENTO CICLO: per seguire lo stato di avanzamento del programma di lavaggio. La spia accesa indica la fase in corso.


Spia **OBLÒ BLOCCATO:** per capire se l'oblò è apribile (vedi pagina a fianco).

Tasto e spia **AVVIO/PAUSA:** per avviare i programmi o interromperli momentaneamente.

N.B.: per mettere in pausa il lavaggio in corso, premere questo tasto, la spia relativa lampeggerà con colore arancione mentre quella della fase in corso sarà accesa fissa. Se la spia OBLÒ BLOCCATO  sarà spenta, si potrà aprire l'oblò.

Per far ripartire il lavaggio dal punto in cui è stato interrotto, premere nuovamente questo tasto.

Modalità stand by

Questa lavatrice, in conformità alle nuove normative legate al risparmio energetico, è dotata di un sistema di autospegnimento (stand by) che entra in funzione dopo circa 30 minuti nel caso di non utilizzo. Premere brevemente il tasto ON-OFF  e attendere che la macchina si riattivi.

Spie

Le spie forniscono informazioni importanti. Ecco che cosa dicono:

Spie fase in corso

Una volta selezionato e avviato il ciclo di lavaggio desiderato, le spie si accenderanno progressivamente per indicarne lo stato di avanzamento:

Lavaggio	● 
Risciacquo	● 
Centrifuga	● 
Scarico	● 
Fine lavaggio	● END

Tasti opzione e relative spie


Selezionando un'opzione la spia relativa si illuminerà. Se l'opzione selezionata non è compatibile con il programma impostato la spia relativa lampeggerà e l'opzione non verrà attivata. Se l'opzione selezionata non è compatibile con un'altra precedentemente impostata, la spia relativa alla prima funzione selezionata lampeggerà e verrà attivata solo la seconda, la spia dell'opzione attivata si illuminerà.

Spia oblò bloccato

La spia accesa indica che l'oblò è bloccato per impedire l'apertura; per aprire l'oblò è necessario che la spia sia spenta.



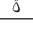
Per aprire l'oblò mentre un ciclo è in corso premere il pulsante AVVIO/PAUSA; se la spia OBLÒ BLOCCATO è spenta sarà possibile aprire l'oblò.

Avviare un programma

1. Accendere la lavabiancheria premendo il tasto ACCENSIONE/SPEGNIMENTO. Tutte le spie si accenderanno per qualche secondo, poi si spegneranno e pulserà la spia AVVIO/PAUSA.
2. Caricare la biancheria e chiudere l'oblò.
3. Impostare con la manopola PROGRAMMI il programma desiderato.
4. Impostare la temperatura di lavaggio (vedi "Personalizzazioni").
5. Impostare la velocità di centrifuga (vedi "Personalizzazioni").
6. Versare detersivo e additivi (vedi "Detersivi e biancheria").
7. Selezionare le opzioni desiderate.
8. Avviare il programma premendo il tasto AVVIO/PAUSA e la spia relativa rimarrà accesa fissa di colore verde. Per annullare il ciclo impostato mettere la macchina in pausa premendo il tasto AVVIO/PAUSA e scegliere un nuovo ciclo.
9. Al termine del programma si illuminerà la spia **END**. Quando la spia OBLÒ BLOCCATO  si spegnerà sarà possibile aprire l'oblò. Estrarre la biancheria e lasciare l'oblò socchiuso per far asciugare il cestello. Spegnerla la lavabiancheria premendo il tasto ACCENSIONE/SPEGNIMENTO.

Programmi

Tabella dei programmi

Programmi	Descrizione del Programma	Temp. max. (°C)	Velocità max. (giri al minuto)	Detersivi				Carico max. (Kg)		Durata ciclo	
				Prelavaggio	Lavaggio	Candegina	Ammorbidente	Normale	Eco Time		
Giornalieri											
1	Cotone con prelavaggio: bianchi estremamente sporchi.	90°	1000	●	●	-	●	4	-	E' possibile controllare la durata dei programmi di lavaggio sul display.	
2	Cotone bianchi: bianchi estremamente sporchi.	90°	1000	-	●	●	●	4	-		
2	Cotone bianchi (1): bianchi e colorati resistenti molto sporchi.	60°	1000	-	●	●	●	4	-		
2	Cotone bianchi (2): bianchi e colorati delicati molto sporchi.	40°	1000	-	●	●	●	4	-		
3	Cotone: bianchi e colorati resistenti molto sporchi.	60°	1000	-	●	●	●	4	2,5		
4	Cotone Colorati (3): bianchi poco sporchi e colori delicati.	40°	1000	-	●	●	●	4	2,5		
5	Sintetici: colori resistenti poco sporchi.	60°	800	-	●	●	●	1,8	1,5		
6	Sintetici: colori delicati poco sporchi.	40°	800	-	●	●	●	1,8	1,5		
Speciali											
7	Lana: per lana, cachemire, ecc..	40°	600	-	●	-	●	1	-		
8	Seta/Tende: per capi in seta, viscosa, lingerie.	30°	0	-	●	-	●	1	-		
9	Jeans	40°	800	-	●	-	●	1,5	-		
10	Express: Per rinfrescare rapidamente capi poco sporchi (non indicato per la lana, seta e capi da lavare a mano).	30°	800	-	●	-	●	1,5	-		
Sport											
11	Sport Intensive	30°	600	-	●	-	●	1,5	-		
12	Sport Light	30°	600	-	●	-	●	1,5	-		
13	Sport Shoes	30°	600	-	●	-	●	Max. 2 paia	-		
Parziali											
	Risciacquo	-	1000	-	-	●	●	4	-		
	Centrifuga	-	1000	-	-	-	-	4	-		
	Scarico	-	0	-	-	-	-	4	-		

I dati riportati nella tabella hanno valore indicativo.

Per tutti Test Institutes:

- 1) Programma di controllo secondo la norma EN 60456: impostare il programma con una temperatura di 60°C.
- 2) Programma cotone lungo: impostare il programma con una temperatura di 40°C.
- 3) Programma cotone corto: impostare il programma con una temperatura di 40°C.

Programmi particolari

Express (programma 10) è studiato per lavare capi leggermente sporchi in poco tempo: dura solo 15 minuti e fa così risparmiare energia e tempo. Impostando il programma (10 a 30°C) è possibile lavare insieme tessuti di diversa natura (esclusi lana e seta) con un carico massimo di 1,5 kg.

Sport Intensive (programma 11) è studiato per lavare tessuti per abbigliamento sportivo (tute, calzoncini, ecc.) molto sporchi; per ottenere i migliori risultati è consigliabile non superare il carico massimo indicato nella "Tabella dei programmi".

Sport Light (programma 12) è studiato per lavare tessuti per abbigliamento sportivo (tute, calzoncini, ecc.) poco sporchi; per ottenere i migliori risultati è consigliabile non superare il carico massimo indicato nella "Tabella dei programmi".

Si raccomanda di usare detersivo liquido, usare una dose adatta a mezzo carico.

Sport Shoes (programma 13) è studiato per lavare scarpe sportive; per ottenere i migliori risultati non lavarne più di 2 paia.

Impostare la temperatura

Ruotando la manopola TEMPERATURA si imposta la temperatura di lavaggio (vedi *Tabella programmi*).

La temperatura si può ridurre sino al lavaggio a freddo (❄).

La macchina impedirà automaticamente di impostare una temperatura maggiore a quella massima prevista per ogni programma.

Impostare la centrifuga

Ruotando la manopola CENTRIFUGA si imposta la velocità di centrifuga del programma selezionato.

Le velocità massime previste per i programmi sono:

Programmi	Velocità massima
Cotone	1000 giri al minuto
Sintetici	800 giri al minuto
Lana	600 giri al minuto
Seta	solo scarico

La velocità di centrifuga può essere ridotta, oppure esclusa selezionando il simbolo (🌀).

La macchina impedirà automaticamente di effettuare una centrifuga maggiore a quella massima prevista per ogni programma.

Opzioni

Le varie opzioni di lavaggio previste dalla lavabiancheria permettono di ottenere la pulizia e il bianco desiderati.

Per attivare le opzioni:

1. premere il tasto relativo all'opzione desiderata;
2. l'accensione della spia relativa segnala che l'opzione è attiva.

Nota: Il lampeggio veloce della spia indica che l'opzione relativa non è selezionabile per il programma impostato.

Partenza ritardata

per impostare la partenza ritardata del programma prescelto, premere il tasto relativo fino a raggiungere il tempo di ritardo desiderato. Quando tale opzione è attiva, sul display si illumina il simbolo (🕒). Per rimuovere la partenza ritardata premere il tasto fino a che sul display compare la scritta "OFF".

! E' attivo con tutti i programmi.

EcoTime

Selezionando questa opzione la movimentazione meccanica, la temperatura e l'acqua sono ottimizzate per un carico ridotto di cotone e sintetici poco sporchi (vedi "*Tabella dei programmi*").

Con "*EcoTime*" puoi lavare in tempi ridotti, risparmiando acqua ed energia. Si consiglia di utilizzare una dose di detersivo liquido adatta alla quantità di carico.

! Non è attivabile sui programmi 1, 2, 7, 8, 9, 10, 11, 12, 13, 🌀, 🕒, 🕒.

Antimacchia

Ciclo di candeggio adatto a eliminare le macchie più resistenti. Ricordarsi di versare la candeggina nella vaschetta aggiuntiva 4 (vedi "*Ciclo candeggio*").

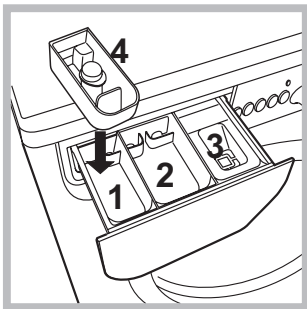
! Non è attivabile sui programmi 1, 7, 8, 9, 10, 11, 12, 13, 🕒, 🕒.

Detersivi e biancheria

Cassetto dei detersivi

Il buon risultato del lavaggio dipende anche dal corretto dosaggio del detersivo: eccedendo non si lava in modo più efficace e si contribuisce a incrostare le parti interne della lavabiancheria e a inquinare l'ambiente.

! Non usare detersivi per il lavaggio a mano, perché formano troppa schiuma.



Estrarre il cassetto dei detersivi e inserire il detersivo o l'additivo come segue.

vaschetta 1: Detersivo per prelavaggio (in polvere)

Prima di versare il detersivo verificare che non sia inserita la vaschetta aggiuntiva 4.

vaschetta 2: Detersivo per lavaggio (in polvere o liquido)

Il detersivo liquido va versato solo prima dell'avvio.

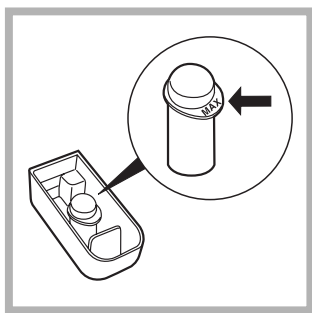
vaschetta 3: Additivi (ammorbidente, ecc.)

L'ammorbidente non deve fuoriuscire dalla griglia.

vaschetta aggiuntiva 4: Candeggina

Ciclo candeggina

! La candeggina **tradizionale** si usa per i tessuti resistenti bianchi, quella **delicata** per i tessuti colorati, i sintetici e per la lana.



Inserire la vaschetta aggiuntiva 4, in dotazione, nella vaschetta 1.

Nel dosare la candeggina non superare il livello "max" indicato sul perno centrale (vedi figura).

Per effettuare solo il candeggina versare la candeggina nella vaschetta aggiuntiva 4, impostare il programma "Risciacquo" e attivare la funzione "Antimacchia" .

Per candeggiare durante il lavaggio versare il detersivo e gli additivi, impostare il programma desiderato e attivare la funzione "Antimacchia" .

L'utilizzo della vaschetta aggiuntiva 4 esclude il prelavaggio.

Preparare la biancheria

- Suddividere la biancheria secondo:
 - il tipo di tessuto / il simbolo sull'etichetta.
 - i colori: separare i capi colorati da quelli bianchi.
- Vuotare le tasche e controllare i bottoni.
- Non superare i valori indicati, riferiti al peso della biancheria asciutta:
 - Tessuti resistenti: max. 4 kg
 - Tessuti sintetici: max. 1,8 kg
 - Tessuti delicati: max. 1,5 kg
 - Lana: max. 1 kg
 - Seta: max. 1 Kg

Quanto pesa la biancheria?

- 1 lenzuolo 400-500 gr.
- 1 federa 150-200 gr.
- 1 tovaglia 400-500 gr.
- 1 accappatoio 900-1.200 gr.
- 1 asciugamano 150-250 gr.

Capi particolari

Lana: con il programma **7** è possibile lavare in lavatrice tutti i capi in lana, anche quelli con l'etichetta "solo lavaggio a mano" . Per ottenere i migliori risultati utilizzare un detersivo specifico e non superare 1 kg di bucato.

Seta: utilizzare l'apposito programma **8** per lavare tutti i capi in seta. Si consiglia l'utilizzo di un detersivo specifico per capi delicati.

Tende: si raccomanda di piegarle e sistemarle dentro una federa o un sacchetto a rete. Utilizzare il programma **8**.

Jeans: rovesciare i capi prima del lavaggio ed utilizzare un detersivo liquido. Utilizzare il programma **9**.

Sistema bilanciamento del carico

Prima di ogni centrifuga, per evitare vibrazioni eccessive e per distribuire il carico in modo uniforme, il cestello effettua delle rotazioni ad una velocità leggermente superiore a quella del lavaggio. Se al termine di ripetuti tentativi il carico non fosse ancora correttamente bilanciato la macchina effettua la centrifuga ad una velocità inferiore a quella prevista. In presenza di eccessivo sbilanciamento la lavabiancheria effettua la distribuzione anziché la centrifuga. Per favorire una migliore distribuzione del carico e il suo corretto bilanciamento si consiglia di mescolare capi grandi e piccoli.

! La lavabiancheria è stata progettata e costruita in conformità alle norme internazionali di sicurezza. Queste avvertenze sono fornite per ragioni di sicurezza e devono essere lette attentamente.

Sicurezza generale

- Questo apparecchio è stato concepito esclusivamente per un uso di tipo domestico.
- L'apparecchio non deve essere utilizzato da persone (bambini compresi) con capacità fisiche, sensoriali o mentali ridotte e con esperienze e conoscenze insufficienti, a meno che tale utilizzo non avvenga sotto la supervisione o le istruzioni di una persona responsabile della loro sicurezza. I bambini devono essere sorvegliati per garantire che non giochino con l'apparecchio.
- La lavabiancheria deve essere usata solo da persone adulte e secondo le istruzioni riportate in questo libretto.
- Non toccare la macchina a piedi nudi o con le mani o i piedi bagnati o umidi.
- Non staccare la spina dalla presa della corrente tirando il cavo, bensì afferrando la spina.
- Non aprire il cassetto dei detersivi mentre la macchina è in funzione.
- Non toccare l'acqua di scarico, che può raggiungere temperature elevate.
- Non forzare in nessun caso l'oblò: potrebbe danneggiarsi il meccanismo di sicurezza che protegge da aperture accidentali.
- In caso di guasto, in nessun caso accedere ai meccanismi interni per tentare una riparazione.
- Controllare sempre che i bambini non si avvicinino alla macchina in funzione.
- Durante il lavaggio l'oblò tende a scaldarsi.
- Se dev'essere spostata, lavorare in due o tre persone con la massima attenzione. Mai da soli perché la macchina è molto pesante.
- Prima di introdurre la biancheria controlla che il cestello sia vuoto.

Smaltimento

- Smaltimento del materiale di imballaggio: attenersi alle norme locali, così gli imballaggi potranno essere riutilizzati.
- La direttiva Europea 2002/96/CE sui rifiuti di apparecchiature elettriche ed elettroniche, prevede che gli elettrodomestici non debbano essere smaltiti nel normale flusso dei rifiuti solidi urbani. Gli apparecchi dismessi devono essere raccolti separatamente per ottimizzare il tasso di recupero

e riciclaggio dei materiali che li compongono ed impedire potenziali danni per la salute e l'ambiente. Il simbolo del cestino barrato è riportato su tutti i prodotti per ricordare gli obblighi di raccolta separata.

Per ulteriori informazioni, sulla corretta dismissione degli elettrodomestici, i detentori potranno rivolgersi al servizio pubblico preposto o ai rivenditori.

Manutenzione e cura

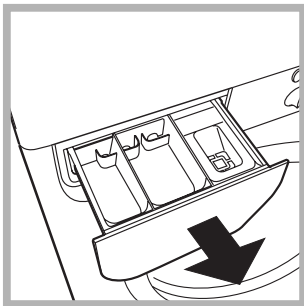
Escludere acqua e corrente elettrica

- Chiudere il rubinetto dell'acqua dopo ogni lavaggio. Si limita così l'usura dell'impianto idraulico della lavabiancheria e si elimina il pericolo di perdite.
- Staccare la spina della corrente quando si pulisce la lavabiancheria e durante i lavori di manutenzione.

Pulire la lavabiancheria

La parte esterna e le parti in gomma possono essere puliti con un panno imbevuto di acqua tiepida e sapone. Non usare solventi o abrasivi.

Pulire il cassetto dei detersivi



Sfilare il cassetto tirandolo verso l'esterno (vedi figura). Lavarlo sotto l'acqua corrente; questa pulizia va effettuata frequentemente.

Curare oblò e cestello

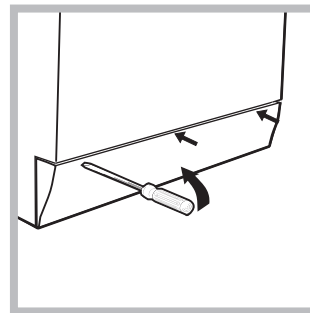
- Lasciare sempre socchiuso l'oblò per evitare che si formino cattivi odori.

Pulire la pompa

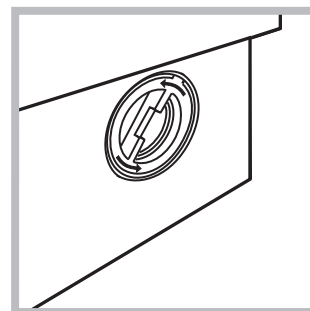
La lavabiancheria è dotata di una pompa autopulente che non ha bisogno di manutenzione. Può però succedere che piccoli oggetti (monete, bottoni) cadano nella precamera che protegge la pompa, situata nella parte inferiore di essa.

! Assicurarsi che il ciclo di lavaggio sia terminato e staccare la spina.

Per accedere alla precamera:



1. rimuovere il pannello di copertura sul lato anteriore della lavabiancheria con l'ausilio di un giravite (vedi figura);



2. svitare il coperchio ruotandolo in senso antiorario (vedi figura): è normale che fuoriesca un po' d'acqua;

3. pulire accuratamente l'interno;
4. riavvitare il coperchio;
5. rimontare il pannello assicurandosi, prima di spingerlo verso la macchina, di aver inserito i ganci nelle apposite asole.

Controllare il tubo di alimentazione dell'acqua

Controllare il tubo di alimentazione almeno una volta all'anno. Se presenta screpolature e fessure va sostituito: durante i lavaggi le forti pressioni potrebbero provocare improvvise spaccature.

! Non utilizzare mai tubi già usati.

Può accadere che la lavabiancheria non funzioni. Prima di telefonare all'Assistenza (vedi "Assistenza"), controllare che non si tratti di un problema facilmente risolvibile aiutandosi con il seguente elenco.

Anomalie:

La lavabiancheria non si accende.

Il ciclo di lavaggio non inizia.

La lavabiancheria non carica acqua (Sul display viene visualizzata la scritta H2O lampeggiante).

La lavabiancheria carica e scarica acqua di continuo.

La lavabiancheria non scarica o non centrifuga.

La lavabiancheria vibra molto durante la centrifuga.

La lavabiancheria perde acqua.

Le spie delle "opzioni" e la spia di "avvio/pausa" lampeggiano e una delle spie della "fase in corso" e di "oblò bloccato" si accendono fisse.

Si forma troppa schiuma.

Possibili cause / Soluzione:

- La spina non è inserita nella presa della corrente, o non abbastanza da fare contatto.
- In casa non c'è corrente.

- L'oblò non è ben chiuso.
- Il tasto ACCENSIONE/SPEGNIMENTO non è stato premuto.
- Il tasto AVVIO/PAUSA non è stato premuto.
- Il rubinetto dell'acqua non è aperto.
- Si è impostato un ritardo sull'ora di avvio.

- Il tubo di alimentazione dell'acqua non è collegato al rubinetto.
- Il tubo è piegato.
- Il rubinetto dell'acqua non è aperto.
- In casa manca l'acqua.
- Non c'è sufficiente pressione.
- Il tasto AVVIO/PAUSA non è stato premuto.

- Il tubo di scarico non è installato fra 65 e 100 cm da terra (vedi "Installazione").
- L'estremità del tubo di scarico è immersa nell'acqua (vedi "Installazione").
- Lo scarico a muro non ha lo sfiato d'aria.

Se dopo queste verifiche il problema non si risolve, chiudere il rubinetto dell'acqua, spegnere la lavabiancheria e chiamare l'Assistenza. Se l'abitazione si trova agli ultimi piani di un edificio, è possibile che si verifichino fenomeni di sifonaggio, per cui la lavabiancheria carica e scarica acqua di continuo. Per eliminare l'inconveniente sono disponibili in commercio apposite valvole anti-sifonaggio.

- Il programma non prevede lo scarico: con alcuni programmi occorre avviarlo manualmente.
- Il tubo di scarico è piegato (vedi "Installazione").
- La condotta di scarico è ostruita.

- Il cestello, al momento dell'installazione, non è stato sbloccato correttamente (vedi "Installazione").
- La lavabiancheria non è in piano (vedi "Installazione").
- La lavabiancheria è stretta tra mobili e muro (vedi "Installazione").

- Il tubo di alimentazione dell'acqua non è ben avvitato (vedi "Installazione").
- Il cassetto dei detersivi è intasato (per pulirlo vedi "Manutenzione e cura").
- Il tubo di scarico non è fissato bene (vedi "Installazione").

- Spegnere la macchina e togliere la spina dalla presa, attendere circa 1 minuto quindi riaccenderla.
Se l'anomalia persiste, chiamare l'Assistenza.

- Il detersivo non è specifico per lavabiancheria (deve esserci la dicitura "per lavatrice", "a mano e in lavatrice", o simili).
- Il dosaggio è stato eccessivo.

Assistenza

Prima di contattare l'Assistenza:

- Verificare se l'anomalia può essere risolta da soli (vedi "Anomalie e rimedi").
- Riavviare il programma per controllare se l'inconveniente è stato oviato;
- In caso negativo, contattare il Numero Unico 199.199.199*.

! Non ricorrere mai a tecnici non autorizzati.

Comunicare:

- il tipo di anomalia;
- il modello della macchina (Mod.);
- il numero di serie (S/N).

Queste informazioni si trovano sulla targhetta applicata nella parte posteriore della lavabiancheria e nella parte anteriore aprendo l'oblò.

Assistenza Attiva 7 giorni su 7



In caso di necessità d'intervento chiamare il Numero Unico Nazionale 199.199.199*.

Un operatore sarà a completa disposizione per fissare un appuntamento con il Centro Assistenza Tecnico Autorizzato più vicino al luogo da cui si chiama.

È attivo 7 giorni su 7, sabato e domenica compresi, e non lascia mai inascoltata una richiesta.

* Al costo di 14,25 centesimi di Euro al minuto (iva inclusa) dal Lun. al Ven. dalle 08:00 alle 18:30, il Sab. dalle 08:00 alle 13:00 e di 5,58 centesimi di Euro al minuto (iva inclusa) dal Lun. al Ven. dalle 18:30 alle 08:00, il Sab. dalle 13:00 alle 08:00 e i giorni festivi, per chi chiama da telefono fisso. Per chi chiama da radiomobile le tariffe sono legate al piano tariffario dell'operatore telefonico utilizzato. Le suddette tariffe potrebbero essere soggette a variazione da parte dell'operatore telefonico; per maggiori informazioni consultare il sito www.aristonchannel.com.

UK

Українська

IWUD 4105

Зміст

Встановлення, 26-27

Розпакування та вирівнювання
Підключення води й електроенергії
Перший цикл прання
Технічні дані

Опис пральної машини та запуску програм, 28-29

Панель керування
Індикаторні лампи
Як запустити програму

Програми, 30

Таблиця програм

Налаштування під власні потреби, 31

Встановлення температури
Встановлення центрифуги
Опції

Пральні засоби та білизна, 32

Касета для пральних засобів
Цикл відбілювання
Підготовка білизни
Особливі речі
Система балансування завантаження

Заходи безпеки та поради, 33

Загальна безпека
Утилізація

Чищення та догляд, 34

Відключення води й електричного живлення
Очищення пральної машини
Чищення касети для пральних засобів
Догляд за люком та барабаном
Чищення насосу
Контроль труби подачі води

Несправності та засоби їх усунення, 35

Допомога, 36

Встановлення

УК

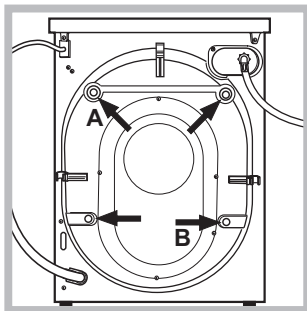
! Необхідно зберігати дану брошуру, щоб мати нагоду звернутися до неї у будь-який момент. У випадку продажу, передачі іншій особі або переїзду переконайтеся, що інструкція перебуває разом із пральною машиною й новий власник може ознайомитися з її принципами роботи й відповідними запобіжними заходами.

! Уважно вивчіть інструкцію: в ній міститься важлива інформація щодо встановлення, використання та безпеки.

Розпакування та вирівнювання

Розпакування

1. Розпакування пральної машини
2. Вдоскональтеся, що машина не зазнала ушкоджень під час транспортування. Якщо вона має пошкодження, не виконуйте ніяких підключень та негайно зверніться до постачальника.



3. Видаліть 4 запобіжні гвинти для транспортування та прокладку з відповідною розпірною деталлю, які знаходяться позаду (див. малюнок).

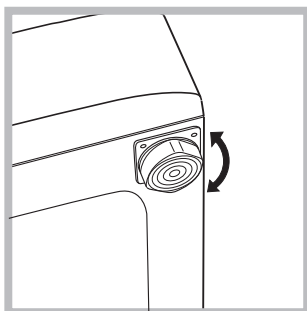
4. Закрийте отвори пластиковими заглушками з комплекту постачання.
5. Збережіть усі деталі: якщо пральна машина має перевозитися, їх потрібно встановити знову.

! Забороняйте дітям гратися з упаковками.

! Кожного разу при нахилі або пересуванні машини необхідно встановити на місце гвинти, гумову прокладку то розпірку (поз. А та В). Це збереже цілісність внутрішніх компонентів. Після завершення операції необхідно видалити їх знову.

Вирівнювання

1. Встановіть пральну машину на рівній та твердій підлозі, не притуляючи її до стін, меблів, тощо.

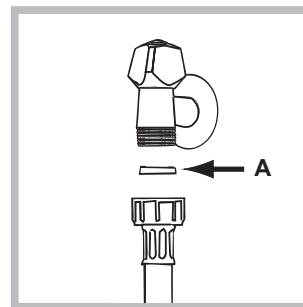


2. Якщо підлога не є ідеально горизонтальною, компенсуйте нерівності за допомогою передніх ніжок (див. малюнок) – розкручуючи чи закручуючи їх; кут нахилу відносно робочої поверхні не повинен перевищувати 2°.

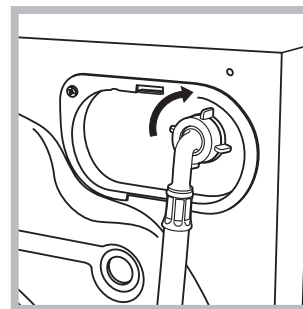
Належне вирівнювання надає стабільність машині та запобігає вібрації, шуму та пересуванню під час роботи. При встановленні машини на килимовому покритті або килимі відрегулюйте ніжки таким чином, щоб залишити під пральною машиною достатній простір для вентиляції.

Підключення води й електроенергії

Під'єднання труби подачі води



1. Підключити живлячий трубопровід, прикрутивши його до крану холодної води за допомогою штучеру з газовою різьбою 3/4 (див. малюнок). Перед підключенням спустіть воду, доки вона не стане прозорою.



2. Підключіть трубу подачі води до пральної машини, прикрутивши її до роз'єму для води, який знаходиться угорі праворуч на задньому боці машини (див. малюнок).

3. Зверніть увагу, щоб труба не мала згинів та утисків.

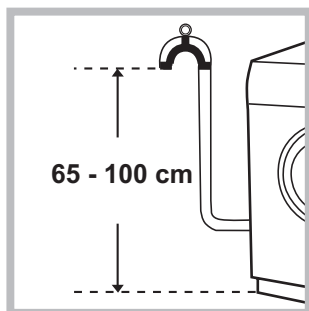
! Тиск води в крані має відповідати значенням у таблиці Технічних даних (див. сторінку поруч).

! Якщо довжини труби подачі води не вистачає, зверніться у спеціалізовану крамницю або до уповноваженого фахівця.

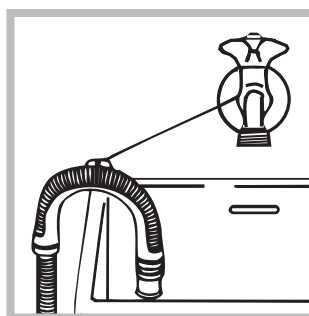
! Не використовуйте ніколи труби, що вже були у користуванні.

! Використовуйте труби з комплекту постачання до машини.

Підключення зливного шланга



Підключіть зливний шланг, не згинаючи його, до каналізаційного каналу або до входу до такого каналу на стіні, на відстані від 65 до 100 см від підлоги;



або покладіть його на край вмивальника або ванни, поєднавши направляючу, яка входить до комплекту постачання, до крану (див. малюнок). Не залишайте вільний кінець зливного шланга зануреним у воду.

! Використання подовжувача шланга не рекомендоване. В разі необхідності використання подовжувача шлангу, переконайтеся у тому, що він має той самий діаметр та його довжина не перевищує 150 см.

Електричні підключення

Перш ніж вставити вилку в електричну розетку, переконайтеся, що:

- розетка має заземлення у відповідності до встановлених норм;
- розетка розрахована на максимальне навантаження у межах потужності машини, зазначене у таблиці Технічних даних (див. малюнок поруч);
- напруга живлення перебуває у межах, зазначених у таблиці Технічних даних (див. малюнок поруч);
- розетка підходить до вилки пральної машини. В іншому випадку замініть розетку або вилку.

! Машину не можна встановлювати поза приміщенням, навіть в захищених місцях, тому що дуже небезпечно піддавати її впливу дощу і грози.

! Коли машину вже встановлено, забезпечте вільний доступ до електричної розетки.

! Не використовуйте подовжувачі й трійники.



! Шнур живлення не повинен мати згинів або утисків.

! Проводити заміну шнуру живлення можуть тільки вповноважені фахівці.

Увага! Компанія знімає з себе відповідальність за умови недотримання вказаних норм.

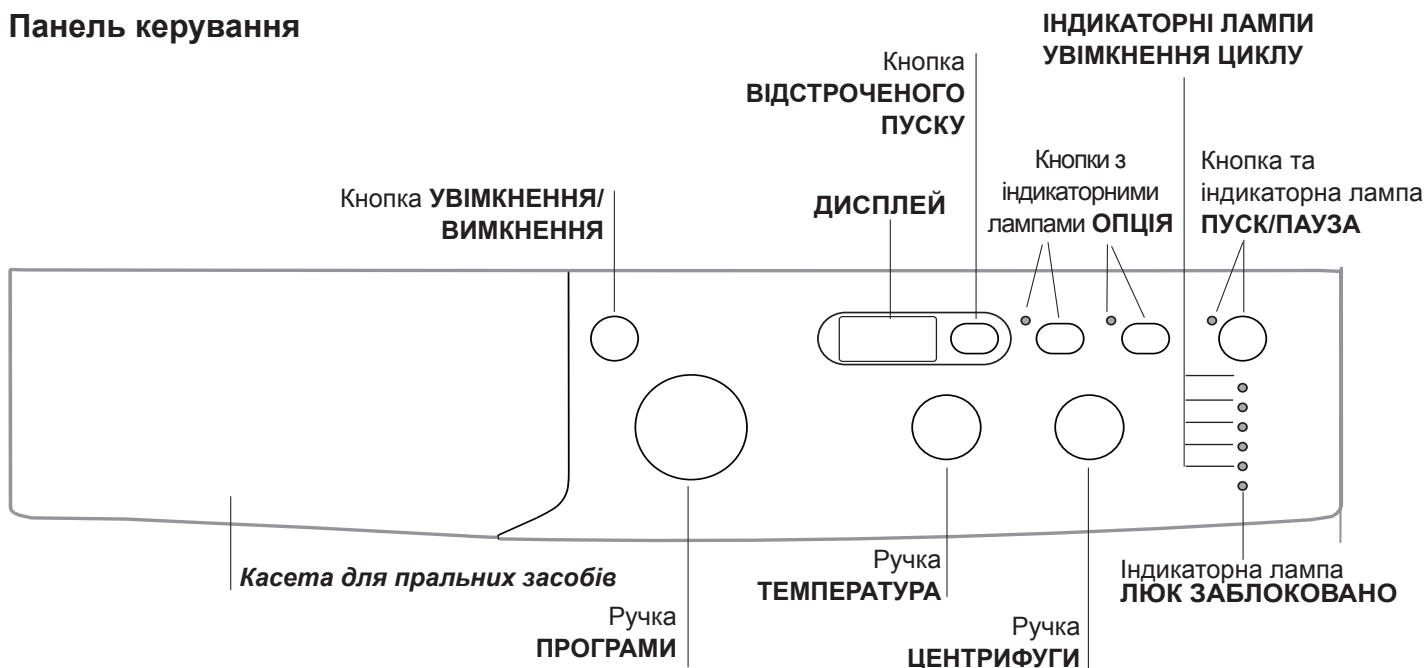
Перший цикл прання

Після встановлення та перш ніж розпочати використання машини, виконайте цикл прання з пральним засобом але не завантажуючи білизну, встановивши програму 2.

Технічні дані	
Модель	IWUD 4105
Розміри	ширина 59,5 см висота 85 см глибина 33 см
Кількість білизни	від 1 до 4 кг
Електричні підключення	див. шильдік з технічними даними на машині
Водопровідні підключення	максимальний тиск 1 мПа (10 бар) мінімальний тиск 0,05 мПа (0,5 бар) об'єм баку – 27 літри
Швидкість центрифуги	до 1000 обертів на хвилину
Програми контролю згідно з нормою EN 60456	програма 2; температура 60°C; виконується з завантаженням 4 кг.
 	Цей прилад відповідає таким європейським директивам: - 2004/108/CE (Електромагнітна сумісність) - 2002/96/CE - 2006/95/CE (Низька напруга)

Опис пральної машини та процедури із запуску програм

Панель керування



Касета з пральним засобом: для завантаження пральних засобів та засобів догляду (див. “Пральні засоби та білизна”).

Кнопка УВІМКНЕННЯ/ВИМКНЕННЯ: для увімкнення й вимкнення пральної машини

Ручка ПРОГРАМИ: для задання бажаних програм. Під час програми ручка залишається нерухомою.

Кнопки та індикаторні лампи ОПЦІЯ: для вибору наявних опцій. Індикаторна лампа обраної опції залишається увімкненою.

Ручка ЦЕНТРИФУГИ: для установки центрифуги або для вимкнення її (див. “Налаштування під власні потреби”).


Ручка ТЕМПЕРАТУРА: для установки температури або холодного прання (див. “Налаштування під власні потреби”).

ДИСПЛЕЙ: для відображення тривалості різних наявних програм та при розпочатому циклі – для відображення часу, який залишився до завершення цього циклу; якщо встановлено ВІДСТРОЧЕНИЙ ПУСК, відображається час, якого бракує до початку роботи вибраної програми.

Кнопка ВІДКЛАДЕНИЙ ЗАПУСК : натискання викликає відкладений запуск вибраної програми; значення відстрочення відображається на дисплеї.

ІНДИКАТОРНІ ЛАМПИ УВІМКНЕННЯ ЦИКЛУ: для спостереження за станом програми прання. Увімкнена індикаторна лампа вказує на активовану фазу.

Індикаторна лампа ЛЮК ЗАБЛОКОВАНО: для перевірки того, чи люк може відкриватись (див. сторінку поруч).

Кнопка та індикаторна лампа ПУСК/ПАУЗА: для запуску програм або для їх тимчасового переривання. **Увага:** щоб установити в режим паузи поточне прання, натисніть на цю кнопку, відповідна кнопка почне блимати помаранчевим кольором, в той час як індикаторна лампа поточної фази світитиметься постійним світлом. Якщо індикаторна лампа ЛЮК ЗАБЛОКОВАНО  згасне, можна відкривати люк для завантаження білизни.

Щоб продовжити прання з місця, де воно було перервано, знову натисніть на цю кнопку.

Режим очікування






Відповідно до норм, пов'язаних з заощадження енергії, цю пральну машину оснащено системою автовимкнення (stand by), яка активується через декілька (30) секунд відсутності роботи з боку машини. Швидко натисніть кнопку УВІМКНЕННЯ/ВИМКНЕННЯ та зачекайте відновлення роботи машини.

Індикаторні лампи

Індикаторні лампи надають важливу інформацію. От на що вони вказують:

Індикаторні лампи поточних операцій

Після обрання та запуску бажаного циклу прання індикаторні лампи вмикаються по черзі, щоб вказати на стан програми:

Прання	
Полоскання	
Віджим	
Злив	
Кінець прання	

Кнопки опцій та відповідні індикаторні лампи

Після вибору опції відповідна індикаторна лампа починає світитися.

Якщо вибрана опція несумісна з заданою програмою, індикаторна лампа почне блимати й опція не активується.


Якщо вибрана опція не є сумісною з іншою, раніше вибраною, індикаторна лампа попередньої функції почне блимати, при цьому буде активовано тільки останню опцію, засвітиться індикаторна лампа активованої опції.

Індикаторна лампа ЛЮК ЗАБЛОКОВАНО

Увімкнена індикаторна лампа вказує на те, що люк заблокований; відкривати люк можна лише коли ця лампа не світиться.

Щоб відкрити люк під час виконання циклу, натисніть кнопку ПУСК/ПАУЗА; якщо індикаторна лампа ЛЮК ЗАБЛОКОВАНО згасла, це означає, що можна відкрити люк.

Як запустити програму

1. Увімкніть пральну машину, натиснувши на кнопку УВІМКНЕННЯ/ВИМКНЕННЯ. Усі індикаторні лампи увімкнуться на декілька секунд, потім згаснуть та почне блимати індикаторна лампа ПУСК/ПАУЗА.
2. Завантажте білизну й закрийте люк.
3. Встановіть за допомогою ручки ПРОГРАМ бажану програму.
4. Встановіть температуру прання (див. "Налаштування під власні потреби").
5. Встановіть швидкість центрифуги (див. "Налаштування під власні потреби").
6. Додайте пральні засоби та засоби догляду (див. "Пральні засоби та білизна").
7. Виберіть бажані опції.
8. Запустіть програму, натиснувши кнопку ПУСК/ПАУЗА й відповідна індикаторна лампа загориться зеленим світлом. Для скасування заданого циклу встановіть машину в режим паузи, натиснувши кнопку ПУСК/ПАУЗА, та оберіть новий цикл.
9. Наприкінці програми почне світитися індикаторна лампа "END". Якщо індикаторна лампа ЛЮК ЗАБЛОКОВАНО  згасне, можна відкривати люк для завантаження білизни. Вийміть білизну та залиште люк напіввідкритим, щоб висушити барабан. Вимкніть пральну машину, натиснувши на кнопку УВІМКНЕННЯ/ВИМКНЕННЯ.

Програми

UK

Таблиця програм

Програми	Опис програми	Макс. темп. (°C)	Макс. швидкість (обертів за хвилину)	Пральний засіб				Макс. завантаження (кг)		Тривалість циклу	
				Попереднє прання	Прання	Відбілювач	Пом'якшувач	Нормальне	Eco Time		
Щоденні											
1	Бавовна з попереднім пранням: білі надзвичайно забруднені.	90°	1000	●	●	-	●	4	-	Тривалість програми прання на відображено на дисплеї.	
2	Бавовна: білі надзвичайно забруднені.	90°	1000	-	●	●	●	4	-		
2	Бавовна (1): білі та кольорові міцні сильно забруднені.	60°	1000	-	●	●	●	4	-		
2	Бавовна (2): білі та кольорові делікатні сильно забруднені.	40°	1000	-	●	●	●	4	-		
3	Бавовна: білі та кольорові міцні сильно забруднені.	60°	1000	-	●	●	●	4	2,5		
4	Бавовна кольорові (3): білі слабо забруднені та кольорові делікатні.	40°	1000	-	●	●	●	4	2,5		
5	Синтетичні: кольорові міцні тканини слабо забруднені	60°	800	-	●	●	●	1,8	1,5		
6	Синтетичні: кольорові міцні тканини слабо забруднені	40°	800	-	●	●	●	1,8	1,5		
Спеціальні											
7	Вовна: Для вовни, кашеміру, тощо.	40°	600	-	●	-	●	1	-		
8	Шовк/Штори: Для речей з шовку, віскози, нижньої білизни.	30°	0	-	●	-	●	1	-		
9	Jeans	40°	800	-	●	-	●	1,5	-		
10	Mix 15': Для швидкого освіження злегка забруднених речей (не рекомендоване для вовняних, шовкових речей та речей для ручного прання)	30°	800	-	●	-	●	1,5	-		
Спорт											
11	Sport Intensive	30°	600	-	●	-	●	1,5	-		
12	Sport Light	30°	600	-	●	-	●	1,5	-		
13	Sport Shoes	30°	600	-	●	-	●	Макс 2 пари	-		
Неповні											
	Полоскання	-	1000	-	-	●	●	4	-		
	Віджимання	-	1000	-	-	-	-	4	-		
	Зливання	-	0	-	-	-	-	4	-		

Дані, наведені в таблиці, є суто вказівними.

Для всіх Установ з проведення випробувань:

- 1) Програма керування згідно до норми EN 60456: встановіть програму 2 з температурою 60°C.
- 2) Довга програма бавовна: задайте програму 2 з температурою 40°C.
- 3) Коротка програма бавовна: задайте програму 4 з температурою 40°C.

Спеціальні програми

Mix 15' (програма 10) розрахована для прання злегка забруднених речей за короткий час: її тривалість складає лише 15 хвилин, що заощаджує енергоспоживання та час. За допомогою програмим (10 при 30°C) можна випрати разом тканини різноманітної структури (за винятком вовни та шовку) при максимальному завантаженні у 1,5 кг.

Sport Intensive (програма 11) розрахована для прання дуже забруднених виробів з тканин, використовуваних для спортивного одягу (спортивні костюми, шкарпетки, тощо.); для отримання найкращих результатів не перевищуйте максимальне завантаження, вказане у "Таблиці програм".

Sport Light (програма 12) розрахована для прання не дуже забруднених виробів з тканин, використовуваних для спортивного одягу (спортивні костюми, шкарпетки, тощо.); для отримання найкращих результатів не перевищуйте максимальне завантаження, вказане у "Таблиці програм".

Використовуйте рідкий пральний засіб та відміряйте дозу для половинного завантаження.

Sport Shoes (програма 13) розрахована для прання спортивного взуття; для отримання найкращих результатів не завантажуйте більше 2 пар взуття.

Встановлення температури

Обертаючи ручку ТЕМПЕРАТУРИ, ви можете задати температуру прання (див. *Таблицю програм*).

Ви можете знижувати температуру аж до прання в холодній воді (❄).

Машина перешкоджатиме встановленню температури, яка перевищує максимально дозволена для кожної конкретної програми.

Встановлення центрифуги

Обертаючи ручку ЦЕНТРИФУГИ, ви можете задати швидкість центрифуги обраної програми.

Максимальні значення швидкості, передбачені для програм:

Програми	Максимальна швидкість
Бавовна	1000 обертів за хвилину
Синтетичні тканини	800 обертів за хвилину
Вовна	600 обертів за хвилину
Шовк	тільки злив води

Швидкість центрифуги можна зменшити чи виключити взагалі; оберіть для цього позначку ⓪.

Машина автоматично перешкоджатиме віджиму, який перевищує максимально дозволена значення для кожної конкретної програми.

Опції

Різноманітні опції прання, передбачені у пральній машині, дозволяють отримати бажану чистоту та білизну ваших речей.

Для активації опцій:

- натисніть на кнопку бажаної опції;
- запалення відповідної індикаторної лампи вказує на те, що опцію активовано.

Примітка: Швидке блимання індикаторної лампи вказує на те, що відповідну опцію не можна обрати для заданої програми.

Відстрочений пуск

Для встановлення відстроченого пуску обраної програми натискайте на відповідну кнопку, доки не з'явиться потрібний час відстрочки. Коли ця опція активна, на дисплеї горить позначка . Щоб вимкнути відкладений пуск, натисніть кнопку , аж поки на дисплеї не з'явиться напис "OFF".

! Працює з усіма програмами.

EcoTime

При виборі цієї опції механічний рух, температура та вода оптимізуються під неповне завантаження слабко забруднених бавовни та синтетичних тканин (див. "Таблицю програм").

За допомогою "EcoTime" можна здійснити прання у скорочений час, заощаджуючи воду та енергію.

Рекомендується застосовувати рідкий засіб для прання, дозуючи його залежно від завантаження.

! Не працює з програмами 1, 2, 7, 8, 9, 10, 11, 12, 13, , , .

Видалення плям

Цикл відбілювання придатний для видалення найбільш стійких плям. Не забувайте додати відбілювач у додаткову ванночку 4 (див. "Цикл відбілювання").

! Не працює з програмами 1, 7, 8, 9, 10, 11, 12, 13, , .

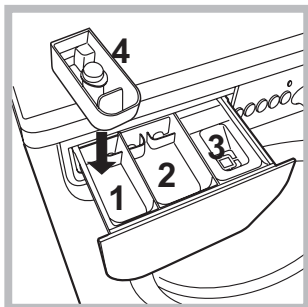
Пральні засоби та білизна

УК

Касета з пральним засобом

Добрий результат прання залежить також від правильного дозування прального засобу: надлишок прального засобу приведе до неефективного прання та сприятиме утворенню накипу всередині пральної машини, а також забрудненню довіклля.

! Не використовуйте засоби для ручного прання, тому що вони утворюють надто багато піни.



Витягніть касету для пральних засобів та додайте пральні засоби або засоби з догляду, як вказано нижче.

ванночка 1: Засіб для попереднього прання (порошковий)

Перш ніж додати пральний засіб, перевірте, щоб не була вставлена додаткова ванночка 4.

ванночка 2: Засіб для прання (порошковий чи рідкий)

Рідкий пральний засіб наливайте безпосередньо перед запуском машини.

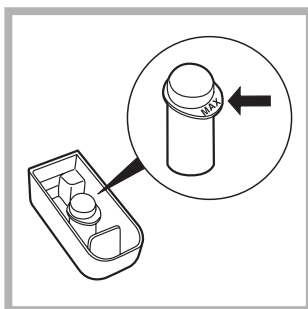
ванночка 3: Засоби з догляду (пом'якшувач, тощо)

Пом'якшувач не має витікати з решітки.

додаткова ванночка 4: Відбілювач

Цикл відбілювання

! Традиційний **відбілювач** використовується міцних білих тканин, **делікатний відбілювач** для кольорових тканин, синтетичних тканин та для вовни.



Вставте додаткову ванночку 4 з комплекту постачання у ванночку 1. Під час дозування відбілювача не перевищуйте максимальний рівень "max", зазначений на центральному стрижні (див. малюнок).

Якщо ви бажаєте тільки відбілити білизну, додайте відбілювач у додаткову ванночку 4, встановіть програму "Полоскання" та активуйте функцію "Видалення плям".

Для відбілювання під час прання додайте пральний засіб та засоби для догляду, встановіть бажану програму та активуйте функцію "Видалення плям". Використання додаткової ванночки 4 виключає попереднє прання.

Підготовка білизни

- Розділіть білизну, враховуючи: тип тканини / позначку на етикетці. кольори: відокремте кольорові речі від білих.
- Перевірте кишені й гудзики.
- Не перевищуйте вказані значення щодо ваги сухої білизни:
Міцні тканини: макс. 4 кг
Синтетичні тканини: макс. 1,8 кг
Делікатні тканини: макс. 1,5 кг
Вовна: макс. 1 кг
Шовк: макс. 1 кг

Скільки важить білизна?

- 1 простирadlo 400-500 г
- 1 наволочка 150-200 г
- 1 скатертина 400-500 г
- 1 махровий халат 900-1200 г
- 1 рушник 150-250 г

Особливі речі

Вовна: за допомогою програми 7 можна прати у пральній машині всі вироби із вовни, навіть ті, що мають ярлик "тільки ручне прання". Щоб отримати кращі результати, використовуйте спеціальний пральний засіб та не перевищуйте завантаження в 1 кг.

Шовк: використовуйте спеціальну програму 8 для прання шовкових речей. Рекомендується використання спеціального прального засобу для делікатних виробів.

Штори: рекомендується скласти й покласти у наволочку або мішечок з сітки. Скористайтеся програмою 8.

Jeans: виверніть навиворіт речі ще до завантаження та скористайтеся рідким засобом для прання. Скористайтеся програмою 9.

Система балансування завантаження

До кожного віджиму у центрифугі, для запобігання надмірній вібрації та для рівномірного розподілу завантаження, барабан здійснює оберти на дещо більшій швидкості, ніж швидкість прання. Якщо по закінченні декількох спроб завантажені речі ще не були правильно відбалансовані, запустить центрифугу на швидкості, меншій за передбачену. У випадку надмірної незбалансованості пральна машина здійснює розподіл замість віджиму. З метою оптимального розподілу завантаження та його правильного балансування рекомендується одночасне прання великих і малих речей.

! Машину була спроектовано і вироблено у відповідності з міжнародними нормами безпеки. Це попередження надаються задля вашої безпеки, і тому їх треба уважно прочитати.

Загальна безпека

- Даний прилад спроектований виключно для побутового використання.
- Цей апарат не має використовуватися дітьми або особами з обмеженими фізичними, сенсорними чи розумовими можливостями, або якщо їм бракує досвіду та необхідних знань. Винятки складають ситуації, коли користування відбувається під наглядом або за вказівками осіб, відповідальних за їхню безпеку. Дорослі мають стежити, щоб діти не гралися з апаратом.
- Машина має використовуватися тільки дорослими особами і згідно з інструкціями, наведеними у даній брошурі.
- Не торкайтеся до машини голими ногами або мокрими чи вологими руками й ногами.
- Не виймайте штепсель з електричної розетки, витягуючи його за шнур, тримайтеся тільки за самий штепсель.
- Не відкривайте касету з пральними засобами під час роботи машини.
- Не торкайтеся води, що зливається, вона може мати підвищену температуру.
- У жодному випадку не докладайте надмірних зусиль до люку: це може ушкодити запобіжний механізм проти випадкових відкривань.
- Якщо машина не працює у разі поломки, у жодному випадку не робіть спроб самостійно виконати ремонт внутрішніх механізмів.
- Завжди слідкуйте, щоб діти не наближалися до працюючої машини.
- Під час прання люк нагріватиметься.
- Пересування машини має здійснюватися двома або трьома особами за умови надзвичайної обережності. Ніколи не переміщуйте машину самотужки, тому що вона дуже важка.
- Перш ніж завантажити білизну, перевірте, щоб барабан був порожній.

Утилізація

- Утилізація пакувального матеріалу: додержуйте місцевих норм, так як пакування може бути використане повторно.
- Європейська директива 2002/96/CE з відходів електричної й електронної апаратури передбачає, що побутові електроприлади не можуть перероблятися у звичайному порядку для твердих міських відходів. Відпрацьовані побутові прилади мають збиратися окремо для

оптимізації відновлення та рециклу матеріалів, що входять до їхнього складу, та з метою усунення потенційної шкоди для здоров'я та довкілля.

Символ перекресленого кошика, зображений на всіх виробках, нагадує про необхідність окремої утилізації.

Для подальшої інформації щодо правильної утилізації побутової техніки, їхні власники можуть звернутися до відповідних міських служб або до постачальника.

Догляд та очищення

UK

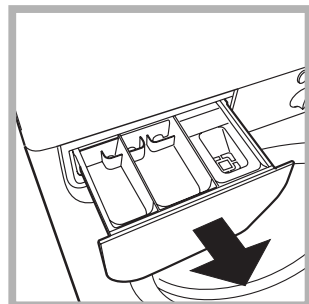
Відключення води й електричного живлення

- Закривайте водопровідний кран після кожного прання. У такий спосіб зменшується знос гідравлічної частини машини й усувається небезпека протікання.
- Виймайте штепсель з розетки під час миття машини та під час робіт з технічного обслуговування.

Очищення пральної машини

Зовнішня частина і гумові деталі можуть митися тканиною, змоченою у теплій воді й милі. Не використовуйте розчинники або абразивні засоби.

Чищення касети для пральних засобів



Вийміть касету, піднявши її та витягнувши назовні (див. малюнок). Промийте її під проточною водою; ця процедура має проводитися регулярно.

Догляд за люком та барабаном

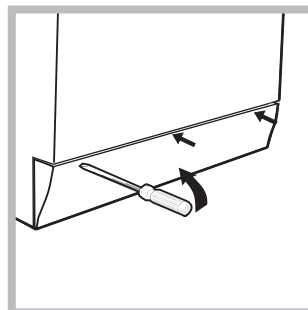
- Завжди залишайте люк напіввідкритим для запобігання утворенню неприємних запахів.

Чищення насоса

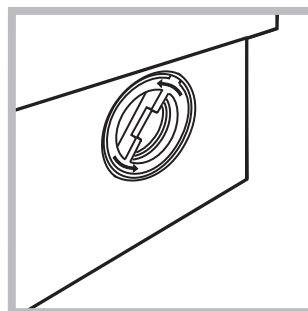
Пральну машину обладнано насосом, який здатний сам очищатися та не вимагає технічного обслуговування. Може трапитися так, що дрібні речі (монети, ґудзики) потраплять до попередньої камери, яка захищає насос та розташована в його нижній частині.

! Переконайтеся у тому, що цикл прання закінчено, і витягніть штепсель з розетки.

Як дістатися до попередньої камери:



1. зніміть зовнішню панель на передньому боці пральної машини за допомогою викрутки (див. малюнок);



2. розгвинтіть кришку, обертаючи її проти годинникової стрілки (див. малюнок): витікання незначної кількості води є нормальним;

3. акуратно очистіть всередині;
4. знову накрутіть кришку;
5. встановіть панель на місце, пересвідчіться у тому, що гачки були вставлені у відповідні петлі, після чого притисніть її до машини.

Контроль труби подачі води

Перевіряйте трубу подачі води не менше одного разу на рік. Якщо на ній є тріщини та щілини, вона підлягає заміні: під час прання сильний тиск може викликати непередбачені розриви.

! Ніколи не використовуйте уживані труби.

Несправності та засоби їх усунення

Може так статися, що пральна машина не працюватиме. Перш ніж зателефонувати до служби Допомоги (див. “Допомога”), перевірте можливість легкого усунення проблеми за допомогою наступного списку.

Несправності:

Пральна машина не вмикається.

Можливі причини/Рішення:

- Штепсель не вставлений в електричну розетку або вставлений не до кінця.
- У будинку немає електроенергії.

Цикл прання не розпочинається.

- Люк погано закрито.
- Кнопку УВІМКНЕННЯ/ВИМКНЕННЯ не було натиснуто.
- Кнопку ПУСК/ПАУЗА не було натиснуто.
- Водопровідний кран закритий.
- Якщо відстрочення задане на час запуску (ВІДСТРОЧЕНИЙ ПУСК див. “Налаштування під власні потреби”).

В пральну машину не потрапляє вода (на дисплеї з’являється позначка “H2O”, що блимає).

- Трубу подачі води не під’єднано до водопровідного крану.
- Перегин у трубі.
- Водопровідний кран закритий.
- У водопроводі немає води.
- Недостатній тиск.
- Кнопку ПУСК/ПАУЗА не було натиснуто.

Пральна машина безперервно завантажує та зливає воду.

- Зливний шланг не знаходиться на відстані від 65 до 100 см від підлоги (див. “Встановлення”).
- Кінець зливного шланга занурений у воду (див. “Встановлення”).
- Стінний каналізаційний злив не має віддушини для виходу повітря (вантуза). Якщо після таких перевірок проблема залишається, закрийте водопровідний кран, вимкніть машину і зателефонуйте до служби Допомоги. Якщо квартира знаходиться на верхніх поверхах будинку, можливо, відбувається сифонний ефект, при якому машина безперервно завантажує й зливає воду. Щоб його ліквідувати, існують спеціальні антисифонні клапани, які можна придбати у торговельній мережі.

Пральна машина не зливає воду або не вмикає центрифугу.

- Програма не передбачає зливання води: у деяких програмах це потрібно зробити вручну.
- Перегин зливного шланга (див. “Встановлення”).
- Засмітився зливний шланг.

Пральна машина дуже вібрує під час роботи центрифуги.

- Барабан, у момент встановлення, не був правильно розблокований (див. “Встановлення”).
- Машина стоїть не на рівній поверхні (див. “Встановлення”).
- Машину затиснуто між меблями і стіною (див. “Встановлення”).

З пральної машини витікає вода.

- Погано пригвинчено трубу подачі води (див. “Встановлення”).
- Забруднена касета для пральних засобів (як вимити див. “Догляд та очищення”).
- Погано закріплений зливний шланг (див. “Встановлення”).

Світлодіоди “опцій” та “ПУСК/ПАУЗА” блимають, один зі світлодіодів “поточної фази” та “ЛЮК ЗАБЛОКОВАНО” світлитиметься постійно.

- Вимкніть машину й витягніть штепсель з розетки, зачекайте близько 1 хвилини й увімкніть її повторно. Якщо несправність не усунена, зателефонуйте до служби Допомоги.

Утворюється занадто багато піни.

- Пральний засіб не підходить до пральної машини (повинен мати напис “для машинного прання”, “для ручного та машинного прання” або подібні).
- Перевищена доза прального засобу.

Допомога

UK

Перш ніж звернутися по Допомогу:

- Перевірте, чи можна самостійно вирішити проблему (див. "Несправності і засоби їх усунення").
- Перезапустіть програму, щоб перевірити, чи усунено несправність;
- У протилежному випадку, зверніться до авторизованої служби технічної Допомоги за телефонним номером, вказаним на гарантійному сертифікаті.

! Звертайтеся виключно до уповноважених фахівців.

Треба повідомити:

- тип несправності;
- модель машини (Мод.);
- серійний номер (S/N).

Цю інформацію ви знайдете на шильдику на задній стороні пральної машини та на передній стороні, якщо відкрити люк.

HU

Magyar

IWUD 4105

Összefoglalás

Üzembe helyezés, 38–39

Kicsomagolás és vízszintbe állítás
Víz- és elektromos csatlakozás
Első mosási ciklus
Műszaki adatok

A mosógép leírása és program elindítása, 40–41

Kezelőpanel
Jelzőlámpák
Program elindítása

Programok, 42

Programtáblázat

Egyéni beállítások, 43

A hőmérséklet beállítása
A centrifugálás beállítása
Funkciók

Mosószeres és mosandók, 44

Mosószer-adagoló fiók
Fehérítő ciklus
A mosandó ruhák előkészítése
Különleges bánásmódot igénylő ruhadarabok
A bepakolt ruhák kiegyensúlyozására szolgáló rendszer

Óvintézkedések és tanácsok, 45

Általános biztonság
Hulladékelhelyezés

Karbantartás és ápolás, 46

A víz elzárása és az elektromos áram kikapcsolása
A mosógép tisztítása
A mosószer-adagoló fiók tisztítása
Az ajtó és a forgódob ápolása
A szivattyú tisztítása
A vízbevezető cső ellenőrzése

Rendellenességek és elhárításuk, 47

Szerviz, 48

Üzembe helyezés

HU

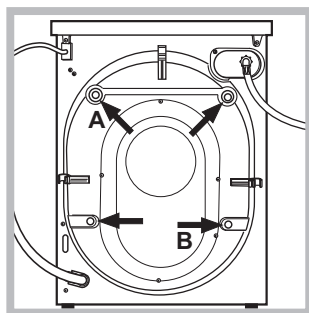
! Fontos, hogy megőrizze ezt a kézikönyvet, hogy mindig kéznél legyen. Ha a mosógépet eladná, átadná vagy másnál helyezné el, gondoskodjon arról, hogy e kézikönyv a mosógéppel együtt maradjon, hogy az új tulajdonos is megismerhesse a készülék funkcióit és az ezekre vonatkozó figyelmeztetéseket.

! Figyelmesen olvassa el az utasításokat: fontos információkat tartalmaznak az üzembe helyezésről, a használatról és a biztonságról.

Kicsomagolás és vízszintbe állítás

Kicsomagolás

1. Csomagolja ki a mosógépet.
2. Ellenőrizze, hogy a mosógép nem sérült-e meg a szállítás során. Ha a gépen sérülést talál, ne csatlakoztassa, és forduljon a viszonteladóhoz.



3. Csavarozza ki a gép hátsó részén található, a szállításhoz szükséges 4 védőcsavart, és távolítsa el a gumibakot (lásd ábra).

4. Zárja le a furatokat a mellékelt műanyag dugókkal.
5. Minden darabot őrizzen meg: ha a mosógépet szállítani kell, előtte ezeket vissza kell szerelni.

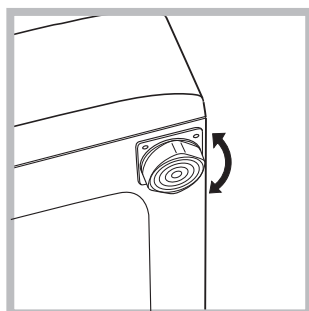
! A csomagolóanyag nem gyermekjáték!

! Amennyiben a készüléket meg kívánja dönteni vagy át kívánja helyezni, a belső alkatrészek épsége érdekében előtte mindig szerelje vissza a csavarokat, a gumibakot és a távtartót az A és B pontban.

A műveletet követően ne felejtse el leszerelni őket.

Vízszintbe állítás

1. A mosógépet sík és kemény padlóra állítsa, úgy, hogy ne érjen falhoz, bútorhoz vagy másához.

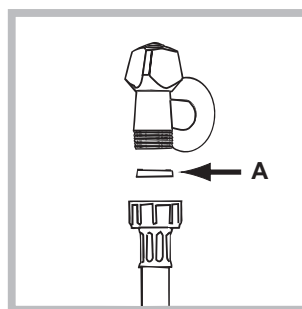


2. Ha a padló nem tökéletesen vízszintes, azt az első lábak be-, illetve kicsavarásával kompenzálhatja (lásd ábra). A gép felső burkolatán mért dőlés nem haladhatja meg a 2°-ot.

A pontos vízszintezés biztosítja a gép stabilitását, így az a működés során nem fog rezegni, zajt okozni, illetve elmozdulni. Szőnyegpadló vagy szőnyeg esetén a lábakat úgy állítsa be, hogy a mosógép alatt elegendő hely maradjon a szellőzésre.

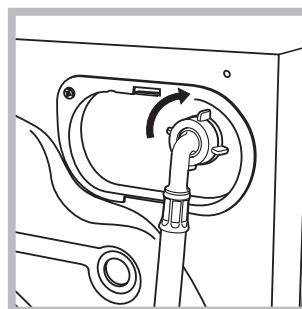
Víz- és elektromos csatlakozás

Vízbevezető cső csatlakoztatása



1. A vízbevezető cső csatlakoztatásához csavarozza fel a csövet egy 3/4"-os külső menettel rendelkező hidegvíz csapra (lásd ábra).

A csatlakoztatás előtt eresse meg a csapot addig, amíg a víz teljesen átlátszóvá nem válik.



2. A vízbevezető cső csatlakoztatásához csavarozza a csövet a mosógép hátoldalán jobbra fent található vízbemeneti csonkra (lásd ábra)!

3. Ügyeljen arra, hogy a csövön ne legyen törés vagy szűkület!

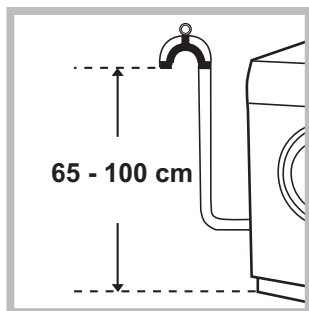
! A csap víznyomásának a műszaki adatok táblázatában szereplő határértékek között kell lennie (lásd a szemben lévő oldalt).

! Amennyiben a vízbevezető cső nem elég hosszú, forduljon szaküzlethez vagy engedéllyel rendelkező szakemberhez.

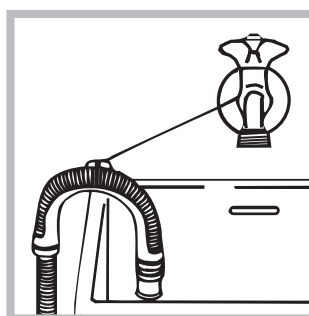
! Soha ne használjon korábban már használt csöveket.

! Használja a készülékhez mellékelteket.

A leeresztőcső csatlakoztatása



Csatlakoztassa a leeresztőcsövet a lefolyóhoz vagy a padlótól 65 és 100 cm közötti magasságban lévő fali szifonhoz anélkül, hogy megtörné;



illetve akassza a mosdó vagy a kád szélére úgy, hogy a mellékelt csővezető ívet a csaphoz erősíti (lásd ábra). A leeresztőcső szabad végének nem szabad vízbe merülnie.

! Toldások használata nem javasolt. Amennyiben feltétlenül szükséges, a toldás átmérője egyezzen meg az eredeti csőével és semmiképpen se legyen 150 cm-nél hosszabb.

Elektromos csatlakoztatás

Mielőtt a csatlakozódugót az aljzatba dugná, bizonyosodjon meg arról, hogy:

- az aljzat földelése megfelel a törvény által előírtak;
- az aljzat képes elviselni a készülék műszaki adatait tartalmazó táblázatban megadott maximális teljesítményfelvételt (lásd szemben);
- a hálózat feszült műszaki adatokat tartalmazó táblázatban szereplő értékek közé esik (lásd szemben);
- az aljzat kompatibilis a mosógép csatlakozódugójával. Ellenkező esetben cserélje ki az aljzatot vagy a csatlakozódugót!

! A mosógép nem állítható fel nyílt téren, még akkor sem, ha tető van fölötte, mivel nagyon veszélyes, ha a gép esőnek vagy zivataroknak van kitéve.

! A csatlakozódugónak a mosógép üzembe helyezett állapotában is könnyen elérhető helyen kell lennie.

! Ne használjon hosszabbítót vagy elosztót.

! A kábel ne legyen se megtörve, se összenyomva.

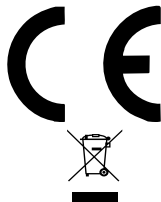
! A tápkábelt csak engedéllyel rendelkező szakember cserélheti.

Figyelem! A fenti előírások figyelmen kívül hagyása esetén a gyártó elhárít minden felelősséget.

Első mosási ciklus

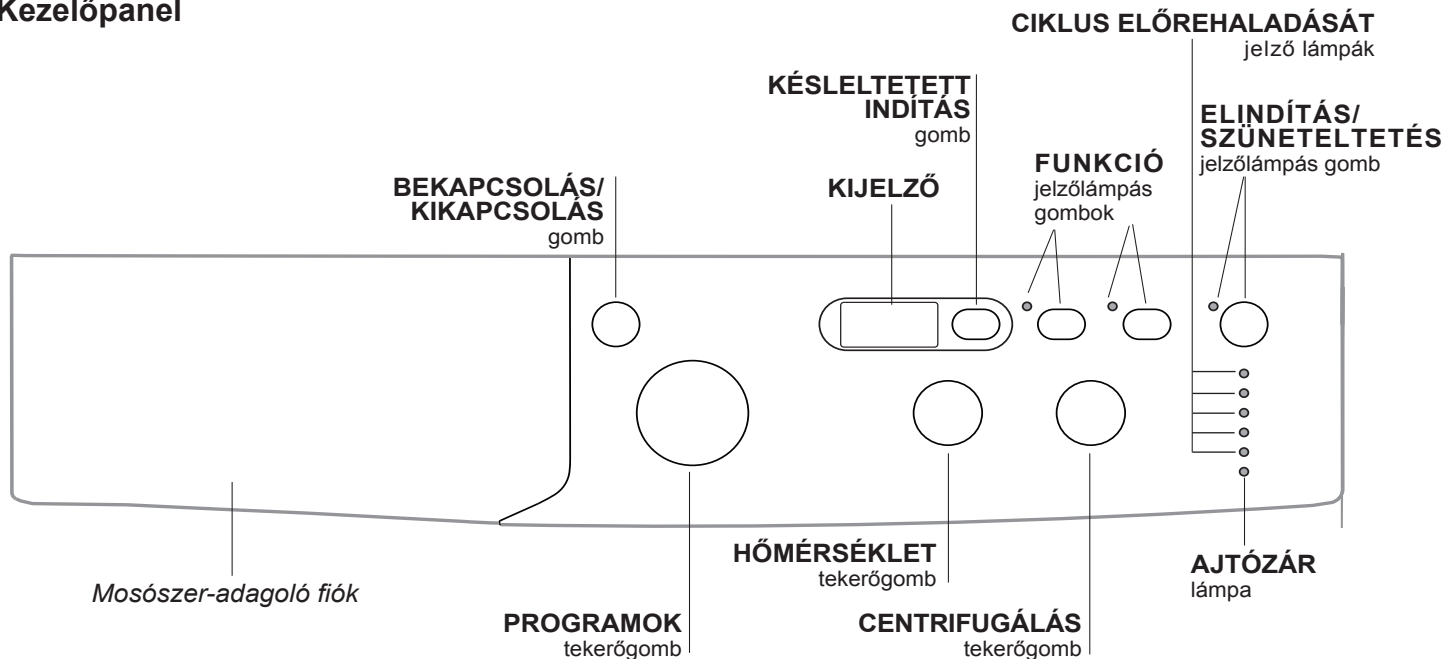
Üzembe helyezés után – mielőtt a mosógépet használni kezdené – mosószerrel, mosandó ruha nélkül futtassa le az 2-es mosási programot.

Műszaki adatok

Modell	IWUD 4105
Méret	szélesség 59,5 cm magasság 85 cm mélység 33 cm
Ruhatöltet:	1-től 4 kg-ig
Elektromos csatlakozás	lásd a készüléken található, műszaki jellemzőket tartalmazó adattáblát!
Vízcsatlakozások	maximális nyomás 1 MPa (10 bar) minimális nyomás 0,05 MPa (0,5 bar) dob úrtartalma 27 liter
Centrifuga fordulatszám	1000 fordulat/perc-ig
EN 60456 szabvány Szerinti vezérlőprogramok	2-as program; hőmérséklet 60°C; 4 kg ruhatöltettel végezve
	Ez a berendezés megfelel a következő Uniói Előírásoknak: - 2004/108/CE (Elektromágneses összeférhetőség) - 2002/96/CE - 2006/95/CE (Alacsony feszültség)

A mosógép leírása és program elindítása

Kezelőpanel



Mosószer-adagoló fiók: a mosószerek és adalékok betöltésére szolgál (lásd „Mosószerek és mosadók”).

BEKAPCSOLÁS/KIKAPCSOLÁS gomb: a mosógép be-, illetve kikapcsolására szolgál.


PROGRAMOK tekerőgomb: a programok beállítására szolgál. A program lefutása alatt a tárcsa nem mozdul.

FUNKCIÓ jelzőlámpás gombok: a lehetséges funkciók kiválasztására szolgál. A kiválasztott funkció jelzőlámpája égve marad.

CENTRIFUGÁLÁS tekerőgomb: a centrifugálás bekapcsolására, illetve kikapcsolására szolgál (lásd „Egyéni beállítások”).

HŐMÉRSÉKLET tekerőgomb: a hőmérséklet, illetve a hideg vizes mosás beállítására szolgál (lásd „Egyéni beállítások”).


KIJELZŐ: a rendelkezésre álló programok hosszának, illetve elindított ciklus esetén a program végéig hátralévő maradékidőnek a megjelenítésére szolgál. **KÉSLELTETETT INDÍTÁS** beállítása esetén a kiválasztott program elindulásáig hátralévő időt jeleníti meg.

KÉSLELTETETT INDÍTÁS  gomb: a kiválasztott program késleltetett elindításához nyomja meg ezt a gombot. A késleltetés értéke megjelenik a kijelzőn.

CIKLUS ELŐREHALADÁSÁT jelző lámpák: a mosási program előrehaladásának követésére szolgál. Az égő lámpa az éppen folyamatban lévő fázist jelzi.

AJTÓZÁR lámpa: az ajtó kinyithatóságának jelzésére szolgál (lásd a szemben lévő oldalt).

ELINDÍTÁS/SZÜNETELTETÉS jelzőlámpás gomb: a programok elindítására, illetve pillanatnyi megszakítására szolgál.

Megjegyzés: A folyamatban lévő mosás szüneteltetéséhez nyomja meg ezt a gombot – a vonatkozó jelzőlámpa narancssárga fénnel fog villogni, míg a folyamatban lévő fázist jelző lámpa folyamatos fénnel világítani fog. Ha az **AJTÓZÁR lámpa**  nem világít, kinyithatja az ajtót.

A mosásnak a megszakítás időpontjától való folytatásához nyomja meg ismét ezt a gombot.

Készenléti üzemmód






Ez a mosógép - az energiatakarékosságra vonatkozó legújabb előírásoknak megfelelően - automatikus kikapcsolási (készenléti) rendszerrel van ellátva, mely a használat megadott 30 percnyi szüneteltetése esetén bekapcsol. Nyomja meg röviden a **BEKAPCSOLÁS/KIKAPCSOLÁS gombot**, és várjon, amíg a készülék újrabekapcsol.

Jelzőlámpák

A jelzőlámpák fontos információkat közvetítenek. Ezek a következők:

Folyamatban lévő fázis jelzőlámpái

A kívánt mosási ciklus kiválasztása és elindítása után a jelzőlámpák a program előrehaladásának megfelelően, egymás után kigyulladnak.

Mosás	
Öblítés	
Centrifugálás	
Ürítés	
Mosás vége	 END

Funkciógombok és az azokhoz tartozó lámpák

A Kívánt funkció kiválasztásakor a megfelelő jelzőlámpa kigyullad.


Ha a kiválasztott funkció a beállított programmal nem fér össze, a megfelelő jelzőlámpa villogni kezd, és a funkció nem lesz bekapcsolva.

Ha a kiválasztott funkció egy korábban beállított programmal nem kompatibilis, az elsőként kiválasztott funkció lámpája villogni kezd, és csak a második funkció lesz bekapcsolva, a bekapcsolt funkció lámpája folyamatosan világít.

Ajtózár lámpa

A világító jelzőlámpa azt jelzi, hogy a véletlen nyitás megakadályozása érdekében az ajtó be van zárva. Az ajtó kinyitásához meg kell várni, hogy a jelzőlámpa kialudjon (várjon kb. 3 percet). Az ajtó menet közbeni kinyitásához nyomja meg az ELINDÍTÁS/SZÜNETELTETÉS gombot; ha az AJTÓZÁR lámpa kialudt, kinyithatja az ajtót.

Program elindítása

1. A BEKAPCSOLÁS/KIKAPCSOLÁS gomb megnyomásával kapcsolja be a mosógépet. Néhány másodpercre az összes jelzőlámpa bekapcsol, majd kialszik, és az ELINDÍTÁS/SZÜNETELTETÉS lámpa villogni kezd.
2. Helyezze be a mosandó ruhákat, és csukja be az ajtót.
3. A PROGRAMOK tekerőgombbal állítsa be a kívánt programot.
4. Állítsa be a mosási hőmérsékletet (lásd „Egyéni beállítások”).
5. Állítsa be a centrifugálás sebességét (lásd „Egyéni beállítások”).
6. Töltsé be a mosószert és adalékanyagokat (lásd „Mosószerek és mosandók”).
7. Válassza ki a kívánt funkciókat.
8. Az ELINDÍTÁS/SZÜNETELTETÉS gomb megnyomásával indítsa el a programot, mire a megfelelő jelzőlámpa zöld fényel világítani kezd. A beállított mosási ciklus törléséhez az ELINDÍTÁS/SZÜNETELTETÉS gomb megnyomásával szüneteltesse le a készüléket, és válasszon egy úgy mosási ciklust.
9. A program végeztével kigyullad a END jelzőlámpa. Amikor az AJTÓZÁR  lámpa kialszik, az ajtót ki lehet nyitni. Vegye ki a mosandó ruhákat, és hagyja az ajtót félig nyitva, hogy a forgódob kiszáradjon. A BEKAPCSOLÁS/KIKAPCSOLÁS gomb megnyomásával kapcsolja ki a mosógépet.

Programok

Programtáblázat

Programok	Programleírás	Max. hom. (°C)	Max. sebesség (ford./perc)	Mosószerek				Max. ruhamennyiség (kg)		Programido	
				Elo-mo-sás	Mo-sás	Fe-hé-ri-tos-zer	Öblítő	Normál	Eco Time		
Hétköznapi programok											
1	PAMUT ELOMOSÁS: Erosen szennyezett fehér ruhák.	90°	1000	●	●	-	●	4	-	A mosási programok mosási ideje leolvasható a kijelzőről.	
2	PAMUT: Erosen szennyezett fehér ruhák.	90°	1000	-	●	●	●	4	-		
2	PAMUT (1): Erosen szennyezett fehér és magasabb hőmérsékleten mosható színes ruhák.	60°	1000	-	●	●	●	4	-		
2	PAMUT (2): Erosen szennyezett kényes fehér és színes ruhák.	40°	1000	-	●	●	●	4	-		
3	PAMUT: Erosen szennyezett fehér és magasabb hőmérsékleten mosható színes ruhák.	60°	1000	-	●	●	●	4	2,5		
4	SZÍNES PAMUT (3): Enyhén szennyezett fehér és kényes színes ruhák.	40°	1000	-	●	●	●	4	2,5		
5	SZINTETIKUS: Erosen szennyezett, magasabb hőmérsékleten mosható színes ruhák.	60°	800	-	●	●	●	1,8	1,5		
6	SZINTETIKUS: Enyhén szennyezett, magasabb hőmérsékleten mosható színes ruhák.	40°	800	-	●	●	●	1,8	1,5		
Speciális programok											
7	GYAPJÚ: Gyapjú, kasmír stb. ruhaneműk mosásához.	40°	600	-	●	-	●	1	-		
8	SELYEM/FÜGGÖNY: Selyem ruhaneműkhöz, viszkózus anyagokhoz, fehérneműkhöz.	30°	0	-	●	-	●	1	-		
9	JEANS	40°	800	-	●	-	●	1,5	-		
10	EXPRESS: Az enyhén szennyezett ruhadarabok gyors átöblítésére (nem javasolt gyapjú, selyem és kézzel mosandó ruhaneműkhöz).	30°	800	-	●	-	●	1,5	-		
Sport											
11	Sport Intensive	30°	600	-	●	-	●	1,5	-		
12	Sport Light	30°	600	-	●	-	●	1,5	-		
13	Sport Shoes	30°	600	-	●	-	●	Max. 2 pár	-		
Részleges programok											
🌀	ÖBLÍTÉS	-	1000	-	-	●	●	4	-		
🌀	CENTRIFUGÁLÁS	-	1000	-	-	-	-	4	-		
🌀	SZIVATTYÚZÁS	-	0	-	-	-	-	4	-		

A táblázatban szereplő értékek tájékoztató jellegűek.

A vizsgálószervek számára:

- 1) EN 60456 szabvány szerinti vezérlőprogramok: állítsa be a 2-os programot 60 °C-ra.
- 2) Hosszú pamut program: állítsa be a 2-es programot 40 °C-ra.
- 3) Rövid pamut program: állítsa be a 4-es programot 40 °C-ra.

Különleges programok

Express: ez a program enyhén koszos ruhadarabok rövid idő alatt történő kimosására lett kifejlesztve – mindössze 15 percre tart, így energiát és időt takarít meg. Az 10-es programot 30 °C-ra beállítva különböző jellegű anyagokat együttesen is lehet mosni (kivéve gyapjút és selymet) maximum 1,5 kg ruhatöltet-mennyiségig.

A **Sport Intensive** programot (11-es program) az nagyon koszos sportruházatok (melegítők, rövid nadrágok stb.) mosására tervezték. A legjobb eredmény érdekében javasoljuk, hogy ne lépje túl a „programtáblázat”-ban feltüntetett maximális töltetet.

A **Sport Light** programot (12-es program) az enyhén koszos sportruházatok (melegítők, rövid nadrágok stb.) mosására tervezték. A legjobb eredmény érdekében javasoljuk, hogy ne lépje túl a „programtáblázat”-ban feltüntetett maximális töltetet. Javasoljuk, hogy használjon folyékony mosószert féladagnak megfelelő adagban.

A **Sport Shoes** programot (13-as program) a sportcipők mosására tervezték. A legjobb eredmény érdekében ne mosson egyszerre 2 párnál többet.

A hőmérséklet beállítása

A mosási hőmérséklet beállításához forgassa el a HŐMÉRSÉKLET tekerőgombot (lásd *Programtáblázat*).

A hőmérsékletet a hideg vízzel történő mosás hőmérséklet-értékéig lehet csökkenteni (☼).

A készülék automatikusan megakadályozza, hogy az egyes programokhoz maximálisan beállíthatónál magasabb fordulatszámra centrifugáljon.

A centrifugálás beállítása

A kiválasztott programhoz tartozó centrifugálás fordulatszámának beállításához forgassa el a CENTRIFUGÁLÁS tekerőgombot.

A különféle programokhoz beállítható maximális fordulatszámok a következők:

Programok	Maximális fordulatszám
Pamut	1000 fordulat/perc
Műszál	800 fordulat/perc
Gyapjú	600 fordulat/perc
Selyem	Csak ürités

A centrifugálás fordulatszáma csökkenthető, vagy a ☼ jelre állítással teljesen kikapcsolható.

A készülék automatikusan megakadályozza, hogy az egyes programokhoz maximálisan megengedett fordulatszámánál magasabban centrifugáljon.

Funkciók


A mosógép különféle mosási funkciói lehetővé teszik a kívánt tisztítás és fehérség elérését.

A funkciók bekapcsolásához tegye a következőket:

1. Nyomja meg a kívánt funkció gombját.
2. A megfelelő jelzőlámpa világítása azt jelzi, hogy a hozzá tartozó funkció be van kapcsolva.

Megjegyzés: A jelzőlámpa gyors villogása azt jelenti, hogy a beállított programhoz a jelzőlámpához tartozó funkció nem választható.




Késleltetett indítás

A kiválasztott program késleltetett indításához nyomogassa a megfelelő gombot addig, míg a késleltetés kívánt értékét el nem éri. Ha a funkció be van kapcsolva, a kijelzőn világít a  szimbólum. A késleltetett indítás törléséhez nyomogassa a gombot mindaddig, míg a kijelzőn meg nem jelenik az "OFF" felirat.

! Ez valamennyi program esetén bekapcsolható.



EcoTime

Ennek az opciónak a kiválasztásakor a mechanikus mozgás, a hőmérséklet és a vízhasználat kis, pamut és muszálas holmikat tartalmazó töltetre van optimalizálva (lásd *"programtáblázat"*). Az "EcoTime" opció használatával rövidebb idő alatt, víz- és energiatakarékosan moshat. Javasoljuk, hogy használjon folyékony mosószert a töltet mennyiségéhez illo adagban.

! Ez a funkció nem használható a 1, 2, 7, 8, 9, 10, 11, 12, 13, , ,  programok.

Folteltávolítás

A fehérités ciklus a legmakacsabb foltok eltávolítására alkalmas. Ne felejtse el a fehéritőszert a 4-es berakható tartályba tölteni (lásd *"Fehéritő ciklus"*).

! Ez a funkció nem használható a 1, 7, 8, 9, 10, 11, 12, 13, ,  programoknál.

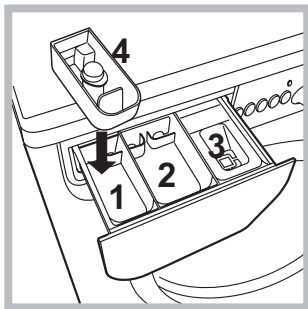
Mosószerek és mosandók

HU

Mosószer-adagoló fiók

A mosás eredményessége függ a mosószer helyes adagolásától is: ha túl sokat adagol belőle, a mosás nem lesz hatékonyabb, de hozzájárul ahhoz, hogy lerakódás képződjön a mosógépben, valamint a környezetet is jobban szennyezi.

! Ne használjon kézi mosószert, mert túlzottan sok hab képződik.



Húzza ki a mosószer-adagoló fiókot, és a következők szerint tegye bele a mosószert, illetve az adalékot.

1-es rekesz: Mosószer előmosáshoz (por)

A mosószer betöltése előtt győződjön meg arról, hogy a 4-es berakható rekesz nincs ebben a rekeszben.

2-es rekesz: Mosószer mosáshoz (por vagy folyadék)

A folyékony mosószert csak az indítás előtt lehet betölteni.

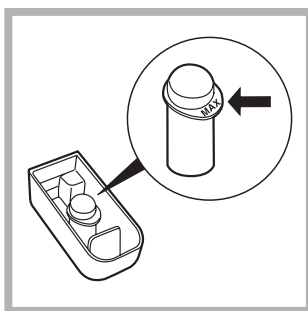
3-as rekesz: Adalékok (öblítők stb.)

Az öblítő ne érjen a rács fölé.

4-es berakható rekesz: Fehérítőszer

Fehérítő ciklus

! A hagyományos fehérítést tartós fehér ruhákhoz, a kíméletest pedig színes, szintetikus vagy gyapjú anyagokhoz használjuk.



Tegye be a 4-es berakható tartályt az 1-es rekeszbe. A fehérítőszer betöltése közben vigyázzon arra, hogy az a központi csapon jelzett "max" szintet ne haladja meg (lásd ábra).

Ha csak fehérítést akar végezni, öntse a fehérítőszert a 4-es berakható tartályba, és állítsa be az "Öblítés" programot és kapcsolja be a "Folteltávolítás" funkciót. Ha a mosás során akar fehéríteni, töltsen be a mosószert és az adalékokat, állítsa be a kívánt programot, és kapcsolja be a "Folteltávolítás" funkciót.

A 4-es berakható tartály használata kizárja az előmosást.

A mosandó ruhák előkészítése

- Osztályozza a mosandókat a következők szerint:
 - Szövet típusa / címkén lévő szimbólum.
 - Színek Válogassa külön a színes és fehér ruhákat.
- Ürítse ki a zsebeket, és vizsgálja meg a gombokat.
- Ne lépje túl a mosandók száraz súlyára vonatkozóan megadott értékeket:

Magasabb hőmérsékleten mosható anyagok: max. 4 kg

Műszálas anyagok: max. 1,8 kg

Kényes anyagok: max. 1,5 kg

Gyapjú: max. 1 kg

Selyem: max. 1 kg

Milyen nehezek a mosandó ruhák?

1 lepedő: 400–500 g

1 párnahuzat: 150–200 g

1 asztalterítő: 400–500 g

1 fürdőköpeny: 900–1200 g

1 törölköző: 150–250 g

Különleges bánásmódot igénylő ruhadarabok

Gyapjú: A 7-os programmal gyapjúholmikat lehet mosni, azokat is, melyek címkéjén a „csak kézzel mosható” utasítás szerepel. A legjobb eredmény elérése érdekében használjon speciális mosószert, és ne lépje túl az 1 kg ruhatöltetet.

Selyem: az összes selyem ruhadarab mosásához használja az ehhez való, 8-es programot! A kényesebb ruhaneműkhöz tanácsos speciálisan rájuk kifejlesztett mosószert használni.

Függönyök: hajtogatva tegye párnahuzatba (vászonzsákba) vagy hálós zacskóba. Használja a 8-es programot.

Jeans: A mosás előtt fordítsa ki a ruhadarabokat, és használjon folyékony mosószert. Használja a 9-as programot.

A bepakolt ruhák kiegyensúlyozására szolgáló rendszer

A túlzott zajhatás megelőzésére, valamint a mosandók egyenletes eloszlása érdekében a forgódob a centrifugafázis előtt a mosási centrifugasebességnél kicsit nagyobb sebességre kapcsol. Amennyiben a töltet kiegyensúlyozására irányuló próbálkozások nem vezetnek eredményre, a készülék az elméleti centrifugasebességnél lassabb centrifugálásra kapcsol. Jelentős kiegyensúlyozatlanság esetén a mosógép, centrifugálás előtt megpróbálja a töltetet megfelelően elosztatni. A töltet megfelelő eloszlásának biztosítása érdekében ajánlatos a nagy ruhaneműket a kicsikkel összekeverni.

! A mosógép a nemzetközi biztonsági szabványoknak megfelelően lett tervezve és gyártva. Ezeket a figyelmeztetéseket biztonsági okokból írjuk le, kérjük, olvassa el őket figyelmesen!

A fogyasztóknak a helyi hatóságot vagy kereskedőt kell felkeresniük a régi háztartási gépek helyes elhelyezését illetően.

HU

Általános biztonság

- Ez a készüléket háztartási használatra lett tervezve.
- A készüléket működtetésre alkalmatlan személyek (a gyerekeket is beleértve) nem használhatják, kivéve, amennyiben ezeket a személyeket egy, a biztonságu-kért felelős személy felügyeli, illetve a készülék használatát nekik elmagyarázza. Ne hagyja a gyerekeket felügyelet nélkül, és győződjön meg arról, hogy nem játszanak a készülékkel.
- A mosógépet csak felnőtt használhatja, és csak az e használati utasításban megadott utasítások szerint.
- Ne érjen a géphez mezítláb, illetve vizes vagy nedves kézzel vagy lábbal!
- A csatlakozódugót az aljzatból ne a kábelnél, hanem a csatlakozónál fogva húzza ki!
- Működés közben ne nyissa ki a mosószer-adagoló fiókot.
- Ne nyúljon a leeresztett vízbe, mert forró lehet!
- Semmiképpen ne feszegesse az ajtót: megsérülhet a véletlen nyitást megakadályozó biztonsági retesz.
- Hiba esetén semmiképpen se nyúljon a gép belső részeihez, és ne próbálja megjavítani!
- Mindig ügyeljen arra, hogy gyermekek ne mehessenek a működő gép közelébe.
- A mosás során az ajtó meleg lehet.
- Amennyiben a gépet át kell helyezni, az áthelyezést két vagy három személy végezze, maximális odafigyeléssel. Soha ne próbálja egyedül elmozdítani, mert a készülék nagyon nehéz.
- A mosandó berakása előtt ellenőrizze, hogy a forgódob üres-e.

Hulladékelhelyezés

- A csomagolóanyag megsemmisítése: tartsa be a helyi előírásokat, így a csomagolás újrahasznosítható.
- Az elektromos készülékek megsemmisítéséről szóló európai direktíva 2002/96/EC előírja, hogy a régi háztartási gépeket nem szabad a normál nem szelektív hulladékgyűjtési folyamat során összegyűjteni. A régi gépeket szelektíven kell összegyűjteni, hogy optimalizálni lehessen a bennük lévő anyagok újrahasznosítását és csökkenteni lehessen az emberi egészségre és környezetre gyakorolt hatásukat. Az áthúzott "szemeteskuka" jele emlékezteti Önt arra, hogy kötelessége ezeket a termékeket szelektíven összegyűjteni.

Karbantartás és ápolás

HU

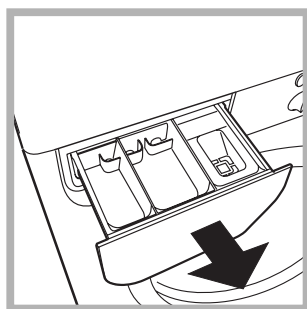
A víz elzárása és az elektromos áram ki- kapcsolása

- Minden mosás után zárja el a vízcsapot. Így kíméli a mosógép vízrendszerét és megszünteti a vízszivárgás kockázatát.
- A mosógép tisztításakor, illetve karbantatásakor húzza ki a hálózati csatlakozódugót az aljzatból.

A mosógép tisztítása

A külső részeket és a gumirészeket langyos, szappanos vizes ronggyal tisztíthatja. Ne használjon oldószert vagy súrolószert!

A mosószer-adagoló fiók tisztítása



A fiók felemelésével és kifelé húzásával vegye ki a fiókot (lásd ábra). Folyó víz alatt mossa ki! Ezt a tisztítást gyakran el kell végezni.

Az ajtó és a forgódob ápolása

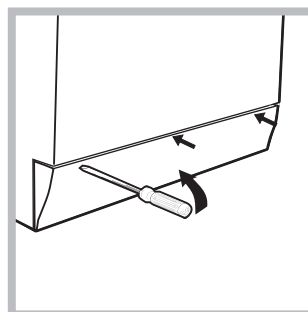
- Az ajtót hagyja mindig részre nyitva, nehogy rossz szagok keletkezzenek.

A szivattyú tisztítása

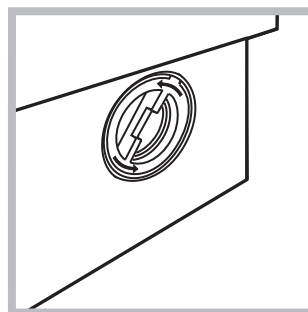
A mosógép öntisztító szivattyúval van felszerelve, melynek nincs szüksége tisztítási és karbantartási műveletekre. Előfordulhat azonban, hogy apró tárgyak (aprópénz, gomb) esnek a szivattyú alsó részén található szivattyúvédő előkamrába.

! Győződjön meg róla, hogy a mosóprogram véget ért, és húzza ki a hálózati csatlakozót.

Az előkamrához való hozzáférés érdekében tegye a következőket:



1. Egy csavarhúzó segítségével távolítsa el a burkolópanelt a készülék elejéről (lásd ábra);



2. Órairánnyal ellentétesen forgatva csavarja le a fedelet (lásd ábra). Természetes, hogy egy kevés víz kifolyik;

3. Gondosan tisztítsa ki az üreg belsejét;
4. Csavarja vissza a fedelet;
5. Szerelje vissza a panelt – mielőtt a gép felé nyomná, győződjön meg arról, hogy a horgok a hozzájuk tartozó furatokba illeszkednek.

A vízbevezető cső ellenőrzése

Évente legalább egyszer ellenőrizze a vízbevezető csövet. Ha repedezett vagy hasadozott, ki kell cserélni – a mosás során a nagy nyomás hirtelen szakadást okozhat.

! Soha ne használjon korábban már használt csöveket.

Előfordulhat, hogy a mosógép nem működik. Mielőtt felhívna a szervizt (lásd „Szerviz”), ellenőrizze, hogy nem olyan problémáról van-e szó, amely a következő lista segítségével egyszerűen megoldható!

Rendellenességek:

Lehetséges okok / megoldás:

A mosógép nem kapcsol be.

- A hálózati csatlakozódugó nincs bedugva az aljzatba, vagy nem eléggé ahhoz, hogy jól érintkezzen.
- Nincs áram a lakásban.

A mosási ciklus nem indul el.

- A mosógép ajtaja nincs jól bezárva.
- Nem nyomta meg a BEKAPCSOLÁS/KIKAPCSOLÁS gombot.
- Nem nyomta meg az ELINDÍTÁS/SZÜNTELTETÉS gombot.
- A vízcsap nincs nyitva.
- Az indítás időjelzőjén késletetés lett beállítva – késletetésidőzítő.

A mosógép nem kap vizet (a kijelzőn a “H2O” felirat villog).

- A vízbevezető cső nincs csatlakoztatva a csaphoz.
- A cső meg van törve.
- A vízcsap nincs nyitva.
- A lakásban nincs víz.
- Nincs elegendő nyomás.
- Nem nyomta meg az ELINDÍTÁS/SZÜNTELTETÉS gombot.

A mosógép folytonosan szívja, és üríti a vizet.

- A leeresztőcső nem a padlószinttől 65 és 100 cm közötti magasságban van felszerelve (lásd „Üzembe helyezés”).
- A leeresztőcső vége vízbe merül (lásd „Üzembe helyezés”).
- A fali szifonnak nincs szellőzése.

Ha ezen vizsgálatok után a probléma nem oldódik meg, zárja el a vízcsapot, kapcsolja ki a mosógépet, és hívja ki a szervizszolgálatot. Ha a lakás egy épület legfelsőbb emeleteinek egyikén található, lehetséges, hogy a csatornaszellőző eltömődésének jelensége (szivornyahatás) lépett fel, ezért a mosógép folytonosan szívja, és leereszti a vizet. E kellemetlenség elkerülésére a kereskedelmi forgalomban rendelkezésre állnak csatornaszellőző-szelepek.

A mosógép nem üríti le a vizet, vagy nem centrifugál.

- A program nem ereszti le a vizet: néhány programnál a vizet kézzel kell leereszteni.
- A leeresztőcső meg van törve (lásd „Üzembe helyezés”).
- A lefolyó el van dugulva.

A mosógép nagyon rázkódik a centrifugálás alatt.

- Az üzembe helyezéskor a forgódob rögzítése nem lett eltávolítva (lásd „Üzembe helyezés”).
- A készülék nincs vízszintben (lásd „Üzembe helyezés”).
- A mosógép bútorok és falak közé van szorítva (lásd „Üzembe helyezés”).

A mosógépből elfolyik a víz.

- A vízbevezető cső nincs jól felcsavarva (lásd „Üzembe helyezés”).
- A mosószer-adagoló fiók eltömődött (tisztításához lásd „Karbantartás és ápolás”).
- A leeresztőcső nincs szorosan rögzítve (lásd „Üzembe helyezés”).

Az „funkció” lámpák és az „elindítás/szüneteltetés” lámpa villog, az egyik „folyamatban lévő fázis” lámpa és az „ajtózár” lámpa állandó fénnel világít.

- Kapcsolja ki a készüléket, és húzza ki a dugót a konnektorból, várjon körülbelül 1 percet, majd indítsa újra!
Ha a hiba továbbra is fennáll, forduljon a szervizhez!

Sok hab képződik.

- A mosószer nem mosógépekhez való (kell, hogy szerepeljen rajta, hogy „gépi”, „kézi vagy gépi mosáshoz”, vagy hasonló).
- Túl sok mosószert használt.

Mielőtt a szervizhez fordulna:

- Győződjön meg arról, hogy a hibát nem tudja saját maga is elhárítani (lásd „*Rendellenességek és elhárításuk*”);
- Indítsa újra a programot, hogy lássa, elhárította-e a hibát;
- Ellenkező esetben forduljon az engedéllyel rendelkező szakszervizhez a garanciajegyen található telefonszámon.

! Soha ne forduljon engedéllyel nem rendelkező szerelőhöz!

Közölje:

- a meghibásodás jellegét;
- a mosógép típusát (Mod.);
- a gyártási számot (S/N).

Ezek az adatok a mosógép hátoldalán, illetve az elülső oldalon az ajtó belsején elhelyezett adattáblán találhatóak.

PL

Polski

IWUD 4105

Spis treści

Instalacja, 50-51

Rozpakowanie i wypoziomowanie
Podłączenia hydrauliczne i elektryczne
Pierwszy cykl prania
Dane techniczne

Opis pralki i uruchamianie programu, 52-53

Panel sterowania
Kontrolki
Uruchamianie programu

Programy, 54

Tabela programów

Personalizacja, 55

Ustawianie temperatury
Ustawianie wirowania
Funkcje

Środki piorące i bielizna, 56

Szufladka na środki piorące
Przygotowanie bielizny
Tkaniny wymagające szczególnego traktowania
System równoważenia ładunku

Zalecenia i środki ostrożności, 57

Ogólne zasady bezpieczeństwa
Utylizacja

Utrzymanie i konserwacja, 58

Odłączenie wody i prądu elektrycznego
Czyszczenie pralki
Czyszczenie szufladki na środki piorące
Konserwacja okrągłych drzwiczek i bębna
Czyszczenie pompy
Kontrola przewodu doprowadzającego wodę

Nieprawidłowości w działaniu i sposoby ich usuwania, 59

Serwis Techniczny, 60

Instalacja

PL

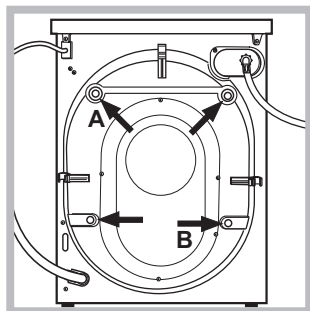
! Należy zachować niniejszą książeczkę, aby móc z niej skorzystać w każdej chwili. W przypadku sprzedaży, odstąpienia lub przeniesienia pralki w inne miejsce należy zadbać o przekazanie instrukcji wraz z maszyną, aby nowy właściciel mógł zapoznać się z działaniem urządzenia i z dotyczącymi go ostrzeżeniami.

! Należy uważnie przeczytać instrukcję obsługi: zawiera ona ważne informacje dotyczące instalacji oraz właściwego i bezpiecznego użytkowania pralki.

Rozpakowanie i wypoziomowanie

Rozpakowanie

1. Rozpakować pralkę.
2. Sprawdzić, czy nie doznała ona uszkodzeń w czasie transportu. W przypadku stwierdzenia uszkodzeń nie podłączać jej i skontaktować się ze sprzedawcą.



3. Odkręcić 4 śruby zabezpieczające maszynę na czas transportu oraz zdjąć gumowy element z podkładką, znajdujący się w tylnej części pralki (patrz rysunek).

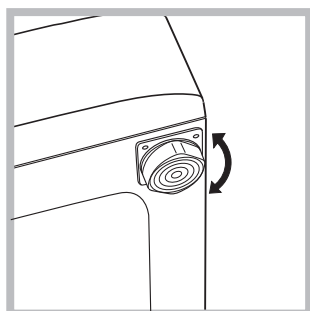
4. Zatkać otwory przy pomocy plastikowych zaślepek, znajdujących się w wyposażeniu maszyny.
5. Zachować wszystkie części: w razie konieczności przewiezienia pralki w inne miejsce, powinny one zostać ponownie zamontowane.

! Za każdym razem, kiedy urządzenie ma być przechyłane lub przesuwane, aby zachować integralność elementów wewnętrznych należy ponownie zamontować śruby, gumową podkładkę oraz płytkę odległościową w pozycjach A i B. Po przechyleniu lub przesunięciu urządzenia pamiętać o ponownym zdemontowaniu tych części.

! Części opakowania nie są zabawkami dla dzieci.

Poziomowanie

1. Ustawić pralkę na płaskiej i twardej podłodze, nie opierając jej o ściany, meble itp.

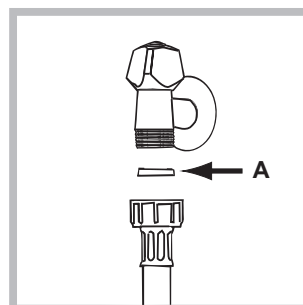


2. Jeśli podłoga nie jest idealnie pozioma, należy skompensować nierówności, odkręcając lub dokręcając przednie nóżki (patrz rysunek); kąt nachylenia, zmierzony na górnym blacie pralki nie powinien przekraczać 2°.

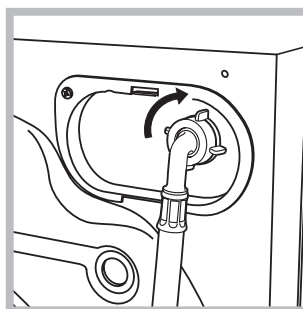
Staranne wypoziomowanie pralki zapewnia jej stabilność i zapobiega wibracjom, hałasowi oraz przesuwaniu się maszyny w czasie pracy. W razie ustawienia na dywanie lub wykładzinie dywanowej należy tak wyregulować nóżki, aby pod pralką pozostawała wolna przestrzeń niezbędna dla wentylacji.

Podłączenia hydrauliczne i elektryczne

Podłączenie przewodu doprowadzającego wodę



1. Wsunąć uszczelkę A do końcówki rury pobierania wody i przykręcić ją do kurka zimnej wody o gwintowanym otworze 3/4" (zobacz rysunek). Przed podłączeniem spuszczać wodę do momentu, aż stanie się ona całkowicie przezroczysta.



2. Podłączyć do maszyny przewód doprowadzający wodę, przykręcając go do odpowiedniego otworu dopływowego, znajdującego się w tylnej części pralki, z prawej strony u góry (patrz rysunek).

3. Zwrócić uwagę, aby na przewodzie nie było zagięć ani zwężeń.

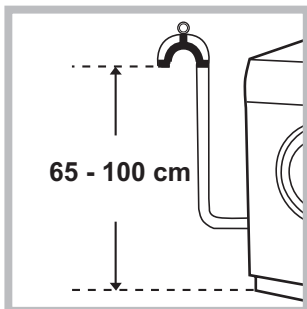
! Ciśnienie wody w kurku powinno mieścić się w przedziale podanym w tabeli Danych technicznych (patrz strona obok).

! Jeśli długość przewodu doprowadzającego wodę jest niewystarczająca, należy zwrócić się do specjalistycznego sklepu lub do autoryzowanego technika.

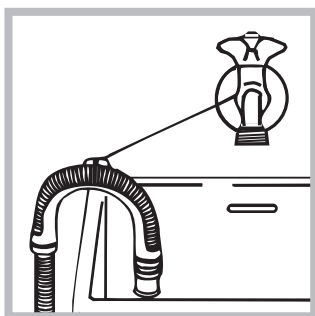
! Nigdy nie instalować już używanych przewodów.

! Stosować przewody znajdujące się w wyposażeniu maszyny.

Podłączenie przewodu odpływowego



Podłączyć przewód odpływowy, nie zginając go, do rury ściekowej lub do otworu odpływowego w ścianie, które powinny znajdować się na wysokości od 65 do 100 cm od podłogi;



ewentualnie oprzeć go na brzegu zlewu lub wanny, przymocowując do kranu prowadnik, znajdujący się w wyposażeniu (*patrz rysunek*). Wolny koniec przewodu odpływowego nie powinien być zanurzony w wodzie.

! Odradza się stosowanie przewodów przedłużających; jeśli to konieczne, przewód przedłużający powinien mieć taką samą średnicę jak oryginalny, a jego długość nie może przekraczać 150 cm.

Podłączenie elektryczne

Przed włożeniem wtyczki do gniazdka elektrycznego należy się upewnić, czy:

- gniazdko posiada uziemienie i jest zgodne z obowiązującymi przepisami;
- gniazdko jest w stanie wytrzymać maksymalne obciążenie mocy maszyny, wskazane w tabeli Danych technicznych (*patrz obok*);
- napięcie zasilania mieści się w wartościach wskazanych w tabeli Danych technicznych (*patrz obok*);
- gniazdko pasuje do wtyczki pralki. W przeciwnym razie należy wymienić gniazdko lub wtyczkę.

! Nie należy instalować pralki na otwartym powietrzu, nawet w osłoniętym miejscu, gdyż wystawienie urządzenia na działanie deszczu i burz jest bardzo niebezpieczne.

! Po zainstalowaniu pralki gniazdko elektryczne powinno być łatwo dostępne.

! Nie używać przedłużaczy ani rozgałęźników.

! Przewód nie powinien być pozginany ani przygnieciony.

! Przewód zasilania elektrycznego może być wymieniany wyłącznie przez autoryzowanych techników.

Uwaga! Producent nie ponosi żadnej odpowiedzialności w przypadku nieprzestrzegania powyższych zasad.

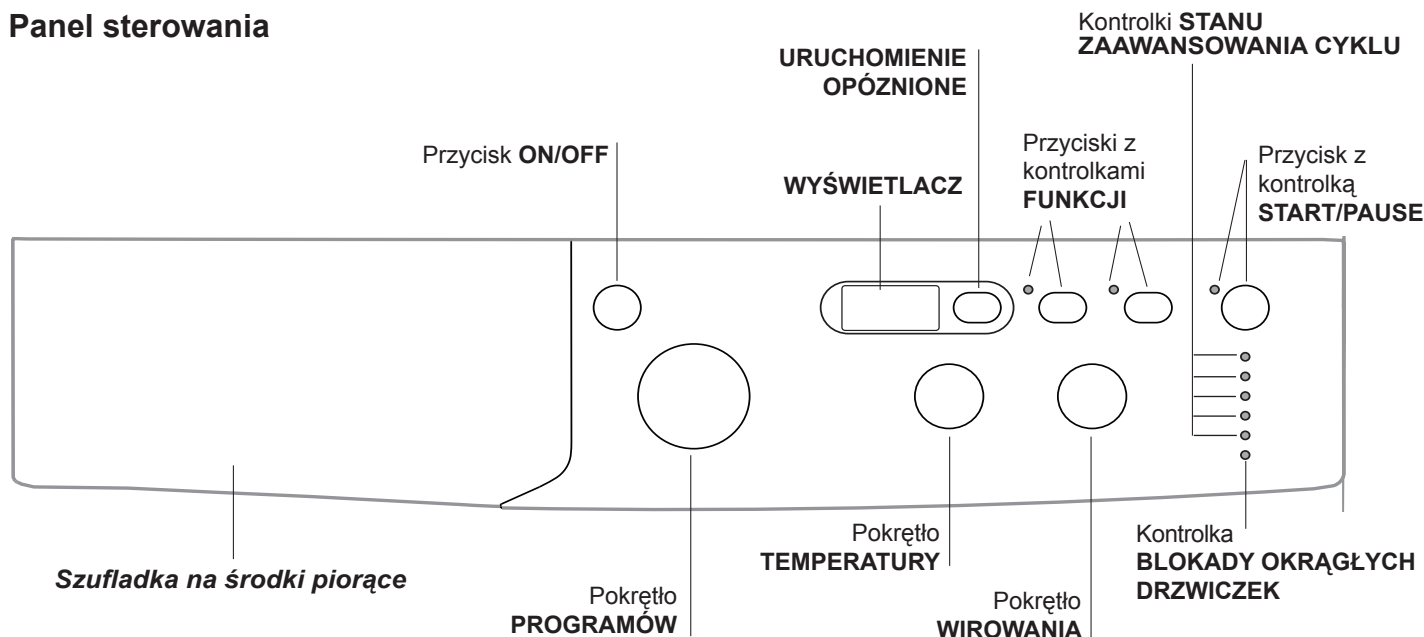
Pierwszy cykl prania

Po zainstalowaniu pralki, przed przystąpieniem do jej użytkowania, należy wykonać jeden cykl prania ze środkiem piorącym, ale bez wsadu, nastawiając program 2.

Dane techniczne	
Model	IWUD 4105
Wymiary	szerokość cm 59,5 wysokość cm 85 głębokość cm 33
Pojemność	od 1 do 4 kg
Dane prądu elektrycznego	dane techniczne umieszczone są na tabliczce na maszynie
Dane sieci wodociągowej	Maksymalne ciśnienie 1 MPa (10 barów) ciśnienie minimalne 0,05 MPa (0,5 barów) pojemność bębna 27 litrów
Szybkość wirowania	do 1000 obrotów na minutę
Programy testowe zgodnie z dyrektywą EN 60456	Program 2: temperatura 60°C; wykonane przy 4 kg załadowanej bielizny.
 	Urządzenie to zostało wyprodukowane zgodnie z następującymi przepisami EWG: - 2004/108/CE (o Kompatybilności Elektromagnetycznej) - 2002/96/CE - 2006/95/CE (o Niskim Napięciu)

Opis pralki i uruchamianie programu

Panel sterowania



Szufladka na środki piorące: do dozowania środków piorących i dodatków (patrz „Środki piorące i bielizna”).

Przycisk **ON/OFF**: do włączania i wyłączania pralki.


Pokrętko **PROGRAMÓW**: do ustawiania programów. W czasie trwania programu pokrętko pozostaje nieruchome.

Przyciski z kontrolkami **FUNKCJI**: do wyboru dostępnych funkcji. Kontrolka wybranej funkcji pozostaje zaświecona.

Pokrętko **WIROWANIA**: do nastawienia lub wyłączenia wirowania (patrz „Personalizacja”).


Pokrętko **TEMPERATURY**: do regulacji temperatury prania lub do nastawienia prania w zimnej wodzie (patrz „Personalizacja”).

WYŚWIETLACZ: aby wyświetlić czas trwania poszczególnych dostępnych programów i po starcie, czas, jaki pozostał do zakończenia programu; w przypadku, gdy została ustawiona funkcja **URUCHOMIENIE OPÓZNIONE**, wyświetlony zostanie pozostały czas od momentu startu wybranego programu.

Przycisk **URUCHOMIENIE OPÓZNIONE** : nacisnąć w celu ustawienia opóźnionego uruchomienia wybranego programu. Opóźnienie wyświetlone zostanie na ekranie.

Kontrolki **STANU ZAAWANSOWANIA CYKLU**: umożliwiają kontrolę stanu zaawansowania programu prania. Zapalona kontrolka wskazuje bieżącą fazę.

Kontrolka **BLOKADY OKRĄGLYCH DRZWICZEK**: pozwala sprawdzić czy możliwe jest otwarcie okrągłych drzwiczek (patrz strona obok).

Przycisk z kontrolką **START/PAUSE**: do uruchamiania programów lub ich chwilowego przerywania. **N.B.:** aby przerwać wykonywane pranie, należy nacisnąć ten przycisk, jego kontrolka zacznie pulsować na pomarańczowo, natomiast kontrolka bieżącej fazy będzie świecić ciągłym światłem. Jeśli kontrolka **BLOKADY OKRĄGLYCH DRZWICZEK**  jest wyłączona, można otworzyć drzwiczki pralki. W celu ponownego uruchomienia prania od momentu, w którym zostało ono przerwane, należy ponownie nacisnąć ten przycisk.

Funkcja stand by






Pralka ta, w myśl nowych norm europejskich związanych z oszczędnością elektryczną, posiada system auto wyłączenia (stand by), który włącza się po 30 minutach nie użytkowania. Ponownie lekko wcisnąć przycisk **ON/OFF** i poczekać, aż pralka ponownie włączy się.

Kontrolki

Kontrolki dostarczają ważnych informacji. Oto co sygnalizują:

Kontrolki bieżącej fazy prania:

Po wybraniu i uruchomieniu żadanego cyklu prania kontrolki będą się kolejno zapalać, wskazując stan zaawansowania programu:

Pranie	
Płukanie	
Wirowanie	
Odprowadzanie wody	
Koniec prania	

Przyciski funkcyjne i ich kontrolki


Po dokonaniu wyboru funkcji jej kontrolka zaświeci się. W przypadku wyboru funkcji niezgodnej z ustawionym programem jej kontrolka zacznie pulsować i funkcja nie włączy się.

Jeśli wybrana funkcja nie jest zgodna z inną, ustawioną uprzednio, kontrolka odpowiadająca pierwszej funkcji będzie pulsowała i uruchomiona zostanie jedynie druga funkcja a kontrolka uruchomionej funkcji zaświeci się.

Kontrolka blokady okrągłych drzwiczek

Włączona kontrolka wskazuje, że drzwiczki zostały zablokowane w celu uniemożliwienia ich otwarcia; aby można było otworzyć drzwiczki, kontrolka musi być wyłączona; (odczekać około 3 minuty). Aby otworzyć drzwiczki w trakcie wykonywania cyklu należy nacisnąć przycisk START/PAUSE; jeśli kontrolka BLOKADY OKRĄGŁYCH DRZWICZEK jest wyłączona, można otworzyć drzwiczki.

Uruchamianie programu

1. Włączyć pralkę, naciskając przycisk ON/OFF. Wszystkie kontrolki zapalą się na kilka sekund, następnie wyłączą się i zacznie pulsować kontrolka START/PAUSE.
2. Załadować bieliznę i zamknąć drzwiczki pralki.
3. Ustawić żądany program przy pomocy pokrętła PROGRAMÓW.
4. Ustawić temperaturę prania (*patrz „Personalizacja”*).
5. Ustawić szybkość wirowania (*patrz „Personalizacja”*).
6. Wsypać środek piorący i dodatki (*patrz „Środki piorące i bielizna”*).
7. Wybrać żądane funkcje.
8. Uruchomić program naciskając przycisk START/PAUSE, kontrolka programu będzie świecić ciągłym światłem w kolorze zielonym. Aby anulować ustawiony cykl, należy chwilowo zatrzymać urządzenie, naciskając przycisk START/PAUSE, i wybrać nowy cykl.
9. Po zakończeniu programu zapali się kontrolka END. Po zgaśnięciu kontrolki BLOKADY OKRĄGŁYCH DRZWICZEK  można otworzyć drzwiczki. Wyjąć bieliznę i pozostawić drzwiczki pralki uchylone, aby bęben mógł wyschnąć. Wyłączyć pralkę, naciskając przycisk ON/OFF.

Programy

PL

Tabela programów

Programy	Opis programu	Temp. max (°C)	Predkosc max (obrotów na minute)	Srodki piorace				Ladunek max (kg)		Czas trwania cyklu
				Pranie Wstepne	Pranie	Wybielacz	Srodek zmiekczejacy	Nor-malny	Eco Time	
Programy codzienne										
1	BAWEŁNA Z PRANIEM WSTĘPNYM: bielizna biała silnie zabrudzona.	90°	1000	●	●	-	●	4	-	Możliwa jest kontrola czasu trwania programów na wyświetlaczu.
2	BIAŁA BAWELNA: bielizna biała silnie zabrudzona.	90°	1000	-	●	●	●	4	-	
2	BIAŁA BAWELNA (1): tkaniny białe i kolorowe, wytrzymałe, mocno zabrudzone.	60°	1000	-	●	●	●	4	-	
2	BIAŁA BAWELNA (2): tkaniny białe i kolorowe, delikatne, lekko zabrudzone.	40°	1000	-	●	●	●	4	-	
3	BAWEŁNA: tkaniny białe i kolorowe, wytrzymałe, mocno zabrudzone.	60°	1000	-	●	●	●	4	2,5	
4	KOLOROWA BAWELNA (3): tkaniny białe lekko zabrudzone i delikatne kolorowe.	40°	1000	-	●	●	●	4	2,5	
5	BIĄŁE SYNTETYKI: tkaniny kolorowe, wytrzymałe, mocno zabrudzone.	60°	800	-	●	●	●	1,8	1,5	
6	DELIKATNE SYNTETYKI: tkaniny kolorowe, wytrzymałe, lekko zabrudzone.	40°	800	-	●	●	●	1,8	1,5	
Programy specjalne										
7	WEŁNA: do wełny, kaszmiru, itp.	40°	600	-	●	-	●	1	-	
8	JEDWAB/FIRANKI: do jedwabiu, wiskozy, bielizny.	30°	0	-	●	-	●	1	-	
9	JEANS	40°	800	-	●	-	●	1,5	-	
10	EXPRESS: w celu szybkiego odświeżenia lekko zabrudzonych tkanin (nie-wskazany dla wełny, jedwabiu i tkanin przeznaczonych do prania ręcznego).	30°	800	-	●	-	●	1,5	-	
Sportowe										
11	Sport Intensive	30°	600	-	●	-	●	1,5	-	
12	Sport Light	30°	600	-	●	-	●	1,5	-	
13	Specjalny Obuwie	30°	600	-	●	-	●	Maks. 2 pary.	-	
Programy czesciowe										
	Płukanie	-	1000	-	-	●	●	4	-	
	Wirowanie	-	1000	-	-	-	-	4	-	

Podane w tabeli dane mają charakter orientacyjny.

Dla wszystkich Instytucji homologacyjnych:

- 1) Program kontrolny zgodny z normą EN 60456: ustawić program 2, wybierając temperaturę 60°C.
- 2) Program bawełna, długi: ustawić program 2, wybierając temperaturę 40°C.
- 3) Program bawełna, krótki: ustawić program 4, wybierając temperaturę 40°C.

Programy specjalne

Express (program 10) to program przeznaczony do prania lekko zabrudzonej bielizny w krótkim czasie: trwa on tylko 15 minut i pozwala dzięki temu na zaoszczędzenie energii i czasu. Ustawiając program (10 w temperaturze 30°C) można razem wyprać różnego rodzaju tkaniny (z wyjątkiem wełny i jedwabiu), przy maksymalnym ładunku 1,5 kg.

Sport Intensive (program 11) został opracowany do prania tkanin używanych do produkcji odzieży sportowej (dresów, krótkich spodenek itp.) o dużym stopniu zabrudzenia; dla uzyskania najlepszych rezultatów prania zaleca się nie przekraczać maksymalnego wsadu określonego w „Tabela programów”.

Sport Light (program 12) został opracowany do prania tkanin używanych do produkcji odzieży sportowej (dresów, krótkich spodenek itp.) o niewielkim stopniu zabrudzenia; dla uzyskania najlepszych rezultatów prania zaleca się nie przekraczać maksymalnego wsadu określonego w „Tabela programów”. Zaleca się stosowanie płynnych środków do prania, w ilości jak dla połowy wsadu.

Specjalny Obuwie (program 13) został opracowany do prania obuwia sportowego; dla uzyskania najlepszych rezultatów nie należy prać jednocześnie więcej niż 2 par obuwia.

Ustawianie temperatury

Obracając pokrętkiem TEMPERATURA ustawia się temperaturę prania (patrz *Tabela programów*).

Temperaturę można zmniejszać, aż do prania w zimnej wodzie ❄.


Pralka automatycznie uniemożliwi ustawienie temperatury wyższej od maksymalnej temperatury przewidzianej dla danego programu.

Ustawianie wirowania

Obracając pokrętkiem WIROWANIE ustawia się prędkość wirowania dla wybranego programu.

Maksymalne prędkości przewidziane dla poszczególnych programów są następujące:

Programy	Prędkość maksymalna
Bawełna	1000 obrotów na minutę
Tkaniny syntetyczne	800 obrotów na minutę
Wełna	600 obrotów na minutę
Jedwab	tylko odprowadzenie wody

Prędkość wirowania może zostać zmniejszona, można też całkowicie wyłączyć wirowanie, wybierając symbol .

Pralka automatycznie uniemożliwi wykonanie wirowania z prędkością większą niż maksymalna prędkość wirowania przewidziana dla danego programu.

Funkcje

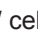
Różne funkcje, w jakie wyposażona jest pralka, pozwalają na uzyskanie oczekiwanej czystości i bieli prania.

Aby włączyć poszczególne funkcje, należy:

1. nacisnąć przycisk odpowiadający żądanej funkcji;
2. zapalenie się jego kontrolki sygnalizuje, że funkcja jest włączona.

Uwaga: Szybkie pulsowanie kontrolki wskazuje, że danej funkcji nie można ustawić dla wybranego programu.

Uruchomienie opóźnione

W celu ustawienia opóźnionego rozpoczęcia wybranego programu należy naciskać odpowiedni przycisk aż do osiągnięcia żądanego czasu opóźnienia. Kiedy opcja ta jest aktywna, na wyświetlaczu pojawia się symbol . W celu usunięcia opóźnionego uruchomienia należy naciskać przycisk aż do pojawienia się napisu "OFF".

! Jest aktywny ze wszystkimi programami.

EcoTime

W przypadku wyboru tej opcji ruchy bębna, temperatura i woda są dostosowywane do niedużego wsadu tkanin bawełnianych i syntetycznych, o niewielkim stopniu zabrudzenia (patrz „*Tabela programów*”). „EcoTime” możesz pracować szybciej, oszczędzając wodę i energię. Zaleca się stosować płynny środek do prania, dostosowując jego ilość do ilości wsadu.

! Funkcji tej nie można włączyć w programach 1, 2, 7, 8, 9, 10, 11, 12, 13, , , .

Odplamianie

Cykl wybielania pomocny przy usuwaniu wytrzymałych plam. Należy pamiętać o dodaniu wybielacza do dodatkowego pojemnika 4 (patrz „*Cykl wybielania*”).

! Funkcji tej nie można włączyć w programach 1, 7, 8, 9, 10, 11, 12, 13, , .

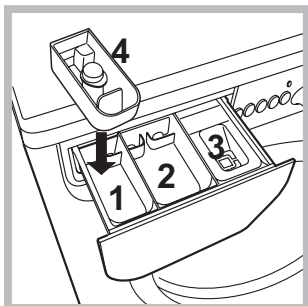
Środki piorące i bielizna

PL

Szufladka na środki piorące

Dobry rezultat prania zależy również od prawidłowego dozowania środka piorącego: użycie jego nadmiernej ilości nie poprawia skuteczności prania, lecz przyczynia się do powstawania nalotów na wewnętrznych częściach pralki i do zanieczyszczania środowiska.

! Nie stosować środków do prania ręcznego, ponieważ tworzą one za dużo piany.



Wysunąć szufladkę i umieścić w niej środek piorący lub dodatki w następujący sposób.

przegródka 1: Środek piorący do prania wstępnego (w proszku)

Przed wsypaniem środka piorącego należy sprawdzić, czy nie jest włożona dodatkowa przegródka 4.

przegródka 2: Środek piorący do prania właściwego (w proszku lub w płynie)

Płynny środek do prania należy wlać dopiero przed samym uruchomieniem programu.

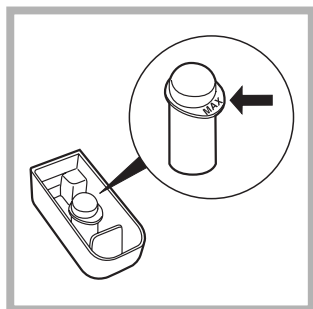
przegródka 3: Środki dodatkowe (zmiękczające, itp.)

Środek zmiękczający nie powinien wypływać poza kratkę.

dodatkowa przegródka 4: Wybielacz

Cykl wybielania

! Tradycyjnego wybielacza używa się do białych tkanin wytrzymałych, **delikatnego** – do tkanin kolorowych, syntetycznych i do wełny.



Funkcja ta przydatna jest w celu usuwania bardziej opornych plam. Wstawić dodatkowy pojemniczek 4, na wyposażeniu, do przegrodki 1. Przy dozowaniu wybielacza nie przekroczyć poziomu „max” wskazanego na

środkowej osce (patrz rysunek). Aby wykonać tylko wybielanie, należy wlać wybielacz do dodatkowego pojemnika 4 i ustawić program „Płukanie” i uruchomić funkcję „Odplamianie”. Aby przeprowadzić wybielanie w trakcie prania, należy wlać i wsypać odpowiednie środki piorące i dodatkowe, ustawić żądany program i uruchomić funkcję „Odplamianie”. Użycie pojemniczka dodatkowego 4 wyklucza pranie wstępne.

Przygotowanie bielizny

- Podzielić bieliznę do prania według:
 - rodzaju tkaniny / symbolu na etykietce.
 - kolorów: oddzielić tkaniny kolorowe od białych.
- Opróżnić kieszenie i sprawdzić guziki.
- Nie przekraczać wskazanego ciężaru suchej bielizny:
 - Tkaniny wytrzymałe: max 4 kg
 - Tkaniny syntetyczne: max 1,8 kg
 - Tkaniny delikatne: max 1,5 kg
 - Wełna: max 1 kg
 - Jedwab: max 1 kg

Ile waży bielizna?

- 1 prześcieradło 400-500 gr.
- 1 poszewka 150-200 gr.
- 1 obrus 400-500 gr.
- 1 szlafrok 900-1.200 gr.
- 1 ręcznik 150-250 gr.

Tkaniny wymagające szczególnego traktowania

Wełna: za pomocą programu 7 można prać w pralce także odzież wełnianą, również tę opatrzoną etykietą „tylko pranie ręczne”. Aby uzyskać jak najlepsze rezultaty, należy stosować specjalny środek do prania i nie przekraczać wsadu 1 kg.

Jedwab: stosować odpowiedni program 8 do prania wszelkiego rodzaju wyrobów z jedwabiu. Zaleca się stosowanie specjalnego środka piorącego do tkanin delikatnych.

Firany: włożyć je złożone do poszewki lub do siatkowego worka. Stosować program 8.

Jeans: przed praniem odwrócić odzież na lewą stronę, stosować płynny środek do prania. Używać programu 9.

System równoważenia ładunku

Przed każdym wirowaniem, aby uniknąć nadmiernych drgań oraz jednorodnie rozłożyć wsad, bęben wykonuje obroty z prędkością nieco większą niż podczas prania. Jeśli pomimo kolejnych prób wsad nie zostanie równomiernie rozłożony, maszyna wykona wirowanie z prędkością mniejszą od przewidzianej. W przypadku nadmiernego niezrównoważenia pralka wykona rozłożenie wsadu zamiast wirowania. Aby zapewnić lepsze rozłożenie wsadu oraz jego właściwe zrównoważenie, zaleca się wymieszanie dużych i małych sztuk bielizny.

! Pralka została zaprojektowana i wyprodukowana zgodnie z międzynarodowymi normami bezpieczeństwa. Niniejsze ostrzeżenia zostały tu zamieszczone ze względów bezpieczeństwa i należy je uważnie przeczytać.

Ogólne zasady bezpieczeństwa

- Urządzenie to nie jest przeznaczone do użytkowania przez osoby (w tym dzieci) o ograniczonej sprawności fizycznej, zmysłowej lub umysłowej oraz nieposiadające odpowiedniego doświadczenia i wiedzy, chyba że używają go pod nadzorem lub po otrzymaniu wskazówek od osoby odpowiedzialnej za ich bezpieczeństwo. Należy pilnować, aby dzieci nie bawiły się urządzeniem.
- Urządzenie to zostało zaprojektowane wyłącznie do użytkowania w warunkach domowych.
- Nie dotykać pralki, stojąc przy niej boso lub mając mokre lub wilgotne ręce albo stopy.
- Nie wyjmować wtyczki z gniazdka, ciągnąc za kabel, lecz trzymając za wtyczkę.
- W trakcie pracy maszyny nie otwierać szufladki na środki piorące.
- Nie dotykać odprowadzanej wody, gdyż może ona osiągać wysokie temperatury.
- W żadnym wypadku nie otwierać okrągłych drzwiczek pralki na siłę: grozi to uszkodzeniem mechanizmu zabezpieczającego drzwiczki przed przypadkowym otwarciem.
- W razie wystąpienia usterki nie należy w żadnym wypadku próbować dostać się do wewnętrznych części pralki z zamiarem samodzielnego dokonania naprawy.
- Zawsze uważać, aby dzieci nie zbliżały się do pracującej pralki.
- W czasie prania okrągłe drzwiczki pralki nagrzewają się.
- Jeśli trzeba przenieść pralkę w inne miejsce, należy to robić bardzo ostrożnie, w dwie lub trzy osoby. Nigdy nie przenosić pralki samodzielnie, gdyż jest ona bardzo ciężka.
- Przed włożeniem bielizny sprawdzić, czy bęben jest pusty.

Utylizacja

- Utylizacja opakowania: stosować się do lokalnych przepisów, dzięki temu opakowanie będzie mogło zostać ponownie wykorzystane.
- Europejska Dyrektywa 2002/96/EC dotycząca Zużytych Elektrycznych i Elektronicznych Urządzeń zakłada zakaz pozbywania się starych urządzeń domowego użytku jako nieposortowanych śmieci komunalnych. Zużyte urządzenia muszą być osobno zbierane i sortowane w celu zoptymalizowania odzyskania oraz ponownego przetworzenia pewnych komponentów i materiałów.

Pozwala to ograniczyć zanieczyszczenie środowiska i pozytywnie wpływa na ludzkie zdrowie. Przekreślony symbol „kosza” umieszczony na produkcie przypomina klientowi o obowiązku specjalnego sortowania.

Konsumenci powinni kontaktować się z władzami lokalnymi lub sprzedawcą w celu uzyskania informacji dotyczących postępowania z ich zużytymi urządzeniami gospodarstwa domowego.

Utrzymanie i konserwacja

PL

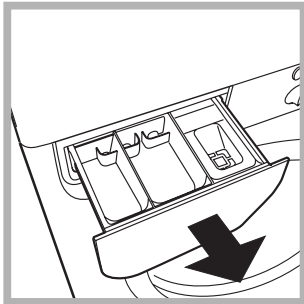
Odlączenie wody i prądu elektrycznego

- Zamknąć kurek dopływu wody po każdym praniu. W ten sposób zmniejsza się zużycie instalacji hydraulicznej pralki oraz eliminuje się niebezpieczeństwo wycieków.
- Przed przystąpieniem do czyszczenia pralki oraz do czynności konserwacyjnych wyjąć wtyczkę z gniazdka.

Czyszczenie pralki

Obudowę zewnętrzną i gumowe części pralki można myć ściereczką zmoczoną w letniej wodzie z mydłem. Nie stosować rozpuszczalników ani ściernych środków czyszczących.

Czyszczenie szufladki na środki piorące



Wysunąć szufladkę, unosząc ją lekko ku górze i wyciągając na zewnątrz (patrz rysunek). Wypłukać szufladkę pod bieżącą wodą. Czynność tę należy wykonywać stosunkowo często.

Konserwacja okrągłych drzwiczek i bębna

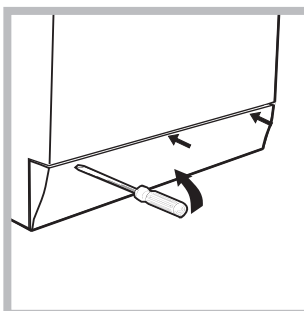
- Drzwiczki pralki należy zawsze pozostawiać uchylone, aby zapobiec tworzeniu się nieprzyjemnych zapachów.

Czyszczenie pompy

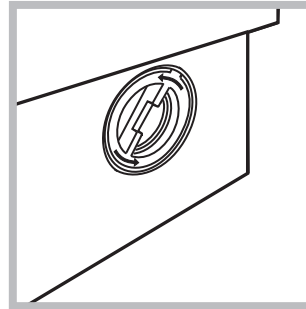
Pralka wyposażona jest w pompę samoczyszczącą, która nie wymaga zabiegów konserwacyjnych. Może się jednak zdarzyć, że drobne przedmioty (monety, guziki) wpadną do komory wstępnej zabezpieczającej pompę, która znajduje się w jej dolnej części.

! Należy się upewnić, że cykl prania został zakończony i wyjąć wtyczkę z gniazdka.

Aby dostać się do komory wstępnej:



1. zdjąć panel pokrywy z przedniej strony pralki przy pomocy śrubokrętu (patrz rysunek);



2. odkręcić pokrywę, obracając ją w kierunku przeciwnym do ruchu wskazówek zegara (patrz rysunek): wypłynięcie niewielkiej ilości wody jest normalnym zjawiskiem;

3. dokładnie wyczyścić wnętrze;
4. ponownie przykręcić pokrywę;
5. ponownie założyć panel upewniwszy się, przed dociśnięciem go do maszyny, czy zatrzaski zostały umieszczone w odpowiednich otworach.

Kontrola przewodu doprowadzającego wodę

Przynajmniej raz w roku należy sprawdzić przewód doprowadzający wodę. Jeśli widoczne są na nim pęknięcia i rysy, należy go wymienić: w trakcie prania duże ciśnienie może bowiem spowodować jego nagłe rozerwanie.

! Nigdy nie instalować już używanych przewodów.

Nieprawidłowości w działaniu ⓘ INDESIT i sposoby ich usuwania

Może się zdarzyć, że pralka nie działa. Przed wezwaniem Serwisu Technicznego (patrz „Serwis Techniczny”) należy sprawdzić, czy problemu nie da się łatwo rozwiązać przy pomocy poniższego wykazu.

Nieprawidłowości w działaniu: **Możliwe przyczyny / Rozwiązania:**

Pralka nie włącza się.

- Wtyczka nie jest włączona do gniazdka lub jest wsunięta za słabo, tak że nie ma styku.
- W domu nastąpiła przerwa w dostawie prądu.

Cykl prania nie rozpoczyna się.

- Drzwiczki pralki nie są dobrze zamknięte.
- Nie został wciśnięty przycisk ON/OFF.
- Nie został wciśnięty przycisk START/PAUSE.
- Kurek dopływu wody jest zamknięty.
- Zostało ustawione opóźnienie startu (patrz „Personalizacja”).

Pralka nie pobiera wody (Na wyświetlaczu pojawi się pulsujący napis „H2O”).

- Przewód doprowadzający wodę nie jest podłączony do kurka.
- Przewód jest zgięty.
- Kurek dopływu wody jest zamknięty.
- W domu nastąpiła przerwa w dostawie wody.
- Ciśnienie wody nie jest wystarczające.
- Nie został wciśnięty przycisk START/PAUSE.

Pralka cały czas pobiera i odprowadza wodę.

- Przewód odpływowy nie został zainstalowany na wysokości między 65 a 100 cm od podłogi (patrz „Instalacja”).
 - Końcówka przewodu odpływowego jest zanurzona w wodzie (patrz „Instalacja”).
 - Otwór odpływowy w ścianie nie posiada odpowietrznika.
- Jeśli po sprawdzeniu tych możliwości problem nie zostanie rozwiązany, należy zamknąć kurek dopływu wody, wyłączyć pralkę i wezwać Serwis Techniczny. Jeśli mieszkanie znajduje się na najwyższych piętrach budynku, może wystąpić efekt syfonu, w wyniku którego pralka cały czas pobiera i odprowadza wodę. W celu wyeliminowania tej niedogodności należy zakupić specjalny zawór, zapobiegający powstawaniu efektu syfonu.

Pralka nie odprowadza wody i nie odwirowuje prania.

- Program nie przewiduje odprowadzania wody: w przypadku niektórych programów należy uruchomić je ręcznie.
- Przewód odpływowy jest zgięty (patrz „Instalacja”).
- Instalacja odpływowa jest zatkana.

Pralka mocno wibruje w fazie wirowania.

- Podczas instalacji pralki bęben nie został prawidłowo odblokowany (patrz „Instalacja”).
- Pralka nie jest właściwie wypoziomowana (patrz „Instalacja”).
- Pralka, zainstalowana pomiędzy meblami a ścianą, ma za mało miejsca (patrz „Instalacja”).

Z pralki wycieka woda.

- Przewód doprowadzający wodę nie jest dobrze przykręcony (patrz „Instalacja”).
- Szufladka na środki piorące jest zatkana (w celu jej oczyszczenia patrz „Utrzymanie i konserwacja”).
- Przewód odpływowy nie jest dobrze zamocowany (patrz „Instalacja”).

Kontrolki “Funkcje” i kontrolka “START/PAUSE” migają i jedna z kontroltek “faza w toku” jak i “BLOKA-DY OKRĄGLYCH DRZWICZEK” będą świeciły się w sposób ciągły.

- Wyłączyć maszynę i wyjąć wtyczkę z gniazdka, odczekać około 1 minuty, następnie włączyć ją ponownie. Jeśli problem nie ustępuje, należy wezwać Serwis Techniczny.

Tworzy się zbyt duża ilość piany.

- Środek piorący nie jest odpowiedni do pralek automatycznych (na opakowaniu musi być umieszczony napis: „do pralek”, „do prania ręcznego i w pralce” lub podobny).
- Użyto za dużo środka piorącego.

PL

Przed skontaktowaniem się z Serwisem Technicznym:

- Sprawdzić, czy problemu nie można rozwiązać samodzielnie (patrz „Nieprawidłowości w działaniu i sposoby ich usuwania”);
- Ponownie uruchomić program i sprawdzić, czy problem nie zniknął;
- Jeśli nie, zwrócić się do autoryzowanego Serwisu Technicznego, dzwoniąc pod numer podany w karcie gwarancyjnej.

! Nigdy nie wzywać nieautoryzowanych techników.

Należy podać:

- rodzaj nieprawidłowości;
- model maszyny (Mod.);
- numer seryjny (S/N).

Informacje te znajdują się na tabliczce umieszczonej w tylnej części pralki oraz widocznej z przodu po otwarciu drzwiczek.