

# Electrolux

## DITO

### K120 Vertical Cutter-Mixer

ITEM # \_\_\_\_\_

MODEL # \_\_\_\_\_

PROJECT NAME # \_\_\_\_\_

SIS # \_\_\_\_\_

AIA # \_\_\_\_\_

Electrolux  
DITO



#### K120 Vertical Cutter-Mixer

- 603297 (K120FU) K120 VCM (s/s bowl) 2 SPEED 208-240 V/3p/60Hz
- 603309 (KE120FU) K120 VCM (s/s bowl) Variable SPEED 208-240 V/1p/50/60Hz

#### Short Form Specification

Item No. \_\_\_\_\_

Unit to be Electrolux Dito K120FU or KE120FU K120 Vertical Cutter-Mixer. Electrical characteristics to be 208-240 V, Three-phase operation with 2 speed at 1800 or 3600 rpm or to be 208-240 V, Single -phase operation with Variable speeds at 300-3600 rpm. Vertical Cutter-Mixer designed for vertical cutting and mixing in 12.2 quart quantities: puree, mix, chop, blend, mix and knead dough.

#### Main features

- Power: 3 HP for two speed model, and 3 HP for variable speed model
- 1800/3600 rpm for two speed model, and 300-3600 rpm for variable speed model.
- 2.2 kW for two speed model, and 2.2 kW for variable speed model.
- Red OFF, green ON, and PULSE buttons.
- Compact design.
- Belt drive.
- All stainless steel bowl.
- Magnetic safety system and motor brake. Prevents machine from running when bowl lid swings away from magnetic switch or is open.
- Delivered with:
  - 12.2 qt. stainless steel bowl with smooth edge "S" blade included.
  - Complete selection of accessories available.
  - Dimensions: (HxLxW): 20.4" x 16.4" x 26.75".
  - Approx. shipping weight—128 lbs.
  - NEMA L15-20P for two speed model, and NEMA 6-20P for variable speed model.
  - 2 year parts warranty, 1 year labor.

#### Included Accessories:

- Smooth Blade Rotor - 12.2 qt. VCM (PNC 653179)
- 12.2 qt. Stainless Steel Bowl (PNC 653270)

#### Optional Accessories:

- Smooth Blade Rotor - 12.2 qt. VCM (PNC 653179)
- Serrated Blade Rotor - 12.2 qt. VCM (PNC 653299)
- Equipped Scraper for 12.2 qt. VCM (PNC 653277)
- 12.2 qt. Stainless Steel Bowl (PNC 653270)
- Stainless Steel Mobile Stand (PNC 653017)

K120 Vertical Cutter-Mixer



With L15-20P (for Model PNC 603297)



With 6-20P (for Model PNC 603309)

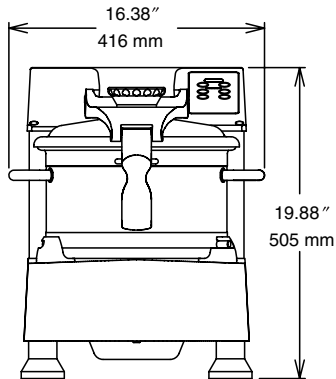
Approval: \_\_\_\_\_

**Electrolux Professional, Inc.**

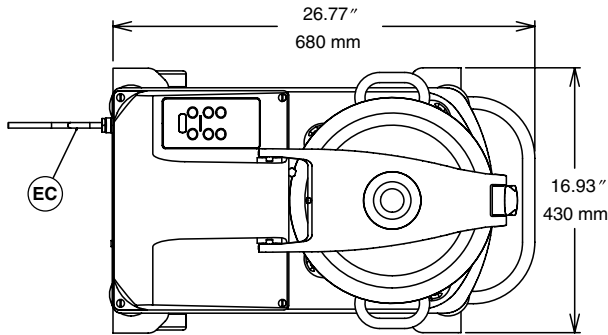
[www.electroluxusa.com/professional](http://www.electroluxusa.com/professional)

3225 SW 42nd Street, Fort Lauderdale, Florida, 33312 • Telephone Number: 866-449-4200 • Fax Number: 954-327-6789

**Front View**



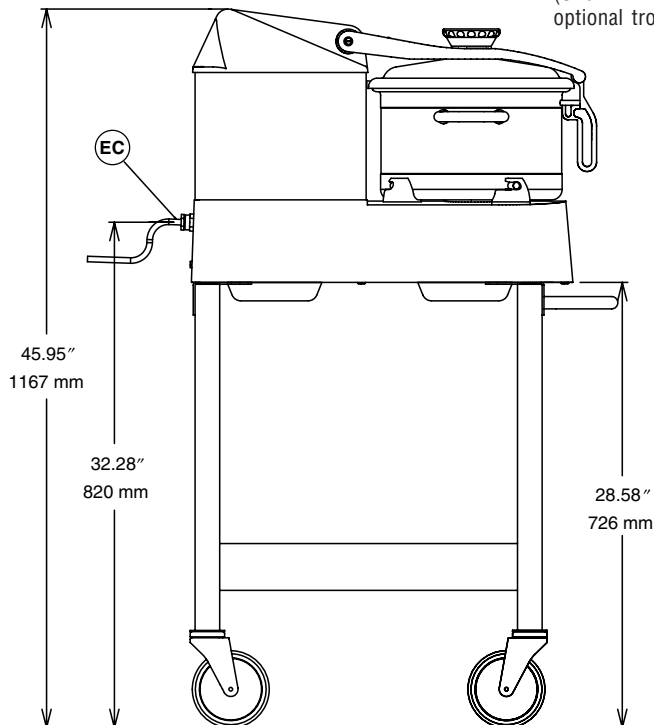
**Side View**



EC = Electrical connection

**Top View**

(Shown with optional trolley.)



**Electric**

**Supply voltage:**

**603297 (K120FU)** 208-240 V/3p/60Hz – 15A

**603309 (KE120FU)** 208-240 V/1p/50/60Hz – 15A

**Key Information**

**Uses of Food Processor**

**MEAT**

Rough mincing

Pates

Small sausages

Large sausages

Minced meat

Shellfish

Fine mincing

Stuffing

Mousses

**PASTRY**

Shortcrust

Cold water paste

Flan

**POWDER**

Almonds

Hazelnuts

**FRUITS AND VEGETABLES**

Purees

Mousses

Syrups

**CHOPPING**

Parsley

Onions