

Item
Model
ProjectName



## MMR

This Dito Electrolux Professional range of power drive units consists of 4 table top models with attachments available for the processing of food such as meat, vegetables, cheese, bread etc.

600200

## FEATURES

- The main body of the motor gear unit is fitted onto a revolving base so that the attachments can be used in different positions. Constructed in 304 AISI stainless steel.
- Closed type motor, self-ventilated, equipped with thermal cut-out device against overloading.
- Motor unit with special steel helical gears operating in a crankcase with oil additives.
- The motor gear units are on a 304 AISI stainless steel support with rubber feet.
- Two rotation speeds, controlled by a switch that is also the ON/OFF switch.
- All units function on three phase electrical supply and are not convertible to single phase.
- Cone attachment for rapid insertion of the

interchangeable attachments with a locking device and safety microswitch.

- The following attachments and accessories are available:

**Meat Mincer** - body in aluminium alloy; scroll in anodized aluminium alloy mounted on self-lubricating bearings; stainless steel conveyor hopper;

**Graters** - roller in 304 AISI stainless steel rotating in self-lubricating bearings;

**Squeezer** - body in anodized inoxal; stainless steel conveyor hopper; filter with 2 mm holes; nylon pestle suitable for use with food;

**Masher** - body in anodized inoxal; sieve in stainless steel with 2.5 mm holes; white polythene pestle for use with food;

**Power drive units**



**DITO****Electrolux**

**Vegetable Cutter** - body in anodized inoxal; self lubricating bearings for supporting the discs;

**Meat Tenderizer** - body in anodized inoxal; two rolls of strainer with stainless steel serrated blade;

**Salt Grinder** - body in anodized inoxal; special hard-wearing mill; aluminium loading hopper; device for the continuous control of the fineness of the grind;

**Pasta Roller** - body in anodized inoxal; chromed steel roller mounted on a self-lubricating bearings; device for continuous control of the thickness of the pasta strips;

**Coffee Grinder** - body in anodized inoxal; special hard-wearing mill; aluminium loading hopper; device for the continuous control of the fineness of the grind;

**Mixer** - bowl in 18/8 stainless steel; whisk and holder in stainless steel; support in anodized inoxal; device for the continuous alteration of the angle of the whisk depending on the amount of product to be mixed;

**Pasta Cutter** - body in anodized inoxal; roller in 304 AISI stainless steel mounted on a self-lubricating bearings;

## Specifications

MODEL	MMR104 600200	MMR224 600202	MMR222 600203	MMR324 600204
External dimensions - mm				
width	370	370	370	370
depth	260	260	260	260
height	410	410	410	410
Power - kW				
total power	0.75	1.1	1.1	2.2
Electrical power - kW	0.75	1.1	1.1	2.2
Net weight - kg.	26	29	29	32
Supply voltage	400 V, 3, 50	400 V, 3, 50	230 V, 3, 50	400 V, 3, 50



**DITO****Electrolux**

## Optional accessories

CODE	DESCRIPTION	MMR104 600200	MMR224 600202	MMR222 600203	MMR324 600204
651101	BEATER/MIXER-N.10 HUB-5 LITRES	✓			
651107	BEATER/MIXER-N.22/32 HUB-10 LITRES		✓	✓	✓
651109	BEATER/MIXER-N.22/32 HUB-18 LITRES		✓	✓	✓
651105	BEATER/MIXER-N.22/32 HUB-5 LITRES		✓	✓	✓
650801	COFFEE GRINDER-N.10 HUB-5 KG/H	✓			
650805	COFFEE GRINDER-N.22/32 HUB-8 KG/H		✓	✓	✓
650609	DISC FOR CHIPS MM 10X10	✓	✓	✓	✓
650607	DISC FOR CHIPS MM 5X5	✓	✓	✓	✓
650605	DISC FOR JULIENNE MM 3	✓	✓	✓	✓
651301	DOUGH CUTTER-N.10 HUB	✓			
651305	DOUGH CUTTER-N.22/32 HUB		✓	✓	✓
651201	DOUGH ROLLER-N.10 HUB	✓			
651205	DOUGH ROLLER-N.22/32 HUB		✓	✓	✓
650202	GRATER-N.10 HUB-15 KG/H	✓			
650206	GRATER-N.22 HUB-25 KG/H		✓	✓	
650212	GRATER-N.32 HUB-50 KG/H				✓
650601	GRID FOR CUBES MM 9X9 & 14X14	✓	✓	✓	✓
650101	MEAT MINCER-N.10 HUB-100 KG/H	✓			
650105	MEAT MINCER-N.22 HUB-200 KG/H		✓	✓	
650111	MEAT MINCER-N.32 HUB-400 KG/H				✓
650701	MEAT TENDERIZER-N.10 HUB	✓			
650705	MEAT TENDERIZER-N.22/32 HUB		✓	✓	✓
650402	POTATO MASHER-N.10 HUB-200 KG/H	✓			
650401	POTATO MASHER-N.22/32 HUB-200 KG/H		✓	✓	✓
651512	S/S MOBILE STAND FOR POWER DRIVE UNIT	✓			
600228	S/S STAND FOR POWER DRIVE UNIT	✓			
650905	SALT GRINDER-N.22/32 HUB-8 KG/H		✓	✓	✓
650301	UNIVERSAL SQUEEZER-N.10 HUB-200 KG/H	✓			
650305	UNIVERSAL SQUEEZER-N.22/32 HUB-200 KG/H		✓	✓	✓
650501	VEGETABLE SLICER-N.10 HUB + SLICING DISC	✓			
650505	VEGETABLE SLICER-N.22/32HUB+SLICING DISC		✓	✓	✓
651401	WALL TYPE HOLDER FOR N.10-HUB UTENSILS	✓			
651405	WALL TYPE HOLDER FOR N.22/32-HUB UTENS.		✓	✓	✓

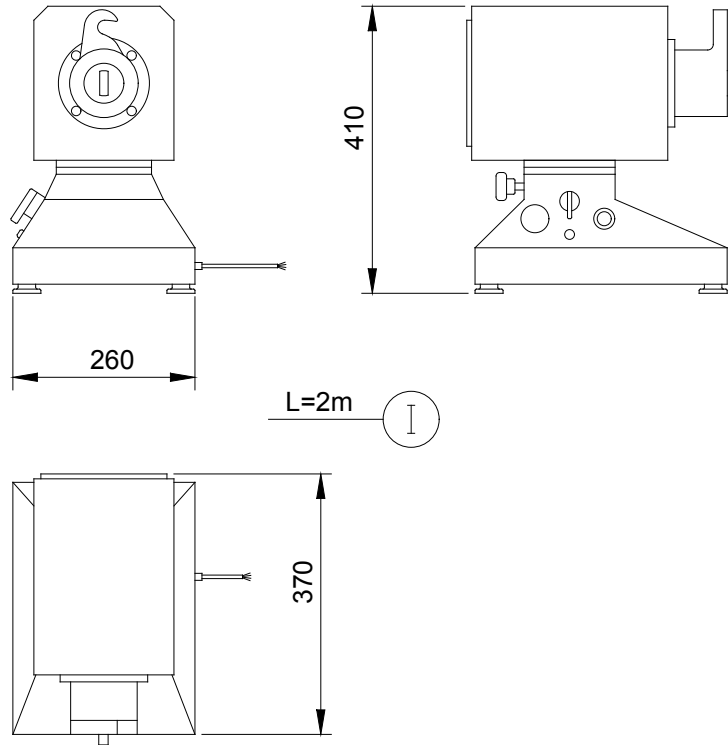


**DITO**

**Electrolux**

## Installation drawings

600200, 600204, 600203, 600202



MODEL	MMR104 600200	MMR224 600202	MMR222 600203	MMR324 600204
I - Electrical connection	400 V, 3, 50	400 V, 3, 50	230 V, 3, 50	400 V, 3, 50

The manufacturer reserves the right to modify and make improvements to the products without giving prior warning. Dimensions, illustrations, technical data, weights, etc. are given as an indication only.



[www.dito-electrolux.com](http://www.dito-electrolux.com)

# Power drive units

AEAB010

