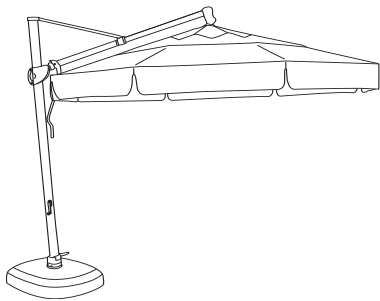
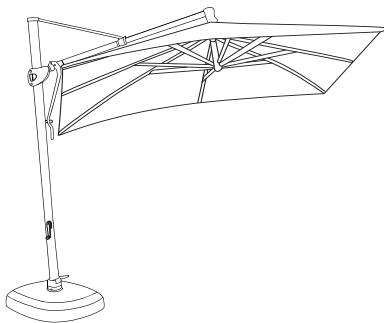

OPERATION MANUAL

INSTRUCTIONS FOR BOTH: AKZ 11 ft. (Octagon) & AKZSQ 10 ft. X 10 ft. (Square)

AKZ



AKZ 11 ft. (Octagon)

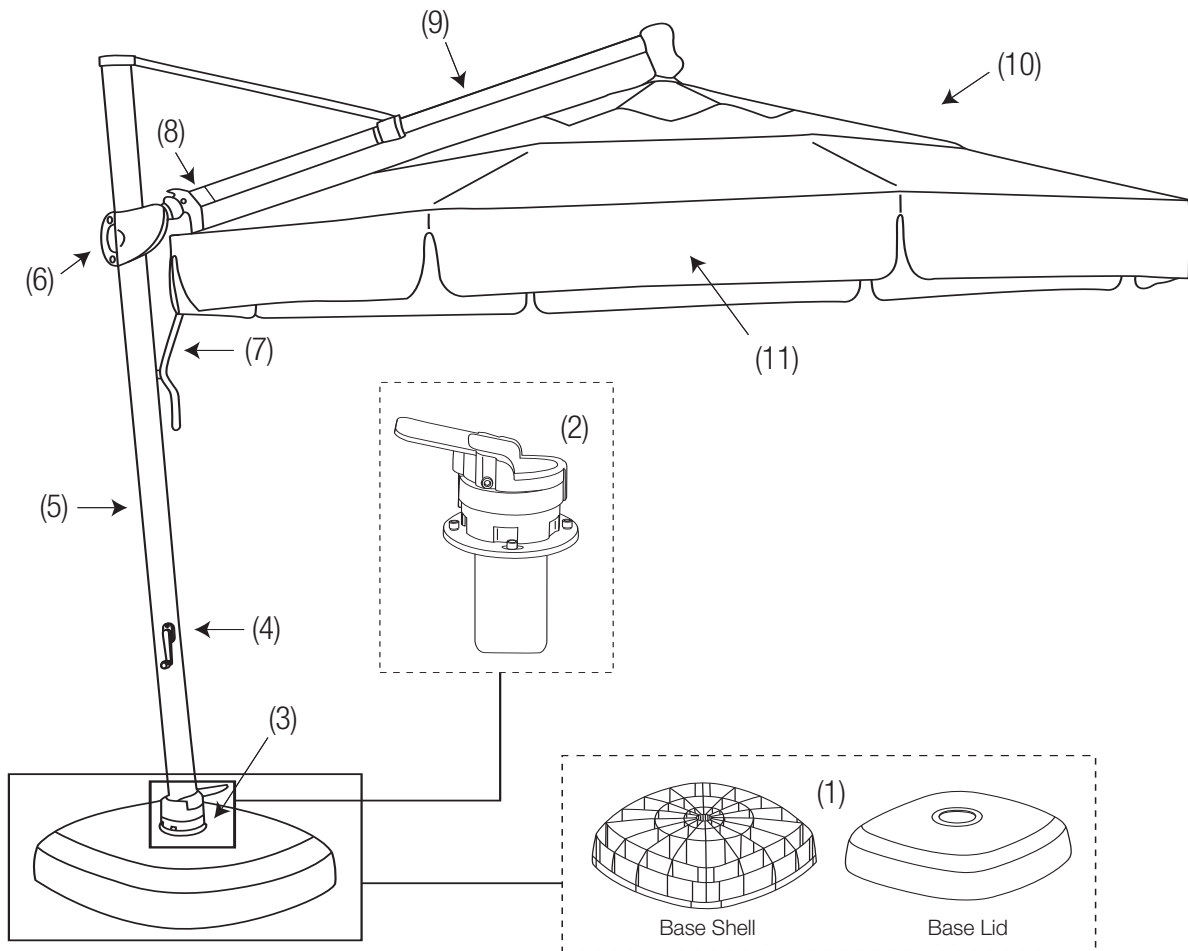


AKZSQ 10 ft. X 10 ft. (Square)

CONTENTS

Important Parts and Names	2
Assembly Instructions	3 - 5
Operation Instructions	6 - 8
Important Notes	9

IMPORTANT PARTS AND NAMES



- | | |
|----------------------------|------------------------|
| 1. Base Shell and Base Lid | 7. Tilt Lever |
| 2. 360° Rotating Hub | 8. Tilt Degree Scale |
| 3. Base Pedal | 9. Canopy Support Beam |
| 4. Crank Lift Handle | 10. Canopy |
| 5. Main Frame Stand | 11. Valance |
| 6. Main Frame Grip | |

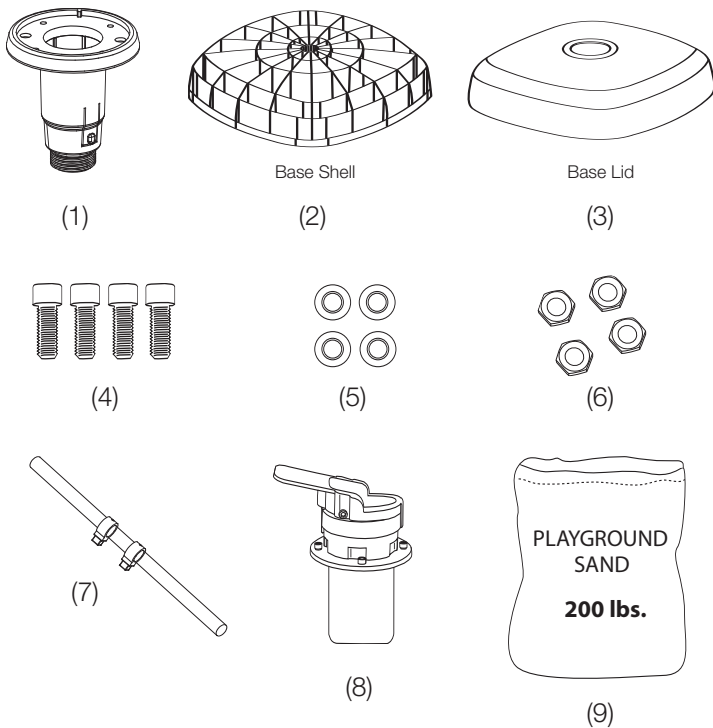


ASSEMBLY INSTRUCTIONS

Parts

All our products are tested for quality and completeness before delivery. Check the contents of the packaging before starting assembly. If any components are missing, contact your dealer. PLEASE, keep the original packaging for returns or for any guarantee work which may be necessary.

AKZ Base Parts



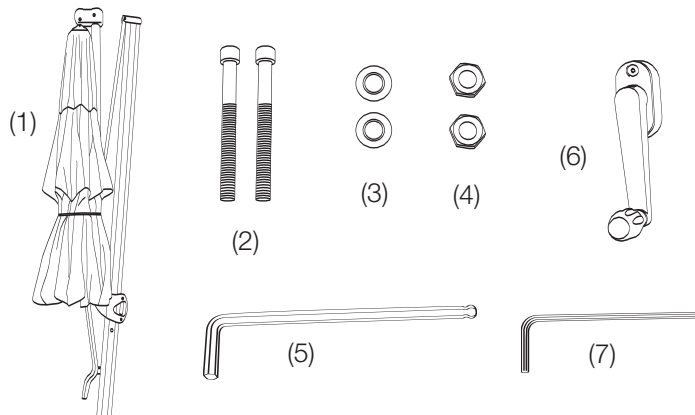
Required for AKZ Base Assembly

No	Name	Qty.
1	Inverted Base Stem	1
2	Base Shell	1
3	Base Lid	1
4	Bolt	4
5	Washer	4
6	Nut	4
7	Steel Wrench	1
8	Rotating Hub	1
9	200 lbs. Playground Sand (not included)	

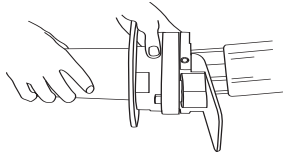
Required for AKZ Frame Assembly

No	Name	Qty.
1	AKZ Main Frame	1
2	Large Bolt	2
3	Washer	2
4	Nut	2
5	Large Hexagon Wrench	1
6	Crank Handle	1
7	Small Hexagon Wrench	1

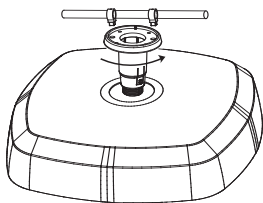
AKZ Frame Parts



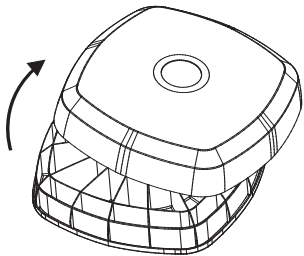
ASSEMBLY INSTRUCTIONS



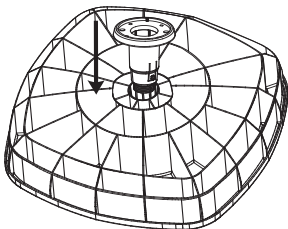
(Fig.1)



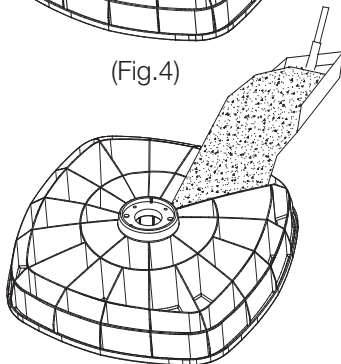
(Fig.2)



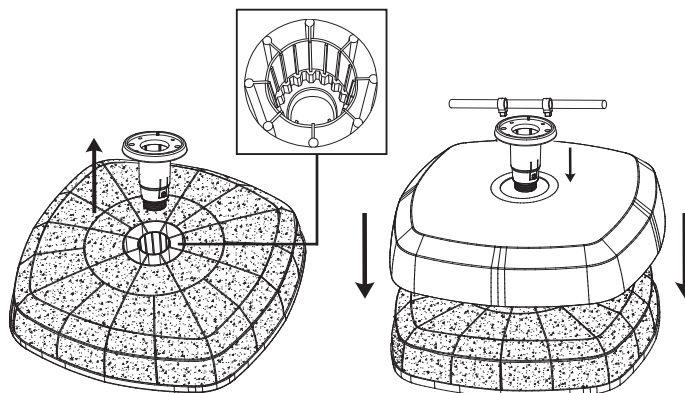
(Fig.3)



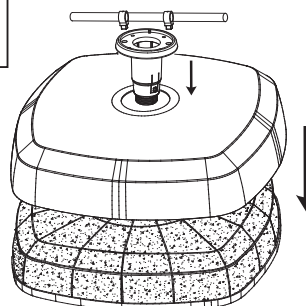
(Fig.4)



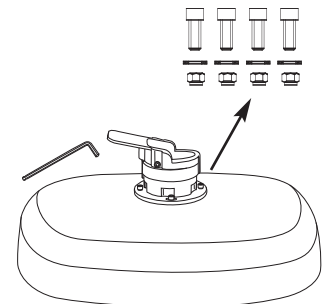
(Fig.5)



(Fig.6)



(Fig.7)

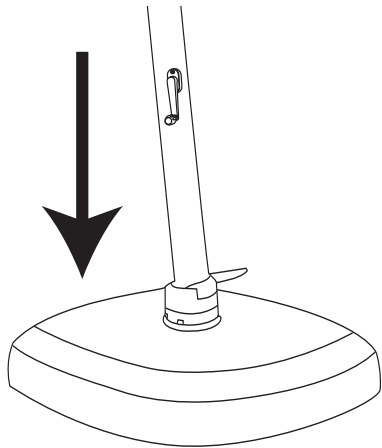


(Fig.8)

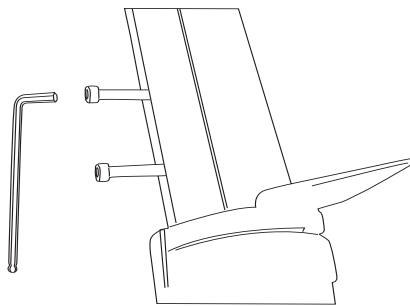
Assemble the AKZ 360 Rotating Base Hub

1. Separate the rotating hub from the AKZ main frame by pulling it out from the frame (Fig.1).
2. Select area to set base and place in desired location.
3. Remove inverted base stem from base shell using the steel wrench. Turn the steel wrench in counter-clockwise motion (Fig.2).
4. Remove base shell (Fig.3).
5. Return inverted base stem into base shell (Fig.4).
Please note: This step is necessary to prevent sand from entering base stem channel. If sand does enter base stem channel, remove immediately as it will impede further installation.
6. Fill the base with dry playground sand (Fig.5).
The AKZ Base holds up to 250 lbs. of sand. When filling the base, it is necessary to wet down the sand after partial installation. Fill the base with remaining sand after wet down.
* Base weight will be 250 lbs. after sand and water is added.
7. Remove inverted base stem (repeat step 2) (Fig.6).
8. Place Base Lid back onto Base Shell and install the inverted base stem (Fig.7). (Do not over tighten inverted base stem, or parts may be damaged).
9. Insert the Rotating Hub into the inverted base stem, and tighten with supplied nuts & bolts (Fig.8).

ASSEMBLY INSTRUCTIONS



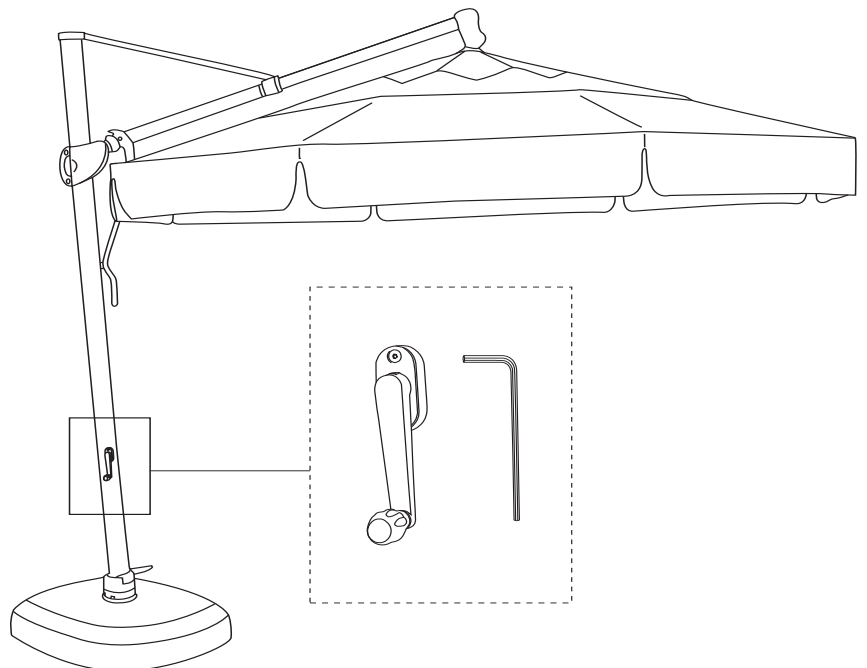
(Fig.1)



(Fig.2)

To Assemble AKZ Cantilever Umbrella

1. Remove the umbrella and set it into the rotating hub in the upright position (Fig.1). **(We recommend Two-Person team lift for this part of the installation)**
2. Locate two holes on bottom portion of main frame then place the main frame into the rotating hub accordingly.
3. Insert hexagon machine bolts into holes, install acorn nuts and tighten using large hexagon wrench (Fig.2).
4. Locate the crank lift handle (Fig.3) and install onto the mid-area of the main frame. Use the small hexagon wrench to lock in the small screw (Fig.3).
5. AKZ Umbrella is now ready to operate.



(Fig.3)



OPERATION INSTRUCTIONS

Before You Open Your AKZ Umbrella

Note the following product dimensions:

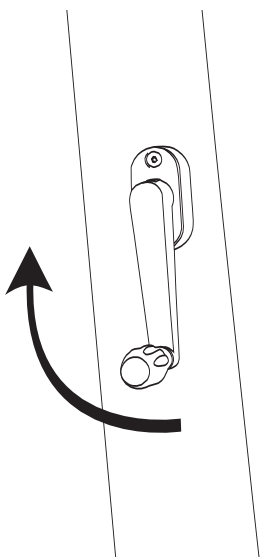
- Height measurement including base is 10 ft.
- Width measurement including base is 13 ft.

Choosing a location for your AKZ Cantilever Umbrella

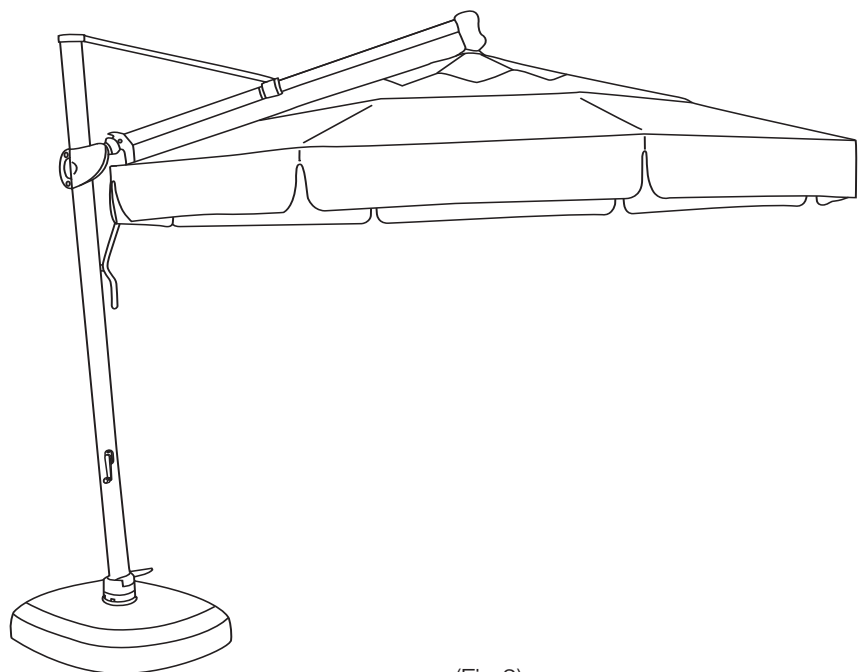
Before assembling the AKZ Umbrella it is important to decide on the location of the umbrella. Choose a location that level and sturdy. Avoid any sloping or soft ground cover. Also consider a location that will maximize the umbrella's rotating swivel function. Placing the AKZ between two entertaining areas is ideal.

To Open AKZ Canopy

- 1) Turn the crank handle slowly and in a clockwise manner to open the umbrella to a level position (Fig.1).
- 2) Stop turning the crank handle as soon as the umbrella cover is completely open and the sleeve on the umbrella pole has reached its maximum height (Fig.2). **DO NOT CONTINUE TO CRANK** once umbrella canopy is completely open, as it will impair your ability to disengage the tilt lever.



(Fig.1)



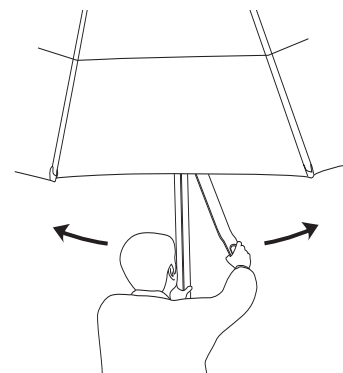
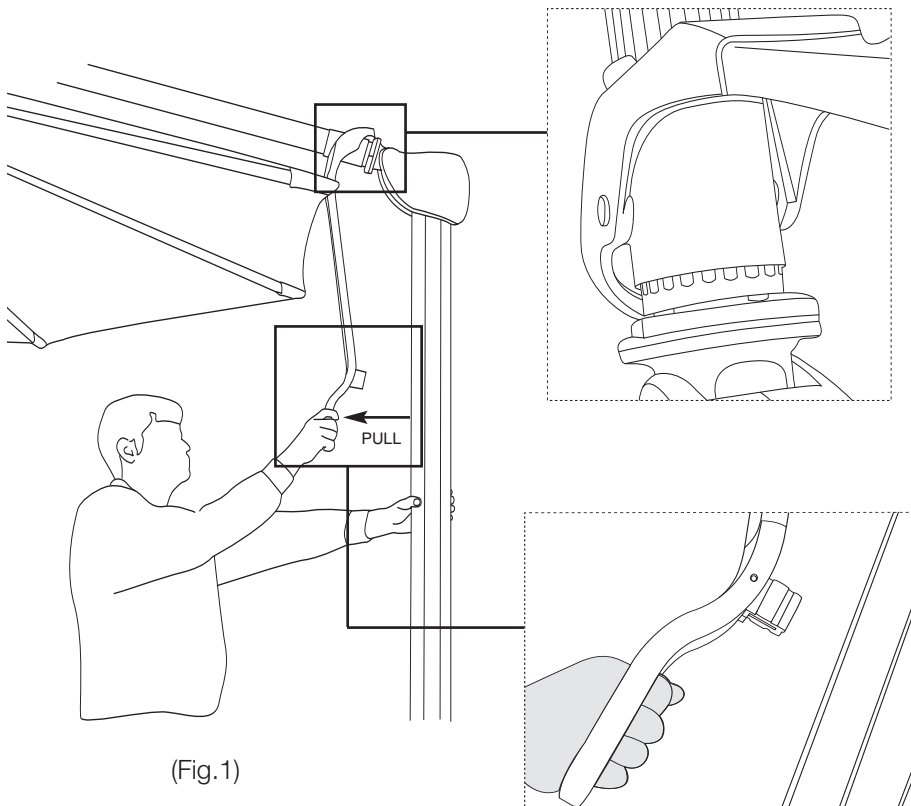
(Fig.2)

OPERATION INSTRUCTIONS

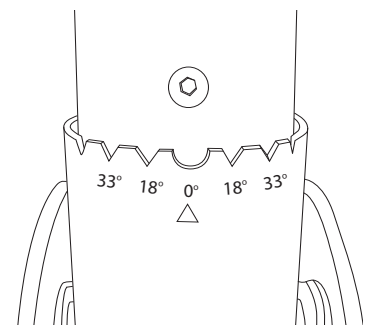
Important: Before you use the tilt feature on the AKZ Umbrella it is important to make sure the area behind you is clear to avoid personal injury or damage to the umbrella as well as any other outdoor structure or furniture.

To Tilt AKZ Canopy

- 1) Position yourself in front of the tilt lever.
- 2) Pull the tilt lever towards you to disengage the tilting gears (Fig.1, with details).
- 3) To tilt the canopy: While gears are disengaged, move the tilt lever to the left or right (Fig.2), depending on your desired tilt. (Use the tilt degree scale as a guide, Fig.3).
- 4) Once desired tilt is reached, re-engage the tilting gears by pushing the tilt lever back (towards the main frame) and place the tilt lever back into its original setting on the main frame.



(Fig.2)

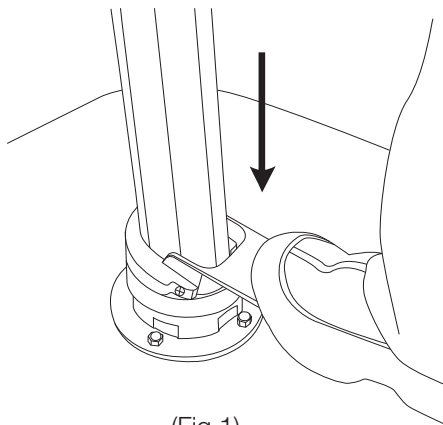


(Fig.3)

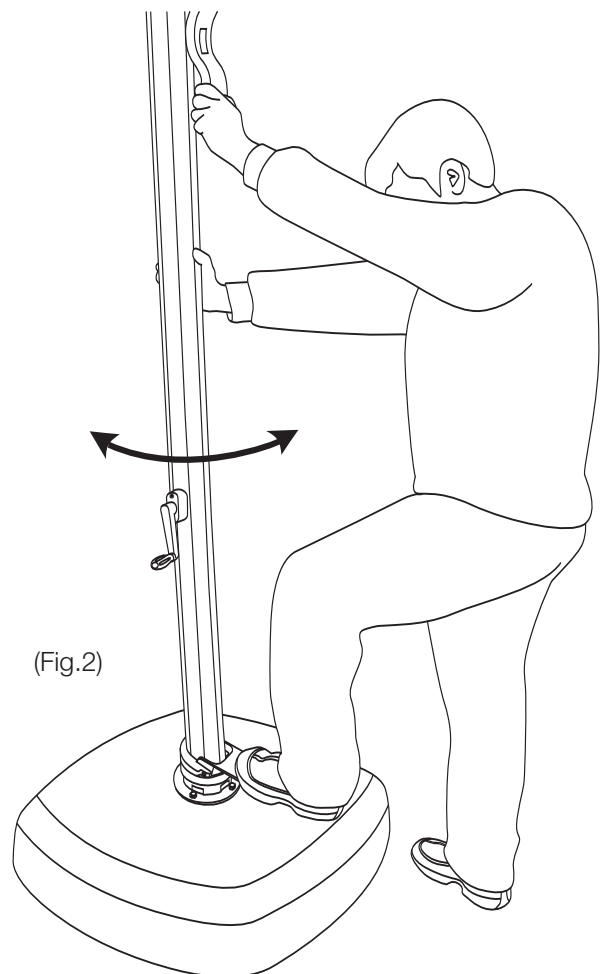
OPERATION INSTRUCTIONS

Operating the AKZ 360° Rotating Hub Swivel Feature

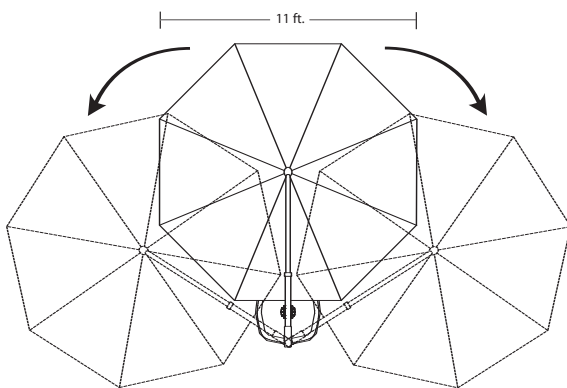
1. Place your foot on the foot pedal of the Rotating Hub and Step-On the base pedal to release rotating lock (Fig.1).
2. Place one hand on main frame and one hand on the tilt lever (Fig.2) and swivel the umbrella frame in either direction, in 90 degree increments (Fig.3).
3. To lock position, step off the foot pedal to engage rotating lock.



(Fig.1)



(Fig.2)



(Fig.3)



IMPORTANT NOTES

AKZ Umbrella Weight

The AKZ Umbrella weighs over 300 lbs. once fully assembled. Moving the umbrella fully assembled will increase the risk of damage to your umbrella and can cause serious injury. We recommend a two-person team to dismantle umbrella before moving or placing into storage.

Wind Damage Information

We recommend that you always close your umbrella in windy conditions as well as when not in use to avoid damage to your umbrella frame and outdoor furniture. Follow the manufacturers instructions regarding umbrella placement and base weight to insure stability of your umbrella. Wind Damage is NOT covered under any umbrella warranty.

WARRANTY

Treasure Garden products are guaranteed for ONE FULL YEAR to be free from defects in original material and workmanship. If a defect in the original material or workmanship appears during the warranty period; Treasure Garden (at its option) will replace or repair your product without charge. Damage caused by neglect or abuse are not covered under the warranty. Contact your local dealer where the product was purchased for return information.