

THE SCIENCE



OF SURVIVAL

**COBHAM**

**PRODUCT SUPPORT MANUAL  
GLOBALFIX™ PRO  
406 MHz GPS EPIRB //**

**Model No.: RLB-37  
Product No.: 2842, 2844  
Y1-03-0242 Rev. B**



OWNER \_\_\_\_\_

VESSEL \_\_\_\_\_

RADIO CALL SIGN \_\_\_\_\_

UIN # \_\_\_\_\_



ACR Electronics, Inc. // 5757 Ravenswood Road // Fort Lauderdale // FL // 33312-6645

Tel: +1 (954) 981-3333 // Fax: +1 (954) 983-5087 // [www.acrelectronics.com](http://www.acrelectronics.com)



**CAUTION:** Before proceeding to install, test or use your new ACR Electronics' product, please read this Product Support Manual in its entirety.

If you have questions regarding the contents of the manual, please contact our Technical Service Department at ACR Electronics, Inc., Telephone +1 (954) 981-3333. Please be ready to provide the technician with the page number you wish to discuss. If you have a question that is not covered in the manual, please visit our website and access the Frequently Asked Questions (FAQs) section for further information or call our Technical Service Department. The website address is [www.acrelectronics.com](http://www.acrelectronics.com). If in the future you lose this manual, you may access and print a replacement on the ACR website.

**NOTE re: Applicable products**

This manual supports all configurations of GlobalFix™ PRO/ RLB-37 beacons. In addition to the part numbers listed on the cover page, other configurations of these products are available, thus you may have purchased a product configuration with a somewhat different part number. As long as the first four digits are the same as one of the two part numbers on the cover, this manual is applicable.

## Table of Contents

<b>STEP ONE - REGISTERING YOUR BEACON</b>	<b>3</b>
<b>STEP TWO - HOW THE BEACON WORKS</b>	<b>6</b>
<b>STEP THREE - INSTALLING THE BEACON</b>	<b>15</b>
<b>STEP FOUR - MAINTAINING THE BEACON</b>	<b>19</b>
<b>APPENDIX A - USING AND TESTING THE GPS SYSTEMS</b>	<b>25</b>
<b>APPENDIX B - THE COSPAS-SARSAT SYSTEM</b>	<b>26</b>
<b>APPENDIX C - TECHNICAL SPECIFICATIONS</b>	<b>27</b>
<b>APPENDIX D - WARRANTY, USEFUL LIFE POLICY, NOTICES</b>	<b>28</b>

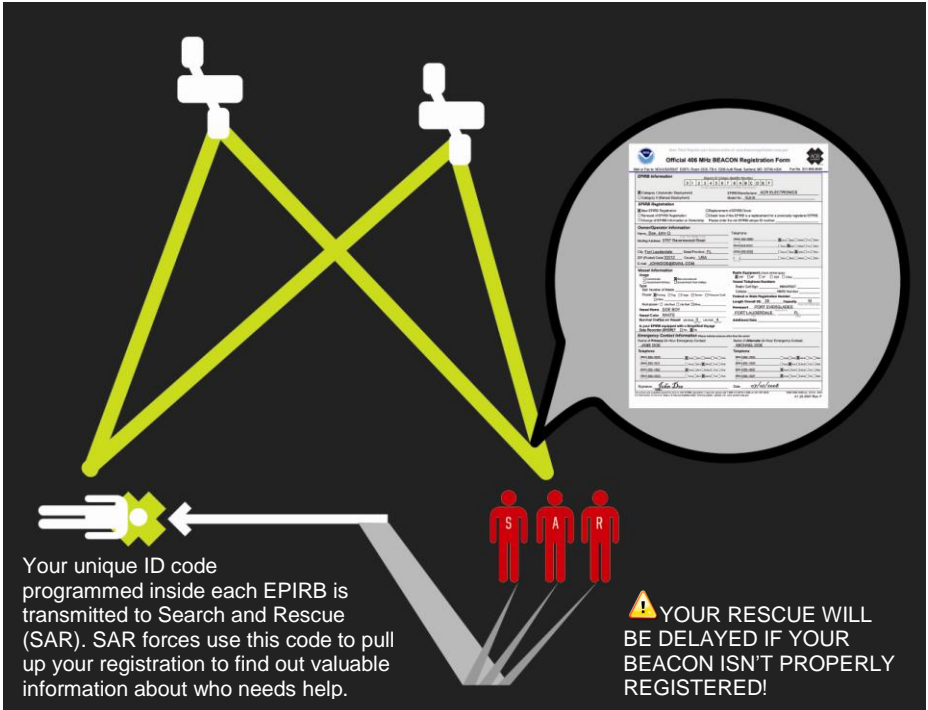


**PLEASE READ ALL WARNINGS,  
CAUTIONS AND NOTES CAREFULLY**

# STEP ONE - REGISTERING YOUR BEACON

## 1. Why is registration important?

As the owner of this 406 MHz beacon, it is mandatory that you register it with the EPIRB national authority of your country: It is the law. Please note that all 406 MHz beacons are required to have their registration updated every two years by the owner.



## HOW REGISTRATION WORKS:

All 406 MHz beacons transmit a Unique Identifier Number (UIN) when activated. This UIN is programmed into the beacon based on the country in which the beacon is registered, thus authorities are able to determine which country's database will have your registration information. SAR forces will have information as to who you are as the owner of the beacon, the name and type of vessel that you have, your homeport, and who to contact that might know of your current situation - but only if your beacon has been properly registered. Valuable search and rescue resources are wasted every year responding to false alarms, and registering your beacon helps to resolve false alarms quickly.

## 2. What country should I register in?

Register your beacon with the EPIRB national authority of the country for which the beacon was programmed, typically the country where purchased, regardless of where you do your boating.

The beacon must be reprogrammed if you, as the owner, move or the vessel sails under the flag of a different country than the one for which the beacon was previously programmed. To verify the country for which a beacon is programmed, see the label with the UIN (Unique Identification Number) on the back of the unit. Units that do not have a country specified on the UIN label are programmed for the United States.

## 3. How do I register?

### Registration in the United States

The national authority that accepts registrations in the United States is the National Oceanic and Atmospheric Administration (NOAA).

Here are three ways to register:

1. The fastest and easiest way to register is online at [www.beaconregistration.noaa.gov/](http://www.beaconregistration.noaa.gov/).
2. Faxing a registration is also acceptable. Fax the registration form to the fax number on the top of the registration form.

**NOTE:** Do not confuse the registration form with the ACR Electronics warranty card.

3. If online or fax registration is not available, mail the registration form with the pre-addressed, postage paid envelope to:

**NOAA SARSAT Beacon Registration  
NSOF, E/SP3  
4231 Suitland Road  
Suitland, MD 20746**

All registration forms will be entered in the 406 MHz beacon registration database within 48 hours of receipt. The information you provide on the registration form is used for rescue purposes only.

A confirmation letter, a copy of the actual registration and a proof-of-registration decal will be mailed to you within two weeks. When you receive these documents, **please check the information carefully with the existing label on the unit**, and then affix the decal to your beacon in the area marked "BEACON DECAL HERE." If you do not receive confirmation back from NOAA in the expected timeframe, call toll free (888) 212-7283 for assistance.

### Registration outside of the United States

In countries other than the United States, 406 MHz beacons are registered with that country's national authority at the time of purchase. The sales agent should have assisted you in filling out the forms and sending them to the country's national authority. Alternatively, many countries allow online registration in the International 406 MHz Beacon Registration Database (IBRD) at [www.406registration.com](http://www.406registration.com).

To verify that the unit is properly programmed for your country, view the UIN label on the back of the unit. In the event that the beacon is not programmed for your country, the sales agent (if properly equipped) can reprogram the unit for the correct country.

#### **4. Do I need a radio license?**

In the United States, you may or may not need to obtain or update a radio station license. Check the FCC's website at [http://wireless.fcc.gov/services/index.htm?job=licensing&id=ship\\_stations](http://wireless.fcc.gov/services/index.htm?job=licensing&id=ship_stations) or call toll-free (888) 225-5322 (CALLFCC) for the latest information.

Outside of the United States, contact your local authority for the requirements.

## STEP TWO - HOW THE BEACON WORKS

### 1. How your beacon brings help

406 MHz beacons are a type of portable emergency equipment that transmits a distress signal to search and rescue (SAR) organizations. The purpose of these beacons is to aid SAR teams in tracking and locating ships or individuals in jeopardy as rapidly as possible.

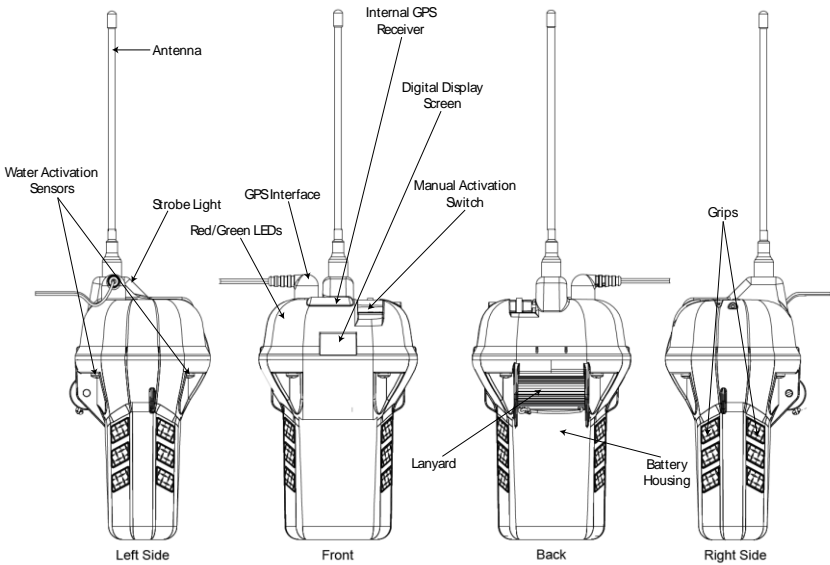
The 406 MHz frequency is a worldwide dedicated emergency frequency that is detected by a special system of satellites called the Cospas-Sarsat system. This satellite system was established by, and continues to be supported by, its primary benefactors - the USA, Russia, Canada and France. The Cospas-Sarsat system has saved over 24,800 lives - and counting - since its inception. See Appendix G or the Cospas-Sarsat website for more information about the system at [www.cospas-sarsat.org](http://www.cospas-sarsat.org).

When a 406 MHz beacon is activated, the digital distress message is sent to Cospas-Sarsat satellites and, in turn, the distress message is relayed to SAR. The distress message contains important information about the beacon and its owner. Additional information about the beacon is accessed by SAR from the beacon registration database. At the same time the 406 MHz signal is activated, a 121.5 MHz signal is turned on. The 121.5 MHz signal is used by SAR to home in on the beacon as they approach it.

The 406 MHz signal is detected by multiple satellites and from that information the location of the beacon can be calculated. This data alone is sufficient for SAR to find persons or ships in distress in a reasonable timeframe. However, as a further enhancement, some beacons have a GPS engine onboard. This feature allows the beacon to acquire current location coordinates from an internal GPS receiver. The coordinates are added to the ID of the unit, which is transmitted with the 406 signal. This enables the SAR authorities to locate the beacon to an accuracy of 110 yards (100 m).

## 2. Anatomy of your beacon

**NOTE:** When unpacking your beacon, it is recommended that you save the original packaging for re-use when shipping the beacon for battery replacement in the future.



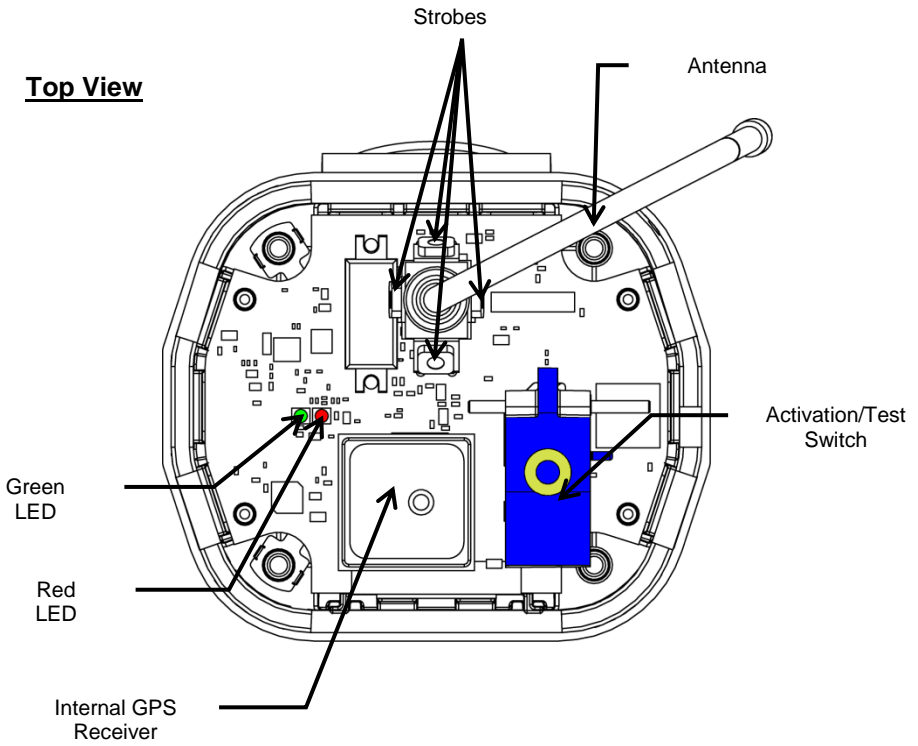
### **// Activation switch with Witness Tab**

The activation switch embodies a special, patented method of activating a beacon. Refer to a subsequent section of this manual for how to activate the beacon.

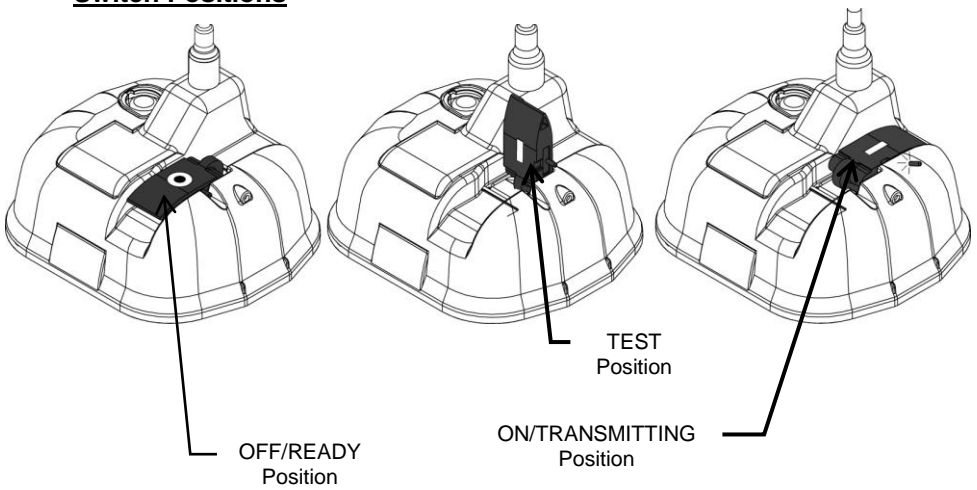
### **// Internal GPS engine**

The internal GPS engine is located where it can most readily get a clear view of the sky.

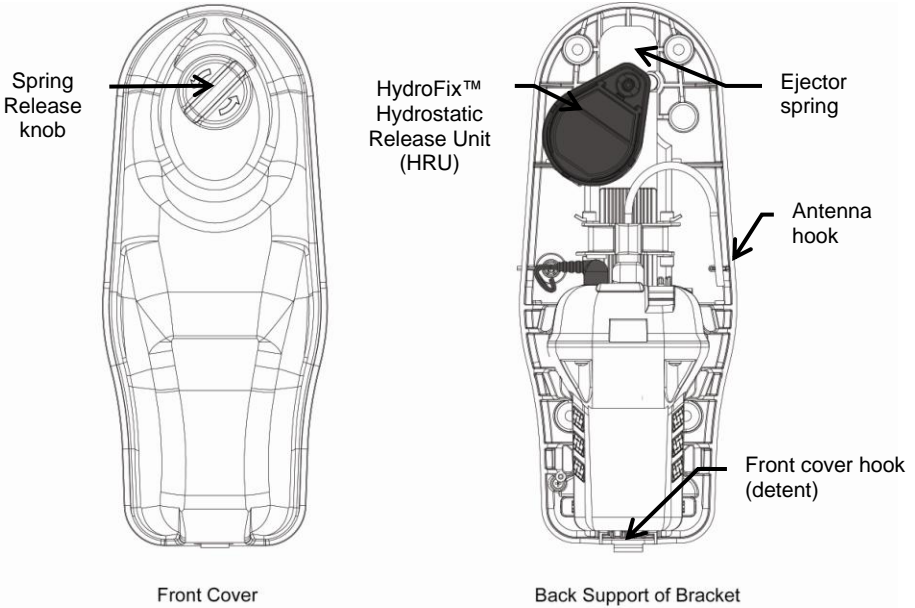




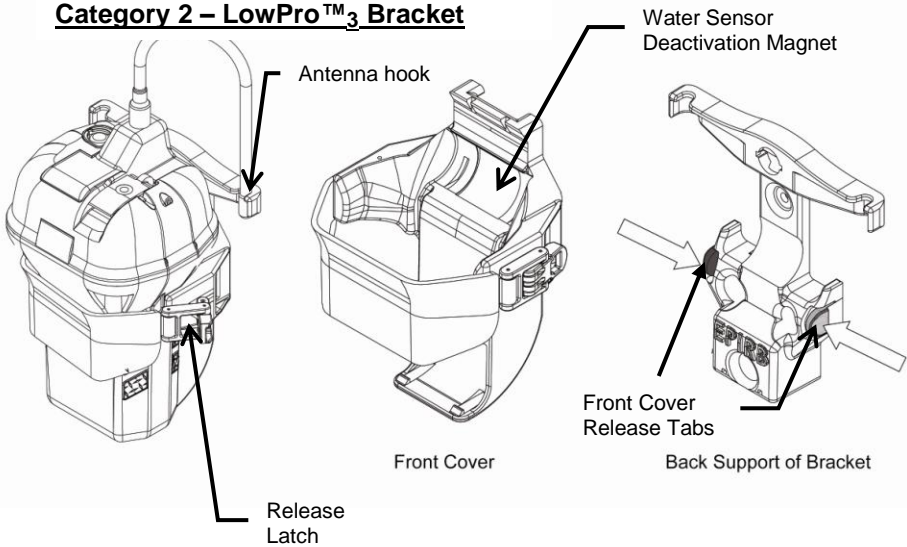
**Switch Positions**



## Category 1 – SeaShelter™<sub>3</sub> Bracket



## Category 2 – LowPro™<sub>3</sub> Bracket



### 3. Activating your beacon



**WARNING:** This transmitter is authorized for use only during situations of grave and imminent danger. Deliberate misuse may incur a severe penalty.

#### Overview

Category I beacons are designed to be automatically deployed and activated in the event of a sinking vessel. The beacon may also be hand held on the deck of vessels, or floated in water and attached to a raft or life vest with the lanyard provided.

Category II beacons are designed to be manually deployed from the bracket.

Two conditions must be met for a Category II beacon to automatically activate:

- // It must be out of its bracket
- // It must be wet

**NOTE:** Either condition by itself will not automatically activate the beacon.

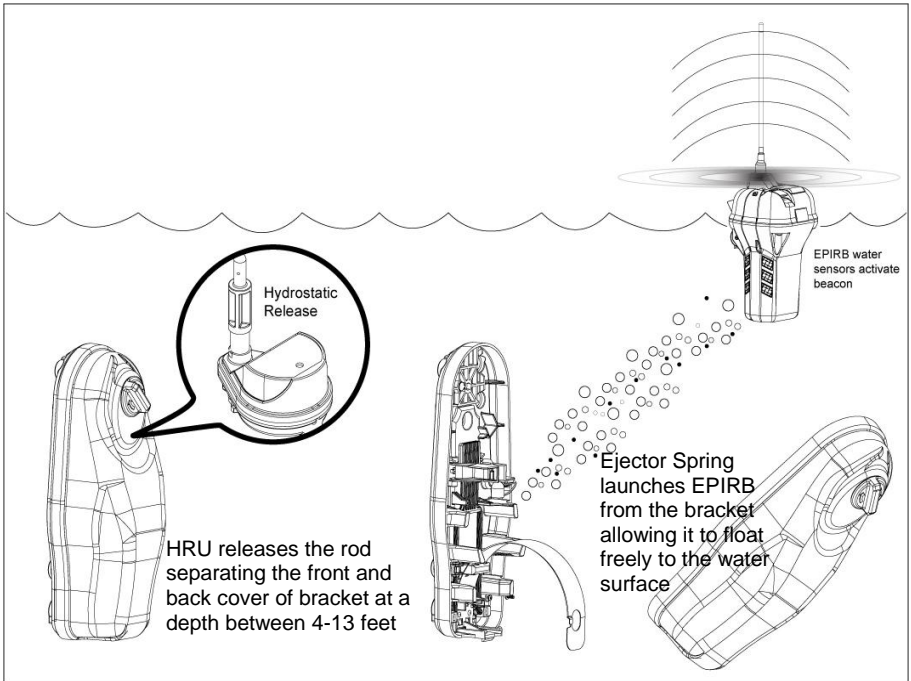
Category I and II beacons can always be manually activated in or out of their bracket.

The beacon and bracket are designed to allow the user to perform periodic testing while the beacon is in its bracket.

## Category I beacons-Automatic deployment and activation

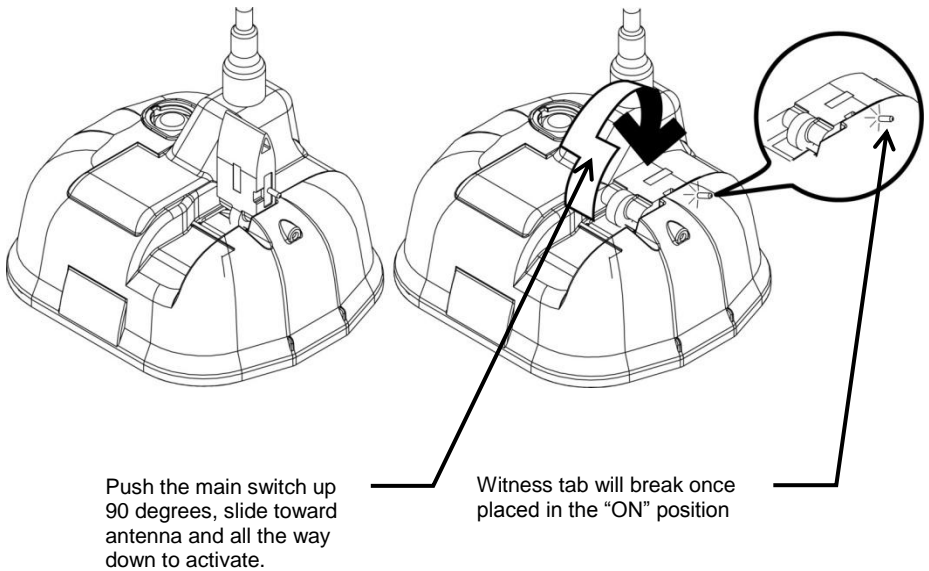
If the vessel sinks, the HydroFix™ HRU frees the beacon from the bracket, allowing it to float to the surface. Built-in sensors detect that the beacon is no longer in its bracket and when continuity is created by water between two of the top cap screws, an activation circuit is completed.

**NOTE:** Transmission of the 121.5 MHz and 406 MHz signals will not occur until 100 seconds after activation.



### Category I and II Beacons-Manual Activation Without Deployment

The beacon can be manually activated while still in its bracket by placing the Activation Switch in the ON position. Activation by this method overrides all sensors and turns the beacon “ON.”



### Category I and II Beacons-Manual deployment and activation

Both Category I and II beacons can be manually deployed by removing the beacon from the bracket.

Once removed, the beacon can be activated by placing it in water OR by lifting the Activation Switch to a vertical position, sliding it toward the antenna and pushing down to the opposite side of the beacon. Activating the beacon in this manner breaks off the Activation Witness Tab and allows the switch to properly seat, showing the “■” symbol (ON).

A Category I or II beacon MANUALLY activates with the following sequence:

- 1.) Remove the beacon from its bracket
- 2.) Activation method one: Place beacon in water
- 3.) Activation method two:
  - // Lift the switch to a vertical position
  - // Slide the switch toward the antenna
  - // Push the switch down to the opposite side of the beacon (see illustration above)

NOTE: Category I and Category II beacons can be activated regardless of whether they are removed from the bracket

## **TIPS FOR OPTIMUM DEPLOYMENT OF AN ACTIVATED BEACON:**

### **When activating and deploying your beacon in an emergency, DO NOT:**

- // Hold or clutch the beacon or antenna
- // Operate the beacon while hand held, if at all possible
- // Turn the beacon off for any reason, including to save power
- // Activate the beacon if you have any other means of self rescue
- // Operate the beacon inside a life raft or under any other canopy or cover
- // Tether the beacon to the bracket or vessel

### **When activating and deploying your beacon in an emergency, DO:**

- // Follow the steps to activate the beacon as described on the beacon or in this manual
- // Give clear view to the sky for best GPS performance
- // Take the EPIRB with you if abandoning ship, provided there is time to get it
- // Tether beacon, using the lanyard, to the life raft and let the beacon float (if in a life raft)
- // Keep EPIRB upright for best signal transmission, either by floating it, resting it or holding it in this position
- // Manually activate the beacon if it has not been automatically activated

## **4. Turning off the beacon**

If your beacon was manually activated and you wish to deactivate, return the thumb switch to the “OFF” position. If automatically activated and you wish to deactivate, remove the beacon from the water and dry the unit or place the beacon back into the release bracket. The beacon normally takes up to 12 seconds to deactivate.

If deactivation should fail, remove the four screws holding the unit together and unplug the battery to disable the unit. Return the beacon to ACR Electronics for service.

## **5. False alarms**

To prevent false alarms, it is important to be aware of how your beacon can be activated. An ACR 406 MHz EPIRB can be activated by two different methods. Whether you have a Category I or Category II, these methods are the same.

- // When the beacon is out of its bracket and wet, the unit will start transmitting
- // When the switch is moved to the “ON” position, in or out of the bracket, the unit will start transmitting

### Precautions to prevent false alarms

- // Do not mount or transport the beacon within 4.6ft/1.4m of a magnetic source.
- // Do not store the beacon outside of its bracket.
- // Do not mount the EPIRB backwards in its bracket (lanyard roll must face in).
- // Do not clean the beacon with a water hose and brush while out of its bracket.

### Reporting

Should there be, for any reason, an inadvertent activation or false alarm, it **must** be reported to the nearest search and rescue authorities. The information that should be reported includes:

- // The EPIRB 15-digit Unique Identifier Number (UIN)
- // Time and date
- // Duration and cause of activation
- // Location of beacon at the time of activation

**To report false alarms in the United States**, contact any of the following:

<b>US Region</b>	<b>Telephone Number</b>
Atlantic Ocean / Gulf of Mexico USCG Atlantic Area Command Center	(757) 398-6390
Pacific Ocean Area / USCG Area Command Center	(510) 437-3700
USCG HQ Command Center	(800) 323-7233

**To report false alarms outside of the USA**, contact the national authority where your beacon is registered.

# STEP THREE - INSTALLING THE BEACON

## 1. Marking battery and Hydrostatic Release Unit expiration dates

**NOTE:** It is the beacon owner's responsibility to record the expiration dates for both the beacon battery and the HydroFix™ hydrostatic release unit. This information must appear on the product itself.

The left side of the battery housing indicates the battery expiry date. Space is provided for the beacon owner to mark the date the beacon was placed into service. The beacon should be serviced 5 years from the installation date but no later than the battery expiry date.

The ACR HydroFix™ HRU has an expiration date of 2 years **from the date of installation** or 4 years **from the date manufactured**, whichever comes first. Upon installing your beacon or new HRU, **permanently scratch the new expiration date on the HRU date calendar** as seen below.

Model: HRU-100                      Part No. 9490  
Patent No. 7,435,148

Expiry Date / Gebrauchszeit / Validate / Validita

2011		2012		2013	
JAN 1	FEB 2	MAR 3	APR 4	MAY 5	JUN 6
JUL 7	AUG 8	SEP 9	OCT 10	NOV 11	DEC 12

DISPOSE AFTER TWO YEARS FROM INSTALL DATE  
OR 4 YEARS FROM DATE MANUFACTURED

### Date of Installation Example:

Date of installation of New HRU or First Installation of EPIRB including new HRU: **August 1, 2009.**

This unit will need to be replaced in **August of 2011.** Scratch off "AUG 8" and "2011" on the HRU date calendar

### Date of Manufacture Example:

On the bottom of the HRU a date of manufacture is pin stamped: **0808.**

This unit will need to be replaced in **August 2012.** Scratch off "AUG 8" and "2012" on the HRU date calendar

## 2. Mounting location

The selection of a mounting location will vary from vessel to vessel. Beacons should be protected from outside influences while being readily accessible at all times in the event of an emergency.

The location selected must be sufficiently rigid to support the weight of the total installation.

Hazards to avoid when selecting a mounting location:

- // Vibration
- // Exposure to the elements
- // Possibility of impact from hatches, gear, or personnel
- // Harmful vapors
- // Exhaust
- // Harsh chemicals
- // Locations that can be obscured by foreign articles on a temporary or permanent basis.





**CAUTION:** Category I brackets must be mounted free from obstruction to allow the beacon to automatically float free from the vessel in case of sinking. The SeaShelter<sub>3</sub><sup>™</sup> can be mounted on a vertical surface with the beacon antenna pointing skyward or a horizontal surface with the beacon face up. Avoid mounting locations that subject the bracket to breaking waves. Avoid structures like dodgers or cabin tops that could trap the beacon upon deployment.



**CAUTION:** Category II brackets must be mounted in a protected location that is easily accessible should it be necessary to abandon ship. The LowPro<sub>3</sub><sup>™</sup> can be mounted on a vertical surface with the beacon antenna pointing skyward or a horizontal surface with the beacon face up. Avoid mounting locations that subject the bracket to breaking waves. Avoid mounting locations that do not provide protection from harmful UV rays of the sun. The bracket must be mounted facing inboard to avoid being lost overboard due to impacts of breaking waves, personnel or loose gear.

Visually inspect the area surrounding the mounting bracket installation site for hidden hazards or obstacles that may have been overlooked during the location selection. If there is any doubt as to the ready accessibility to the beacon at all times or if any condition may appear to be questionable, conduct a complete and thorough investigation before final approval of the installation.

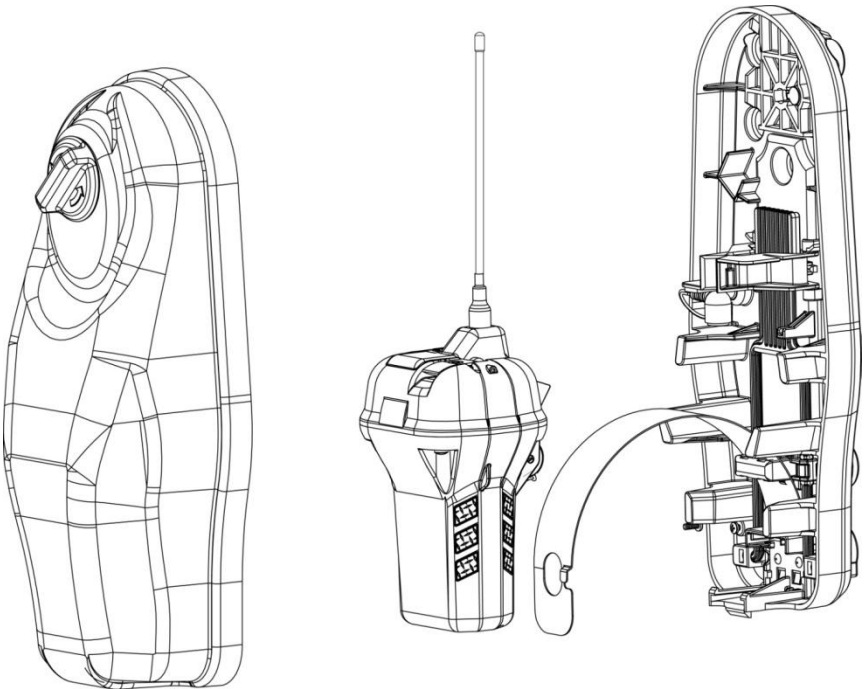
**NOTE:** When selecting the beacon bracket location, be sure to consider the requirement for four screw holes to secure the bracket.



**CAUTION:** Keep this beacon a safe distance away from all magnetic sources. Magnet safe distance is 4.6ft or 1.4m, including the distance from stereo speakers.

### 3. Category I bracket

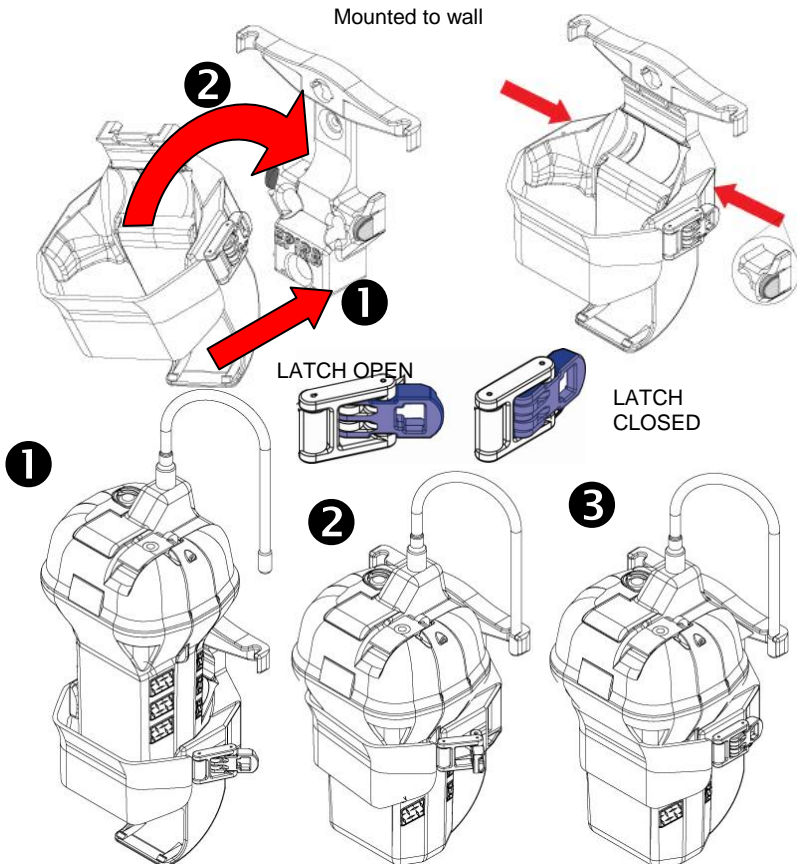
The SeaShelter<sub>3</sub><sup>TM</sup> Category I bracket has five pre-drilled screw holes to use for securing the bracket to a flat surface. Remove the SeaShelter<sub>3</sub><sup>TM</sup> lid by turning the spring loaded knob on the lid 1/4 turn counterclockwise and pull. The lid will lift away from the top of the base and disengage at the bottom of the base. The lid is tethered to the base to help prevent loss. Pull the beacon with steady pressure from the bracket. It is not necessary to remove the HydroFix<sup>TM</sup> Hydrostatic Release Unit (HRU) to mount the bracket using four of the holes. For extreme conditions a fifth hole is available when the HydroFix is removed and the ejector spring is deployed. The bracket can be held in place to mark the placement of the screw holes or you can use the mounting template provided. The use of #10 pan head stainless steel fasteners (minimum of 1/2" long) and 1/2" washers (not included) is recommended. Make sure that fasteners will not contact any wires or plumbing before drilling pilot holes.



#### 4. Category II bracket

Category II brackets are designed to hold the beacon securely in place. The beacon must be manually deployed. The bracket can be mounted on a vertical flat surface with beacon antenna up or on a horizontal flat surface facing skyward. This location must be easily accessible in order to manually deploy the beacon or to perform the required maintenance and functionality tests. Typical locations include near the helm station or just inside the companionway door.

The LowPro<sub>3</sub><sup>™</sup> Category II bracket has four pre-drilled screw holes to use for securing the bracket to a flat surface. Remove the beacon from the bracket. To do this while holding the assembly, lift the latch to release bracket pressure from the beacon. The beacon will slide up and out of the bracket. On either side of the bracket are release tabs. Simultaneously depress each tab to separate the bracket from the mounting block. The mounting block can be held in place to mark the placement of the screw holes or you can use the mounting template provided. The use of #8 pan head stainless steel fasteners and washers (not included) is recommended. Be sure to confirm that fasteners will not contact any wires or plumbing before drilling pilot holes.



## STEP FOUR - MAINTAINING THE BEACON

### 1. Safety DOs and DON'Ts

**On a routine basis aboard ship, DO NOT:**

- // Hold or carry the beacon by its antenna
- // Mount the beacon in its bracket close to large structures or magnetic areas
- // Tie the lanyard to the EPIRB bracket or any other structure
- // Obscure the beacon by placing objects in front of it

**On a routine basis aboard ship, DO:**

- // Mount the beacon in its bracket in an obvious location, so that all can see it
- // Mount the beacon in its bracket with the rolled lanyard facing inward (facing the bracket)
- // Follow the recommended maintenance schedule
- // Perform a beacon Self-Test monthly
- // Follow up with beacon service if Self-Test fails

### 2. Routine beacon maintenance

At least every ninety days, the float free mounting bracket and beacon should be inspected for deterioration and/or residue buildup that may affect the function of the beacon or automatic release. Part of the visual check includes checking the antenna for tightness. Clean the beacon and the mounting bracket to remove any residue buildups. It is recommended that the beacon and mounting bracket be wiped with a damp cloth.

Carefully inspect the beacon case for any visible cracks. Cracks may admit moisture, which could falsely activate the beacon or otherwise cause a malfunction. Any cracks observed should immediately be referred to ACR Service for evaluation. Call ACR Electronics Technical Service +1 (954) 981-3333.

### 3. Battery replacement

Battery replacement is due 5 years from date after the beacon placed into service, or by expiry date on the beacon whichever is first. During each inspection, check the time remaining until battery replacement is required. The battery must also be replaced if the beacon has been activated for any use other than the Self-Test.

Always refer battery replacement and any other beacon service to a factory authorized Service Center. Find a Center near you at <http://www.acrelectronics.com/brc.htm>. Battery replacement includes servicing the beacon by replacing all o-rings, testing the water seal and the electrical properties and doing a full functional test on the unit.

**NOTE:** There are no user serviceable items inside the beacon. Do not open the beacon except to disable (in case of faulty or accidental activation). Otherwise, always have the beacon serviced.



**WARNING: Battery contains lithium**

To avoid possible fire, explosion, leakage or burn hazard, do not open, recharge, disassemble or heat beacon above +70°C (+158°F) or incinerate.

These products contain lithium in the battery. Various beacons may or may not require special shipping instructions due to the lithium batteries and changes in shipping regulations. Shipping of hazardous materials requires special handling and documentation. MSDS sheets, along with shipping information, can be found on our website at <http://www.acrelectronics.com/hazmat/default.htm>.

In the case of the RLB-37, the product contains small batteries that are non-hazardous. However, regulations can change. Be advised that it is best to verify the shipping requirements at the time you are preparing to ship the unit.

#### **4. Shore based maintenance for SOLAS vessels, (SBM) IMO MSC/Circ. 1039**

The Maritime Safety Committee has approved guidelines for shore-based maintenance of satellite beacons, for the purpose of establishing standardized procedures and minimum levels of service for the testing and maintenance of satellite beacons. The first shore based maintenance on all ACR EPIRBs is due at the date of the first battery replacement. Visit ACR's website at [www.acrelectronics.com](http://www.acrelectronics.com) for organizations that perform shore based maintenance.

#### **5. Annual testing for SOLAS vessels, IMO MSC/Circ. 1040**

SOLAS regulation IV/15.9 dictates annual testing of 406 MHz satellite EPIRBs. Testing should be carried out using suitable test equipment capable of performing the relevant measurements. All checks of electrical parameters should be performed in the self-test mode, if possible. These tests can be performed by certified ACR Battery Replacement Centers (BRCs). Visit ACR's website at [www.acrelectronics.com](http://www.acrelectronics.com) for authorized ACR BRCs.

## 6. Changing ownership or contact information

As the owner of the beacon, it is your responsibility to advise the national authority of any change in the information on the registration form. If you are transferring the beacon to a new owner, you are required to inform the national authority. You can do this by using their online database or by letter, fax or telephone and informing the authority of the name and address of the new owner.

The new owner of the beacon is required to provide the national authority with all of the information requested on the registration form. This obligation transfers to all subsequent owners. Registration forms for the United States are available from NOAA by calling (888) 212-7283 (212-SAVE) or by visiting the ACR website at [www.acrelectronics.com](http://www.acrelectronics.com). Outside of the United States, the new owner may contact his local authority for the necessary form(s).

## 7. Lost or stolen EPIRBs

**If your EPIRB is lost or stolen, do the following immediately:**

- // Report to your local authorities that the EPIRB has been lost or stolen
- // Contact NOAA at (888) 212-7283 (212-SAVE), or your national authority, with the following information:
  - Police department name
  - Police department phone number
  - Police case number

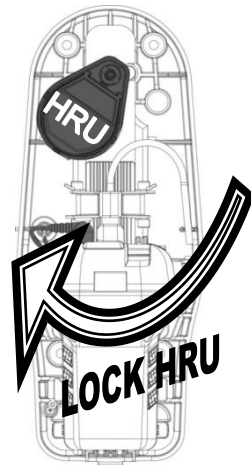
If your EPIRB were to be activated, the information you provided will be forwarded to the appropriate search and rescue authorities who will ensure that your EPIRB gets back to you. If someone attempts to register an EPIRB reported as stolen, NOAA or your national authority will notify the appropriate police department. Visit [www.cospas-sarsat.org](http://www.cospas-sarsat.org) for more detailed information.

## 8. Servicing the SeaShelter<sub>3</sub><sup>™</sup> and the HydroFix<sup>™</sup> HRU

The SeaShelter<sub>3</sub><sup>™</sup> Category I bracket has two main pieces, the lid and the base. To open the bracket, turn the spring loaded knob counterclockwise 1/4 of a turn and pull. The lid will lift away from the top of the base and disengage from the detent at the bottom of the base. The lid is tethered to the base to help prevent loss.

Brackets are a key part of the overall beacon system. They hold a beacon ready for deployment while preventing false alarms. Category I brackets also require replacement of the Hydrostatic Release Unit every two years.

**NOTE:** Whenever a beacon is returned for service, it must be accompanied by the bracket.



### To remove the expired HRU

When opening the SeaShelter<sub>3</sub><sup>™</sup> lid, note that the beacon is installed with the lanyard face in. Pull the beacon with steady pressure from the bracket. Do not get beacon wet while out of bracket. The HRU has a keying feature that locks it to the bracket. If you view the HRU rod as the center of a clock, a properly installed HRU will rest at the 7 o'clock position, as shown in the picture above.



**WARNING:** The HRU holds down an ejection spring. The spring must be held in place during the removal and installation of the HydroFix<sup>™</sup> to prevent injury.

Depress the top of the ejection spring. This will relieve pressure on the HRU and allow it to be rotated counter clockwise to the 5 o'clock position. The HRU is now free to be removed. Slowly relieve pressure from the ejection spring and allow it to deploy.



**WARNING:** Discard the expired HRU. Failure to replace the entire assembly may cause the bracket to malfunction.



**WARNING:** Be sure to use only ACR's HydroFix<sup>™</sup> HRU (ACR P/N 9490) in the SeaShelter<sub>3</sub><sup>™</sup>. Use of unauthorized replacement parts will void your warranty and may cause the bracket to malfunction.

Check the date of manufacture on the new HRU. Follow the instructions that accompany the HydroFix<sup>™</sup> for marking the next expiry date and for selecting the correct rod adapter for the SeaShelter<sub>3</sub><sup>™</sup>.

### To install the new HRU

Apply pressure to the ejection spring and hold it flat against the bracket. With your free hand place the new HRU into the key way in the 5 o'clock position and rotate clockwise to the 7 o'clock position. Slowly remove pressure from the ejection spring. The HRU should now be held in the 7 o'clock position with the pressure on the ejection spring.

Reinstall the beacon with lanyard face in. Beacon should fit snugly in the bracket with the antenna captured by the bracket. Reinstall the lid by seating the bottom of the lid to the detent on the base. Close the upper portion of the lid so the HRU rod lines up with the spring loaded knob. With gentle pressure, hold the lid while you turn the lock counterclockwise until it stops, then clockwise until it stops. This should capture the HRU and snap the lid into a locked position. Confirm that the lid is attached to the bottom of the bracket and the HRU.



**CAUTION:** Do not force the lid closed. If the lid does not close easily, check to see that the beacon is properly installed in the bracket and the HydroFix<sup>™</sup> is properly seated.

## 9. Servicing the LowPro<sub>3</sub><sup>™</sup>

To remove a beacon from the Category II bracket, lift the latch and release the pressure from the beacon. The beacon will now be able to slide upwards out of the bracket.

It is not anticipated that the LowPro<sub>3</sub><sup>™</sup> will require servicing other than cleaning or, rarely, replacement.

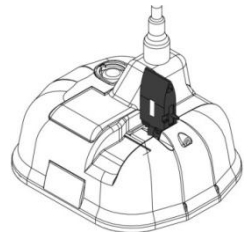
Brackets are a key part of the overall beacon system. They hold a beacon ready for deployment while preventing false alarms.

**NOTE:** Whenever a beacon is returned for service, it must be accompanied by the bracket.

## 10. Self-Testing the beacon

The RLB-37 beacon may be self-tested as is warranted, up to a maximum of sixty times in the five-year life of the battery, or once per month for the life of the battery. Self-Tests can be performed randomly. However, ACR recommends that you perform the Self-Test on a once per month schedule. Do not exceed sixty (60) Self-Test cycles limit in the five-year life of the battery, to conserve the battery for emergency use.

The functional Self-Test is initiated by momentarily lifting the Activation Switch to a vertical position and holding it in this position for at least one second and at most four seconds. A beep indicates the initiation of the Self-Test sequence. Self-Test will check battery capacity and perform five functional test sequences as described in the digital display Appendix.



The last green LED indicates a successful test. If any of the individual tests fail during Self-Test, there will be two beeps and a red LED flash at the end of the Self-Test. Self-Test will discontinue at that point.

**NOTE:** The “beeps” are a very high-pitched tone that some people may not be able to hear. When performing the Self-Test, you may follow the messages on the digital display or you may count the green LED flashes.



## **11. Extended GPS test**

The beacon may be tested for GPS functionality, however, this may only be done once in the five-year lifetime of the battery due to the significant drain on the battery. This test is not necessary at any time in the life of the beacon, but is made available in the event that the beacon owner wishes to verify internal GPS engine viability.

An extended GPS test may be invoked by holding the switch in test position for 10 seconds after Self-Test completes. A long beep indicates the start of the extended GPS test and the internal GPS begins to acquire coordinates data. Once the data is acquired, another long beep and a green LED can be observed.

# APPENDIX A - USING AND TESTING THE GPS SYSTEMS

## 1. Internal GPS position system

The GlobalFix™ PRO is fitted with an internal GPS receiver that will determine the coordinates (latitude and longitude) of the beacon's position on the globe, to be transmitted to the Cospas-Sarsat emergency system.

When the beacon is turned on, the internal GPS is immediately turned on and it attempts to acquire positional coordinates. GPS coordinates can be acquired any time that the GPS is on, but only valid data is saved. Once the beacon acquires valid coordinates, the data is included as part of the next transmitted 406 MHz digital message.

The internal GPS operates on a schedule during which the beacon is on for a time, actively acquiring coordinates, and off for a time, in a resting state. The schedule is designed to conserve battery but, at the same time, assure that navigational coordinates are regularly updated.

## 2. LED indication of GPS fix

When the beacon is activated and valid coordinates are acquired, the data is included in the digital message of the next 406 MHz transmission. The LED blinks green when GPS coordinates are sent.

If a time period of 4 hours passes without the internal GPS receiver being able to update the last good set of navigational coordinates, the message transmitted by the beacon will revert back to default data. At this point the green LED will stop blinking and the red LED will flash. The internal GPS will continue to seek coordinates and when successful the green LED will flash. This new data will be transmitted in the next message burst and the green LED will continue to flash.

# APPENDIX B - THE COSPAS-SARSAT SYSTEM

## 1. General overview

EPIRBs transmit to the satellite portion of the Cospas-Sarsat system. Cospas-Sarast satellites are an international system that utilizes Russian Federation and United States' low altitude, near-polar orbiting satellites (LEOSAR). These satellites assist in detecting and locating activated 406 MHz satellite beacons.

Cospas-Sarsat satellites receive distress signals from EPIRBs transmitting on the frequency of 406 MHz. The Cospas-Sarsat 406 MHz beacon signal consists of a transmission of non-modulated carriers followed by a digital message format that provides identification data. The 406 MHz system uses satellite-borne equipment to measure and store the Doppler-shifted frequency along with the beacon's digital data message and time of measurement. This information is transmitted in real time to an earth station called the Local User Terminal (LUT), which may be within the view of the satellite, as well as being stored for later transmission to other LUTs.



The LUT processes the Doppler-shifted signal from the LEOSAR and determines the location of the beacon, then the LUT relays the position of the distress to a Mission Control Center (MCC) where the distress alert and location information is immediately forwarded to an appropriate Rescue Coordination Center (RCC). The RCC dispatches Search and Rescue (SAR) forces.

The addition of the GEOSAR satellite system greatly improves the reaction time for a SAR event. This satellite system has no Doppler capabilities at 406 MHz, but will relay the distress alert to any of the LUT stations. When there is GPS data included in the distress message, SAR authorities instantly know your location to within 110 yards (100 m). This speeds up the reaction time by not having to wait for one of the LEOSAR satellite to pass overhead. Because most of the search and rescue forces presently are not equipped to home in on the 406 MHz Satellite beacons signal, homing must be accomplished at 121.5 MHz.

Once the 406 MHz signal is relayed through the LEOSAR and/or GEOSAR network, SAR forces determine who is closest, and then proceed to the beacon using the 121.5 MHz homing frequency.

## 2. Global Positioning System (GPS)

The GPS system is a satellite group that enables a GPS receiver to determine its exact position to within 30 m (100 ft.) anywhere on earth. With a minimum of 24 GPS satellites orbiting the earth at an altitude of approximately 11,000 miles they provide users with accurate information on position, velocity, and time anywhere in the world and in all weather conditions. The GlobalFix™ iPRO stores this data to its distress transmission, allowing search and rescue forces to narrow the search to a very small area, thus minimizing the resources required, and dramatically increasing the effectiveness of the overall operation.



# APPENDIX C - TECHNICAL SPECIFICATIONS

<b>GENERAL/ ENVIRONMENTAL</b>	
Beacon size (without antenna)	17.7 H X 10.67 W X 9.09 D cm (6.97 X 4.2 X 3.58 in)
Beacon weight	581 g (20.49 oz)
Beacon material	High impact UV resistant polymer
Color	ACR-Treuse™ (high visibility yellow)
Waterproof	Tested to 10 min @ 10 m (33 ft), exceeds RTCM standard
Buoyant	Yes
Deployment	Category I: Automatic hydrostatic release Category II: Manual
<b>BATTERY</b>	
Operational life	48 hours minimum @ -20°C (-4°F) (Class 2)
Battery type and replacement interval	LiMnO <sub>2</sub> 5 years from date beacon placed in service, or after use in an emergency not to exceed battery expiry
Operating temperatures	-20° C to +55° C (-4° F to +131° F) (Class 2)
Storage temperatures	-30° C to +70° C (-22° F to +158° F) (Class 2)
<b>406 MHz TRANSMITTER</b>	
Frequency	406.037 MHz
Power output	5 W
Digital message format	Standard location protocol (for the USA; Beacon can be reprogrammed at a service center to other coded formats, and to national location protocol)
<b>121.5 MHz TRANSMITTER</b>	
Frequency	121.5 MHz
Power output	25 mW PEP
Modulation type	AM (3K20A3X)
<b>LED STROBE</b>	
Light color	White
Output power	1 cd (effective candela)
Flash rate	20-30/ min
Range	360° visibility
<b>GENERAL</b>	
Accessories	<ul style="list-style-type: none"> <li>• SeaShelter<sub>3</sub>™ Category I Mounting bracket, ACR P/N 9501</li> <li>• LowPro<sub>3</sub>™ Category II Mounting bracket, ACR P/N 9502</li> <li>• HydroFix™ universal hydrostatic release (HRU) kit, ACR P/N 9490</li> </ul>
Approvals	<ul style="list-style-type: none"> <li>• FCC ID #B66ACR-RLB36</li> <li>• COSPAS-SARSAT certificate #189</li> </ul>
NOTE: For complete information regarding beacon type approvals, please visit ACR's website at <a href="http://www.acrelectronics.com">www.acrelectronics.com</a>	

# APPENDIX D - WARRANTY, USEFUL LIFE POLICY, NOTICES

## 1. Limited Warranty

This product is warranted against factory defects in material and workmanship for a period of 1 (one) year\* from date of purchase or receipt as a gift. During the warranty period ACR Electronics, Inc. will repair or, at its option, replace the unit at no cost to you for labor, materials and return transportation from ACR. For further assistance, please contact our Technical Service Department at ACR Electronics, Inc., 5757 Ravenswood Road, Fort Lauderdale, FL 33312-6645. Email: [service@acrelectronics.com](mailto:service@acrelectronics.com), Fax: +1 (954) 983-5087, Telephone: +1 (954) 981-3333.

This warranty does not apply if the product has been damaged by accident or misuse, or as a result of service or modification performed by an unauthorized factory. Except as otherwise expressly stated in the previous paragraph, THE COMPANY MAKES NO REPRESENTATION OR WARRANTY OF ANY KIND, EXPRESS OR IMPLIED, AS TO MERCHANTABILITY, FITNESS FOR A PARTICULAR PURPOSE, OR ANY OTHER MATTER WITH RESPECT TO THIS PRODUCT. The Company shall not be liable for consequential or special damages.

To place the warranty in effect, register online at [www.acrelectronics.com](http://www.acrelectronics.com) or return the attached card within 10 days.

\*Five years for the following products: EPIRB, PLB, S-VDR, SSAS.

## 2. Useful Life Policy

The typical service life of a properly maintained Product is limited to 12 years from date of manufacture. Products that are 12 years and 1 month or older from date of manufacture will not be serviced by ACR or our Battery Replacement Centers. A Product that is 12 or less years old from date of manufacture will be serviced as long as the unit appears fit to be placed back into its final operational cycle. Service includes the replacement of those items that must be replaced at service intervals and the verification that the device appears to be in good mechanical and electrical working condition by an ACR authorized service technician.

## 3. Notices

---

ACR Electronics diligently works to provide a high quality Product Support Manual, however, despite best efforts, information is subject to change without notice, and omissions and inaccuracies are possible. ACR cannot accept liability for manual contents. To ensure that you have the most recent version of the Product Support Manual, please visit the ACR website at [www.acrelectronics.com](http://www.acrelectronics.com).

---

©2009 by ACR Electronics, Inc., part of Cobham plc. All rights reserved. Reproduction in whole or in part is permitted only with permission of ACR Electronics, Inc.

---

Ongoing product improvements may change product specifications without notice.

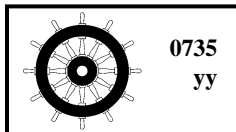
---

Trademarks or registered trademarks are the property of their respective owners.



## EC DECLARATION OF CONFORMITY

ACR Electronics hereby declares that the following product is in conformity with Council Directive 96/98/EC of 20 December 1996 on Marine Equipment (MED) last amended by Commission Directive 2009/26/EC of 6 April 2009, and has been type examined as described in this Declaration. In accordance with the Directive, the product will be marked with the MED Mark of Conformity as follows:



yy = Last two digits of the year in which the mark is affixed

**Product:** 406 MHz (COSPAS-SARSAT) Emergency Position-Indicating Radio Beacon (EPIRB)  
 MED Item A.1/5.6  
 Trade Name: GlobalFix™ PRO  
 Model: RLB-37

**Notified Body:** Bundesamt für Seeschifffahrt und Hydrographie (BSH), Notified Body No. 0735  
 Bernhard-Nocht-Str. 78, 20359 Hamburg, Germany  
 EC Type Examination (Module B) Certificate No.: BSH/4612/5061395/09  
 EC Quality System (Module D) Certificate No.: BSH/4613/05102/1251/09

<b>Regulations and Standards:</b>	IMO Resolution A.662(16)	ITU-R M.633-3 (05/04)
	IMO Resolution A.694(17)	ITU-R M.690-1 (10/95)
	IMO Resolution A.696(17)	C/S T.001 (Nov. 2007)
	IMO Resolution A.810(19)	C/S T.007 (Nov. 2007)
	IMO MSC/Circ.862	IEC 61097-2. Ed. 3.0, 2008-01
	ETSI EN 300 066 V1.3.1 (2001-01)	IEC 60945, 4 <sup>th</sup> Ed., 2002-08

<b>Manufacturer:</b>	ACR Electronics Inc. <b>European</b>	ACR Electronics Inc.
	5757 Ravenswood Road Fort Lauderdale, FL 33312 USA	<b>Representative:</b> (European Office) 1 Rose Cottages, Pitmore Lane, Sway, Lymington, Hampshire SO41 6BX UK

**Signed on behalf of ACR Electronics Inc.**

**Signed:**

**Name:** Kerry Greer **Date:** January 6, 2010

**Title:**

**Executive Director - Research & Development**

Document RLB-37-002



This Declaration complies with  
 ISO/IEC 17050-1:2004

ACR Electronics, Inc. is registered by UL to ISO 9001:2000



## INTERNATIONAL MARITIME ORGANIZATION SHORE BASED MAINTENANCE

The Maritime Safety Committee approved guidelines for shore-based maintenance (SBM) of satellite EPIRBs, for the purpose of establishing standardized procedures and minimum levels of service for the testing and maintenance of satellite EPIRBs to ensure maximum reliability whilst minimizing the risk of false distress alerts. (IMO MSC/Circ.1039)

- Products:** 406 MHz (COSPAS-SARSAT) Emergency Position-Indicating Radio Beacons (EPIRBs):
- ACR Satellite 406™ RLB-27/28 (Cat. I & Cat. II)
  - ACR Satellite<sub>2</sub>406™ RLB-32 (Cat. I & Cat. II)
  - ACR RapidFix™ RLB-33 (Cat. I & Cat. II)
  - ACR GlobalFix™ RLB-35 (Cat. I & Cat. II)
  - ACR GlobalFix™ iPRO RLB-36 (Cat. I & Cat. II)
  - ACR Float Free 406 Memory Capsule RLB-35MC (Cat. I)
  - ACR GlobalFix™ PRO RLB-37 (Cat. I & Cat. II)

**Maintenance Service Interval:** 406 MHz satellite EPIRBs should be inspected and tested annually in accordance with MSC/Circ.1040. Shore-based maintenance of all satellite EPIRBs should be carried out at intervals not exceeding 5 years. It is recommended that maintenance be performed at the time when the battery is to be changed.

All ACR 406 MHz EPIRBs shall have their first shore-based maintenance performed on the same dates as their battery replacement.

**SBM Providers:** ACR only authorizes battery replacements and shore based maintenance to be performed by certified ACR service providers.

<b>Manufacturer:</b> ACR Electronics Inc. 5757 Ravenswood Road Fort Lauderdale, FL 33312 USA	<b>European Representative:</b> ACR Electronics Inc. (European Office) 1 Rose Cottages, Pitmore Lane, Sway, Lymington, Hampshire SO41 6BX UK
---	--

Signed on behalf of ACR Electronics Inc.

Signed:   
**Name:** Kerry Greer **Date:** September 23, 2008  
**Title:** Executive Director  
Research & Development

ACR Electronics, Inc. is registered by

