



PULSAR™ 12-Volt Navigation Lights

All-Round Lights: 5940, 5980
Sidelights: 5040, 5045, 5080

Installation Instructions

SAVE THESE INSTRUCTIONS

Form Number 69379 Rev. B

03-10

FEATURES

The Attwood Pulsar Navigation Lights are designed for boats upto 39.6 ft. (12 meters). They feature impact resistant, UV-stable polycarbonate housings. The lens completely encloses the bulb and socket for a splash resistant seal. Lights meet USCG CFR 183.810, ABYC A-16 requirements, and all applicable standards as tested by Imanna Labs, March 1997. 5040, 5045, and 5080 are Sidelights with 1 Nautical Mile visibility. 5940 and 5980 are All-Round Lights with 2 Nautical Mile visibility. All use Lamp 9235, #906, 13V, 6 Candle Power.

REQUIRED FOR INSTALLATION

- Cordless drill with 1/8", 3/8", and 3/4" (3, 10, and 19mm) bits.
- Screwdriver.
- Two #8 or #10 stainless pan head screws per light.
- Non-silicone sealant.

⚠ WARNING:

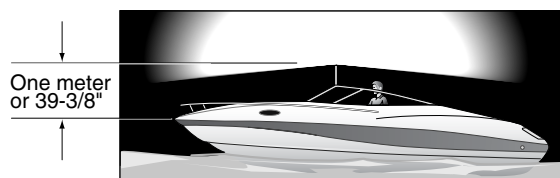
To prevent personal injury, disconnect the power source when installing or servicing this product. Always remove the boat from the water before using 120V AC power tools.

LOCATION (All-Round Lights)

All-Round Lights must be mounted a minimum of 1 meter above the sidelights, on a smooth surface where the 360° beam will not be obstructed. Light must not shine on operator or on anything in operator's field of view. (Figure 1)

Important: Before drilling mounting holes, be sure that light shines within 5° of horizontal **when the boat is floating.**

Figure 1

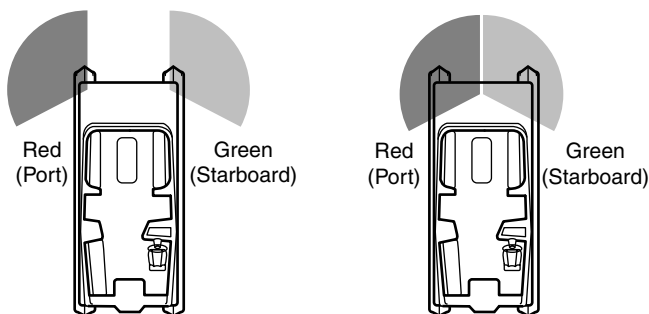


LOCATION (Sidelights)

Mount sidelights to a smooth surface on the gunwale, deck or superstructure where the light beam will not be obstructed. Position Bi-Color combination light as far forward as possible. (Figure 2)

Important: Before drilling mounting holes, be sure sidelights shine straight ahead and that they shine within 5° of horizontal **when the boat is floating.**

Figure 2



INSTALLATION, DECK MOUNT

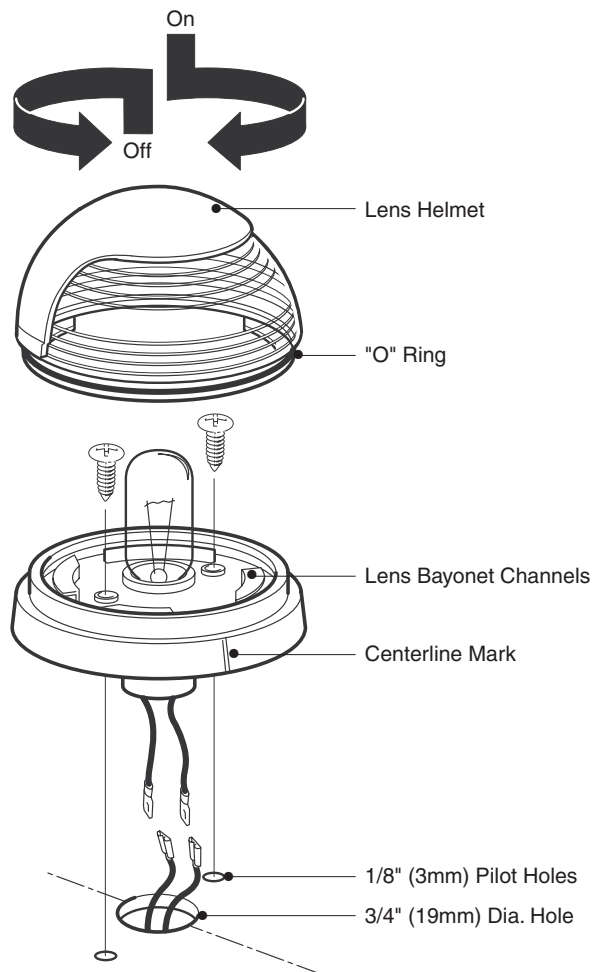
All-Round Lights

1. To access mounting holes, gently twist lens helmet counterclockwise to remove.
2. Place light in position as shown in Figure 1.
Important: Before drilling, be sure that light will shine within 5° of horizontal when boat is floating.
3. Mark and drill 3/4" (19mm) diameter hole. (Figure 3)
4. Thread wire leads and base stem into hole. Mark location of screw holes. Proceed to Step 5 below.

Bi-Color Sidelights and Sidelight Pairs

1. To access mounting holes, gently twist lens helmet counterclockwise to remove.
2. Place sidelight(s) in position as shown in Figure 2.
Important: Before drilling, be sure that sidelights will shine straight ahead and within 5° of horizontal when boat is floating.
3. For Bi-Color Combination light, mark and drill a 3/4" (19mm) diameter hole on the boat centerline. For Sidelight Pairs, mark and drill a 3/4" (19mm) diameter hole on each side deck of the boat, equal distance from the bow. (Figure 3)
4. Thread wire leads and base stem into hole. Align centerline mark with straight-ahead position and mark location of screw holes.
5. Remove base and drill 1/8" (3mm) pilot holes for both screws.
6. Bring 12V DC (+) and (-) wires up through deck hole. Connect wires using waterproof crimp on butt joint connectors.
7. Activate light to verify proper operation.
8. Apply a thin bead of non-silicone sealant into groove on underside of base to prevent water from entering hull or cabin. Do not allow sealant to enter the lens bayonet channels.
9. Align and fasten base with stainless screws. Do not over tighten.
10. Replace lens helmet flush on base and turn clockwise until click is heard and felt. (Figure 3)

Figure 3



INSTALLATION, RAISED BASE MOUNT

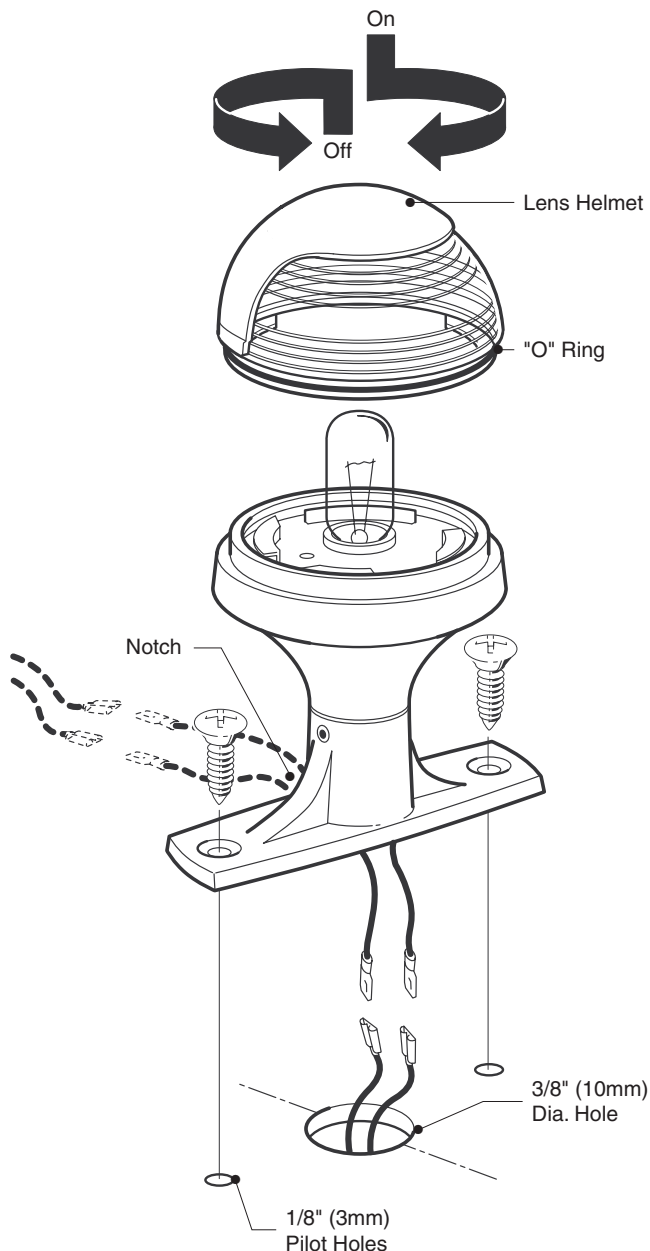
All-Round Lights

1. Place light in position as shown in Figure 1.
- Important:** Before drilling, be sure that light will shine within 5° of horizontal when boat is floating.
2. Mark and drill 3/8" (10mm) diameter hole (Figure 4; Sidelight lens is shown).
3. Thread wire leads and base stem into hole. Mark location of screw holes. Proceed to Step 4 below.

Bi-Color Sidelights and Sidelight Pairs

1. Place sidelight(s) in position as shown in Figure 2.
- Important:** Before drilling, be sure that sidelights will shine straight ahead and within 5° of horizontal when boat is floating.
2. For Bi-Color Combination light, mark and drill 3/8" (10mm) diameter hole on the boat centerline. For Sidelight Pairs, mark and drill 3/8" (10mm) diameter hole on each side deck of the boat, equal distance from the bow. (Figure 4)
3. Thread wire leads and base stem into hole. Align lens division with straight-ahead position and mark location of screw holes.
4. Remove base and drill 1/8" (3mm) pilot holes for both screws.
5. Bring 12V DC (+) and (-) wires up through deck hole. Connect wires using waterproof crimp on butt joint connectors.
6. Activate light to verify proper operation.
7. Apply non-silicone sealant to underside of base.
8. Align and fasten base with stainless screws. Do not over tighten. (Figure 4)

Figure 4



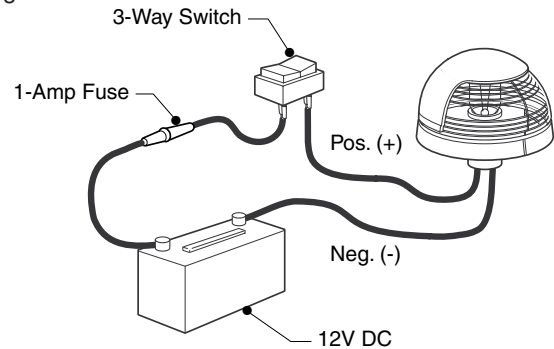
FINAL WIRING

CAUTION:

Power source must be positive 12V DC only. All positive (+12V DC) wires must be fused to protect the circuit. Attwood Pulsar Navigation Lights require a 1-amp fuse. Failure to make proper connections and fusing will void product warranty.

1. Neatly thread wires to dash avoiding any areas where abrasion or snagging may occur.
2. Use waterproof crimp on butt joint connectors to attach wires to a switch on the dash that allows for two-position operation - one for running lights and one for anchor lights. Test lights for proper operation. (Figure 5)

Figure 5



MAINTENANCE

For cleaning or to replace bulb, gently twist lens helmet counter clock-wise to remove. Replace with standard #906 lamp, Attwood #9235. Check "O"-ring for cracks and insure that it is properly positioned on lens. Replace lens helmet on base and turn clockwise until click is heard and felt.

ATTWOOD LIMITED WARRANTY

ATTWOOD CORPORATION, 1016 North Monroe, Lowell, Michigan 49331 ("Attwood") warrants to the original consumer purchaser that Attwood brand products will be free from defects in materials and workmanship under normal use and service for one year from the date of original consumer purchases. This limited warranty is not applicable if the product has been damaged by accident, improper installation, unreasonable or improper use, lack of proper maintenance, unauthorized repairs or modifications, normal wear and tear, or other causes not arising out of defects in materials or workmanship. Attwood products are warranted for use on pleasure boats. Any other use - including but not limited to commercial, racing, or non-marine use - are not covered under this warranty. Attwood's obligation under this warranty is limited to repair of the product at Attwood's plant or replacement of the products at Attwood's option without expense to the original consumer purchaser. Any expenses involved in the removal, reinstallation or transportation of the product are not covered by this warranty. The product must be returned to Attwood's plant at the address above, postage prepaid, and insured with proof of original purchase including date. If Attwood is unable to replace the product and repair is not commercially practical or cannot be timely made, or if the original consumer purchaser is willing to accept a refund in lieu of repair or replacement, Attwood may refund the purchase price, less an amount for depreciation. The acceptance by Attwood of any product returned or any refund provided by Attwood shall not be deemed an admission that the product is defective or in violation of any warranty. Products that are replaced or for which a refund is issued become the property of Attwood.

THIS WARRANTY IS ATTWOOD'S ONLY EXPRESS WARRANTY OF THIS PRODUCT. NO IMPLIED WARRANTY SHALL EXTEND BEYOND ONE (1) YEAR FROM THE DATE OF ORIGINAL CONSUMER PURCHASE. ATTWOOD SHALL NOT BE LIABLE FOR ANY DAMAGES FOR LOSS OF USE OF THIS PRODUCT, NOR FOR ANY OTHER INCIDENTAL OR CONSEQUENTIAL DAMAGES, COSTS OR EXPENSES.

Some states do not allow limitations on how long an implied warranty lasts or the exclusion or limitation of incidental or consequential damages, so the above limitations and exclusions may not apply to you. This warranty gives you specific legal rights, and you may have other rights which vary from state to state.