

COLORADO™ 6

Snapshot

Use on Dimmer	⊘
Outdoor Use	✓
Sound Activated	⊘
DMX	✓
Master/Slave	⊘
Autoswitching Power Supply	✓
Replaceable Fuse	⊘
User Serviceable	⊘
Duty Cycle	⊘

User Manual

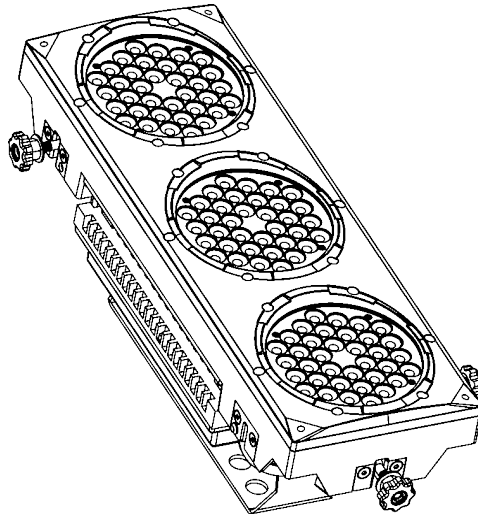


TABLE OF CONTENTS

1. BEFORE YOU BEGIN	3
WHAT IS INCLUDED.....	3
UNPACKING INSTRUCTIONS.....	3
SAFETY INSTRUCTIONS.....	4
LED EXPECTED LIFESPAN.....	4
2. INTRODUCTION	5
FEATURES.....	5
Additional Features.....	5
Options.....	5
DMX CHANNEL SUMMARY.....	6
PRODUCT OVERVIEW.....	7
3. SETUP	8
AC POWER.....	8
MOUNTING.....	9
Orientation.....	9
Rigging.....	9
STACKING.....	10
LENS ASSEMBLY INSTALLATION/REPLACEMENT.....	11
FIXTURE LINKING.....	11
Data Cabling.....	12
DMX Data Cable.....	12
Cable Connectors.....	12
3-Pin to 5-Pin Conversion Chart.....	12
SETTING UP A DMX SERIAL DATA LINK.....	13
MASTER/SLAVE FIXTURE LINKING.....	13
4. OPERATING INSTRUCTIONS	14
CONTROL OPTIONS.....	14
ADAS OVERVIEW.....	14
COLORADO™ CONTROL QUICK SETUP.....	14
DMX control without ID address.....	14
DMX-512 addressing with ID address.....	15
ADAS with ID address.....	15
Setting the DMX address.....	16
CONTROL PANEL FUNCTIONS.....	16
Menu Map.....	17
Manual Power ON/OFF.....	17
DMX512 CHANNEL VALUES.....	18
IMPORTANT NOTES ABOUT STAGE 1+STAGE 2 [DMX MODE 1].....	25
Important Notes about STAGE 1+ STAGE 2 [DMX Mode 2].....	26
CONTACT US.....	26
5. APPENDIX	27
DMX PRIMER.....	27
GENERAL MAINTENANCE.....	28
RETURNS PROCEDURE.....	29
CLAIMS.....	29
PHOTOMETRIC.....	30
COLORADO™ 6 SERVICE MAINTENANCE GUIDE.....	31
Exploded View.....	32
LED PCB Alignment/Layout Diagram.....	33
TECHNICAL SPECIFICATIONS.....	34

1. BEFORE YOU BEGIN

What is included

- 1x COLORado™ 6P
- 1x Power cable with plug
- 1x power extension cable 9.8 ft (3 m)
- 1x signal extension cable 9.8 ft (3 m)
- 1x DMX Input cable
- 1x DMX output cable
- 1x Warranty Card
- 1x User Manual

Unpacking Instructions

Immediately upon receiving a fixture, carefully unpack the carton, check the contents to ensure that all parts are present, and have been received in good condition. Notify the shipper immediately and retain packing material for inspection if any parts appear damaged from shipping or the carton itself shows signs of mishandling. Save the carton and all packing materials. In the event that a fixture must be returned to the factory, it is important that the fixture be returned in the original factory box and packing.

Safety Instructions



Please read these instructions carefully, which includes important information about the installation, usage and maintenance of this product.

- Please keep this User Guide for future consultation. If you sell the unit to another user, be sure that they also receive this instruction booklet.
- Always make sure that you are connecting to the proper voltage, and that the line voltage you are connecting to is not higher than that stated on the decal or rear panel of the fixture.
- Always disconnect from power source before servicing or replacing lamp or fuse.
- Secure fixture to fastening device using a safety chain.
- Maximum ambient temperature (Ta) is 95° F (35° C). Do not operate fixture at temperatures higher than this.
- In the event of a serious operating problem, stop using the unit immediately. Never try to repair the unit by yourself. Repairs carried out by unskilled people can lead to damage or malfunction. Please contact the nearest authorized technical assistance center.
- Never connect the device to a dimmer pack.
- Make sure the power cord is never crimped or damaged.
- Never disconnect the power cord by pulling or tugging on the cord.
- Avoid direct eye exposure to the light source while it is on.
- Do not daisy chain power to more than 8 units @ 120 V.
- Do not daisy chain power to more than 16 units @ 240 V.

Caution! *There are no user serviceable parts inside the unit. Do not open the housing or attempt any repairs yourself. In the unlikely event your unit may require service, please contact CHAUVET at: 954-929-1115.*

Caution! *After prolonged periods of operation, the fixture chassis may reach high temperatures. Use caution when handling this fixture.*

LED Expected Lifespan

LEDs gradually decline in brightness over time. HEAT is the dominant factor that leads to the acceleration of this decline. Packaged in clusters, LEDs exhibit higher operating temperatures than in ideal or singular optimum conditions. For this reason when all color LEDs are used at their fullest intensity, life of the LEDs is significantly reduced. It is estimated that a viable lifespan of 40,000 to 50,000 hrs will be achieved under normal operational conditions. If improving on this lifespan expectancy is of a higher priority, place care in providing for lower operational temperatures. This may include climatic-environmental and the reduction of overall projection intensity

2. INTRODUCTION

Features

- 3, 4, 9 or 12-channel DMX-512 LED bank system (with ID addressing)
- Operating modes
 - 3-channel: RGB control
 - 4-channel: RGB, dimmer
 - 9-channel: RGB, ID, dim, macro, strobe, automatic, custom, DMX modes
 - 9-channel: RGB of 3 separate sections
 - 12-channel: RGB, CMY, ID, dim, macro, strobe, automatic, custom, DMX modes
- Blackout/static/dimmer/strobe
- Color macros for individual pod control
- RGB color mixing with or without DMX controller
- Automatic DMX addressing system (ADAS)
- Remote addressing system (RAS)
- Built-in automated programs via master/slave, DMX or COLOR-CON

Additional Features

- High-power, 1 W (350 mA) LEDs
- Ingress Protection: IP66
- Interlock multiple units to create blinder, wall or strip light effects
- Additional power output: max 8 units @ 120 V
- LCD display with password protection

Options

- COLORado™ Controller (COLOR-CON)
- Optical systems: 15° (installed), 30° (CL20X30)
- 16.4 ft (5 m) power extension cable (IP5POWER)
- 16.4 ft (5 m) signal extension cable (IP5SIG)

DMX Channel Summary

The COLORado™ 6P has a total of five DMX channel configurations, referred to as personalities in this manual and in the fixture onboard control board. The five personalities are: STAGE 1, STAGE2, PIXEL, ARC1, ARC 1+D.

[STAGE 1] DMX MODE 1	CHANNEL	DESCRIPTION
	1	Red
	2	Green
	3	Blue
	4	Yellow
	5	Cyan
	6	Magenta
	7	White
	8	Strobe
	9	Mode Selection Color-cycle Mode 245 <-> 255 : DMX Mode 2
	10	ID Address Selection
	11	Module Selection
	12	Effect Macro

[STAGE 1] DMX MODE 2	CHANNEL	DESCRIPTION
	1	Module #1
	2	Module #2
	3	Module #3
	4	No Function
	5	
	6	
	7	
	8	Strobe
	9	Mode Selection 0 <-> 244 : DMX Mode 1
	10	ID Address Selection
	11	No Function
	12	

[STAGE 2] DMX MODE 1	CHANNEL	DESCRIPTION
	1	Dimmer
	2	Red
	3	Green
	4	Blue
	5	Color Macro Selection
	6	Strobe
	7	Mode Selection Color-cycle Mode 245 <-> 255 : DMX Mode 2
	8	ID Addressing
	9	Module Selection Speed Control of CH7 {Color Cycle Mode}
	10	Effect Macro

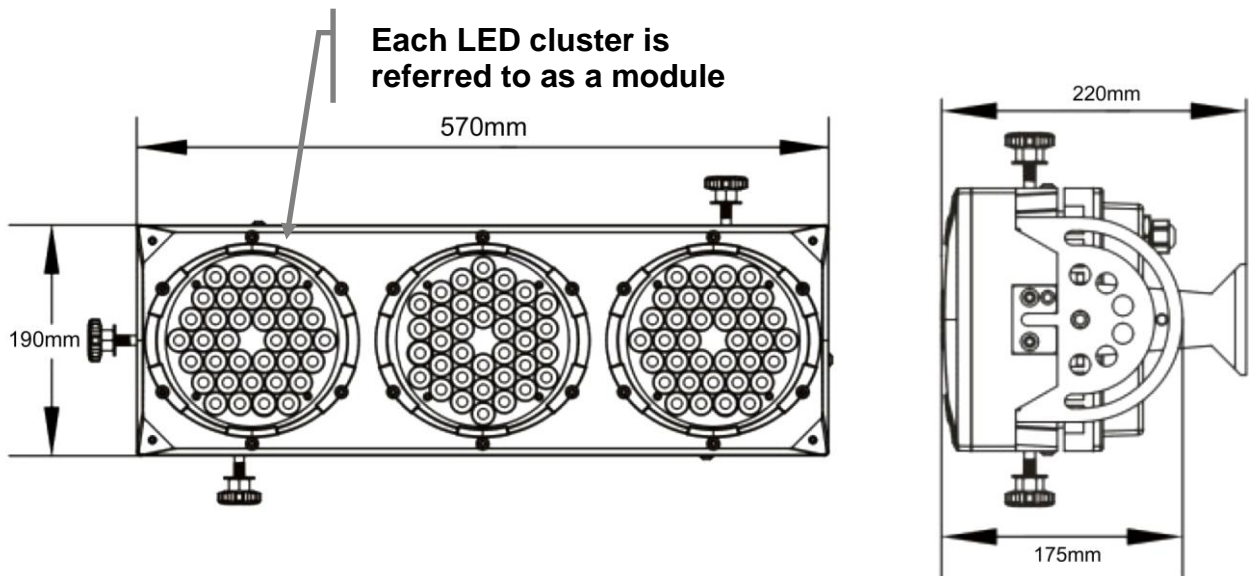
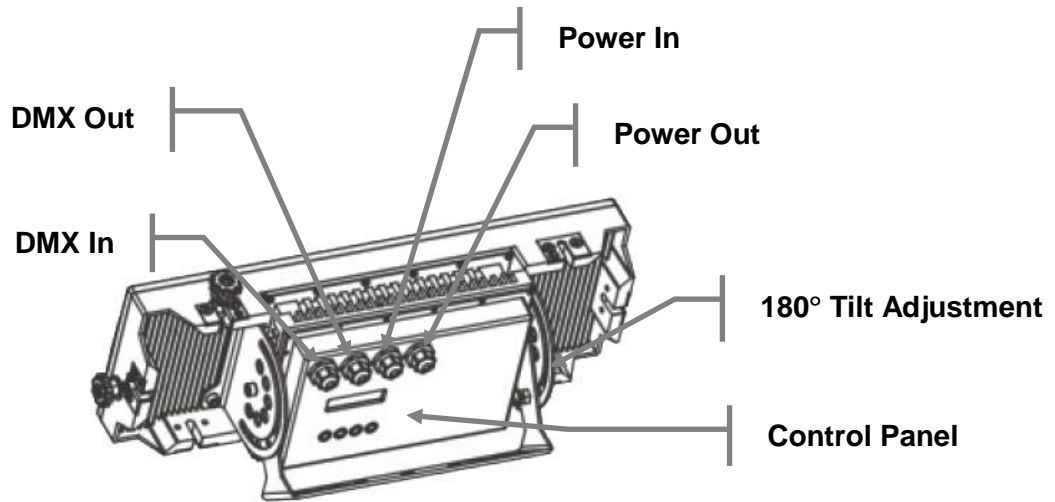
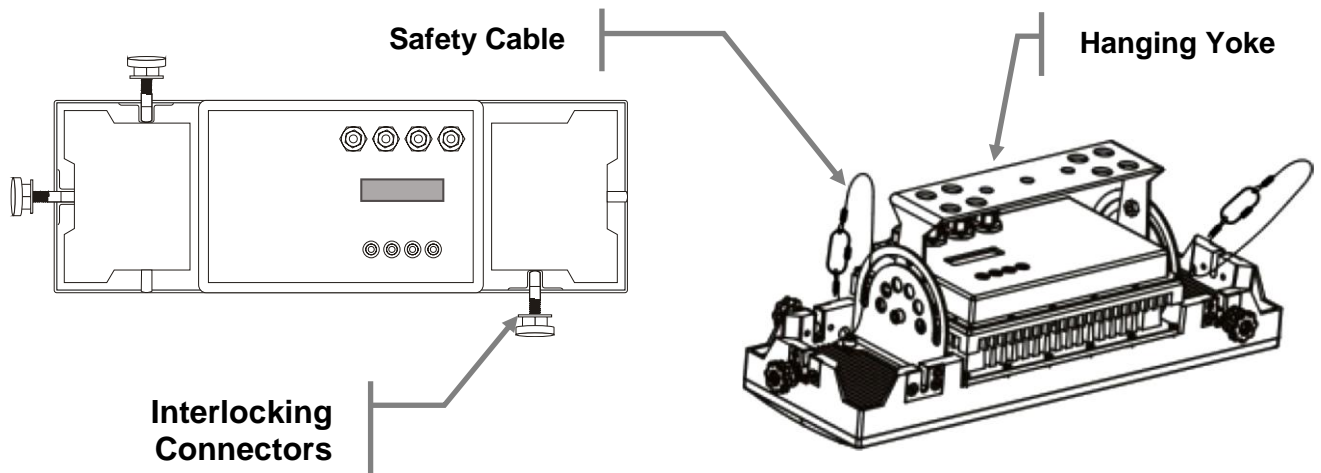
[STAGE 2] DMX MODE 2	CHANNEL	DESCRIPTION
	1	Module #1
	2	Module #2
	3	Module #3
	4	No Function
	5	
	6	Strobe
	7	Mode Selection 0 <-> 244 : DMX Mode 1 0245<-> 255 : DMX Mode 2
	8	ID Addressing
	9	No Function
	10	

[PIXEL]	CHANNEL	DESCRIPTION
	1	Block 1 Red
	2	Block 1 Green
	3	Block 1 Blue
	4	Block 2 Red
	5	Block 2 Green
	6	Block 2 Blue
	7	Block 3 Red
	8	Block 3 Green
	9	Block 3 Blue

[ARC 1]	CHANNEL	DESCRIPTION
	1	Red
	2	Green
	3	Blue

[ARC 1+D]	CHANNEL	DESCRIPTION
	1	Dimmer
	2	Red
	3	Green
	4	Blue

Product Overview



3. SETUP

AC Power

This fixture has an auto-switching switch-mode power supply that can accommodate a wide range of input voltages. The only thing necessary to do before powering on the unit is to make sure the line voltage you are applying is within the range of accepted voltages. This fixture will accommodate 100~240VAC, 50/60 Hz.

This fixture is designed for power linking from one COLORado™ to another COLORado™ fixture. Each fixture ships with power extension cables (proprietary male-to-female IP66 connectors).

Note! *All fixtures must be powered directly off a switched circuit and cannot be run off a rheostat (variable resistor) or dimmer circuit, even if the rheostat or dimmer channel is used solely for a 0% to 100% switch*

Warning! *All fixtures must be connected to circuits with a suitable Earth Ground.*

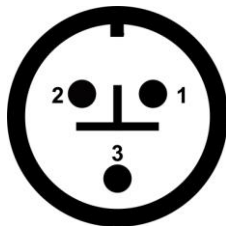
Depending on the application, the lighting fixture may require a different connector (terminator). Please refer to the below factory-installed IP66 terminator wire color code if installing a wire connector (terminator).

Please be aware: this fixture is warranted as IP66 outdoor rating. Removing the connector(s) on this fixture or any other type of tampering with the case or cable(s) may void the IP66 outdoor rating. However, this will not void the standard 2-year warranty that all Chauvet DMX fixtures carry, provided the operating voltages are within the proper range.

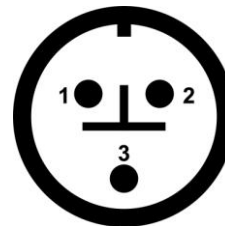
WIRE	CONNECTION
Brown	AC Live
Blue	AC Neutral
Green/Yellow	AC Ground

CONNECTION	PIN
AC LIVE	1
AC NEUTRAL	2
GROUND(EARTH)	3

MALE/POWER INPUT



FEMALE/POWER OUTPUT/LINKING



Mounting

Orientation

This fixture may be mounted in any safe position.

Rigging

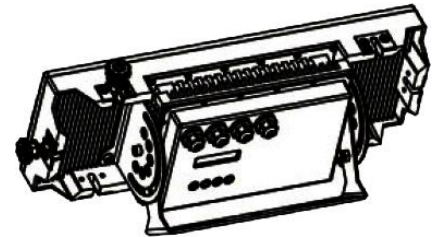
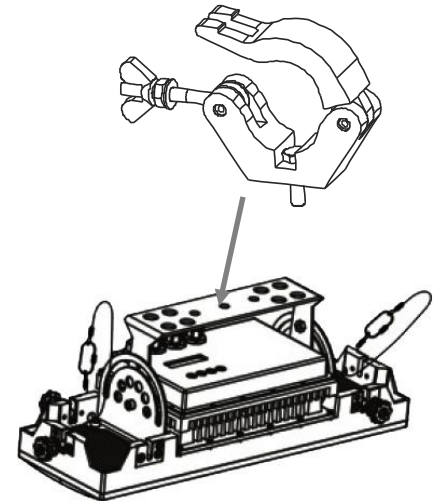
The fixture includes a mounting yoke to which a rigging clamp can be attached. You must supply your own clamp and make sure the clamp is capable of supporting the weight of this fixture. It is recommended to use at least 2 mounting points per fixture. You can order "C" and "O"-clamps from any CHAUVET dealer or distributor: CLP-15, CLP-06, and CLP-16

1. Block access below the work area and use suitable and stable platform when installing or servicing fixture.
2. Safety cables must always be used, utilizing the provided safety attachment points. The safety cable must be capable of holding 10 times the weight of the fixture.
3. Verify the structure can hold 10 times the weight of all to-be installed fixtures.

Caution!

After prolonged periods of operation, the fixture chassis may reach high temperatures. This fixture must be mounted in a ventilated location, as it is convection cooled.

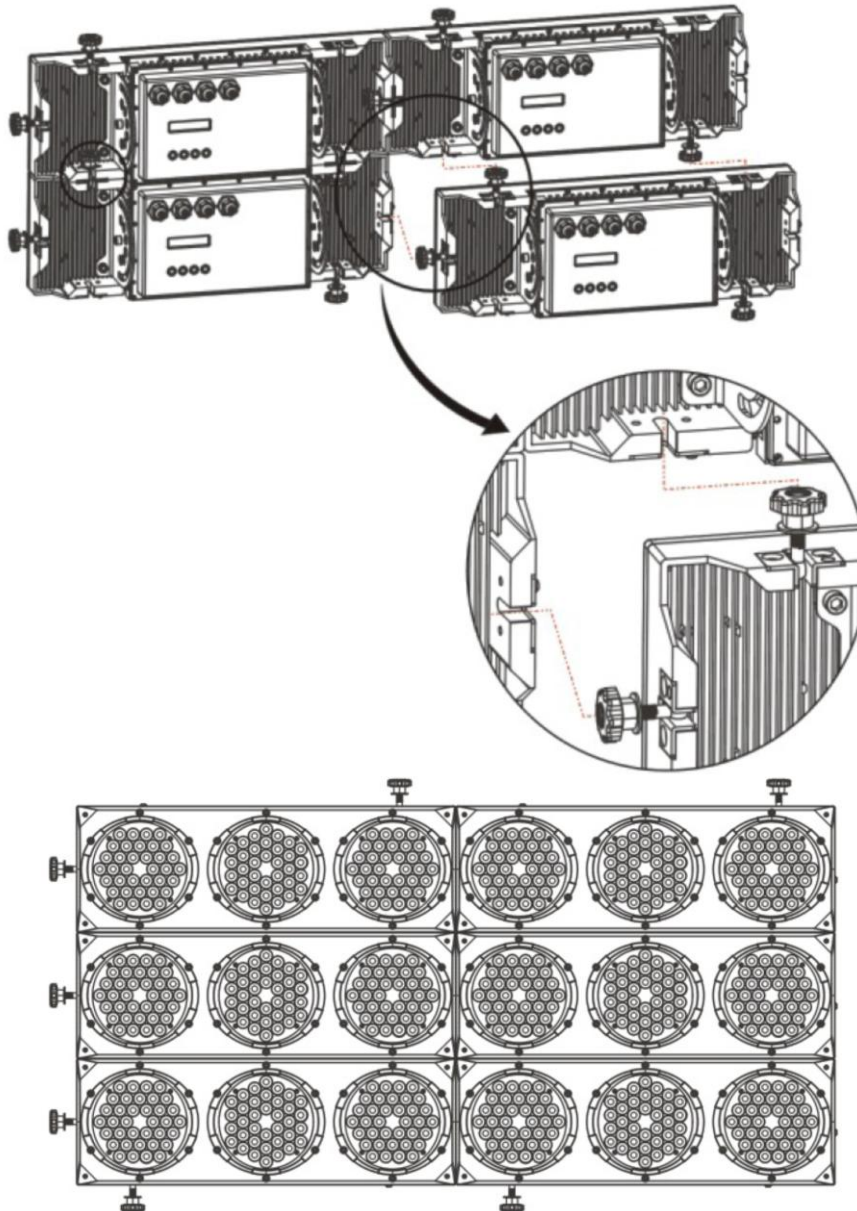
Hanging Clamp



Note!
Clamp is sold separately.

Stacking

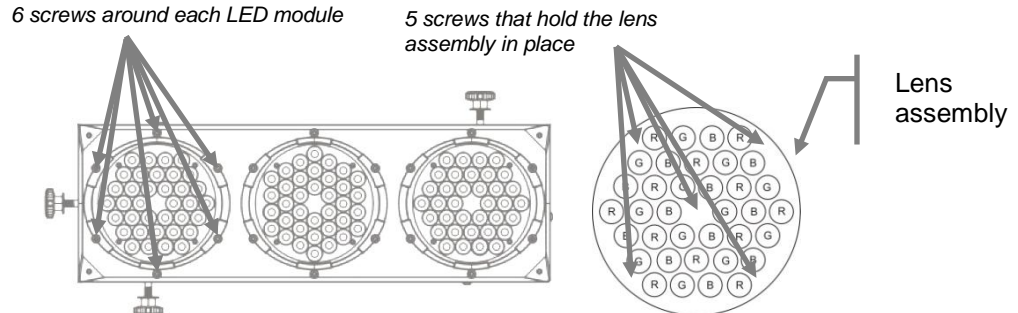
The COLORado™ 6 can be stacked vertically and horizontally to create a blinder or strip light. Stack them horizontally to increase intensity of the projection for more distant throws or to use as a blinder effect. The strip light stacking can be used for runway lighting or cycloramas.



COLORado™ stacked for use as a Blinder or Large Wash Flood

Lens Assembly Installation/Replacement

The COLORado™ 6 comes with 15° lens assembly pre-installed from the factory. However, there are 2 other optional lens assemblies available as accessories which will alter the beam angle. Please follow the below instructions for proper replacement/installation.



1. There are 6 screws located around each module. Remove all 18 screws for the front cover.
2. After removing the front cover, there are 5 screws that hold each lens assembly in place over the LED's. Remove these and take out the lens assembly.
3. Place the new lens assembly over the Led's, being careful to get the correct alignment.
4. Replace the outer plastic cover, being careful to make a watertight seal.

Note *The center module is different from the outer 2 modules.*

Note *There are multiple possible positions in which to place the lens assembly over the LEDs. Failure to install it properly can lead to loss of light output and/or damage to the physical LEDs. Please see the diagram located above to prevent this.*

Warning! *When replacing the lens assembly, please make sure that the power is disconnected from the fixture beforehand.*

Please also make sure that the covers are sealed tightly when replacing them after the new lens assembly is installed, as failure to accomplish this will compromise the IP66 protection, and possibly the warranty.

Fixture Linking

You will need a serial data link to run light shows of one or more fixtures using a DMX controller or to run synchronized shows on two or more fixtures set to a master/slave operating mode. The combined number of channels required by all the fixtures on a serial data link determines the number of fixtures the data link can support.

Important *Fixtures on a serial data link must be daisy chained in one single line. To comply with the EIA-485 standard no more than 32 fixtures should be connected on one data link. Connecting more than 32 fixtures on one serial data link without the use of a DMX optically-isolated splitter may result in deterioration of the digital DMX signal.*

Maximum recommended serial data link distance: 500 m (1640 ft)

Maximum recommended number of fixtures on a serial data link: 32

Data Cabling

To link fixtures together you must obtain data cables. You can purchase CHAUVET certified DMX cables directly from a dealer/distributor or construct your own cable. If you choose to create your own cable please use data-grade cables that can carry a high quality signal and are less prone to electromagnetic interference.

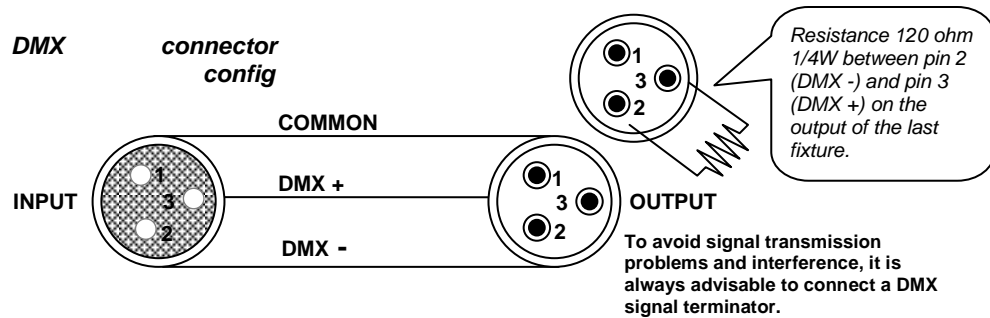
DMX Data Cable

Use a Belden© 9841 or equivalent cable which meets the specifications for EIA RS-485 applications. Standard microphone cables cannot transmit DMX data reliably over long distances. The cable will have the following characteristics:

Type:	shielded, 2-conductor twisted pair
Maximum capacitance between conductors:	30 pF/ft
Maximum capacitance between conductor and shield:	55 pF/ft
Maximum resistance:	20 ohms/1000 ft
Nominal impedance:	100 ~ 140 ohms

Cable Connectors

Cabling must have a male XLR connector on one end and a female XLR connector on the other end.



Caution Do not allow contact between the common and the fixture's chassis ground. Grounding the common can cause a ground loop, and your fixture may perform erratically. Test cables with an ohmmeter to verify correct polarity and to make sure the pins are not grounded or shorted to the shield or each other.

3-Pin to 5-Pin Conversion Chart

Note If you use a controller with a 5-pin DMX output connector, you will need to use a 5-pin to 3-pin adapter. CHAUVET Model No: DMX5M, or DMX5F. The chart below details a proper cable conversion:

3-PIN TO 5-PIN CONVERSION CHART		
Conductor	3 Pin Female (Output)	5 Pin Male (Input)
Ground/Shield	Pin 1	Pin 1
Data (-) signal	Pin 2	Pin 2
Data (+) signal	Pin 3	Pin 3
Not used		Pin 4
Not used		Pin 5

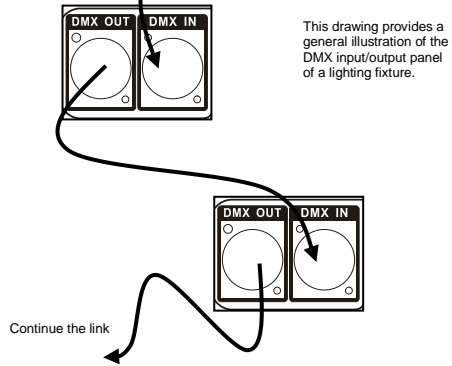
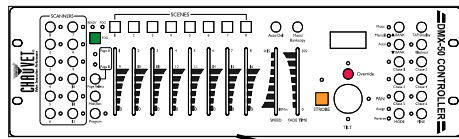
Setting up a DMX Serial Data Link

1. Connect the (male) 3-pin connector side of the DMX cable to the output (female) 3-pin connector of the controller.
2. Connect the end of the cable coming from the controller which will have a (female) 3-pin connector to the input connector of the next fixture consisting of a (male) 3-pin connector.
3. Then, proceed to connect from the output as stated above to the input of the following fixture and so on.

CHAUVET Certified DMX Data Cables

Order Code	Description
DMX1.5	DMX Cable 1.5 m/4.9 ft
DMX4.5	DMX Cable 4.5 m/14.8 ft
DMX10	DMX Cable 10 m/32.8 ft

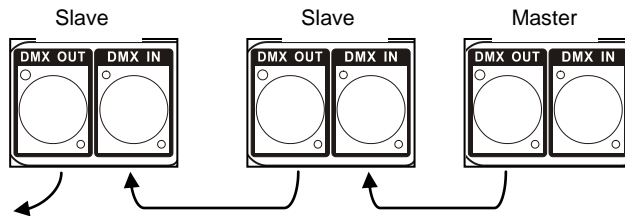
Universal DMX Controller



Master/Slave Fixture Linking

1. Connect the (male) 3-pin connector side of the DMX cable to the output (female) 3-pin connector of the first fixture.
2. Connect the end of the cable coming from the first fixture which will have a (female) 3-pin connector to the input connector of the next fixture consisting of a (male) 3-pin connector. Then, proceed to connect from the output as stated above to the input of the following fixture and so on.

Often, the setup for Master-Slave and Stand-alone operation requires that the first fixture in the chain be initialized for this purpose via settings in the control panel. Secondly, the fixtures that follow may also require a slave setting. Please consult the "Operating Instructions" section in this manual for complete instructions for this type of setup and configuration.



4. OPERATING INSTRUCTIONS

Control Options

The COLORado™ 6 is addressable in the DMX range of 001 ~ 512 with a maximum of 12 channels. In its simplest control form, this allows for the control of 42 fixtures; however, a secondary ID address system exists for use in a limited DMX universe and architectural environments. The ID address system allows the user to assign up to 66 fixtures within the same DMX address. In effect, multiplying the control of COLORado's™ within a single universe to 2,772 fixtures. The COLORado's™ ID address system is accessed using DMX channel 10. Consideration must be placed when programming live performances or cues that need to trigger on demand or on a time line. So, to remain within one second execution time, program no greater than 10 fixtures on ID addressing per DMX channel.

ADAS Overview

Automatic DMX512 Addressing System: Up to 42 fixtures in one universe can be automatically addressed (Using the "STAGE1" personality). In ADAS with ID address setting, upon activation of CH8 and CH10 at value 255, the fixtures will self DMX address. This address is not random; it is calculated using the {**ADAS fader no**} value setting which the user sets in advance. The user can choose between 001 and 244 for the ADAS fader value, this value would be set to at least the number of control channels for a COLORado™ (which is 12) or the number of channel faders on a small console maybe 16 OR 18 (i.e. for a DMX 50). The ADAS DMX address is calculated within each fixture using the following method:

$\{\text{ADAS fader no value}\} \times (\text{ID} - 1) + 1 = \text{ADAS DMX Address}$

let's see how that translates; I'll use an ID value of 2 and an {**ADAS fader no**} value of 12;

$\{(\text{ADAS}=12) \times (\text{ID}=2 - 1) + 1 \quad || \quad \{12 \times (2-1)\} + 1 \quad || \quad \{12 \times 1\} + 1 = \mathbf{(13) DMX Address}$

COLORado™ Control Quick Setup

For detailed instructions on display panel operations and functions please advance to the section titled; "Display Panel Functions". These steps assume that you have read and are familiar with setting up a DMX serial data link.

DMX control without ID address

The COLORado™ 6 operates on 12 channels of DMX (STAGE1 personality). Address each fixture in increments of 12 channels. (I.e. 1,13,25,37, etc...) To save time you can use the same DMX address for each fixture. All fixtures will then respond simultaneously to control. You may also group your fixtures and address those groups alike for faster programming and control.

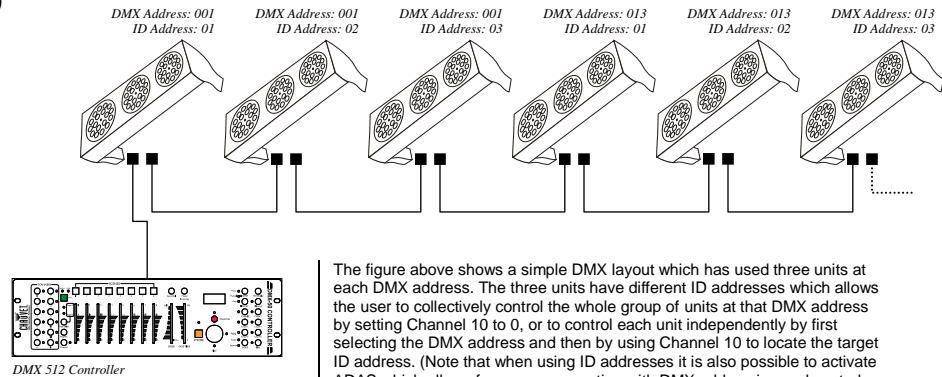
1. Access the control panel's {**DMX512 address**} function by pressing the (**UP/DOWN**) buttons until the function is displayed
2. Press the (**SET**) button to enter panel function.
3. Use the (**UP/DOWN**) buttons to increase or decrease channels between 001 and 512.
4. Press the (**SET**) button to confirm action.

Deactivate ID addressing in each fixture by setting panel function {**ID ON/OFF**} to OFF.
{**MENU**} ↻ {**Settings**} ↻ {**ID ON/OFF**} ↻ [**OFF**]

Notes: *If ID addressing is not deactivated in the fixture's control panel function, unintended results may occur if values are present in channel 10. Make sure values on channel 10 are set to 0.*

DMX-512 addressing with ID address

1. Follow instructions 1 ~ 4 for DMX addressing.
2. Activate ID addressing in each fixture by setting panel function **{ID ON/OFF}** to ON.
{MENU} → {Settings} → {ID ON/OFF} → [ON]
3. For every DMX address starting address the user can set 66 separate ID addresses.
4. Set ID addresses in each fixture by setting panel function **{ID address}** to incremental values. (I.e. 1,2,3,4,5,6,etc...)
{MENU} → {Settings} → {ID address} → [01 ~ 66]
5. ID addresses are accessible using Channel 10.



ADAS with ID address

With ADAS activated it is not necessary to set DMX addresses on each fixture. The fixture will automatically assign a temporary DMX address based on the fixture ID address and the value of **{ADAS fader no}** that will be assigned.

1. Set ID addresses as previously explained in ascending numerical order.
2. Set **{ADAS ON/OFF}** to ON.
{MENU} → {Settings} → {ADAS ON/OFF} → [ON]
3. Set **{ADAS fader no}** to "12". Which is the number of control channels on a COLORado™.
{MENU} → {Settings} → {ADAS fader no} → [12]
4. Activate **ADAS** DMX addressing by setting **Channels 8 and 10** to value **255**. (Faders 8 & 10 all the way up!)
5. A DMX address will be calculated and temporarily assigned as explained in the "ADAS Overview" section.
6. Deactivate **ADAS** DMX addressing by setting **Channels 8, 10 and 11** to value **255**. (Faders 8, 10 & 11 and the way up!). All fixtures will return to the DMX address previously set before the ADAS activation.

Note You must set channels 8, 10, and 11 to 255 for EACH fixture you want to deactivate ADAS DMX addressing. For example, if a fixture has a starting address of 17, you must set DMX channels 24, 26, and 27.

You can make the temporary ADAS DMX address permanent on each fixture by selecting the **{ADAS copy}** function.

{MENU} → {Settings} → {ADAS copy} → [ON] (Will store the new DMX address)

Important

When using ADAS, all fixtures must have the following settings;

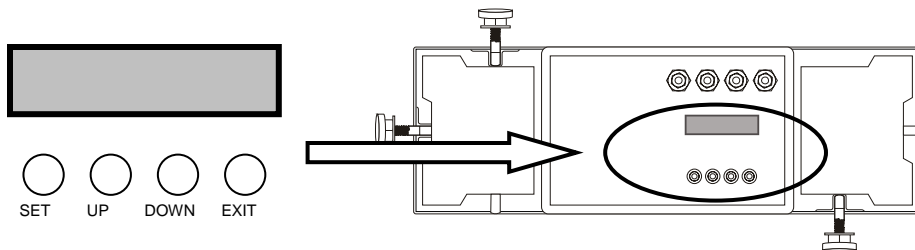
{ID address}	All ID addresses need to be set in ascending order
{ID ON/OFF}	Set to [ON]
{ADAS fader no}	All units set to the same value
{ADAS ON/OFF}	Set to [ON]

Setting the DMX address

Each fixture requires a start address from 1 ~ 512. A fixture requiring one or more channels for control begins to read the data on the channel indicated by the start address. For example, a fixture that occupies or uses 7 channels of DMX and was addressed to start on DMX channel 100, would read data from channels: 100, 101, 102, 103, 104, 105 and 106. Choose start addresses so that the channels used do not overlap and note the start address selected for future reference. The COLORado™ 6 uses 12 channels in its Stage 1 personality. If this is your first time using DMX, we recommend reading the DMX Primer in the “Appendix” Section.

Control Panel Functions

All fixture functions and settings are accessible via the built in control panel.



BUTTON	FUNCTION
SET	Enables the currently displayed menu or sets the currently selected value in to the selected function
UP	Navigates upwards through the menu list and increases the numeric value when in a function
DOWN	Navigates downwards through the menu list and decreases the numeric value when in a function
EXIT	Exits from the current menu or function

Menu Map

MAIN FUNCTION	SUB-FUNCTION	SELECTION	INSTRUCTION
Static color	Dimmer		
	Red	000 ~ 255	User can combine Red, Green and Blue to generate a custom color Select strobing frequency between 0 and 20 Hz
	Green	(0 ~ 100%)	
	Blue		
	Color Macros	*Strobe range is 0 ~ 20	
	Strobe		
DMX512		001 ~ 512	
Personality		Stage 1	12-channel mode
		Stage 2	10-channel mode
		Pixel	9-channel mode; RGB control for each module
		Arc 1	3-channel mode; RGB mode
		Arc 1+D	4-channel mode; RGB+D mode
Run Mode		DMX	Allow DMX control
		CON	Allow COLOR-CON control
Auto program		1	Choose from 8 Automatic programs
		2	
		3	
		4	
		5	
		6	
		7	
		8	
Settings	ID address	01 ~ 66	Assigns the ID address to a fixture
	ID ON/OFF	On ~ Off	Either enables or disables ID addressing
	ADAS faders no	01 ~ 244	Sets the number of ADAS channels for use when automating DMX channel assignment
	ADAS ON/OFF	On ~ Off	Enables the Automatic DMX Addressing System
	ADAS copy	On ~ Off	When activated the DMX512 address assigned by the ADAS will become permanent on the fixture
	Factory settings	Reset confirm	Resets fixture to factory default settings
	Dimmer start	[001] or [005]	Modify the dimming curve starting value
Password	ON/OFF	On ~ Off	When password is set to on the control panel will ask for a password each time the control panel is accessed
	Set Password	[▲▼▲▼▲▼▼▼]	Use UP and DOWN buttons to set and press SET to confirm Note! If you forget the password use the following factory password: UP, DOWN, UP, DOWN, UP, UP, DOWN, DOWN

Manual Power ON/OFF

The COLORado™ 6 can be turned on and off using the control panel.

POWER	ACTION
Turn OFF	When {MENU} is displayed in the LCD panel, hold down the (EXIT) button for 3 seconds to turn off the fixture.
Turn ON	Hold the (EXIT) button for 3 seconds to turn power on.

DMX512 Channel Values

The COLORado™ 6 has five DMX channel personalities: STAGE 1, STAGE 2, PIXEL, ARC1, ARC1+D. Both [STAGE 1] & [STAGE 2] have 2 sub modes: {DMX MODE1} & {DMX MODE 2}. Channel 9 is used to switch between modes in STAGE1, and Channel 7 is used in STAGE 2.

STAGE 1 [DMX CONTROL MODE 1]

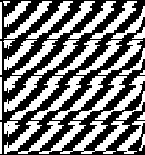

CHANNEL	VALUE	FUNCTION
1	000 ⇔ 004	Red
	005 ⇔ 255	No Function 0 ⇔ 100%
2	000 ⇔ 004	Green
	005 ⇔ 255	No Function 0 ⇔ 100%
3	000 ⇔ 004	Blue
	005 ⇔ 255	No Function 0 ⇔ 100%
4	000 ⇔ 004	Yellow
	005 ⇔ 255	No Function 0 ⇔ 100%
5	000 ⇔ 004	Cyan
	005 ⇔ 255	No Function 0 ⇔ 100%
6	000 ⇔ 004	Magenta
	005 ⇔ 255	No Function 0 ⇔ 100%
7	000 ⇔ 004	White
	005 ⇔ 255	No Function 0 ⇔ 100%
8	000 ⇔ 004	Strobe
	005 ⇔ 255	No Function 0 ⇔ 20 Hz
9	000 ⇔ 004	Mode Selection
	005 ⇔ 034	No Function
	035 ⇔ 064	Color-Cycle Mode 1
	065 ⇔ 094	Color-Cycle Mode 2
	095 ⇔ 124	Color-Cycle Mode 3
	125 ⇔ 154	Color-Cycle Mode 4
	155 ⇔ 184	Color-Cycle Mode 5
	185 ⇔ 214	Color-Cycle Mode 6
	215 ⇔ 244	Color-Cycle Mode 7
	245 ⇔ 255	Color-Cycle Mode 8 DMX MODE 2

Channel 10 (ID address selection)

000 ⇔ 009	All IDs	212	ID 23	235	ID 46
010 ⇔ 019	ID 1	213	ID 24	236	ID 47
020 ⇔ 029	ID 2	214	ID 25	237	ID 48
030 ⇔ 039	ID 3	215	ID 26	238	ID 49
040 ⇔ 049	ID 4	216	ID 27	239	ID 50
050 ⇔ 059	ID 5	217	ID 28	240	ID 51
060 ⇔ 069	ID 6	218	ID 29	241	ID 52
070 ⇔ 079	ID 7	219	ID 30	242	ID 53
080 ⇔ 089	ID 8	220	ID 31	243	ID 54
090 ⇔ 099	ID 9	221	ID 32	244	ID 55
100 ⇔ 109	ID 10	222	ID 33	245	ID 56
110 ⇔ 119	ID 11	223	ID 34	246	ID 57
120 ⇔ 129	ID 12	224	ID 35	247	ID 58
130 ⇔ 139	ID 13	225	ID 36	248	ID 59
140 ⇔ 149	ID 14	226	ID 37	249	ID 60
150 ⇔ 159	ID 15	227	ID 38	250	ID 61
160 ⇔ 169	ID 16	228	ID 39	251	ID 62
170 ⇔ 179	ID 17	229	ID 40	252	ID 63
180 ⇔ 189	ID 18	230	ID 41	253	ID 64
190 ⇔ 199	ID 19	231	ID 42	254	ID 65
200 ⇔ 209	ID 20	232	ID 43	255	ID 66
210	ID 21	233	ID 44		
211	ID 22	234	ID 45		

CHANNEL	VALUE	FUNCTION
11	000 ⇔ 004	Module Selection #1=ON, #2=ON, #3=ON
	005 ⇔ 034	#1=ON
	035 ⇔ 064	#2=ON
	065 ⇔ 094	#3=ON
	095 ⇔ 124	#1=ON, #2=ON
	125 ⇔ 154	#2=ON, #3=ON
	155 ⇔ 184	#1=ON, #3=ON
	185 ⇔ 214	#1=ON, #2=ON, #3=ON
	215 ⇔ 255	#1=OFF, #2=OFF, #3=OFF
		000 ⇔ 255
12		Effect Macro
	000 ⇔ 004	No Function
	005 ⇔ 008	Macro 01
	009 ⇔ 013	Macro 02
	014 ⇔ 018	Macro 03
	019 ⇔ 023	Macro 04
	024 ⇔ 028	Macro 05
	029 ⇔ 033	Macro 06
	034 ⇔ 038	Macro 07
	039 ⇔ 043	Macro 08
	044 ⇔ 048	Macro 09
	049 ⇔ 053	Macro 10
	054 ⇔ 058	Macro 11
	059 ⇔ 063	Macro 12
	064 ⇔ 068	Macro 13
	069 ⇔ 073	Macro 14
	074 ⇔ 078	Macro 15
	079 ⇔ 083	Macro 16
	084 ⇔ 088	Macro 17
	089 ⇔ 093	Macro 18
	094 ⇔ 098	Macro 19
	099 ⇔ 103	Macro 20
	104 ⇔ 108	Macro 21
	109 ⇔ 113	Macro 22
	114 ⇔ 118	Macro 23
	119 ⇔ 123	Macro 24
	124 ⇔ 128	Macro 25
	129 ⇔ 133	Macro 26
	134 ⇔ 138	Macro 27
	139 ⇔ 143	Macro 28
	144 ⇔ 148	Macro 29
	149 ⇔ 153	Macro 30
	154 ⇔ 158	Macro 31
	159 ⇔ 163	Macro 32
	164 ⇔ 168	Macro 33
	169 ⇔ 173	Macro 34
	174 ⇔ 178	Macro 35
	179 ⇔ 183	Macro 36
	184 ⇔ 188	Macro 37
	189 ⇔ 193	Macro 38
	194 ⇔ 198	Macro 39
	199 ⇔ 203	Macro 40
	204 ⇔ 208	Macro 41
	209 ⇔ 213	Macro 42
	214 ⇔ 218	Macro 43
	219 ⇔ 223	Macro 44
	224 ⇔ 228	Macro 45
	229 ⇔ 233	Macro 46
	234 ⇔ 238	Macro 47
	239 ⇔ 243	Macro 48
244 ⇔ 248	Macro 49	
249 ⇔ 255	Macro 50	

STAGE 1 [DMX CONTROL MODE 2]

CHANNEL	VALUE	FUNCTION
1	000 ⇔ 004	Module 1 No Function
	005 ⇔ 034	Red
	035 ⇔ 064	Green
	065 ⇔ 094	Blue
	095 ⇔ 124	Yellow
	125 ⇔ 154	Cyan
	155 ⇔ 184	Magenta
	185 ⇔ 255	Pink-White
2	000 ⇔ 004	Module 2 No Function
	005 ⇔ 034	Red
	035 ⇔ 064	Green
	065 ⇔ 094	Blue
	095 ⇔ 124	Yellow
	125 ⇔ 154	Cyan
	155 ⇔ 184	Magenta
	185 ⇔ 255	Pink-White
3	000 ⇔ 004	Module 3 No Function
	005 ⇔ 034	Red
	035 ⇔ 064	Green
	065 ⇔ 094	Blue
	095 ⇔ 124	Yellow
	125 ⇔ 154	Cyan
	155 ⇔ 184	Magenta
	185 ⇔ 255	Pink-White
4		No Function
5		
6		
7		
8	000 ⇔ 004	Strobe No Function
	005 ⇔ 255	0 ⇔ 20 Hz
9	000 ⇔ 244	Mode Selection DMX MODE 1 (only when channels 1-7 = 0)
	245 ⇔ 255	DMX MODE 2
10	ID Address Selection	See Channel 8 (ID address selection) on page 21 under DMX Control Mode 1
11		No Function
12		

STAGE 2 [DMX CONTROL MODE 1]





CHANNEL	VALUE	FUNCTION
1	000 ⇔ 004	Dimmer No Function 0 ⇔ 100%
	005 ⇔ 255	
2	000 ⇔ 004	Red No Function 0 ⇔ 100%
	005 ⇔ 255	
3	000 ⇔ 004	Green No Function 0 ⇔ 100%
	005 ⇔ 255	
4	000 ⇔ 004	Blue No Function 0 ⇔ 100%
	005 ⇔ 255	
5	000 ⇔ 009	Color Macros No Function
	010 ⇔ 029	Red (100%)
	030 ⇔ 039	Red (85%) + Green (15%)
	040 ⇔ 049	Red (60%) + Green (40%)
	050 ⇔ 069	Yellow (100%)
	070 ⇔ 079	Red (15%) + Green (85%)
	080 ⇔ 089	Red (40%) + Green (60%)
	090 ⇔ 109	Green (100%)
	110 ⇔ 119	Green (85%) + Blue (15%)
	120 ⇔ 129	Green (60%) + Blue (40%)
	130 ⇔ 149	Blue (100%)
	150 ⇔ 159	Blue (85%) + Green (15%)
	160 ⇔ 169	Blue (60%) + Green (40%)
	170 ⇔ 189	Cyan (100%)
	190 ⇔ 199	Green (50%) + Magenta (50%)
	200 ⇔ 219	Magenta (100%)
220 ⇔ 229	Magenta (80%) + Green (20%)	
230 ⇔ 249	RGB (100%)	
250 ⇔ 255	White (100%)	
6	000 ⇔ 004	Strobe No Function 0 ⇔ 20 Hz
	005 ⇔ 255	
7	000 ⇔ 004	Mode Selection No Function
	005 ⇔ 034	Color-Cycle Mode 1
	035 ⇔ 064	Color-Cycle Mode 2
	065 ⇔ 094	Color-Cycle Mode 3
	095 ⇔ 124	Color-Cycle Mode 4
	125 ⇔ 154	Color-Cycle Mode 5
	155 ⇔ 184	Color-Cycle Mode 6
	185 ⇔ 214	Color-Cycle Mode 7
	215 ⇔ 244	Color-Cycle Mode 8
	245 ⇔ 255	DMX MODE 2

Channel 8 (ID address selection)

000 ⇔ 009	All IDs	212	ID 23	235	ID 46
010 ⇔ 019	ID 1	213	ID 24	236	ID 47
020 ⇔ 029	ID 2	214	ID 25	237	ID 48
030 ⇔ 039	ID 3	215	ID 26	238	ID 49
040 ⇔ 049	ID 4	216	ID 27	239	ID 50
050 ⇔ 059	ID 5	217	ID 28	240	ID 51
060 ⇔ 069	ID 6	218	ID 29	241	ID 52
070 ⇔ 079	ID 7	219	ID 30	242	ID 53
080 ⇔ 089	ID 8	220	ID 31	243	ID 54
090 ⇔ 099	ID 9	221	ID 32	244	ID 55
100 ⇔ 109	ID 10	222	ID 33	245	ID 56
110 ⇔ 119	ID 11	223	ID 34	246	ID 57
120 ⇔ 129	ID 12	224	ID 35	247	ID 58
130 ⇔ 139	ID 13	225	ID 36	248	ID 59
140 ⇔ 149	ID 14	226	ID 37	249	ID 60
150 ⇔ 159	ID 15	227	ID 38	250	ID 61
160 ⇔ 169	ID 16	228	ID 39	251	ID 62
170 ⇔ 179	ID 17	229	ID 40	252	ID 63
180 ⇔ 189	ID 18	230	ID 41	253	ID 64
190 ⇔ 199	ID 19	231	ID 42	254	ID 65
200 ⇔ 209	ID 20	232	ID 43	255	ID 66
210	ID 21	233	ID 44		
211	ID 22	234	ID 45		

CHANNEL	VALUE	FUNCTION
9	000 ⇔ 004	Module Selection
	005 ⇔ 034	#1=ON, #2=ON, #3=ON
	035 ⇔ 064	#1=ON
	065 ⇔ 094	#2=ON
	095 ⇔ 124	#3=ON
	125 ⇔ 154	#1=ON, #2=ON
	155 ⇔ 184	#2=ON, #3=ON
	185 ⇔ 214	#1=ON, #3=ON
	215 ⇔ 255	#1=ON, #2=ON, #3=ON
10	000 ⇔ 004	Effect Macro
	005 ⇔ 008	No Function
	009 ⇔ 013	Macro 01
	014 ⇔ 018	Macro 02
	019 ⇔ 023	Macro 03
	024 ⇔ 028	Macro 04
	029 ⇔ 033	Macro 05
	034 ⇔ 038	Macro 06
	039 ⇔ 043	Macro 07
	044 ⇔ 048	Macro 08
	049 ⇔ 053	Macro 09
	054 ⇔ 058	Macro 10
	059 ⇔ 063	Macro 11
	064 ⇔ 068	Macro 12
	069 ⇔ 073	Macro 13
	074 ⇔ 078	Macro 14
	079 ⇔ 083	Macro 15
	084 ⇔ 088	Macro 16
	089 ⇔ 093	Macro 17
	094 ⇔ 098	Macro 18
	099 ⇔ 103	Macro 19
	104 ⇔ 108	Macro 20
	109 ⇔ 113	Macro 21
	114 ⇔ 118	Macro 22
	119 ⇔ 123	Macro 23
	124 ⇔ 128	Macro 24
	129 ⇔ 133	Macro 25
	134 ⇔ 138	Macro 26
	139 ⇔ 143	Macro 27
	144 ⇔ 148	Macro 28
	149 ⇔ 153	Macro 29
	154 ⇔ 158	Macro 30
	159 ⇔ 163	Macro 31
	164 ⇔ 168	Macro 32
	169 ⇔ 173	Macro 33
	174 ⇔ 178	Macro 34
	179 ⇔ 183	Macro 35
	184 ⇔ 188	Macro 36
	189 ⇔ 193	Macro 37
	194 ⇔ 198	Macro 38
	199 ⇔ 203	Macro 39
	204 ⇔ 208	Macro 40
	209 ⇔ 213	Macro 41
	214 ⇔ 218	Macro 42
	219 ⇔ 223	Macro 43
	224 ⇔ 228	Macro 44
	229 ⇔ 233	Macro 45
	234 ⇔ 238	Macro 46
	239 ⇔ 243	Macro 47
	244 ⇔ 248	Macro 48
249 ⇔ 255	Macro 49	

STAGE 2 [DMX CONTROL MODE 2]

CHANNEL	VALUE	FUNCTION
1	000 ⇔ 004	Module 1 No Function
	005 ⇔ 034	Red
	035 ⇔ 064	Green
	065 ⇔ 094	Blue
	095 ⇔ 124	Yellow
	125 ⇔ 154	Cyan
	155 ⇔ 184	Magenta
	185 ⇔ 255	Pink-White
2	000 ⇔ 004	Module 2 No Function
	005 ⇔ 034	Red
	035 ⇔ 064	Green
	065 ⇔ 094	Blue
	095 ⇔ 124	Yellow
	125 ⇔ 154	Cyan
	155 ⇔ 184	Magenta
	185 ⇔ 255	Pink-White
3	000 ⇔ 004	Module 3 No Function
	005 ⇔ 034	Red
	035 ⇔ 064	Green
	065 ⇔ 094	Blue
	095 ⇔ 124	Yellow
	125 ⇔ 154	Cyan
	155 ⇔ 184	Magenta
	185 ⇔ 255	Pink-White
4		No Function
5		
6	000 ⇔ 004	Strobe No Function
	005 ⇔ 255	0 ⇔ 2 Hz
7	000 ⇔ 244	Mode Selection DMX MODE 1 (only when channels 1-7 = 0)
	245 ⇔ 255	DMX MODE 2
8	ID Address Selection	See Channel 8 (ID address selection) on page 21 under DMX Control Mode 1
9		No Function
10		

ARC 1

CHANNEL	VALUE	FUNCTION
1	000 ⇔ 004	Red
	005 ⇔ 255	No Function 0 ⇔ 100%
2	000 ⇔ 004	Green
	005 ⇔ 255	No Function 0 ⇔ 100%
3	000 ⇔ 004	Blue
	005 ⇔ 255	No Function 0 ⇔ 100%

ARC 1+D

CHANNEL	VALUE	FUNCTION
1	000 ⇔ 004	Dimmer
	005 ⇔ 255	No Function 0 ⇔ 100%
2	000 ⇔ 004	Red
	005 ⇔ 255	No Function 0 ⇔ 100%
3	000 ⇔ 004	Green
	005 ⇔ 255	No Function 0 ⇔ 100%
4	000 ⇔ 004	Blue
	005 ⇔ 255	No Function 0 ⇔ 100%

PIXEL

CHANNEL	VALUE	FUNCTION
1	000 ⇔ 004	Block 1 Red
	005 ⇔ 255	No Function 0 ⇔ 100%
2	000 ⇔ 004	Block 1 Green
	005 ⇔ 255	No Function 0 ⇔ 100%
3	000 ⇔ 004	Block 1 Blue
	005 ⇔ 255	No Function 0 ⇔ 100%
4	000 ⇔ 004	Block 2 Red
	005 ⇔ 255	No Function 0 ⇔ 100%
5	000 ⇔ 004	Block 2 Green
	005 ⇔ 255	No Function 0 ⇔ 100%
6	000 ⇔ 004	Block 2 Blue
	005 ⇔ 255	No Function 0 ⇔ 100%
7	000 ⇔ 004	Block 3 Red
	005 ⇔ 255	No Function 0 ⇔ 100%
8	000 ⇔ 004	Block 3 Green
	005 ⇔ 255	No Function 0 ⇔ 100%
9	000 ⇔ 004	Block 3 Blue
	005 ⇔ 255	No Function 0 ⇔ 100%

Important Notes about STAGE 1+STAGE 2 [DMX Mode 1]

RED, GREEN AND BLUE SELECTION

- Channels 1, 2 and 3 control overall intensity of each respective color.
- Channels 1, 2 and 3 can be combined to create an unlimited range of colors.
- Channels 1, 2 and 3 have priority over channels 4 ~ 7.

YELLOW, CYAN, MAGENTA AND WHITE

- These colors cannot be mixed.
- When levels are raised on more than one of these channels, the lowest channel number will have priority.

STROBE

- Strobe occurs at every channel with exception to programs on channel 9 and 12.
- Speed of the strobe is adjustable from 0 ~ 20 Hz.

MODE SELECTION

- Channel 9 values 5 ~ 244 provide mode selection and can only be activated while channels 1 ~ 7 are at value 0. When channel 9 is at 245 ~ 255, channels 1 ~ 7 can be any value.
- When Color-Cycle mode 4 is selected, channel 11 controls the speed.

ID ADDRESS SELECTION

- Use channel 10 to select ID addressed fixtures.
- Each independent DMX address can have up to 66 ID addressed fixtures.
- ID address "0" allows control of all fixtures simultaneously.

MODULE SELECTION

- Provides individual control of the three LED modules in each fixture.
- Channel 11 has priority over channel 12.

EFFECT MACRO

- These are pre-programmed color patterns and module chases.
- Channel 12 has priority over channels (1 ~ 7).
- Channel 12 has priority over channel 11 if first activated.

Important Notes about STAGE 1+ STAGE 2 [DMX Mode 2]

MODULE SELECTION

- Simplified control of modules using channels 1, 2 & 3.

STROBE

- Controls the strobe of channels 1, 2 and 3 simultaneously.
- Speed of the strobe is adjustable from 0 to 20 Hz.

MODE SELECTION

- Use channel 9 to switch between DMX mode 1 and DMX mode 2.

ID ADDRESS SELECTION

- Channel 10 selects ID addressed fixtures.

Contact Us

World Wide

General Information Chauvet Lighting
3000 North 29th Court
Hollywood, FL 33020
voice: 954.929.1115
fax: 954.929.5560
toll free: 800.762.1084

Technical Support Chauvet Lighting
3000 North 29th Court
Hollywood, FL 33020
voice: 954.929.1115 **(Press 4)**
fax: 954.929.5560 **(Attention: Service)**

World Wide Web www.chauvetlighting.com

5. APPENDIX

DMX Primer

There are 512 channels in a DMX connection. Channels may be assigned in any manner. A fixture capable of receiving DMX will require one or a number of sequential channels. The user must assign a starting address on the fixture that indicates the first channel reserved in the controller. There are many different types of DMX controllable fixtures and they all may vary in the total number of channels required. Choosing a start address should be planned in advance. Channels should never overlap. If they do, this will result in erratic operation of the fixtures whose starting address is set incorrectly. You can however, control multiple fixtures of the same type using the same starting address as long as the intended result is that of unison movement or operation. In other words, the fixtures will be slaved together and all respond exactly the same.

DMX fixtures are designed to receive data through a serial Daisy Chain. A Daisy Chain connection is where the DATA OUT of one fixture connects to the DATA IN of the next fixture. The order in which the fixtures are connected is not important and has no effect on how a controller communicates to each fixture. Use an order that provides for the easiest and most direct cabling. Connect fixtures using shielded two conductor twisted pair cable with three pin XLR male to female connectors. The shield connection is pin 1, while pin 2 is Data Negative (S-) and pin 3 is Data positive (S+). CHAUVET carries 3-pin XLR DMX compliant cables, DMX-10 (33'), DMX-4.5 (15') and DMX-1.5 (5')

General Maintenance

To maintain optimum performance and minimize wear, fixtures should be cleaned frequently. Usage and environment are contributing factors in determining frequency. As a general rule, fixtures should be cleaned at least twice a month. Dust build up reduces light output performance and can cause overheating. This can lead to reduced lamp life and increased mechanical wear. Be sure to power off fixture before conducting maintenance.

- Unplug fixture from power.
- Use a vacuum or air compressor and a soft brush to remove dust collected on external vents and internal components.
- Clean all glass when the fixture is cold with a mild solution of glass cleaner or Isopropyl Alcohol and a soft lint free cotton cloth or lens tissue.
- Apply solution to the cloth or tissue and drag dirt and grime to the outside of the lens.
- Gently polish optical surfaces until they are free of haze and lint.

The cleaning of internal and external optical lenses and/or mirrors must be carried out periodically to optimize light output. Cleaning frequency depends on the environment in which the fixture operates. Damp, smoky or particularly dirty surroundings can cause greater accumulation of dirt on the unit's optics. Clean with soft cloth using normal glass cleaning fluid. Clean the external optics at least every 20 days. Clean the internal optics at least every 30/60 days.

Caution ***Always dry the parts carefully after cleaning them.***

Caution ***Never spin a fan using compressed air.***

Returns Procedure

Returned merchandise must be sent prepaid and in the original packing, call tags will not be issued. Package must be clearly labeled with a Return Merchandise Authorization Number (RA #). Products returned without an RMA # will be refused. Call CHAUVET and request RA # prior to shipping the fixture. Be prepared to provide the model number, serial number and a brief description of the cause for the return. Be sure to properly pack fixture, any shipping damage resulting from inadequate packaging is the customer's responsibility. CHAUVET reserves the right to use its own discretion to repair or replace product(s). As a suggestion, proper UPS packing or double-boxing is always a safe method to use.

Note: If you are given an RMA #, please include the following information on a piece of paper inside the box:

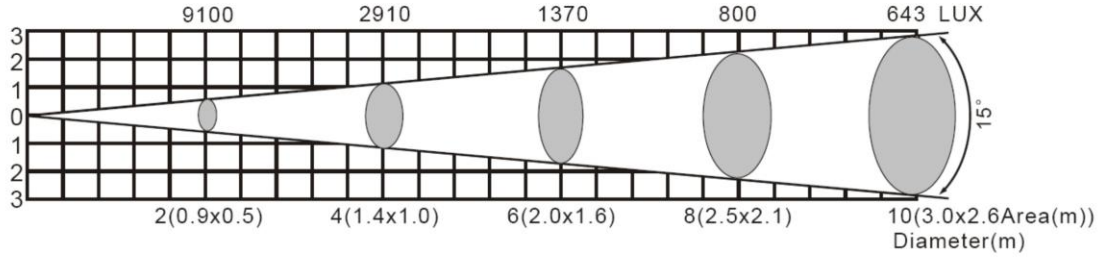
- 1) Your name
- 2) Your address
- 3) Your phone number
- 4) The RMA #
- 5) A brief description of the symptoms

Claims

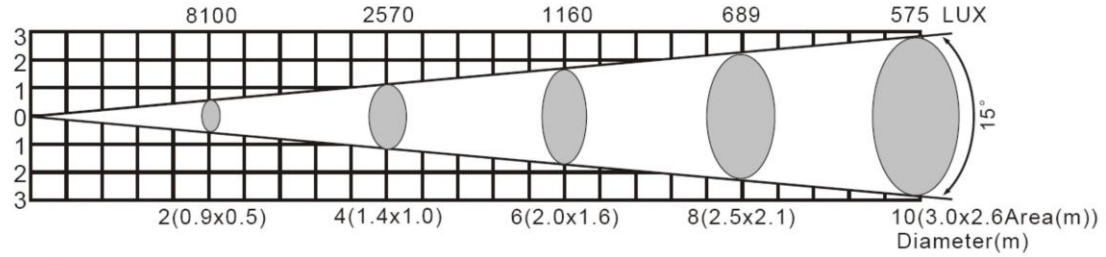
Damage incurred in shipping is the responsibility of the shipper; therefore the damage must be reported to the carrier upon receipt of merchandise. It is the customer's responsibility to notify and submit claims with the shipper in the event that a fixture is damaged due to shipping. Any other claim for items such as missing component/part, damage not related to shipping, and concealed damage, must be made within seven (7) days of receiving merchandise.

Photometric

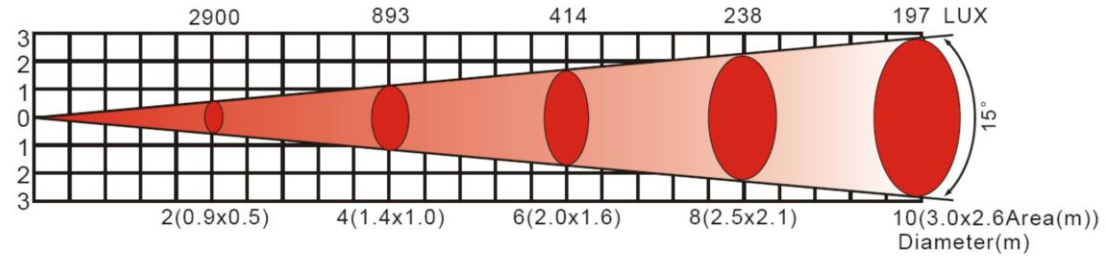
RGB 100%



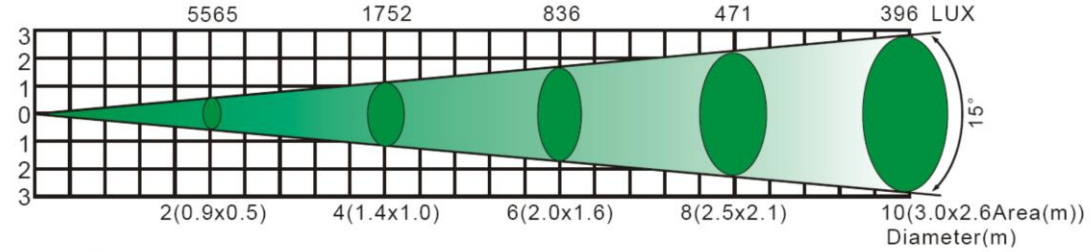
WHITE



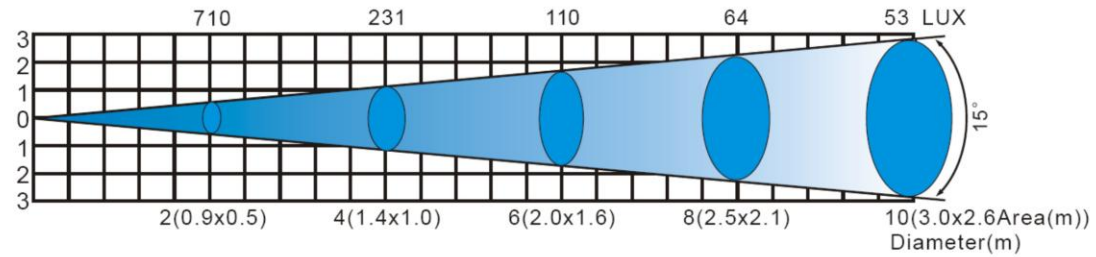
RED



GREEN



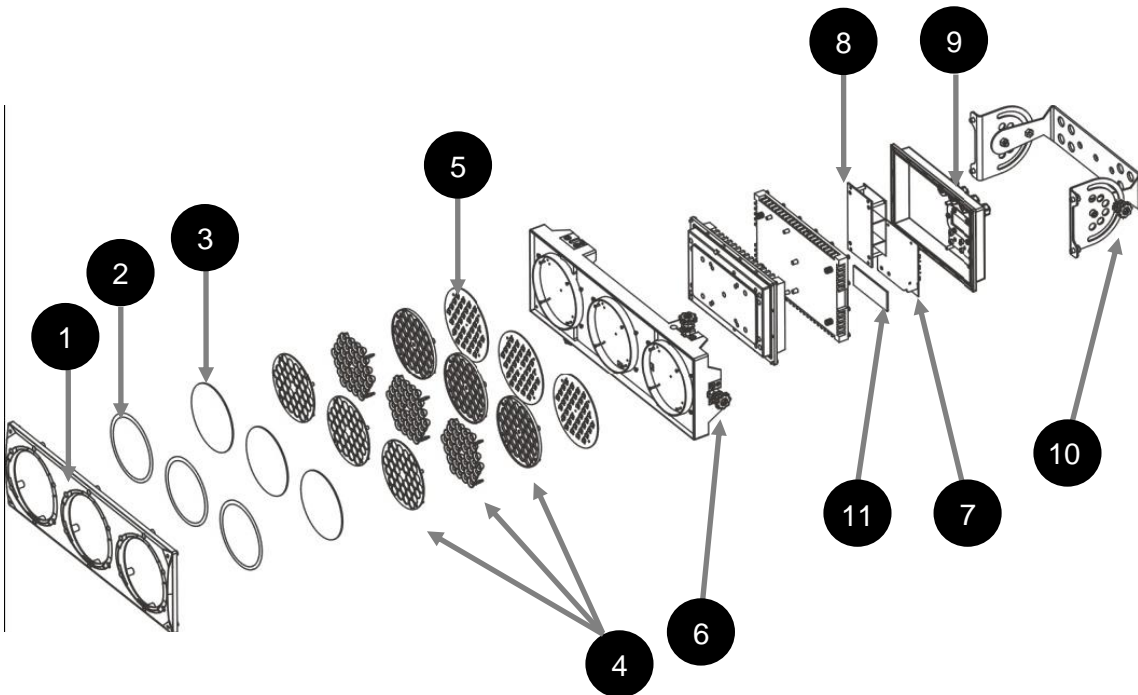
BLUE



COLORado™ 6 Service Maintenance Guide

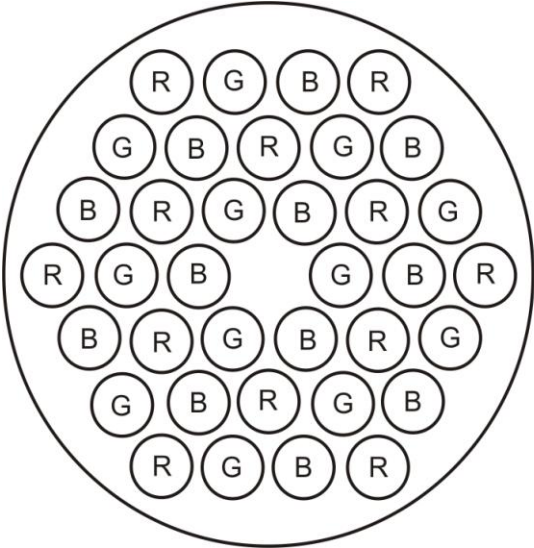
SYMPTOM(S)	POSSIBLE SOLUTION(S)
1 or more LEDs are not illuminating	<ul style="list-style-type: none"> • Clean the fixture regularly to avoid any such failure. This fixture is convection cooled, which means that if the surface is kept clean and free of debris, then proper cooling will be allowed to occur • An LED may have failed, resulting in an open circuit. In this event, all of the red, green, or blue in a single module will no longer illuminate. This does not mean that all of the LEDs have failed, but the circuit is wired in series. • An LED may have failed, resulting in a short circuit. In this event, only the single LED which has failed will no longer function. • <i>Note: In the event of LED failure, a replacement LED PCB assembly may be purchased directly from Chauvet Part#: P222-C1LEDPC</i>
1 or more LEDs are producing very low output	<ul style="list-style-type: none"> • Check that the lens assembly is installed properly. If the lens assembly is not aligned properly over the LEDs, then they will not project fully <i>See section on Lens Assembly Installation</i> • <i>Note: In the event of LED failure, a replacement LED PCB assembly may be purchased directly from Chauvet Part#: P222-C1LEDPC</i>
Breaker/Fuse keeps blowing	<ul style="list-style-type: none"> • Check total load placed on the electrical circuit • Check for a short in the electrical wiring: internal and/or external
Device has no power	<ul style="list-style-type: none"> • Check device's fuse (internal) • Check for power on Mains • Check cable connections The COLORado™ IP66 cables must be firmly connected for operation • Check for manual power off from the display by pressing and holding down the {EXIT} button for more than 3 seconds • <i>Note: In the event of autoswitching transformer failure, the unit can be sent in for repair; however, a replacement part can be ordered directly from Chauvet Part#: P140-C6ELTR</i>
Fixture is not responding to DMX	<ul style="list-style-type: none"> • Check Control Panel settings for correct addressing • Check DMX cables • Check polarity switch settings on the controller • Check cable connections The COLORado™ IP66 cables must be firmly connected for operation • Call service technician • <i>Note: In the event of Master PCB failure, a replacement PCB can be ordered directly from Chauvet Part#: P170-C6MPCB</i>
Loss of signal	<ul style="list-style-type: none"> • Use only DMX cables • Install terminator • <i>Note: Keep DMX cables separated from power cables or black lights</i>
COLOR-CON Controller does not function, or does not function properly	<ul style="list-style-type: none"> • Make sure connector is firmly connected to device • The COLORado™ fixture must be in the correct mode in order to properly respond to the COLOR-CON controller. The correct mode is "CON" under "RUN" in the onboard Control Panel
Stand alone operation	<ul style="list-style-type: none"> • This fixture has built-in, automatic programs that may be triggered from the onboard Control Panel
Display reading: "warning heat"	<ul style="list-style-type: none"> • The COLORado™ 6 features a thermal protection that will be implemented in the event of over-heating. This can occur if the fixture is not in an ideal location for the convection cooling to be effective

Exploded View



ITEM	DESCRIPTION	PART NUMBER
1	Front cover	P111-CDABFC
2	Rubber seal	P290-CDALENS18
3	Clear, glass lens cover	P222-CDALD
4	LED lens assembly	P140-CDALTR
5	LED metal-core PCB	P172-CDADRVP
6	Array rigging attachment knob	P170-CDAPDMX
7	Master PCB	P170-CDAMAS
8	Electronic Power Supply	P111-CDABMC
9	Metal strain relief	P111-CDARKT
10	Knob for bracket adjustment	P111-CDAKNOB
11	LED Driver PCB	

LED PCB Alignment/Layout Diagram



Symbol	Description
R	Red LED
G	Green LED
B	Blue LED

Each color LED is broken down into individual circuits (red-circuit #1, blue-circuit #2, green-circuit #3). If a single LED fails "open", then the entire circuit will stop functioning, because they are wired in "series". If a single LED fails in a "short", then only that single LED will stop functioning, while the rest of the circuit will continue to operate.

Technical Specifications

WEIGHT & DIMENSIONS

Length.....	22.5 in (570 mm)
Width.....	8.3 in (210 mm)
Height.....	7.5 in (190 mm)
Weight.....	28.7 lbs (13 kg)

POWER

Autoswitching.....	100~240VAC, 50/60 Hz
Power Consumption max @ 120 V.....	179.4 W, 1.43 A
Power Consumption max @ 230 V.....	178.9 W, 0.78 A
Inrush Power@ 120 V.....	0.75 A
Inrush Power@ 230 V.....	0.81 A
Power Factor@ 120 V.....	1.00
Power Factor@ 230 V.....	0.99
Additional Power Output.....	8 units max @ 120 V, 16 units max @ 240 V

LIGHT SOURCE

LED.....	1 W, 350 mA, 108 (36 Red, 36 Blue, 36 Green) 50,000 hrs
----------	---

PHOTO OPTIC (WITH INCLUDED 15° LENSES)

Luminance @ 1 m.....	23,457 lux
Beam Angle.....	17° x 12°
Field Angle.....	30° x 24°

COOLING.....	Convection Cooled
--------------	-------------------

CONTROL & PROGRAMMING

Data input.....	IP66 connector with adapter for locking 3-pin XLR male socket
Data output.....	IP66 connector with adapter for locking 3-pin XLR female socket
Data pin configuration.....	pin 1 shield, pin 2 (-), pin 3 (+)
Protocols.....	USITT DMX512-A
DMX Channels.....	User Configurable: 3, 4, 9, 10, or 12 channels

STANDARD ORDERING INFORMATION

COLORado™ 6.....	COLORADO6
------------------	-----------

SPARE PARTS ORDERING INFORMATION

Edison Power Adapter (Part).....	P111-C3PADTP
Male DMX input COLORado™ adapter (Part).....	P111-C3MDMX
Female DMX output COLORado™ adapter (Part).....	P111-C3FDMX
Electronic Transformer (Part).....	P140-C6ELTR
Master PCB (Part).....	P170-C6PCB
LED Metal-Core PCB: assembled (Part).....	P222-C1LEDPC
Knob for Bracket Adjustment (Part).....	P100-C36NOB
LED Clear Plastic Cover (Part).....	P100-COL3CVR
Plastic seal for Wires (Part).....	P111-WTRCNN

OPTIONS

COLORado™ Controller.....	COLOR-CON
10° Optical Lens Assembly.....	CLENS1036
30° Optical Lens Assembly.....	CLENS3036
16.4 ft (5 m) power extension cable.....	IP5POWER
16.4 ft (5 m) signal extension cable.....	IP5SIG

WARRANTY INFORMATION

Warranty.....	2-year limited warranty
---------------	-------------------------