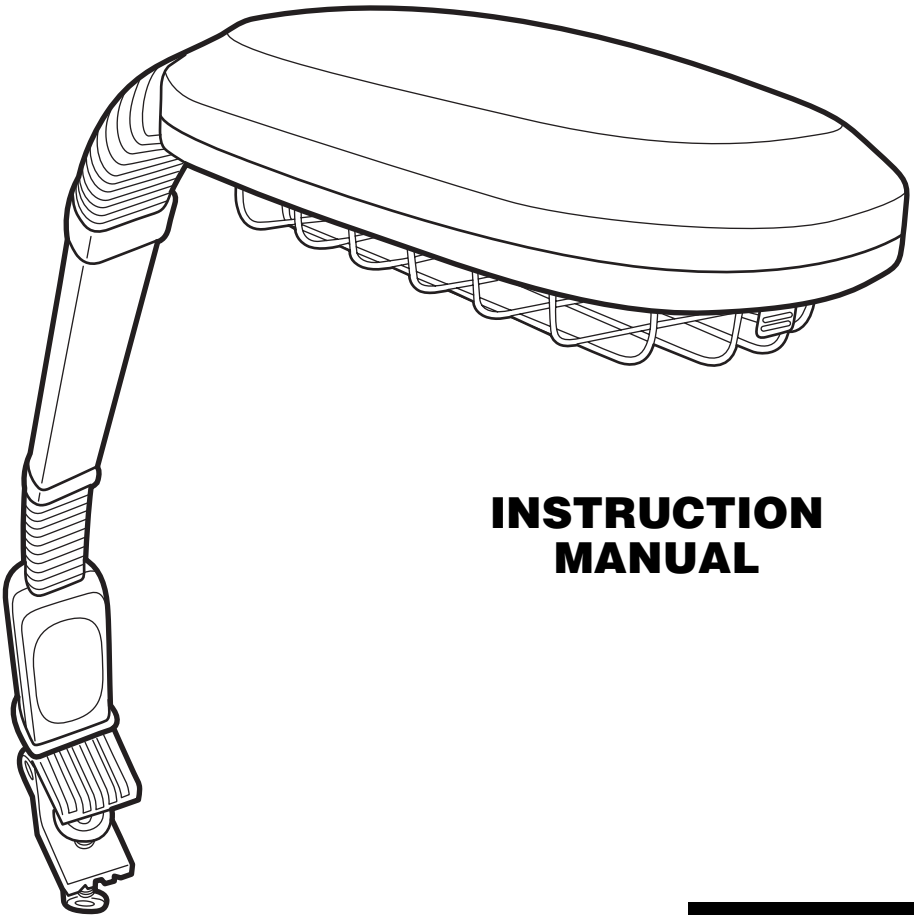


verilux[®]
LIFE IN A BETTER LIGHT™

**Natural Spectrum[®]
ShopLight™**



**INSTRUCTION
MANUAL**

VC01HH1

Important Safety Instructions

SAVE THESE INSTRUCTIONS

Thank you for purchasing the Verilux® Natural Spectrum® ShopLight™.

PLEASE READ THE FOLLOWING SAFETY INFORMATION BEFORE USING.

To reduce the risk of fire, electrical shock, or injury to persons:

- Do NOT dismantle.
- Do NOT alter power cord.
- Turn off/unplug and allow to cool before replacing bulb or cleaning.
- For indoor use only.
- This portable lamp has a polarized plug (one blade is wider than the other). As a safety feature, this plug will fit in a polarized outlet only one way. If the plug does not fit fully in the outlet, reverse the plug. If it still does not fit, contact a qualified electrician. Never use with an extension cord or adapter unless plug can be fully inserted. Do not attempt to defeat this safety feature.
- The Verilux® Natural Spectrum® ShopLight™ is an electrical device.

DO NOT USE NEAR WATER

General Precautions

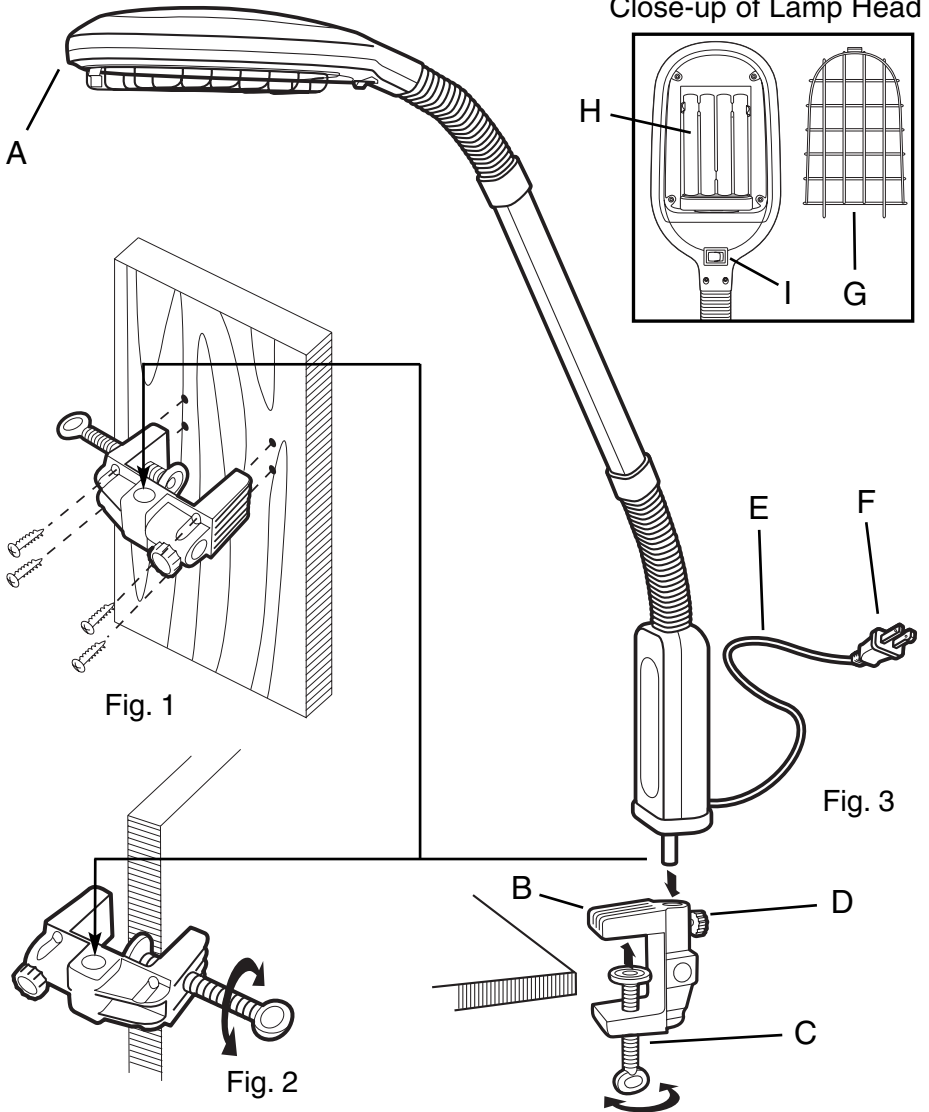
- Before plugging in the Natural Spectrum® ShopLight™, check to make sure the voltage corresponds with the main voltage of your location (120 volts).
- Do not use the Natural Spectrum® ShopLight™ outside or in wet locations such as bathrooms. It is intended for indoor, dry use only.
- Not for use with light dimmers, timers, motion detectors or extension cords.
- This product may cause interference with radios, cordless telephones, or devices that use a wireless remote control, such as televisions. If interference occurs, move the product away from the device, plug the product or device into a different outlet, or move the lamp out of the line of sight of the remote control receiver. This lamp complies with part 18 of FCC.
- The light bulb may become loose during transit. To reinstall the light bulb, see the bulb installation instructions on page 5.
- Do NOT use lubricating agent in assembly; please see troubleshooting section or call Customer Service if you are having difficulty assembling your lamp (1-888-544-4865).
- Unplug from electrical outlet for extended periods of non-use or during lightning storms to ensure protection of the electronics.

Parts Diagram

Main Parts & Controls

- A. Lamp Head
- B. Clamp Assembly
- C. Clamp Screw
- D. Tightening Knob
- E. Power Cord

- F. Polarized Plug
- G. Metal Wire Guard
- H. Bulb
- I. On/Off Switch



Assembly Instructions

READ INSTRUCTIONS CAREFULLY BEFORE SET-UP

1. Remove lamp from box and packaging. Note: Please save original packaging for repacking should you need to return the product.
2. There are three mounting options:
 - Wall Mount:** Using #6 screws (not included) secure the clamp to the wall and then insert the pin into the hole of the clamp. (Fig. 1)
 - Horizontal & Vertical Surface Mount:** Remove clamp and turn the clamp screw counterclockwise until it is open slightly wider than the work surface to which you are attaching it. Clamp fits surfaces up to 1.75" thick. Surface must be a minimum of 1.5" deep for clamp to hold securely. (Figs. 2 & 3)
3. Slide the clamp onto work surface, and turn plastic clamp screw clockwise to tighten securely.
4. Place lamp shaft into clamp assembly and turn tightening knob clockwise to secure.
5. Adjust upper and lower goosenecks as needed to illuminate work surface.
6. Plug lamp into outlet and turn on; if bulb does not illuminate instantly, please refer to the troubleshooting section of this manual.

Care & Cleaning

Your Natural Spectrum® ShopLight™ is made from high quality materials that will last for many years with a minimum of care. You may want to periodically clean the lamp, using a mild non-abrasive cleaner and soft cloth. When cleaning, make sure you have turned off and unplugged the unit, and allowed sufficient time for the unit to cool.

DO NOT USE SOLVENTS OR CLEANERS CONTAINING ABRASIVES, OR AMMONIA BASED CLEANERS

All moisture should be properly wiped away and dried prior to restoring power.

Bulb Removal or Installation

Removal

1. Unplug lamp from power source.
2. Remove metal wire guard by depressing the tab and lifting it out. (See Fig. 1)
3. Firmly hold bulb base (B) and pull bulb (C) from the socket (A) in an outward motion. (See Fig. 2)

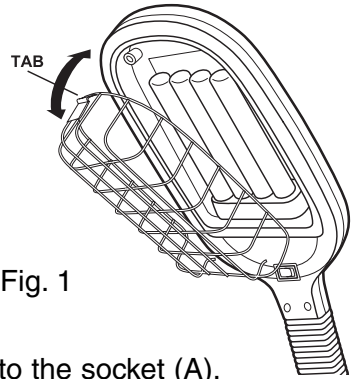


Fig. 1

Installation

1. Unplug lamp from power source.
2. Firmly hold base (B) and push bulb (C) into the socket (A). (See Fig. 2)
3. Be sure bulb is firmly seated in the socket (See Fig. 3 below) and snapped into the metal bulb clip (D).
4. Replace wire guard.
 - Insert metal pegs at bottom of the wire guard into openings near the bulb socket
 - Snap tab into place as shown (Fig. 1)

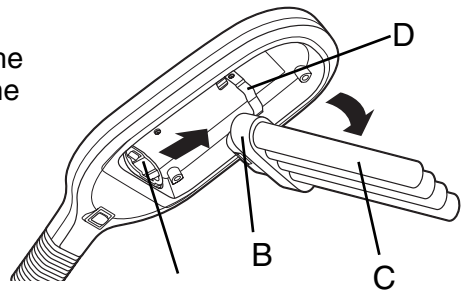


Fig. 2

Correctly seated bulb

Incorrectly seated bulb

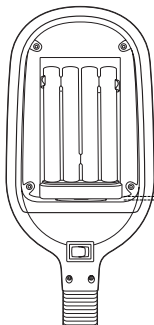
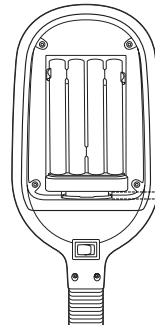


Fig. 3

No gap



Notice large gap

Troubleshooting

Before Requesting Service on Your Verilux® Natural Spectrum® ShopLight™, Please Read the Following:

- Make sure all power connectors, cords, and plugs are inserted fully and securely.
- Be sure the bulb is securely seated into the socket. (See page 5)
- Make sure there is power to the wall outlet or try another outlet.

PROBLEM	CHECK	SOLUTION
Light won't come on	Has the plug come loose?	Insert plug securely into wall outlet.
	Is the bulb old?	Check the bulb for blackening/darkening at the ends (an indicator of bulb life) and replace bulb.
	Is the bulb connected securely to the socket?	Be sure the bulb is securely seated into the socket, repeat the bulb installation process.
Blackening/darkening at ends of bulb	Is the bulb new?	Sometimes when a new bulb is turned on for the first time the tube will darken, but this will fade after a few minutes.
	Is the bulb old?	With older bulbs darkening of the tube indicates end of bulb life. (This doesn't affect operation except to reduce the amount of light available since the phosphor in that area has become inactive). Bulb replacement is recommended.
Light flickers	Has the plug come loose?	Insert plug securely into wall outlet.
	Is the bulb connected securely to the socket?	Be sure the bulb is securely seated into the socket, repeat the bulb installation process.
	Is the lamp connected to a dimmer switch?	Connect lamp plug only to wall outlet without a dimmer switch.