



SOLAR LIGHT WITH WALL MOUNT AND STAKE

Model 90729

ASSEMBLY AND OPERATING INSTRUCTIONS



3491 Mission Oaks Blvd., Camarillo, CA 93011
Visit our Web site at <http://www.harborfreight.com>

Copyright© 2003 by Harbor Freight Tools®. All rights reserved. No portion of this manual or any artwork contained herein may be reproduced in any shape or form without the express written consent of Harbor Freight Tools.

For technical questions and replacement parts, please call 1-800-444-3353

Specifications

Battery	Rechargeable NI-CD 1.2 Volt DC "AA"
Light Dimensions	5-1/4" Dia. x 5-1/2" H
Lens Size	4" Dia. x 3-3/4" H
Stake Size	1-1/4" Dia. x 18" L
Solar Cell	2" x 2"
Photo Cell/Eye	Auto On/ Off
Night Running Time	Approximately 8 hours

Charges all day and lights up at night.

Save This Manual

You will need the manual for the safety warnings and precautions, assembly instructions, operating and maintenance procedures, parts list and diagram. Keep your invoice with this manual. Write the invoice number on the inside of the front cover. Keep the manual and invoice in a safe and dry place for future reference.

Safety Warnings and Precautions

WARNING: When using product, basic safety precautions should always be followed to reduce the risk of personal injury and damage to equipment.

Read all instructions before using this product!

1. **Keep work area clean.** Cluttered areas invite injuries.
2. **Observe work area conditions.** Keep work area well lighted during setup.
3. **Keep children away.** Children must never be allowed in the work area during setup. Do not let them handle or play with the Solar Light.
4. **Store idle equipment.** When not in use, products must be stored in a dry location to inhibit rust. Always lock up products and keep out of reach of children.
5. **Use the right product for the job.** Do not attempt to force a small product to do the work of a larger industrial product. There are certain applications for which this product was designed. Do not modify this product and do not use this product for a purpose for which it was not intended.
6. **Dress properly.** Protective, electrically nonconductive clothes and nonskid footwear are recommended during setup. Wear restrictive hair covering to contain long hair.
7. **Use eye protection.** Always wear ANSI approved impact safety goggles during setup.
8. **Maintain products with care.** Keep products clean for better and safer performance. Follow instructions for changing accessories.
9. **Stay alert.** Watch what you are doing, use common sense. Do not assemble any product when you are tired.

10. **Check for damaged parts.** Before using any product, any part that appears damaged should be carefully checked to determine that it will operate properly and perform its intended function. Check for any broken parts or mounting fixtures; and any other condition that may affect proper operation. Any part that is damaged should be properly repaired or replaced by a qualified technician.
11. **Replacement parts and accessories.** When servicing, use only identical replacement parts. Use of any other parts will void the warranty. Only use accessories intended for use with this product. Approved accessories are available from Harbor Freight Tools.
12. **Do not setup the product if under the influence of alcohol or drugs.** Read warning labels if taking prescription medicine to determine if your judgment or reflexes are impaired while taking drugs. If there is any doubt, do not setup the product.
13. **Maintenance.** For your safety, service and maintenance should be performed regularly by a qualified technician.

Warning: The warnings, cautions, and instructions discussed in this instruction manual cannot cover all possible conditions and situations that may occur. It must be understood by the operator that common sense and caution are factors which cannot be built into this product, but must be supplied by the operator.

Specific Solar Light Warnings

1. The Solar light must be installed in a sunny location where it will receive at least 8 hours of sunlight daily. Do not allow anything to shade or cover the Solar Light, or it will keep the solar panel from absorbing enough sunlight to operate at full capacity.
2. For best lighting results, it is recommended that you do not space Solar Lights more than 12 feet apart. Do not place Solar Lights less than five feet from each other or they may cause the lights to flicker from such a close adjacent light source.
3. Position the Solar Light away from any other night lighting sources as they may interfere with the lights ability to turn on and off automatically.

Unpacking

When unpacking, check to make sure the parts listed on page 7 are included. If any parts are missing or broken, please call Harbor Freight Tools at the number on the cover of this manual as soon as possible.

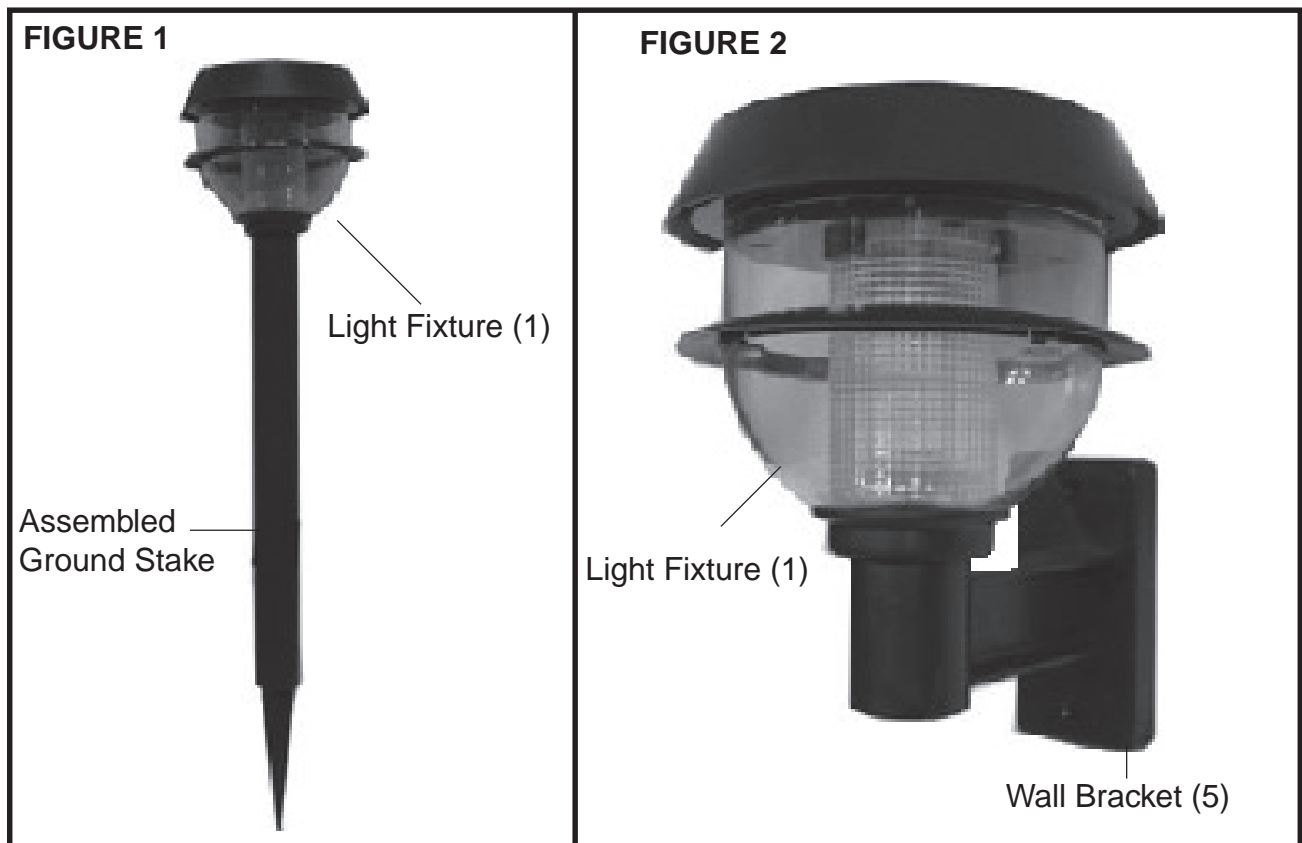
Assembly

Ground Staked Installation

See the Assembly Drawing on page 7.

Note: Ground Stake parts assemble by simply slip-fitting them together.

1. Assemble the Ground Stake by fitting a Stake Connector (3) into the Pointed Ground Stake (4), then add a Ground Stake Tube (2) to the Stake Connector (3). Then, add another Stake Connector (3) and another Ground Stake Tube (2). Lastly, insert the top Ground Stake Tube (2) into the Light Fixture (1).
2. Choose a location away from other night time light sources and dig a hole approximately 6 inches in the ground. If the ground is hard, soak it with water prior to digging.
3. Work the Light stake into the ground without forcing it or hammering it. Forcing or hammering will break the Light Stake and permanently damage the Solar Light. Fill in the dirt around the Stake and make sure it is stable. See **FIGURE 1**.



Wall Bracket Installation

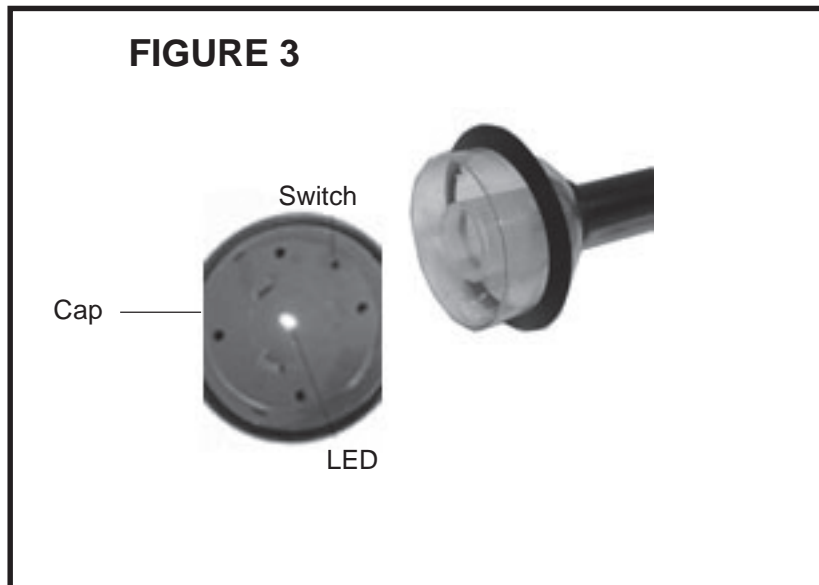
1. At the desired location, use the holes in the Wall Bracket (5) for a template and draw two screw hole circles on the mounting surface. Pre-drill, being careful not to drill into hidden electrical wires or cables. Make sure the wall is solid or has a stud behind the surface that will hold the weight of the Solar Light. Mount the Wall Bracket (5) with the two screws provided.
2. Insert the Light Fixture (1) into the Wall Bracket (5) making sure the light sensor is pointing away from any other night time light source. See **FIGURE 2**.

Operation

1. Remove the Cap and turn the switch to "ON". Replace the Cap. Now charge the Solar Light in direct sunlight for at least 3 sunny days.

This period is called the "Charging Period" because, during the initial three days, the lamp may not illuminate up to its full duration.

2. You will only need to turn on the unit once, and from then on it will switch on and off automatically. See **FIGURE 3**.



Note: We recommend testing the light by waiting until after the 3 day initial charge period and then taking the Solar Light indoors into a dark room to make sure it comes on automatically.

Troubleshooting

Dim Light:

1. The on/off switch contacts may be poor. Turn the switch on and off several times to alleviate the problem.
2. The battery may be low or under charged. Make sure the Solar Light is located in an unobstructed location where it will receive 8 hours of sun. Allow the battery to recharge for 5 full, sunny days. Overcast days will limit performance.
3. Dirty Solar Panel (on top of the Cap). A dirty Solar Panel will not allow the unit to charge, shortening the life of the battery. Clean the Solar Panel regularly with a damp cloth. Do not use detergents or solvents.

No Light:

1. An external light source (i.e. streetlight, porch light, flood light) may prevent the light from turning on. Reposition the Solar Light.
2. Batteries may need recharging.

Maintenance

1. This Solar Light is designed for year-round outdoor usage. If you intend to store it indoors for more than 2-3 days, follow the following protocols:
 - a. Store in a dry location at room temperature.
 - b. During storage, the battery still needs some light to keep it charging so it will not become completely discharged. Store it where it can receive minimal sun or room light.
 - c. During prolonged storage you should switch the power switch to the OFF position.

Note: We do not recommend storing the Solar Light for long periods of time.

2. Make sure the Solar Panel is clean and clear of any dirt or debris. Use a soft, damp cloth to clean the Solar Panel. Do not use bleaches or detergents.

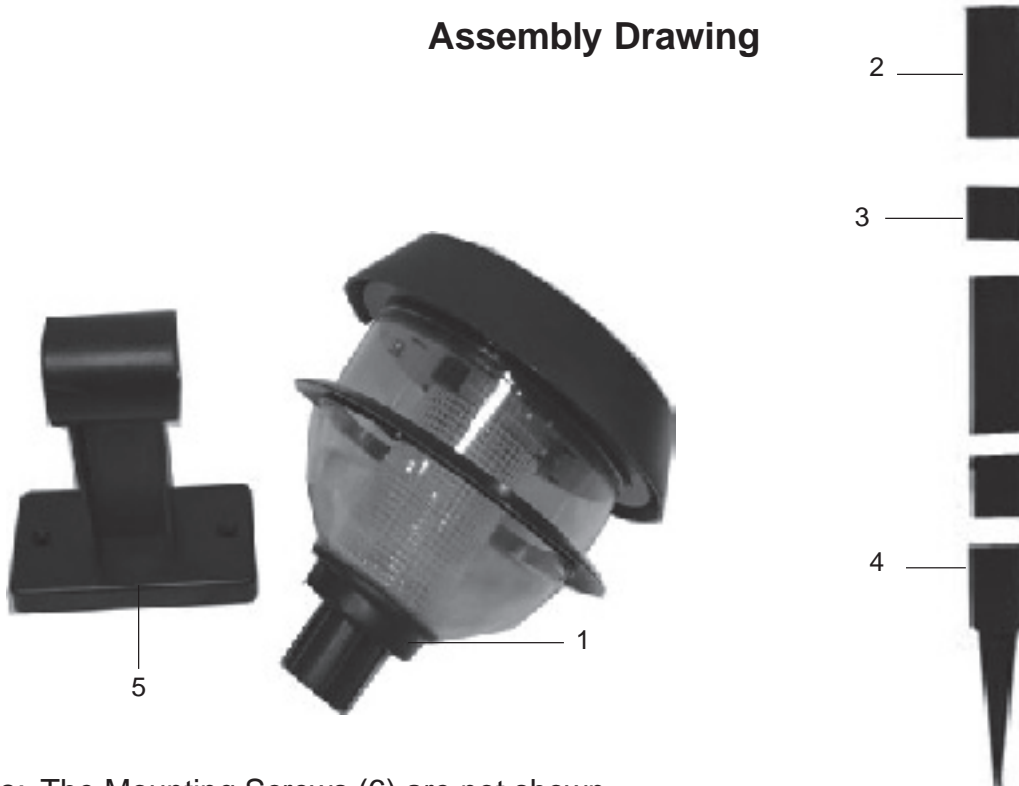
Note: The bulb (LED type) cannot be replaced.

3. This light has delicate wiring inside. The Battery should only be replaced by a qualified service technician. The battery should only be replaced by another "AA" (L6) Ni-Cd, 600 mAh minimum battery.

Parts List

Part No.	Description	Qty.
1	Light Fixture	1
2	Ground Stake Tubes	2
3	Stake Connectors	2
4	Pointed Ground Stake	1
5	Wall Bracket	1
6	Mounting Screws	2

Assembly Drawing



Note: The Mounting Screws (6) are not shown.

PLEASE READ THE FOLLOWING CAREFULLY

THE MANUFACTURER AND/OR DISTRIBUTOR HAS PROVIDED THE PARTS DIAGRAM IN THIS MANUAL AS A REFERENCE TOOL ONLY. NEITHER THE MANUFACTURER NOR DISTRIBUTOR MAKES ANY REPRESENTATION OR WARRANTY OF ANY KIND TO THE BUYER THAT HE OR SHE IS QUALIFIED TO MAKE ANY REPAIRS TO THE PRODUCT OR THAT HE OR SHE IS QUALIFIED TO REPLACE ANY PARTS OF THE PRODUCT. IN FACT, THE MANUFACTURER AND/OR DISTRIBUTOR EXPRESSLY STATES THAT ALL REPAIRS AND PARTS REPLACEMENTS SHOULD BE UNDERTAKEN BY CERTIFIED AND LICENSED TECHNICIANS AND NOT BY THE BUYER. THE BUYER ASSUMES ALL RISK AND LIABILITY ARISING OUT OF HIS OR HER REPAIRS TO THE ORIGINAL PRODUCT OR REPLACEMENT PARTS THERETO, OR ARISING OUT OF HIS OR HER INSTALLATION OF REPLACEMENT PARTS THERETO.

NOTE: Some parts are listed and shown for illustration purposes only and are not available individually as replacement parts.